



US00D642298S

(12) **United States Design Patent**
Feigenbaum

(10) **Patent No.:** **US D642,298 S**
(45) **Date of Patent:** **** Jul. 26, 2011**

(54) **LIGHTING DEVICE**

(75) Inventor: **Marvin Feigenbaum**, New York, NY
(US)

(73) Assignee: **Acolyte Technologies Corporation**,
New York, NY (US)

(**) Term: **14 Years**

(21) Appl. No.: **29/360,804**

(22) Filed: **Apr. 30, 2010**

(51) **LOC (9) Cl.** **26-05**

(52) **U.S. Cl.** **D26/24**

(58) **Field of Classification Search** D26/24,
D26/26, 37, 46, 72, 85, 87, 88, 89, 93, 104,
D26/113, 118, 1, 2, 3, 28, 38, 60; D10/111,
D10/114; D23/366, 367, 368; D13/107,
D13/108, 180, 182; 362/640, 641, 642, 643,
362/644, 652, 653, 655, 657, 249.02, 311.02,
362/800, 806, 555, 567, 116, 122, 123, 145,
362/147, 157, 183, 194, 195, 200

See application file for complete search history.

(56) **References Cited**

U.S. PATENT DOCUMENTS

3,836,766	A	9/1974	Auerbach	
D234,155	S	1/1975	Gellert	
D291,360	S	8/1987	De Vos et al.	
4,860,177	A	8/1989	Simms	
D331,638	S	12/1992	Vamberszky et al.	
5,307,250	A	4/1994	Pearson	
D348,535	S	7/1994	Burnett	
D349,778	S	8/1994	Johnson et al.	
D370,072	S	5/1996	Arden	
D377,229	S	1/1997	Shalvi	
D384,181	S *	9/1997	Borden	D26/110
5,685,097	A	11/1997	Marinov	
D397,233	S	8/1998	Bassford	
D400,406	S	11/1998	House	
6,120,162	A	9/2000	Guerrieri	

D439,355	S	3/2001	Ford	
D442,303	S *	5/2001	Moriyama et al.	D26/24
D443,093	S	5/2001	Chiang	
D443,713	S *	6/2001	Benensohn	D26/72
D446,325	S	8/2001	Guerrieri	
D447,584	S	9/2001	Guerrieri	
D472,339	S	3/2003	Russello et al.	
D482,469	S	11/2003	Guerrieri	
6,641,283	B1	11/2003	Bohler	
D484,270	S *	12/2003	Yiu	D26/89
D485,004	S	1/2004	Olson	
D489,578	S	5/2004	Lai	
D495,818	S	9/2004	Shieh	
6,840,654	B2	1/2005	Guerrieri	

(Continued)

OTHER PUBLICATIONS

New for 2010 Floralytes, Dec. 3, 2009, <http://www.bridaltweet.com/profiles/blogs/new-for-2010-floralytes-accent>, viewed on Nov. 4, 2010.*

(Continued)

Primary Examiner — Angela J Lee

(74) *Attorney, Agent, or Firm* — Gottlieb, Rackman & Reisman, P.C.

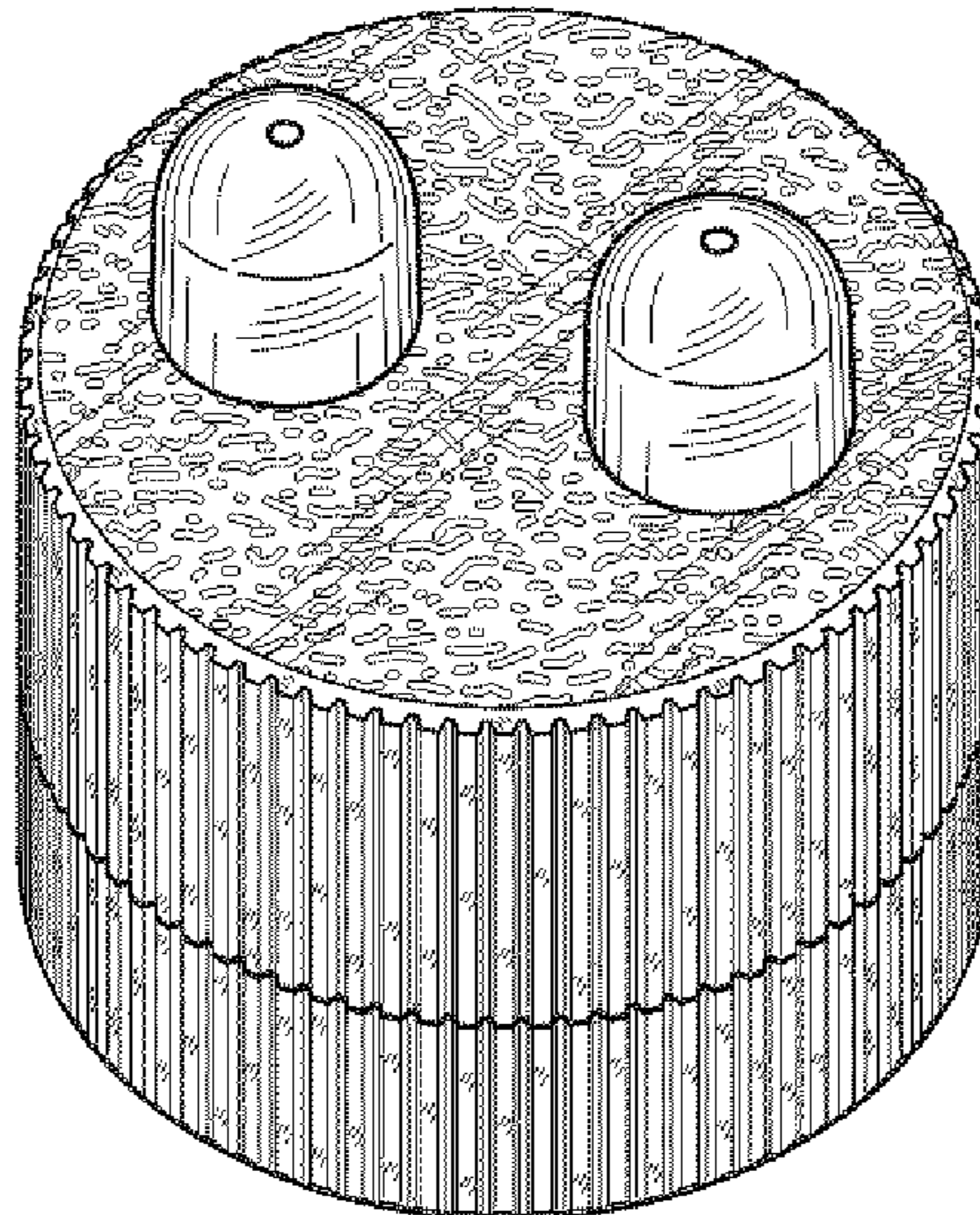
(57) **CLAIM**

The ornamental design for a lighting device, as shown and described.

DESCRIPTION

FIG. 1 is a top, front and right side perspective view of a lighting device showing my new design; FIG. 2 is a front elevational view thereof, the rear elevational view being a mirror image; FIG. 3 is a left side elevational view thereof, the right side elevational view being a mirror image; FIG. 4 is a top plan view thereof; and, FIG. 5 is a bottom plan view thereof.

1 Claim, 2 Drawing Sheets



US D642,298 S

Page 2

U.S. PATENT DOCUMENTS

D501,573 S 2/2005 Benensohn
6,848,807 B2 2/2005 Guerrieri
6,848,808 B2 2/2005 Guerrieri
6,857,771 B2 2/2005 Guerrieri
6,900,735 B2 5/2005 Guerrieri
D510,639 S 10/2005 Brady
D528,996 S 9/2006 Egawa
D535,039 S * 1/2007 Sorokin D26/24
D535,262 S * 1/2007 Saito et al. D13/180
D544,117 S * 6/2007 Coughaine D26/37
D561,924 S * 2/2008 Yiu D26/72
D562,492 S 2/2008 Chen
D573,292 S 7/2008 Zheng et al.
D577,836 S * 9/2008 Engebrigtsen D26/24
D586,491 S 2/2009 Levine
D590,098 S 4/2009 Campbell
D593,224 S * 5/2009 Hanley D26/2
D598,583 S 8/2009 Levine
D603,811 S * 11/2009 Son D13/180
D604,880 S 11/2009 Lovegrove

D610,733 S 2/2010 Chang
D615,231 S 5/2010 van Klinken
D616,590 S 5/2010 Huang et al.
D620,187 S 7/2010 Quadri
2008/0158863 A1 * 7/2008 Tsai 362/183
2010/0271823 A1 * 10/2010 Huang et al. 362/249.02

OTHER PUBLICATIONS

LED Submersible Light, May 6, 2009, http://www.theeventdressers.net/store/product_info.php?products_id=102
&osCsid=Oimna9ub00sbnaj9omgm3si8d4, viewed on Nov. 4, 2010.*
Acolyte Technologies Corporation, Products Catalog, www.888Acolyte.com.
Japanese Patent Office, Office Action in connection with design application serial No. D 2010-013870, rejecting the subject design based on the publication of the product on Amazon.com (see attached photograph) on Jun. 22, 2009.

* cited by examiner

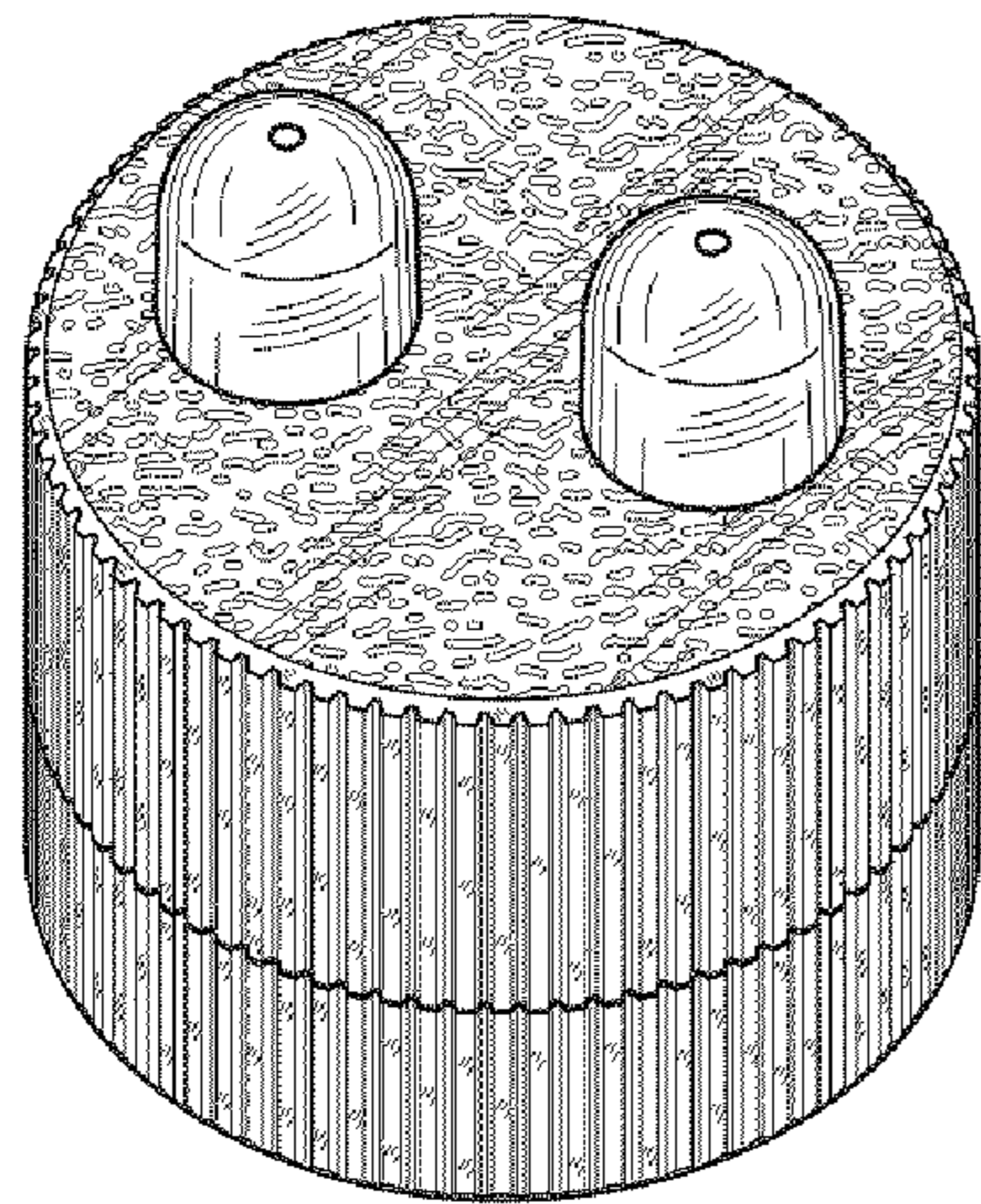


FIG. 1

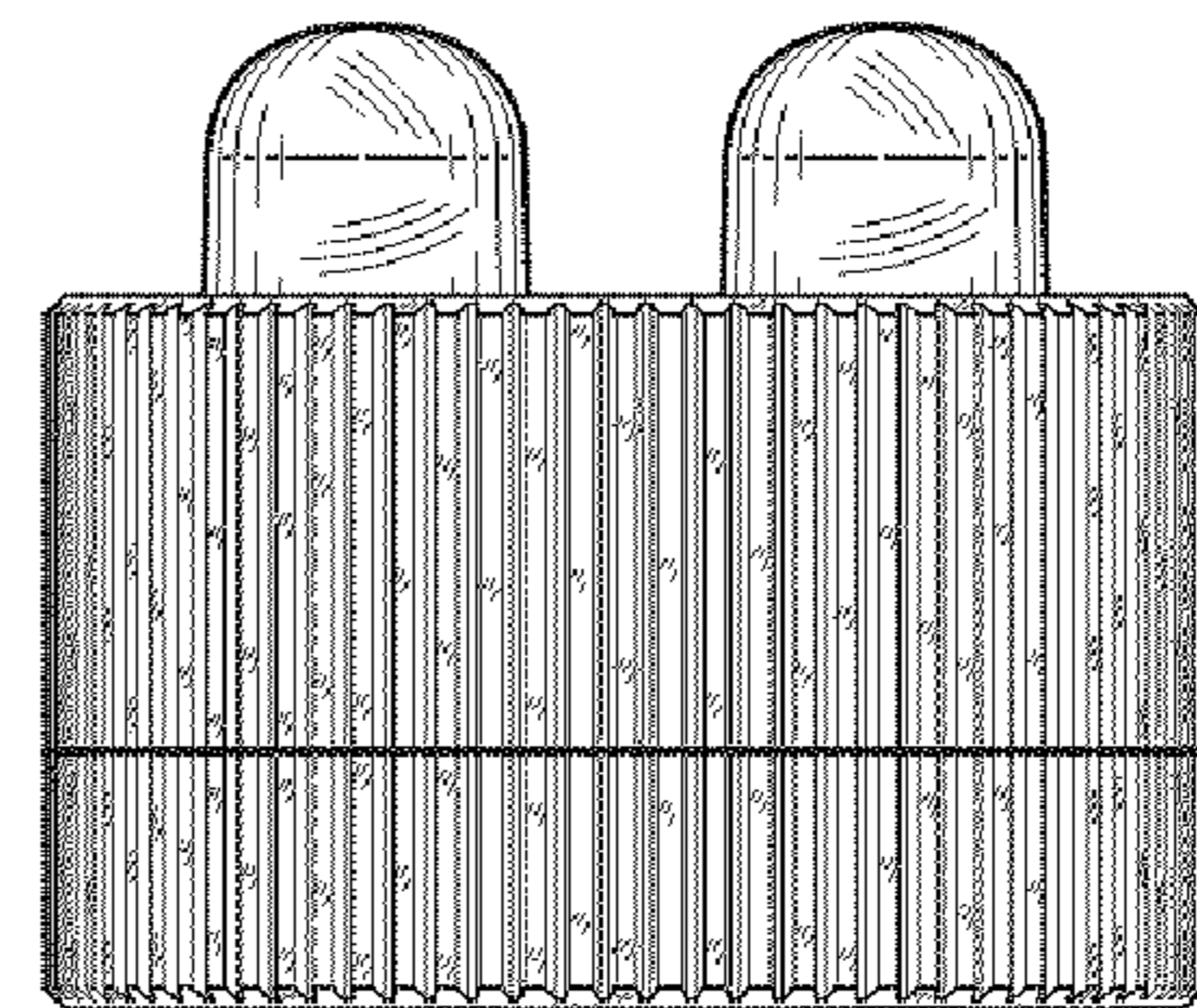


FIG. 2

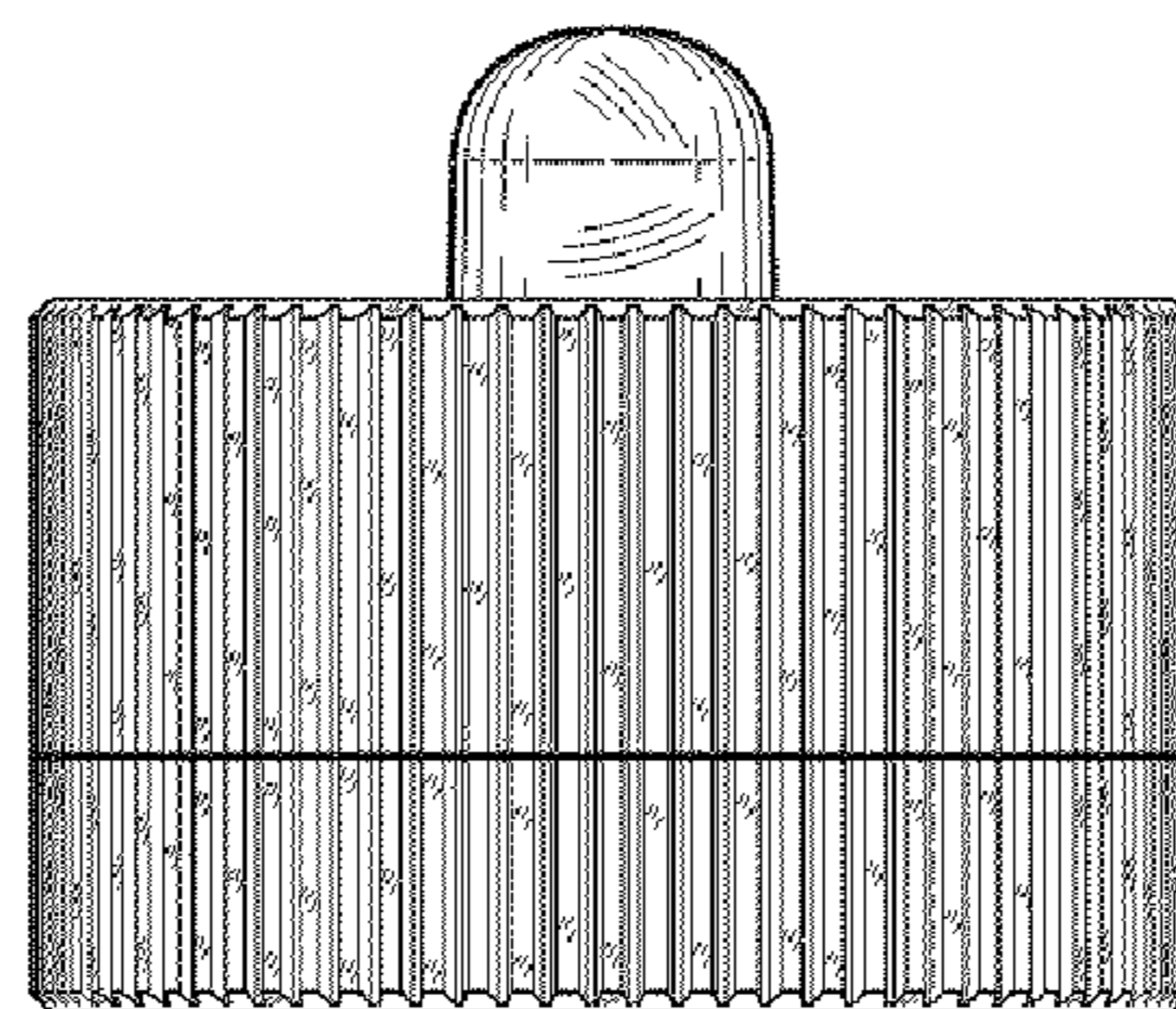


FIG. 3

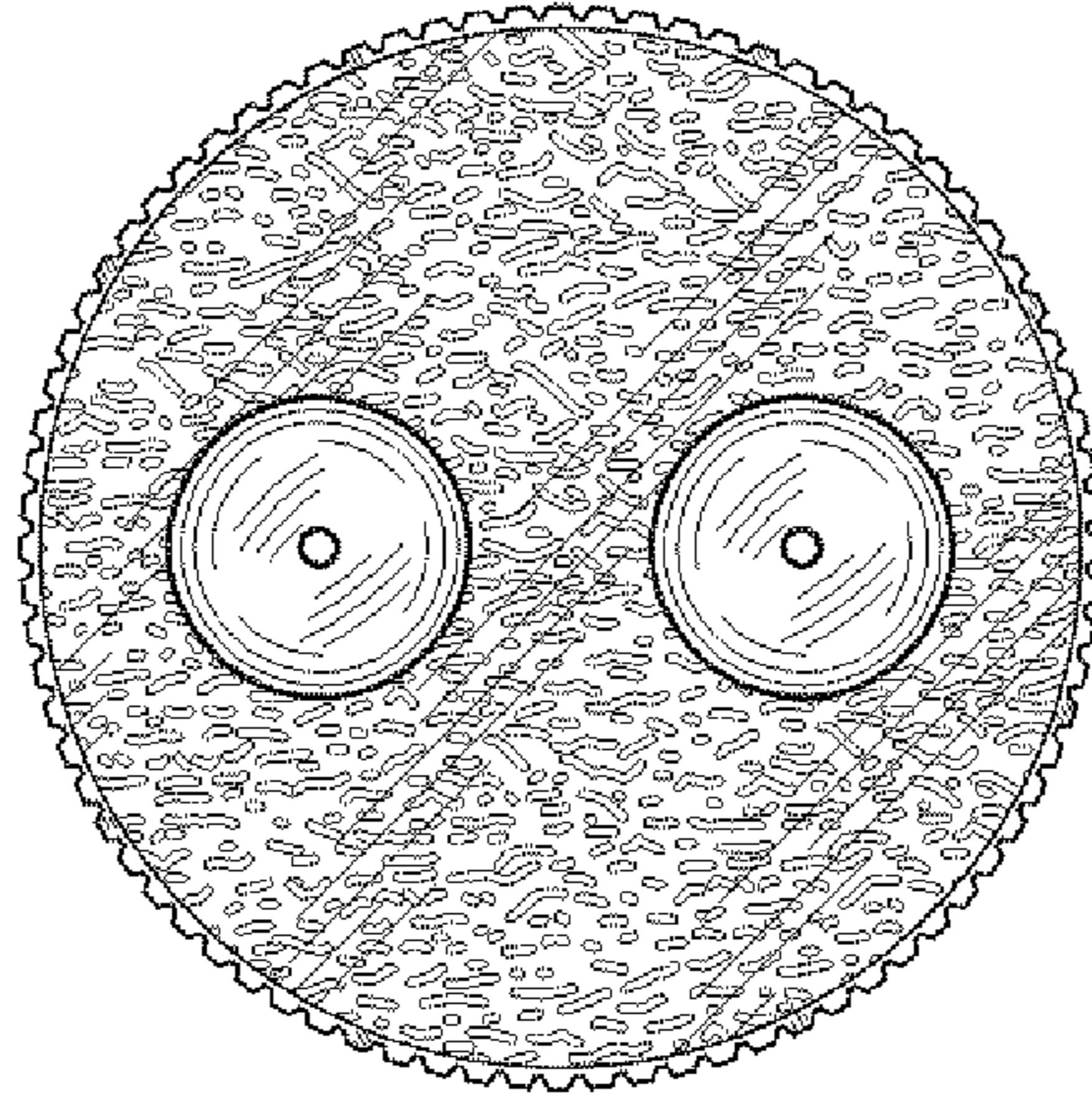


FIG. 4

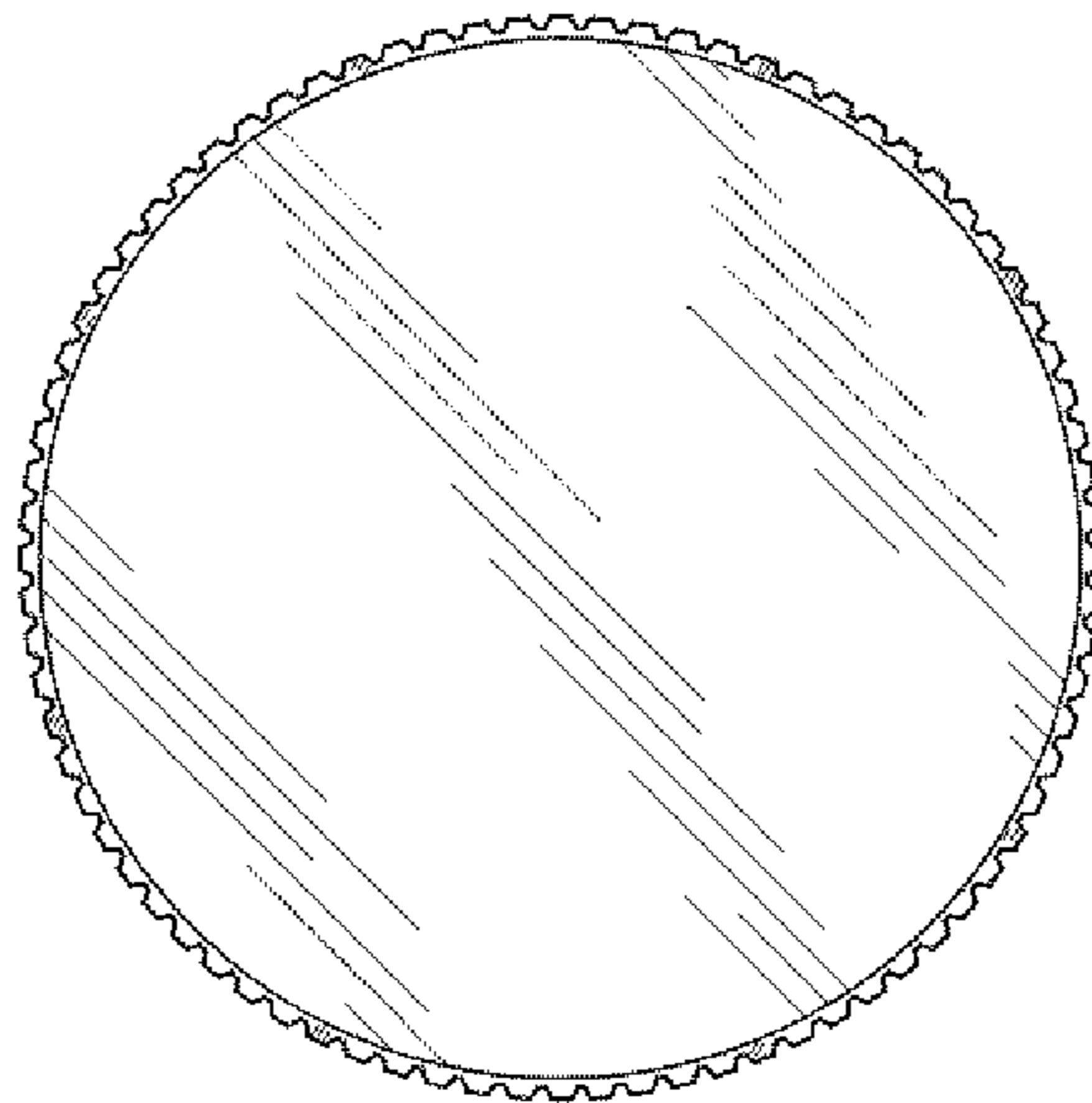


FIG. 5