



US00D642297S

(12) **United States Design Patent**  
**Boschetto et al.**

(10) **Patent No.:** **US D642,297 S**  
(45) **Date of Patent:** **\*\* Jul. 26, 2011**

(54) **COMBINATION CANDLE HOLDER AND PICTURE FRAME**

(56) **References Cited**

(75) Inventors: **Andrew Anthony Boschetto**, Sewell, NJ (US); **Victoria Boschetto**, Sewell, NJ (US)

U.S. PATENT DOCUMENTS  
D83,418 S \* 2/1931 Winchester ..... D26/56  
\* cited by examiner

(73) Assignee: **International Marketing Corporation**, Turnersville, NJ (US)

*Primary Examiner* — T. Chase Nelson  
*Assistant Examiner* — Ania Dworzecka  
(74) *Attorney, Agent, or Firm* — Berenato & White, LLC

(\*\*) Term: **14 Years**

(57) **CLAIM**  
The ornamental design for a combination candle holder and picture frame, as shown and described.

(21) Appl. No.: **29/381,193**

**DESCRIPTION**

(22) Filed: **Dec. 16, 2010**

FIG. 1 is a front, top and left perspective view of the combination candle holder and picture frame or similar article showing our new design;  
FIG. 2 is a front elevational view thereof;  
FIG. 3 is a rear elevational view thereof;  
FIG. 4 is a right side elevational view thereof;  
FIG. 5 is a left side elevational view thereof;  
FIG. 6 is a top plan view thereof; and,  
FIG. 7 is a bottom plan view thereof.

(51) **LOC (9) Cl.** ..... **26-01**

(52) **U.S. Cl.** ..... **D26/10**

(58) **Field of Classification Search** ..... D26/6-23;  
D11/117, 121, 125, 131; 362/448, 161, 159;  
431/297, 295, 294, 293, 292

See application file for complete search history.

**1 Claim, 4 Drawing Sheets**

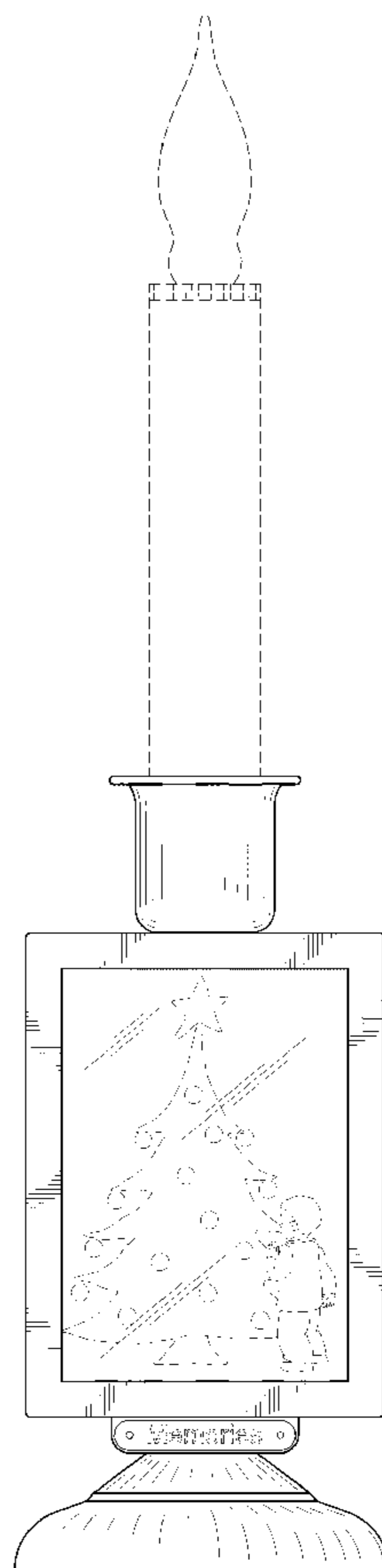


Fig. 1

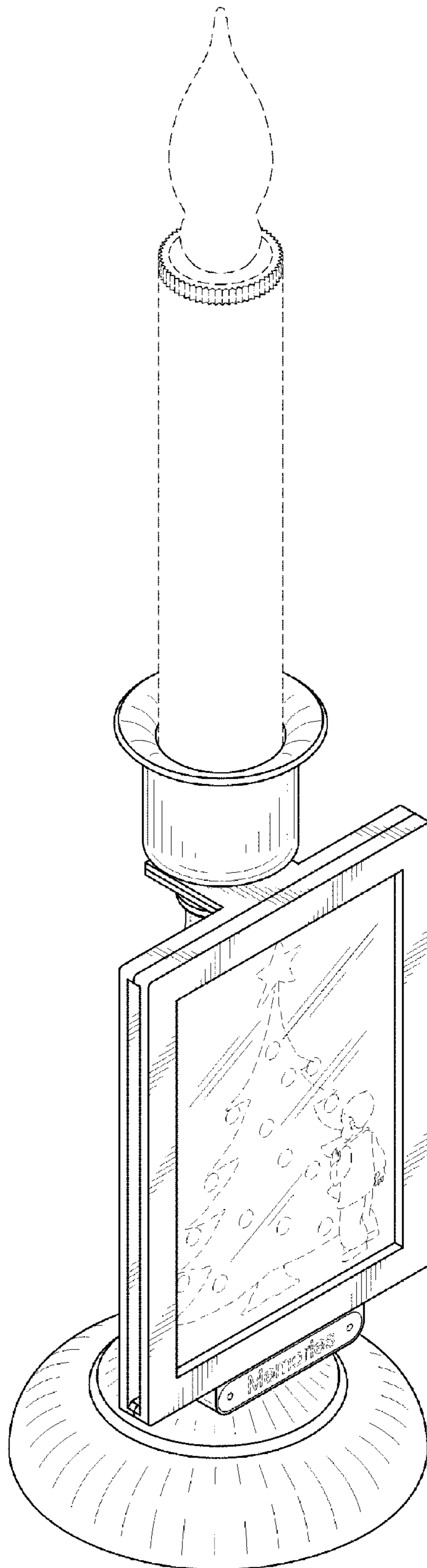


Fig. 2

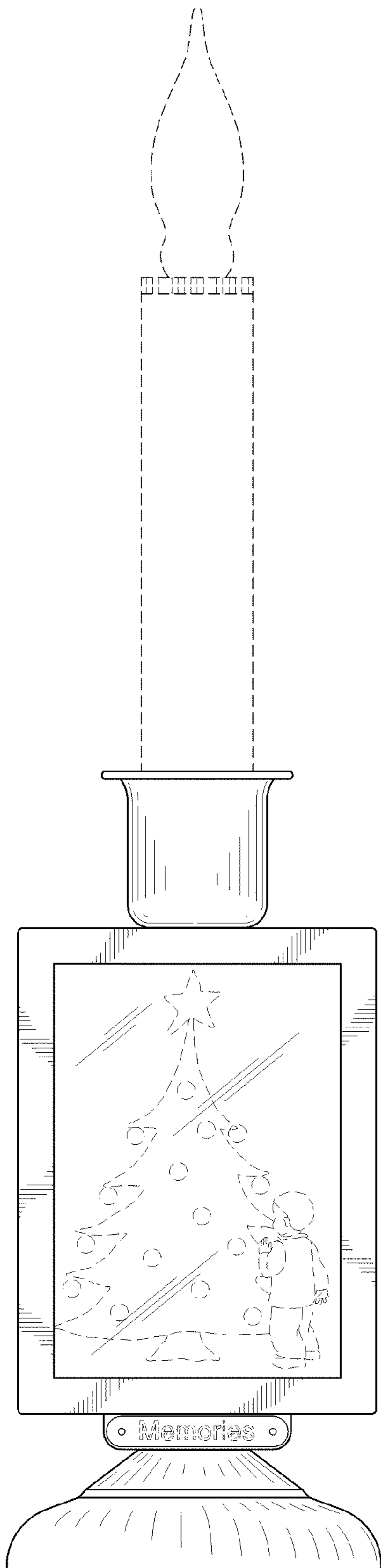


Fig. 3

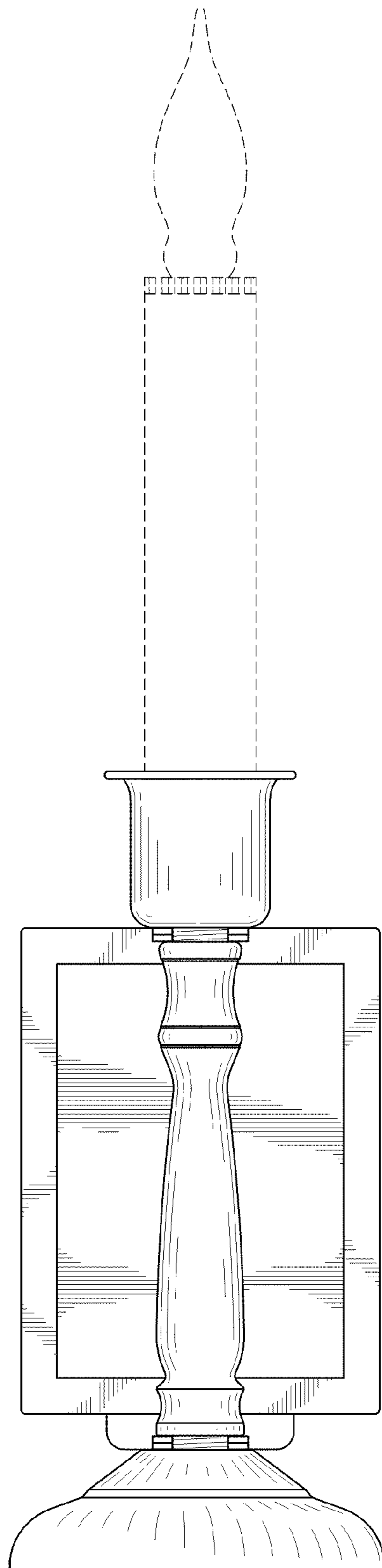


Fig. 4

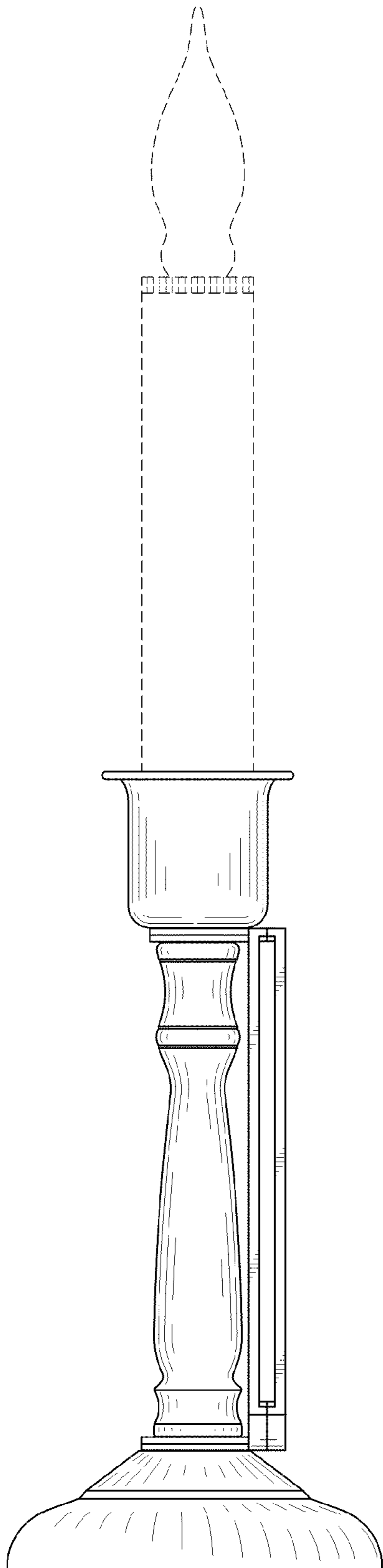


Fig. 5

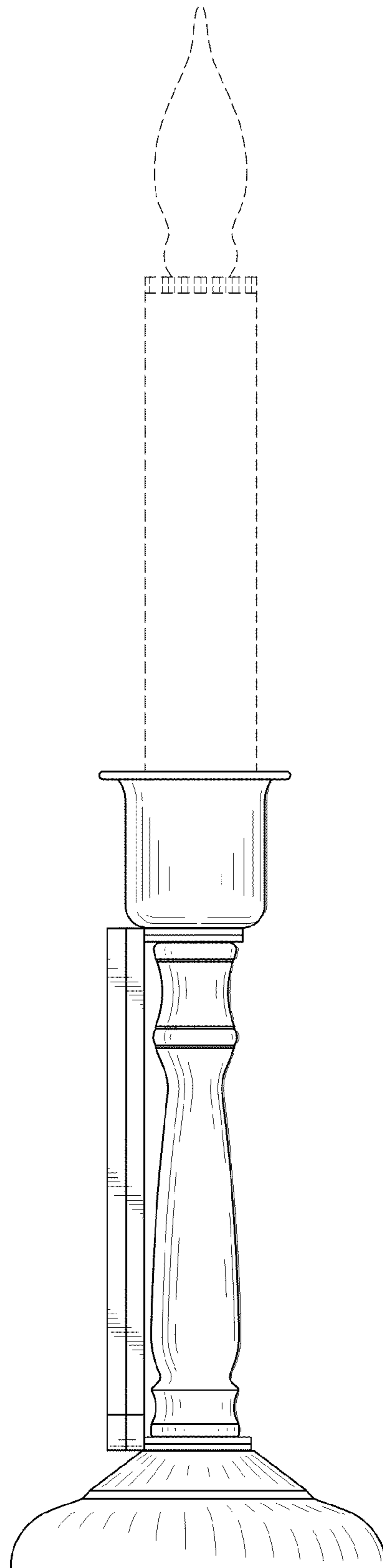


Fig. 6

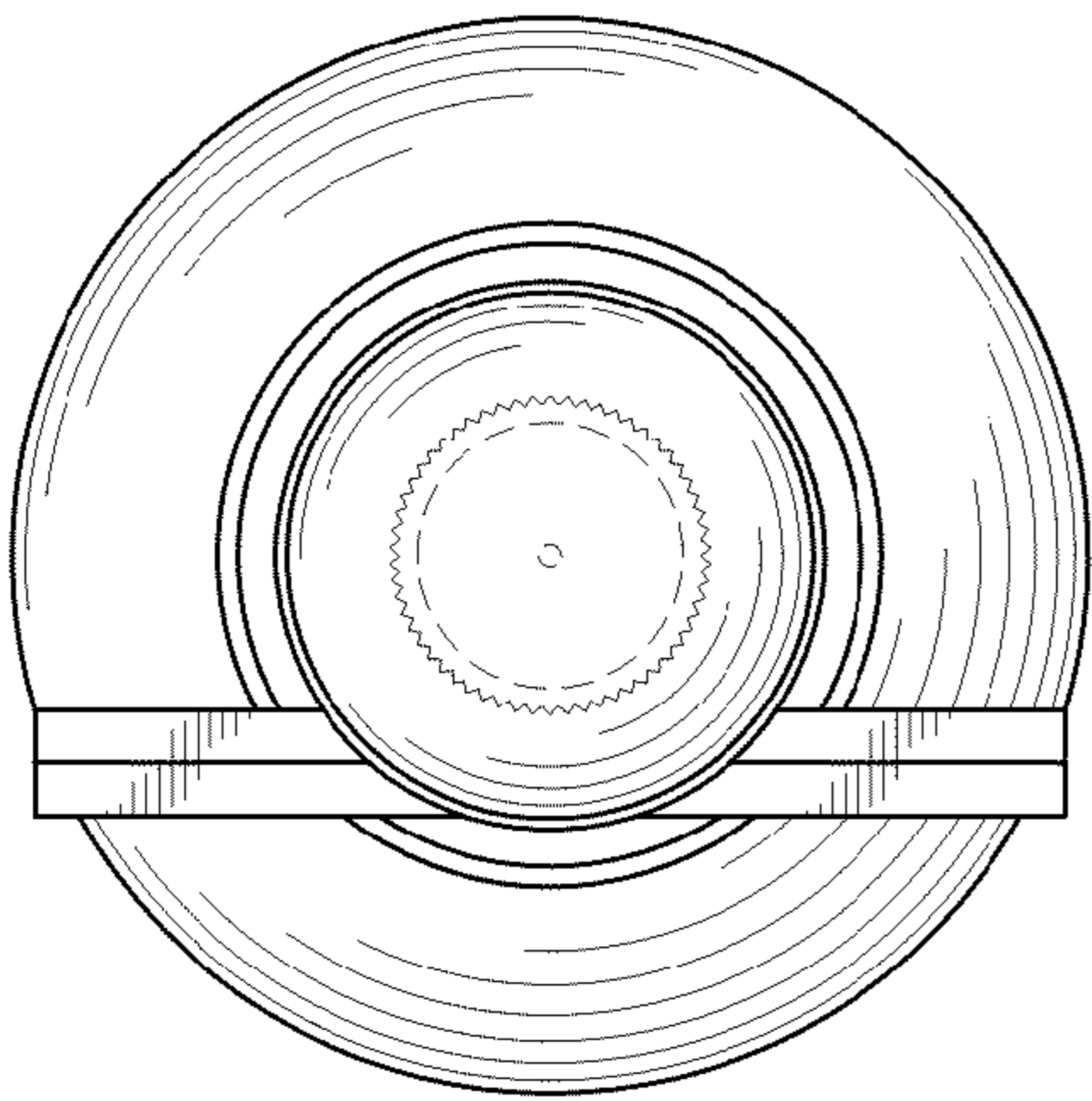


Fig. 7

