



US00D642296S

(12) **United States Design Patent**
Fülöp

(10) **Patent No.:** **US D642,296 S**

(45) **Date of Patent:** **** *Jul. 26, 2011**

(54) **COMPACT FLUORESCENT LAMP**

(75) Inventor: **József Fülöp**, Nápoly (HU)

(73) Assignee: **General Electric Company**,
Schenectady, NY (US)

(*) Notice: This patent is subject to a terminal disclaimer.

(**) Term: **14 Years**

(21) Appl. No.: **29/304,832**

(22) Filed: **Mar. 7, 2008**

(51) **LOC (9) Cl.** **26-04**

(52) **U.S. Cl.** **D26/3**

(58) **Field of Classification Search** D26/1-4;
313/313, 315, 316, 317, 318, 493; 315/52,
315/53, 56, 57, 58

See application file for complete search history.

(56) **References Cited**

U.S. PATENT DOCUMENTS

6,064,155 A 5/2000 Maya et al.
D480,162 S * 9/2003 Kakuno et al. D26/3

D485,377 S * 1/2004 Vakil D26/2
D504,732 S * 5/2005 Yang D26/2
D532,124 S * 11/2006 Iwase et al. D26/3
D548,369 S * 8/2007 Bembridge et al. D26/2
D567,967 S * 4/2008 Orban et al. D26/2

* cited by examiner

Primary Examiner — Marcus Jackson

(74) *Attorney, Agent, or Firm* — Fay Sharpe LLP

(57) **CLAIM**

I claim the ornamental design for a compact fluorescent lamp, as shown and described.

DESCRIPTION

FIG. 1 is a front view of a compact fluorescent lamp of the present invention;

FIG. 2 is a rear view thereof;

FIG. 3 is a first side view thereof;

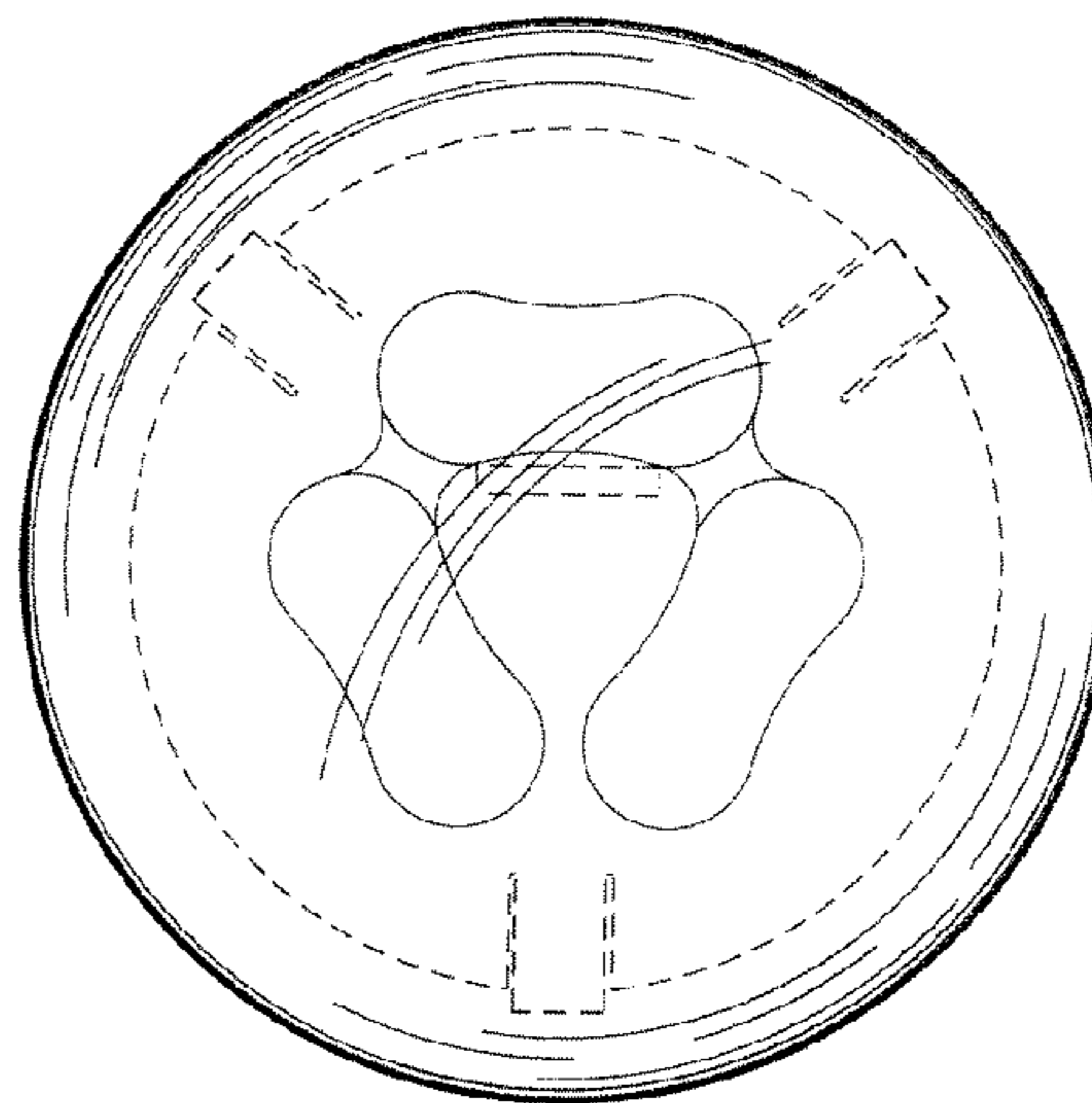
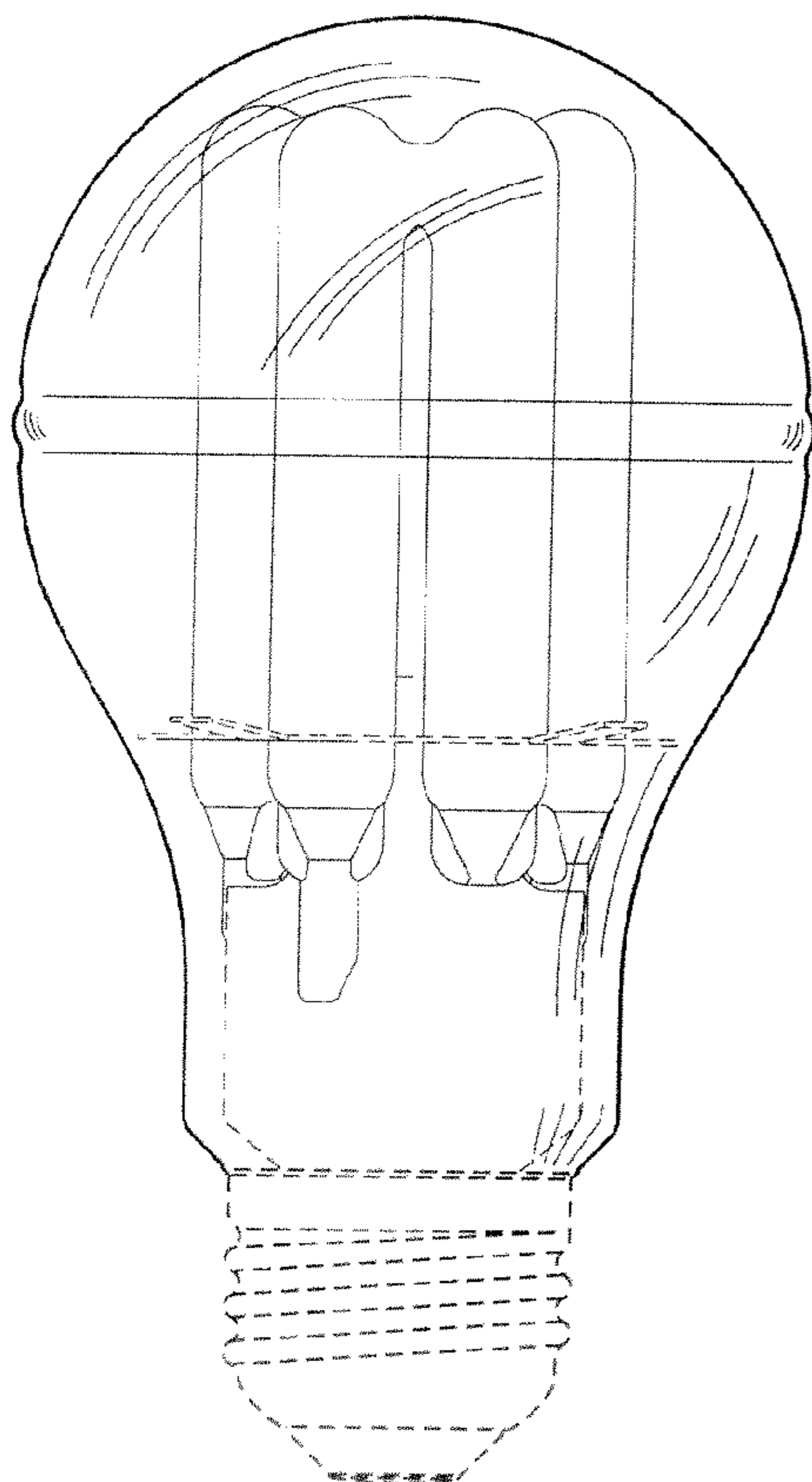
FIG. 4 is a second side view thereof;

FIG. 5 is a top view thereof; and,

FIG. 6 is a bottom view thereof.

The broken line disclosure of the lamp base and some parts within the outer envelope is for illustrative purposes only and forms no part of the claimed design.

1 Claim, 3 Drawing Sheets



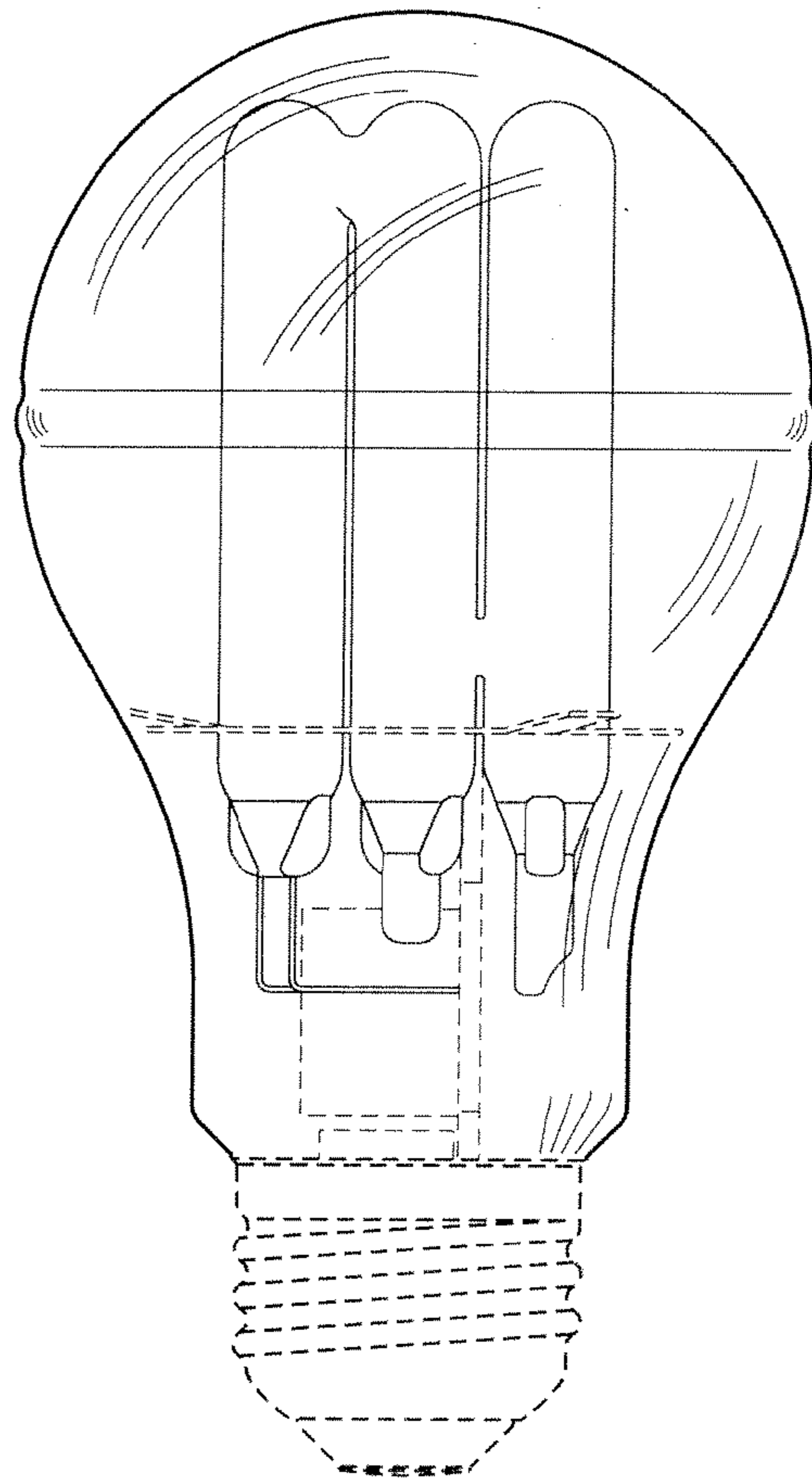


Fig. 1

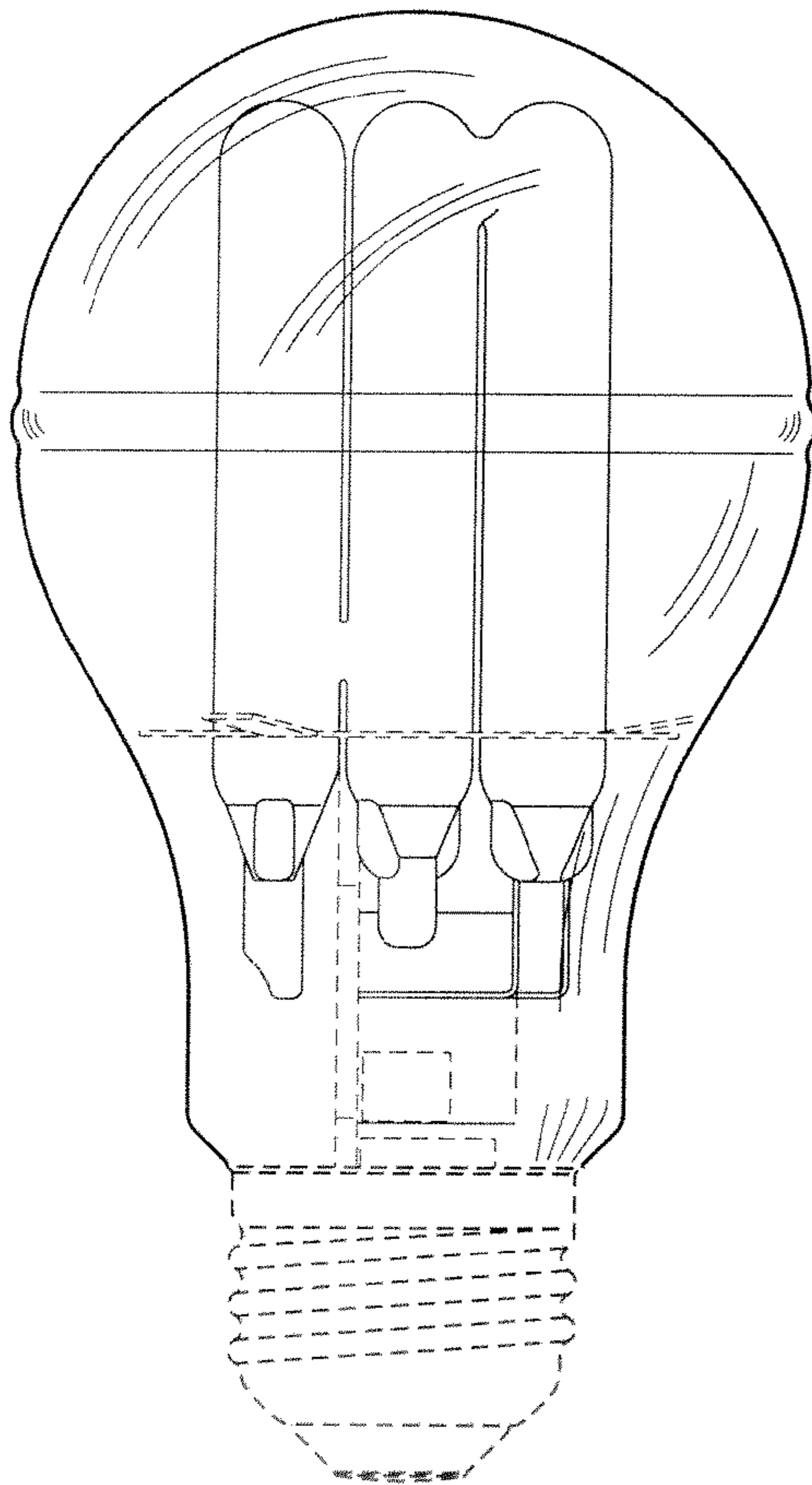


Fig. 2

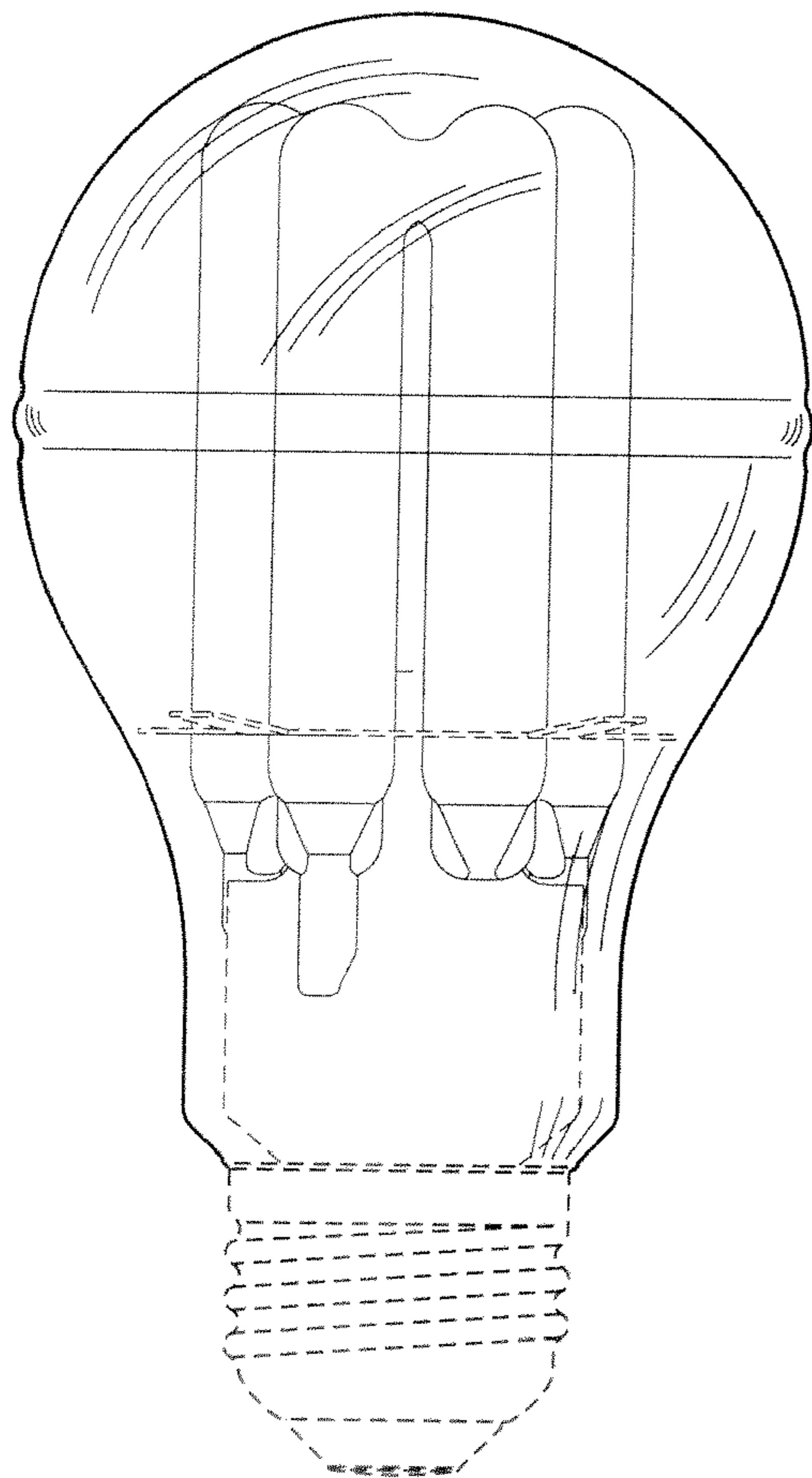


Fig. 4

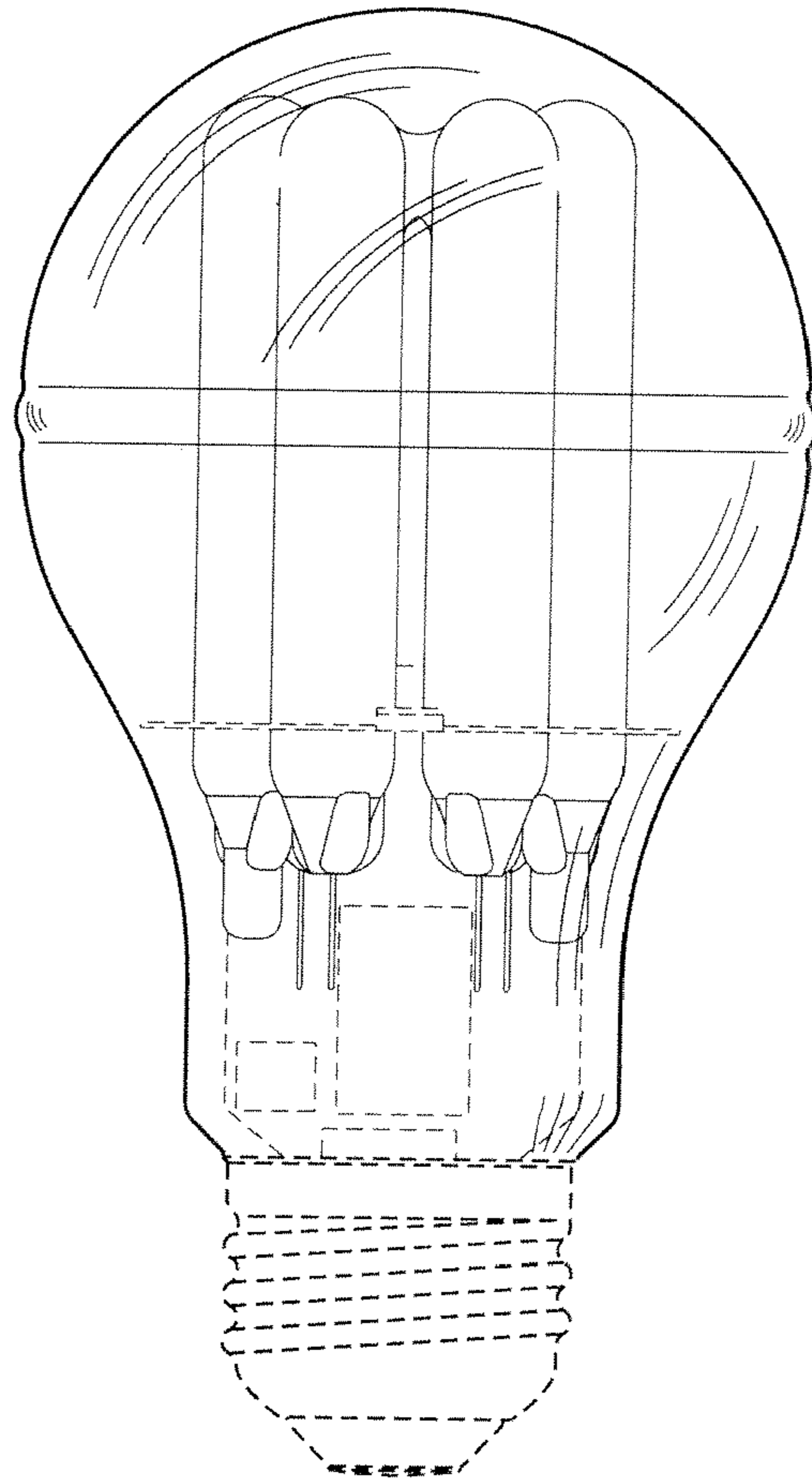


Fig. 3

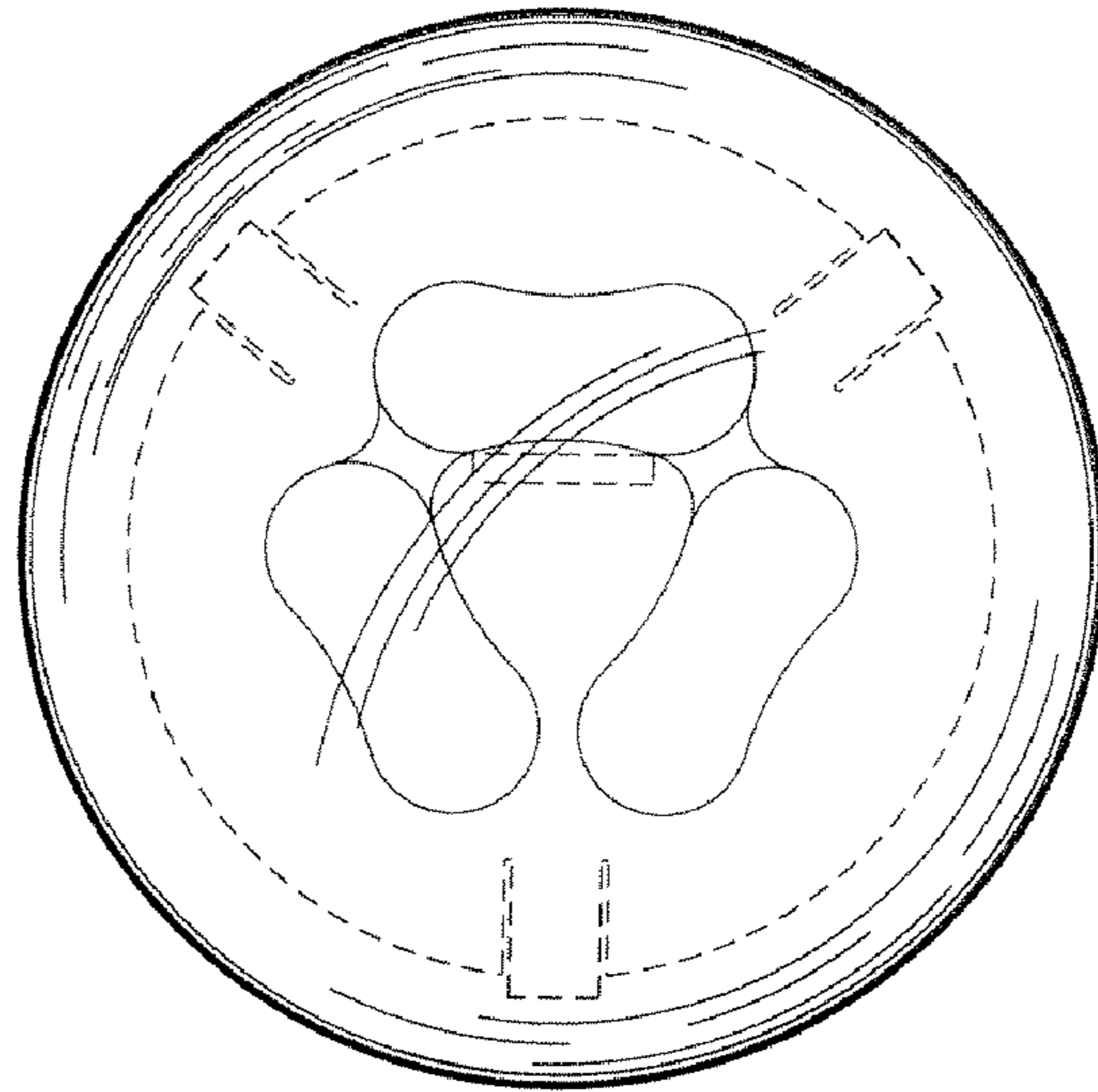


Fig. 5

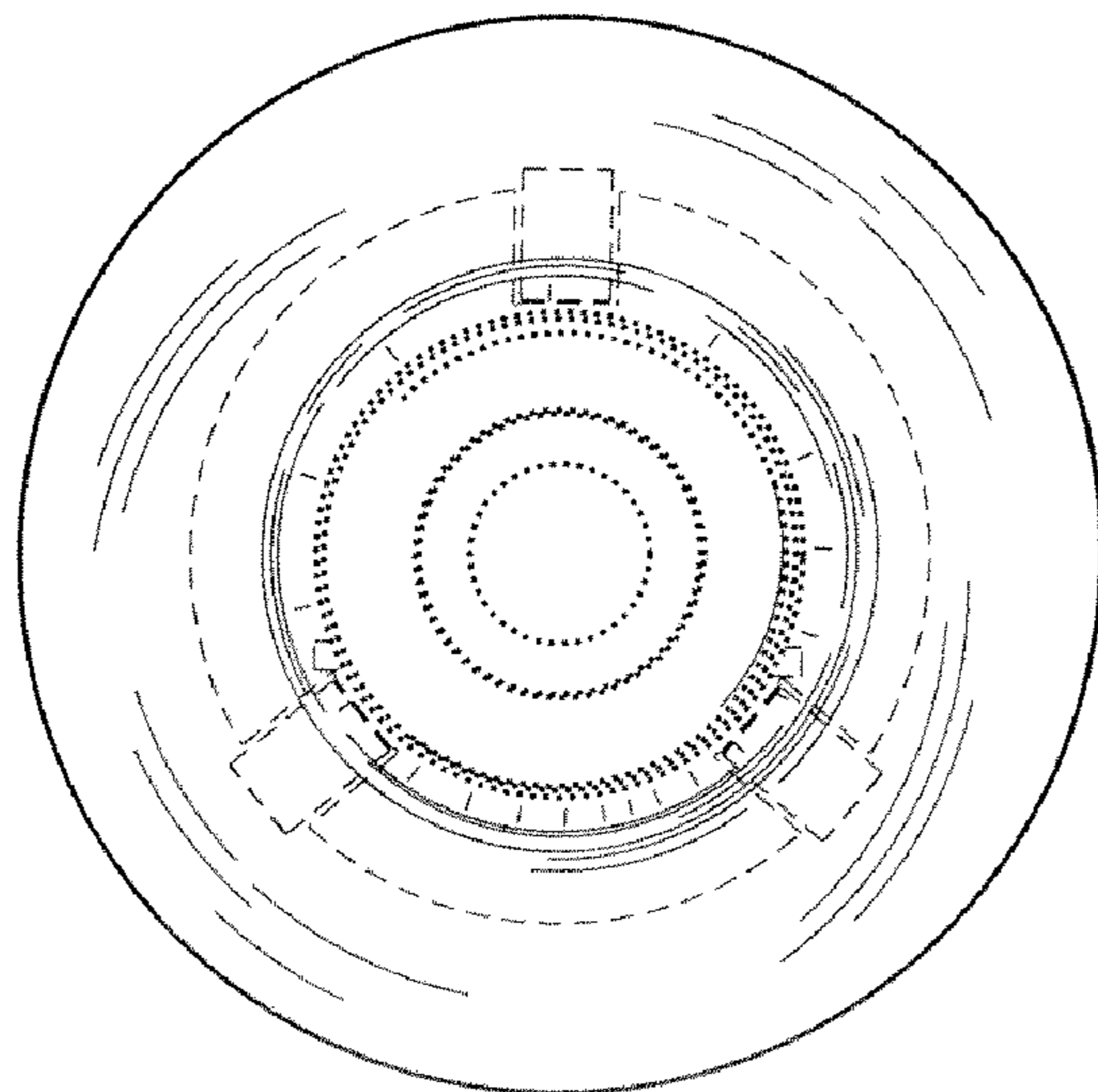


Fig. 6