



US00D642294S

(12) **United States Design Patent**
Lee et al.

(10) **Patent No.:** **US D642,294 S**
(45) **Date of Patent:** **** Jul. 26, 2011**

- (54) **LIGHT EMITTING DIODE LAMP**
- (75) Inventors: **Jiann-Hung Lee**, New Taipei (TW);
Hsien-Chang Wu, New Taipei (TW)
- (73) Assignees: **Cal-Comp Electronics & Communications Company Limited**,
New Taipei (TW); **Kinpo Electronics, Inc.**, New Taipei (TW)
- (**) Term: **14 Years**
- (21) Appl. No.: **29/384,545**
- (22) Filed: **Feb. 1, 2011**
- (51) **LOC (9) Cl.** **26-04**
- (52) **U.S. Cl.** **D26/2**
- (58) **Field of Classification Search** D26/1-4;
313/313, 315, 316, 317, 318, 493; 315/52,
315/53, 56, 57, 58
See application file for complete search history.

D528,227 S *	9/2006	Chou et al.	D26/2
D528,673 S *	9/2006	Maxik et al.	D26/2
D547,466 S *	7/2007	Lo et al.	D26/2
D566,300 S *	4/2008	Lo	D26/2

* cited by examiner

Primary Examiner — Marcus Jackson
(74) *Attorney, Agent, or Firm* — Jianq Chyun IP Office

(57) **CLAIM**
The ornamental design for a light emitting diode lamp, as shown and described.

DESCRIPTION

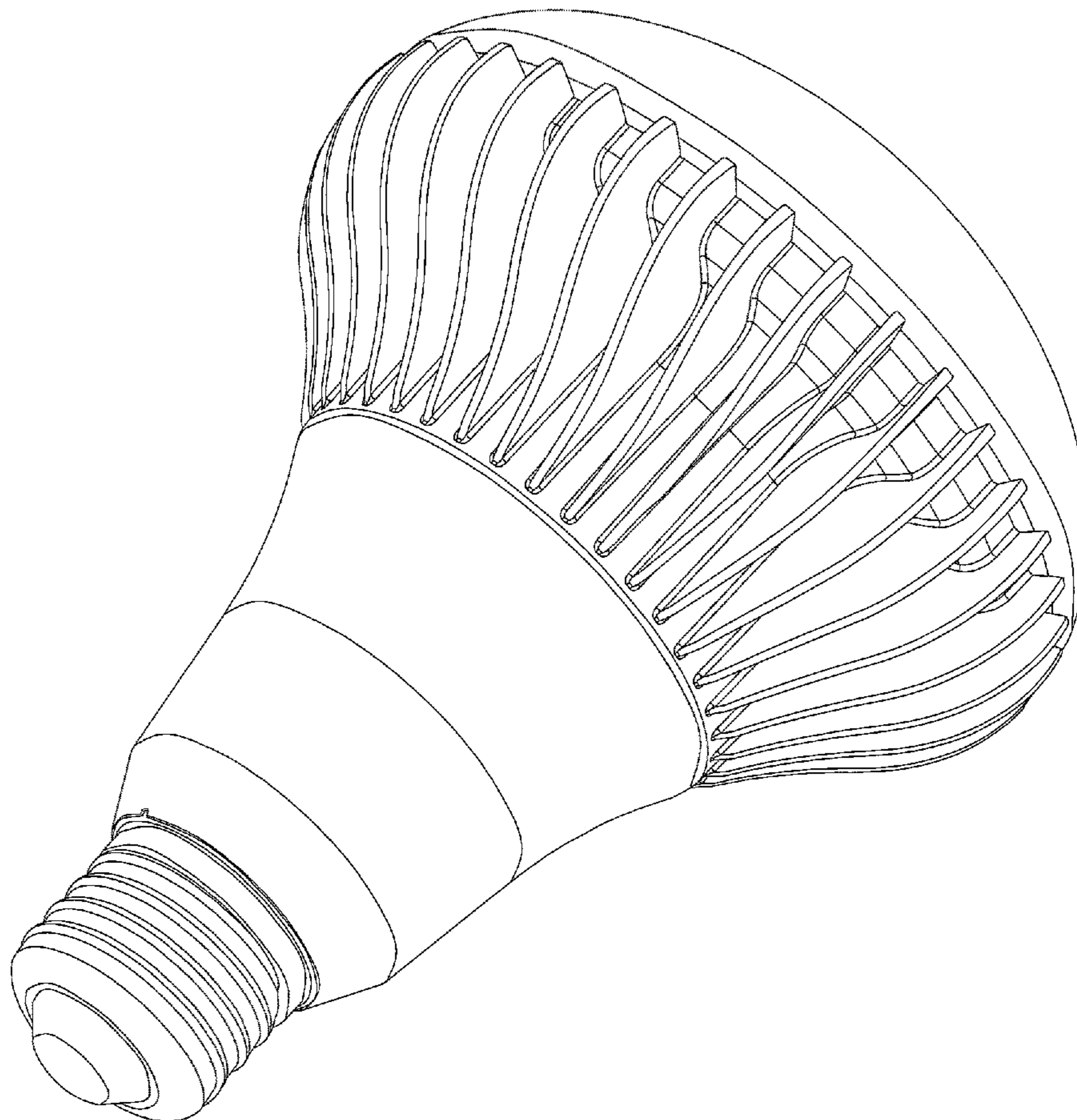
FIG. 1 is a perspective view of a lighting emitting diode lamp showing a first embodiment of our new design; FIG. 2 is another perspective view thereof; FIG. 3 is a front view thereof; FIG. 4 is a rear view thereof; FIG. 5 is a left side view thereof; FIG. 6 is a right side view thereof; FIG. 7 is a top view thereof; and, FIG. 8 is a bottom view thereof.

(56) **References Cited**

U.S. PATENT DOCUMENTS

D516,229 S *	2/2006	Tang	D26/2
D527,119 S *	8/2006	Maxik et al.	D26/2

1 Claim, 8 Drawing Sheets



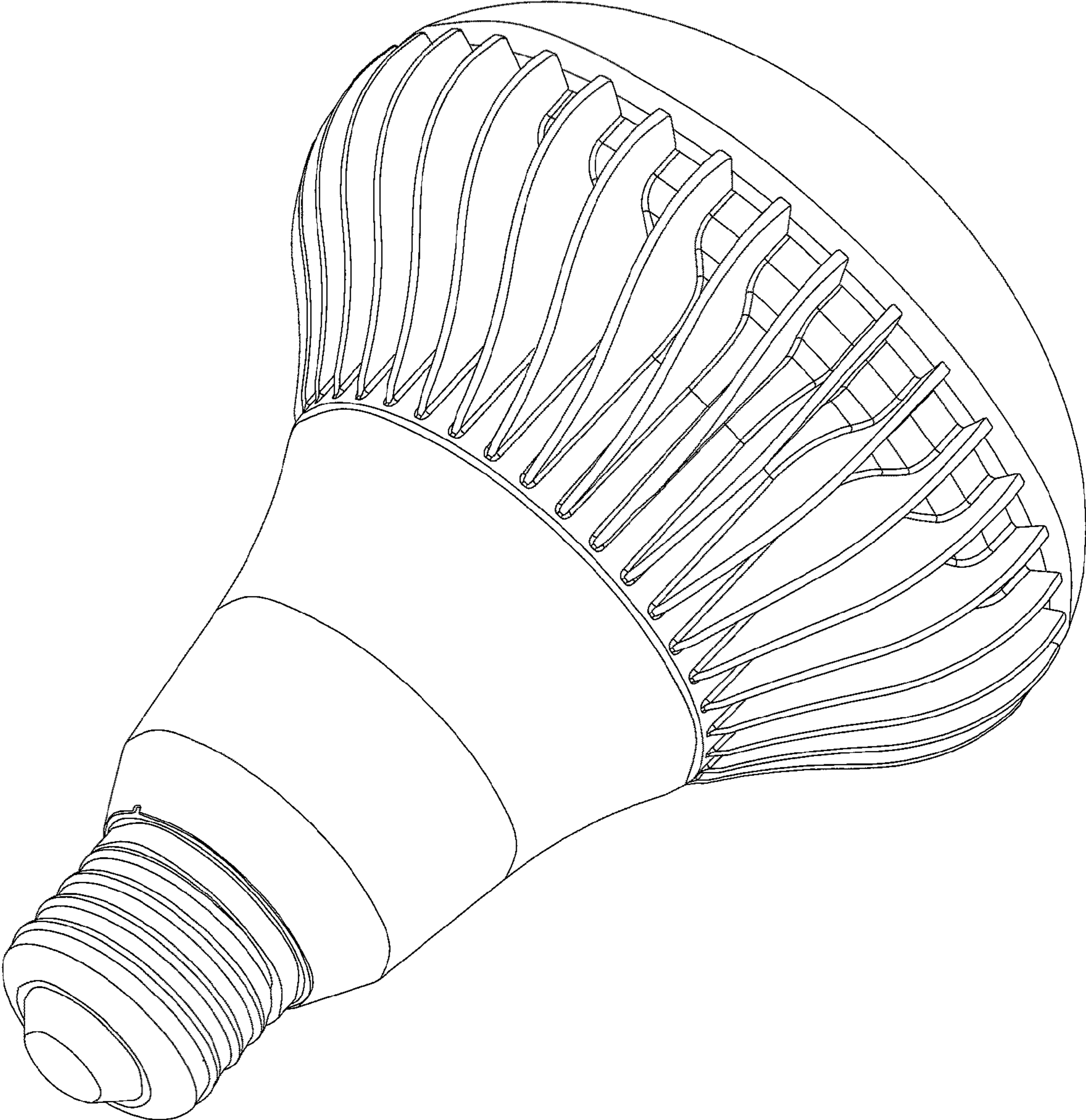


FIG. 1

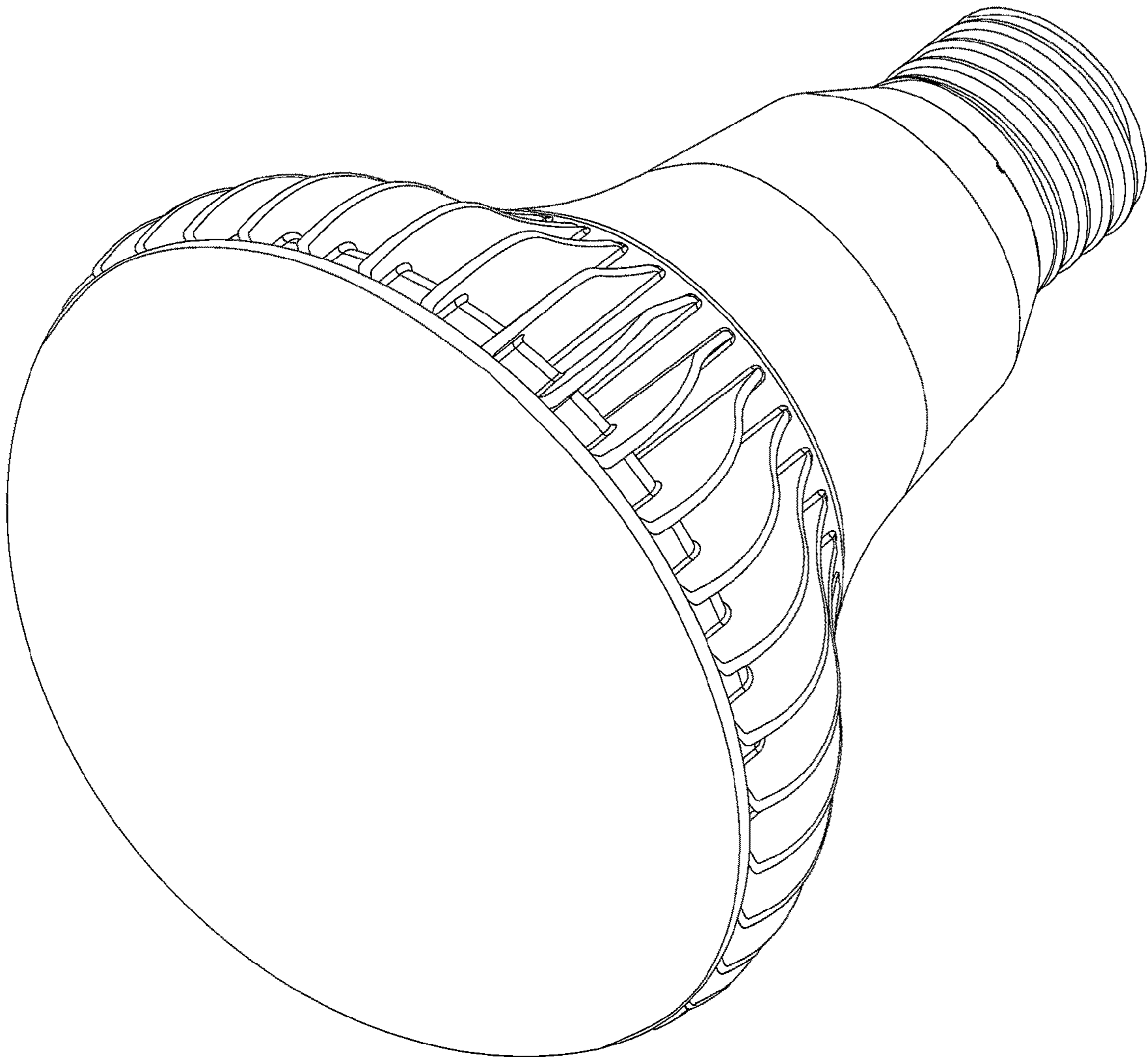


FIG. 2

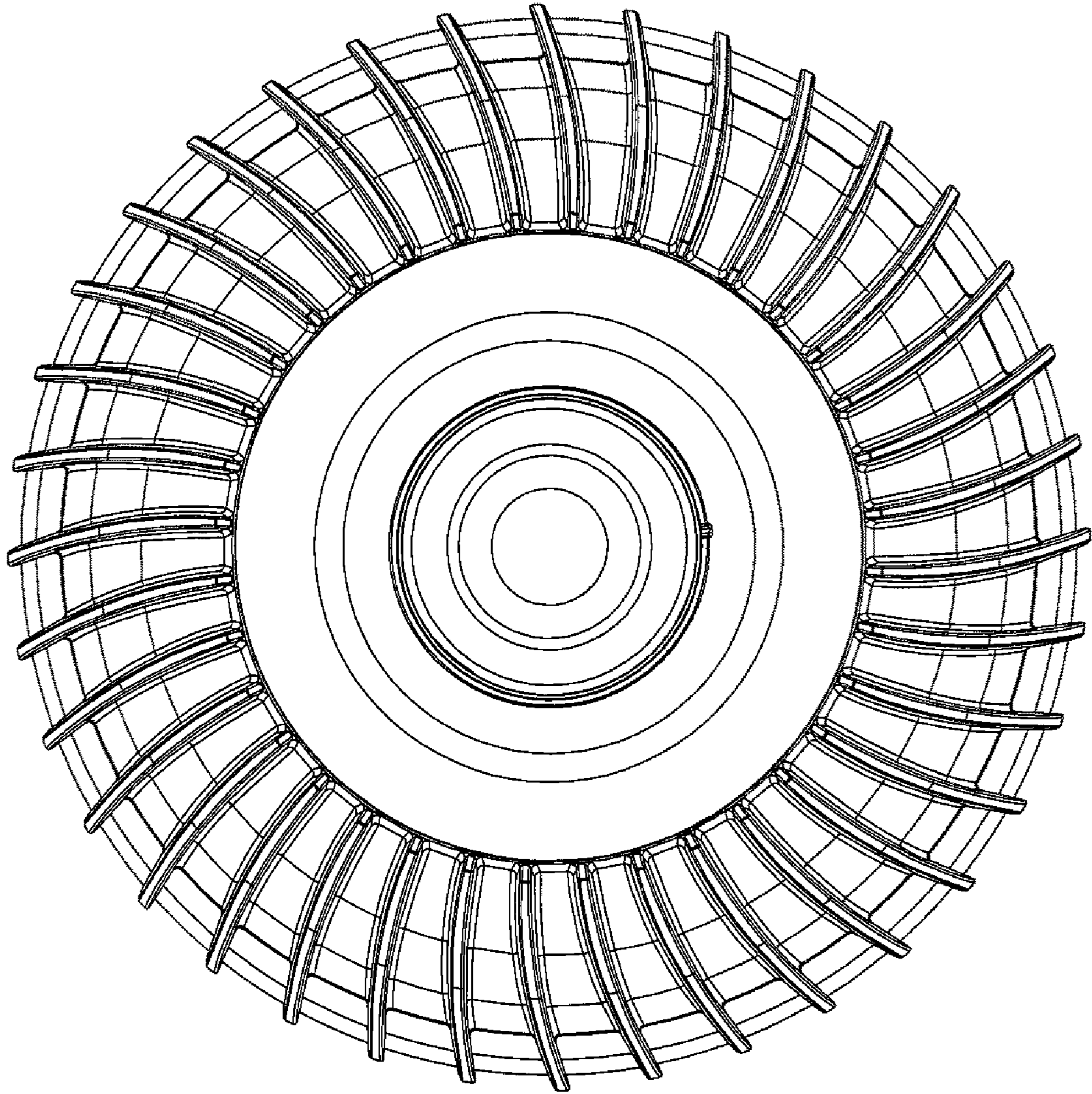


FIG. 3

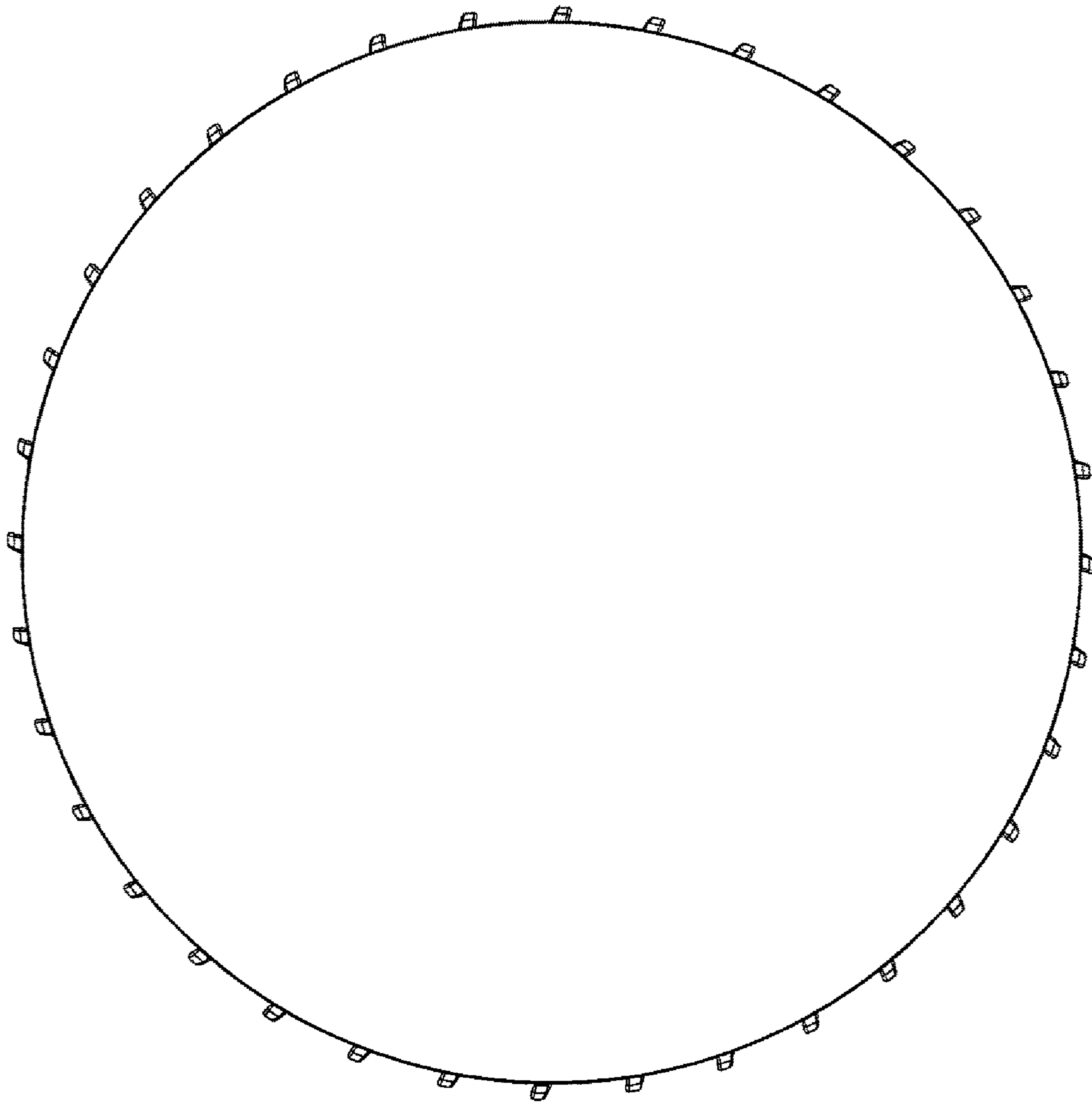


FIG. 4

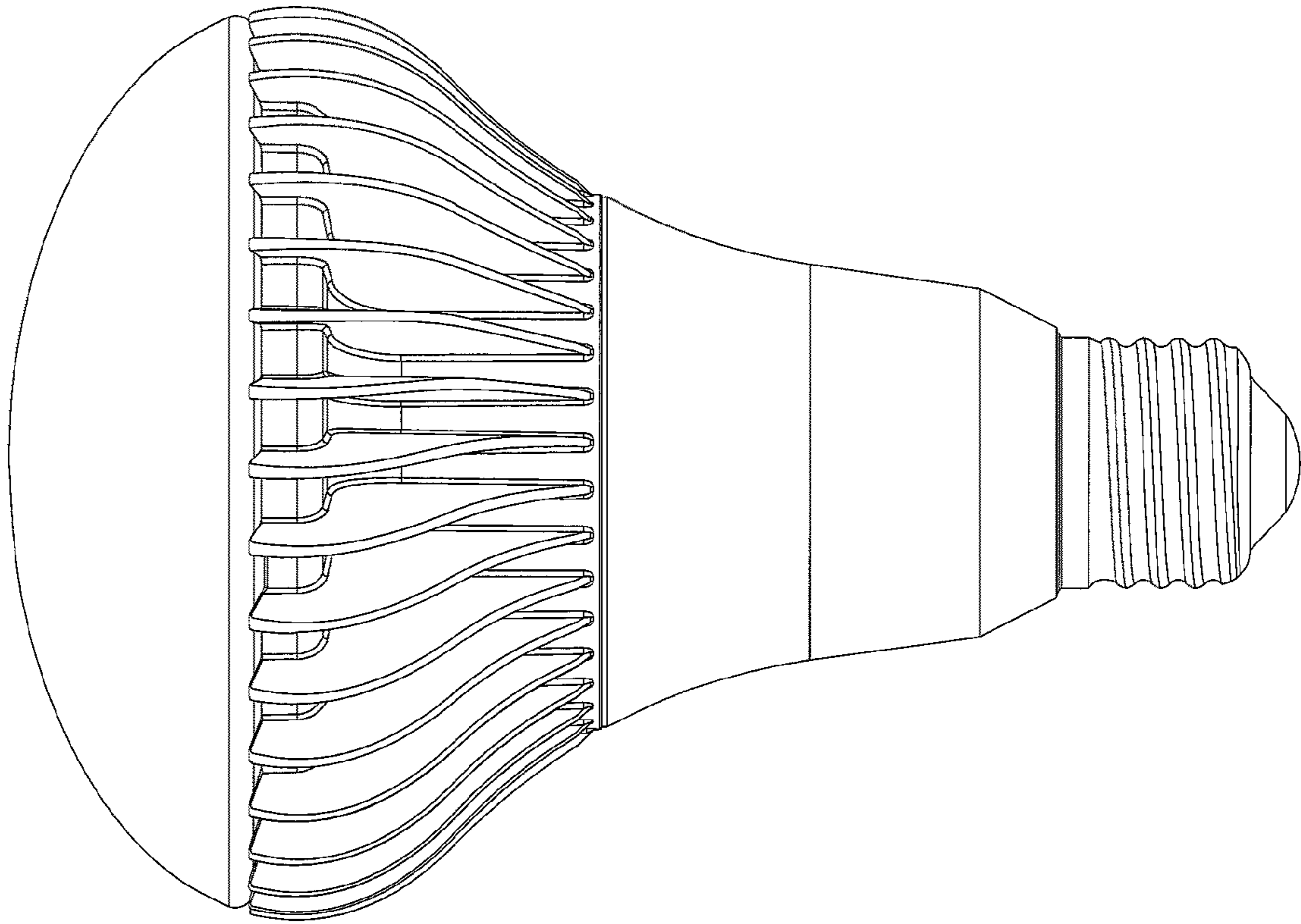


FIG. 5

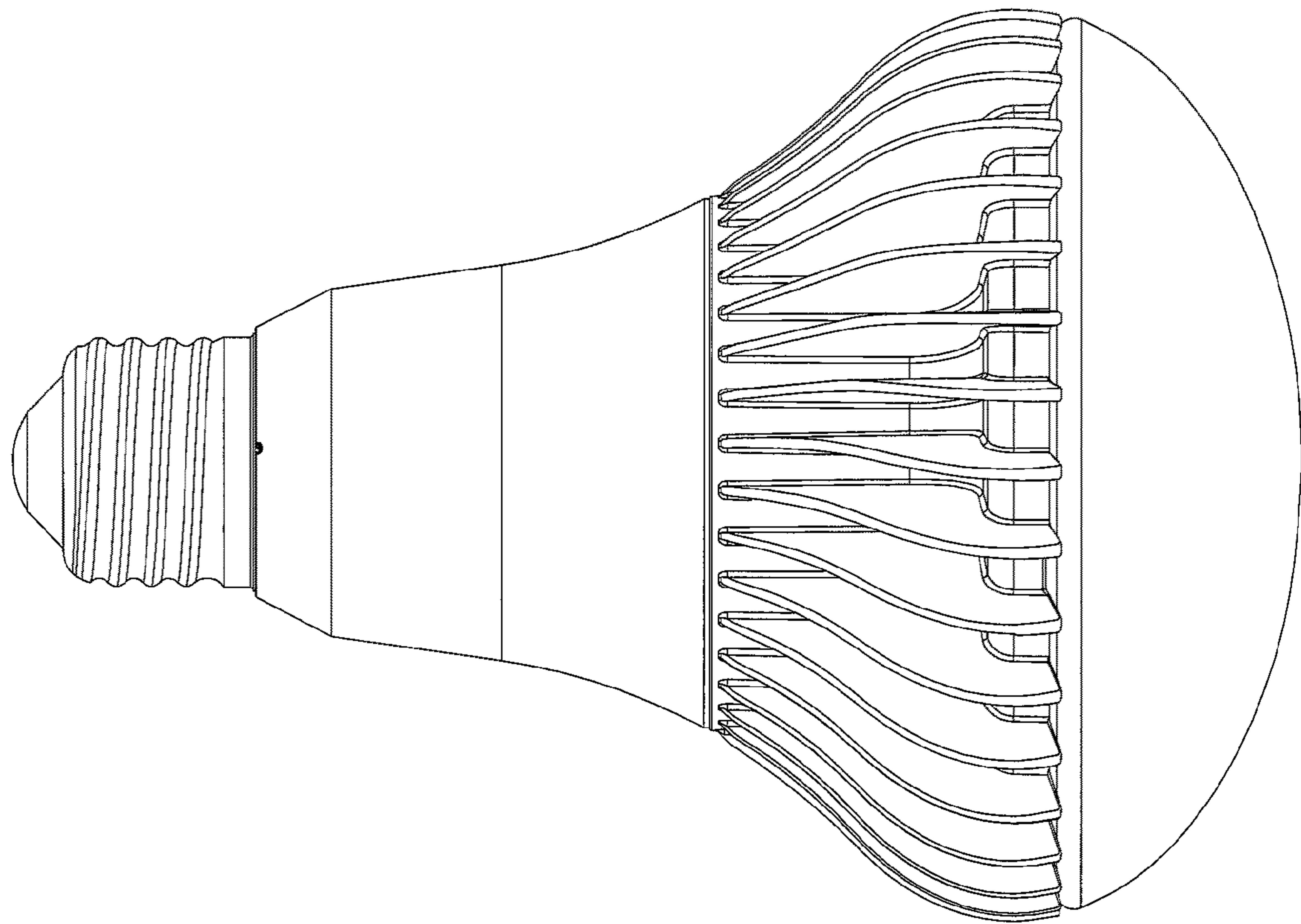


FIG. 6

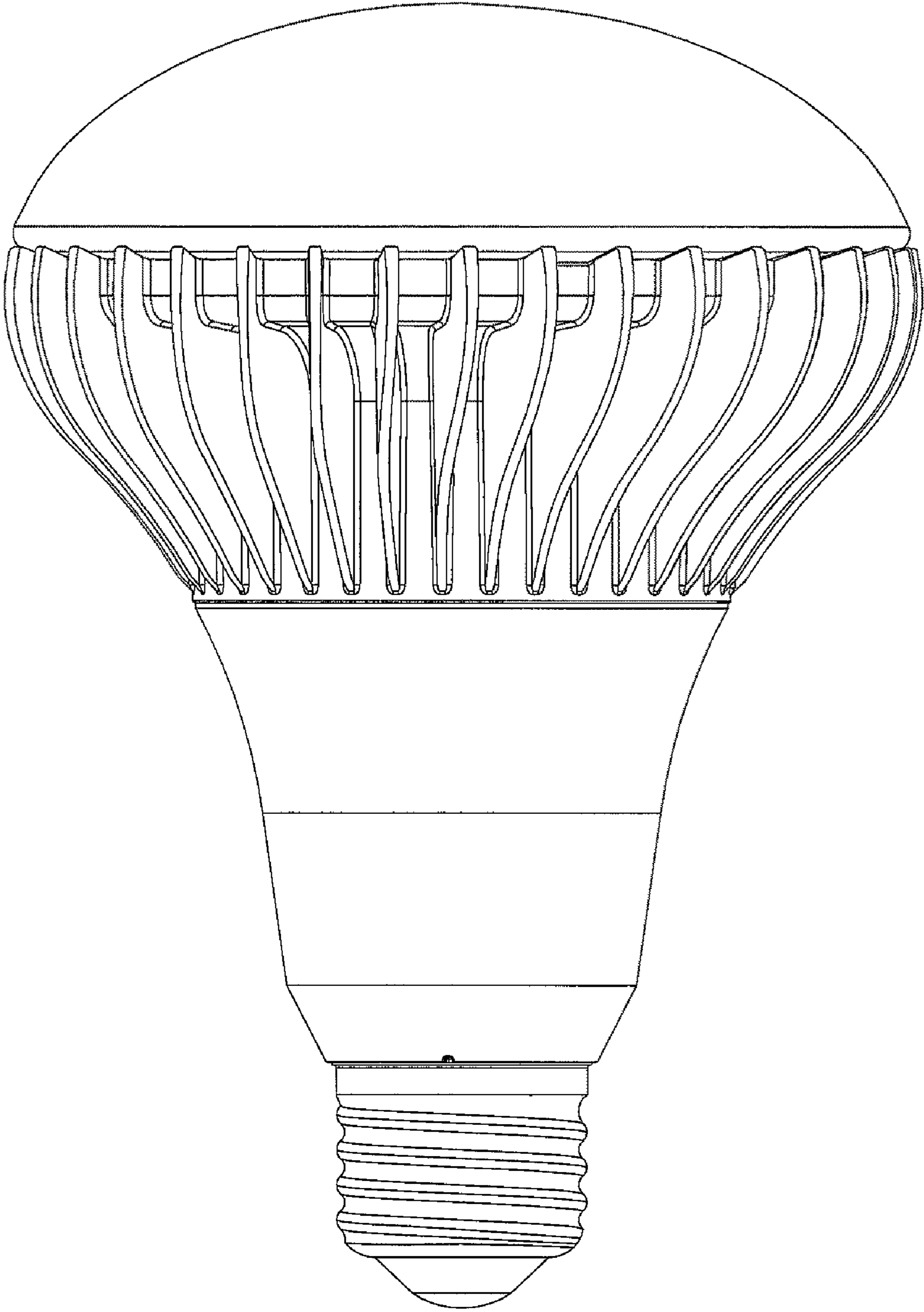


FIG. 7

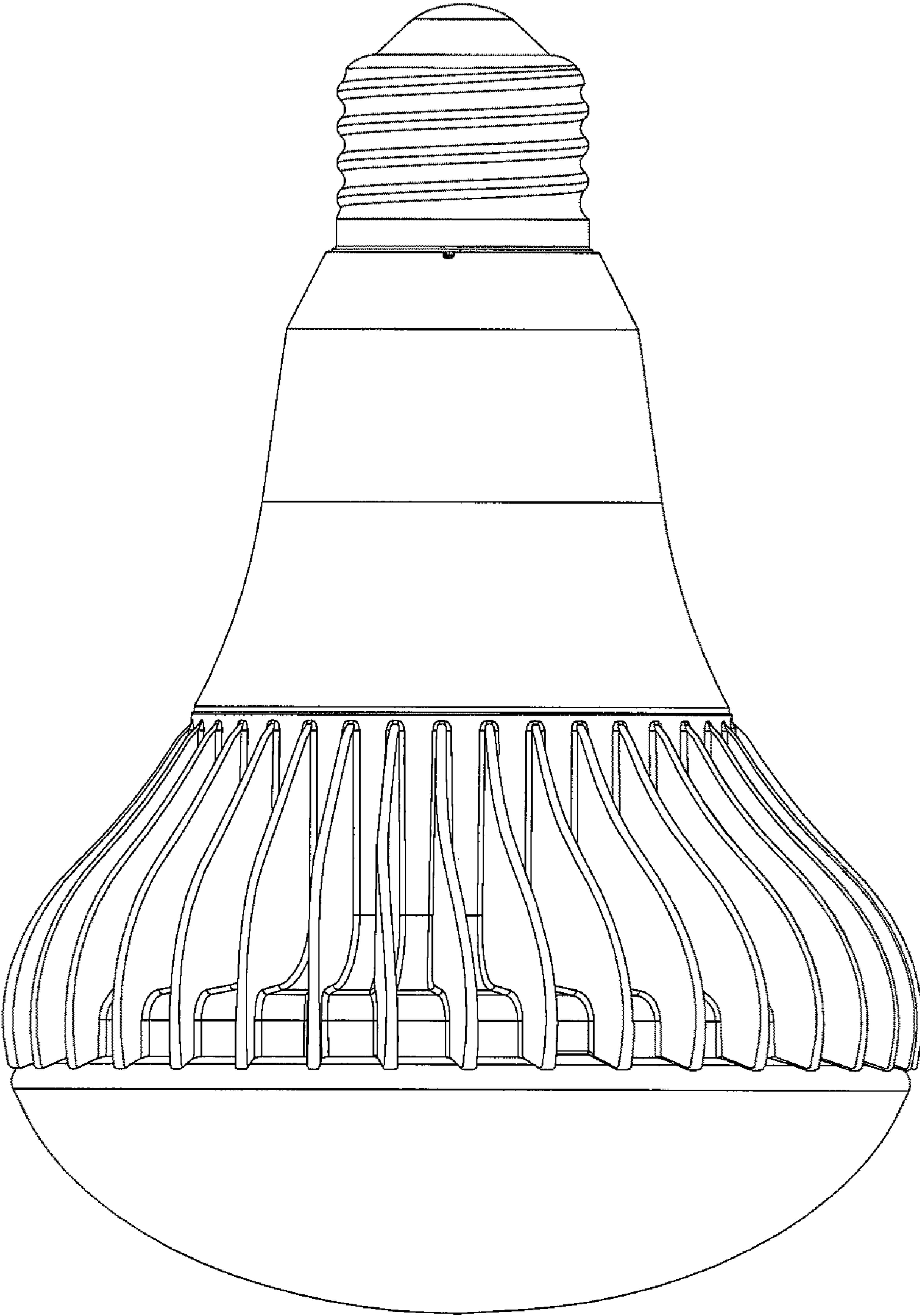


FIG. 8