

US00D642291S

(12) **United States Design Patent**
Li et al.

(10) **Patent No.:** **US D642,291 S**

(45) **Date of Patent:** **** Jul. 26, 2011**

(54) **LIGHT BULB**

(75) Inventors: **Eddie Ping Kuen Li**, Hong Kong (CN);
Sue-Anne Tean Leung, Hong Kong (CN)

(73) Assignee: **Huizhou Light Engine Ltd.**, Huizhou, Guangdong (CN)

(**) Term: **14 Years**

(21) Appl. No.: **29/377,719**

(22) Filed: **Oct. 25, 2010**

(51) **LOC (9) Cl.** **26-04**

(52) **U.S. Cl.** **D26/2**

(58) **Field of Classification Search** D26/1-5,
D26/120, 138, 113; 313/313, 315, 316, 317,
313/318, 493; 315/52, 53, 56, 57, 58; 362/290,
362/294, 309; D13/180, 110

See application file for complete search history.

(56) **References Cited**

U.S. PATENT DOCUMENTS

D102,017 S *	11/1936	Barrett	D26/113
D354,146 S *	1/1995	Chamberlain et al.	D26/3
D391,650 S *	3/1998	Hetzel et al.	D26/3
D414,569 S *	9/1999	Kato et al.	D26/3
D415,294 S *	10/1999	Kato et al.	D26/3
D420,155 S *	2/2000	Kato et al.	D26/2
D447,254 S *	8/2001	Takeuchi	D26/3
D468,845 S *	1/2003	Bobel	D26/2
D479,615 S *	9/2003	Kakuno et al.	D26/2
D487,939 S *	3/2004	Smith	D26/2
D494,688 S *	8/2004	Van de Ven et al.	D26/2

D506,840 S *	6/2005	Van de Ven et al.	D26/2
D534,665 S *	1/2007	Egawa et al.	D26/2
D542,426 S *	5/2007	Itaya et al.	D26/2
D597,226 S *	7/2009	Richard et al.	D26/2
D602,614 S *	10/2009	Takahashi et al.	D26/2
D613,887 S *	4/2010	Lee et al.	D26/2
7,758,223 B2 *	7/2010	Osawa et al.	362/547
D628,315 S *	11/2010	Yamamoto et al.	D26/2
D629,534 S *	12/2010	Song	D26/2
D629,535 S *	12/2010	Lee	D26/2
D634,451 S *	3/2011	de Visser	D26/2
2006/0034077 A1 *	2/2006	Chang	362/227

* cited by examiner

Primary Examiner — Jeffrey D Asch

(74) *Attorney, Agent, or Firm* — Dickstein Shapiro LLP

(57) **CLAIM**

The ornamental design for a light bulb, as shown and described.

DESCRIPTION

FIG. 1 is a perspective view of a light bulb showing our new design;

FIG. 2 is a front view of the light bulb shown in FIG. 1;

FIG. 3 is a left side view of the light bulb shown in FIG. 1;

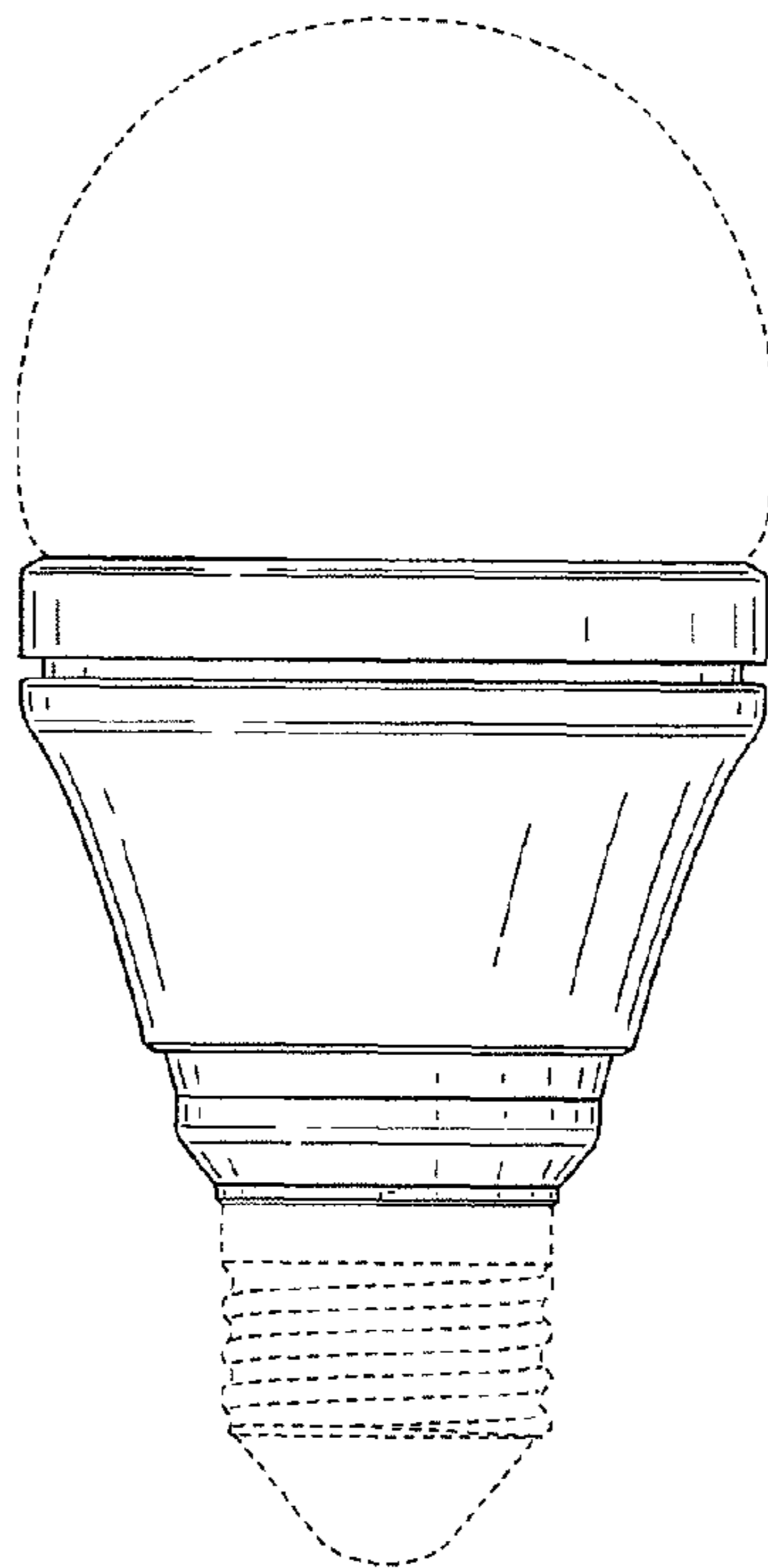
FIG. 4 is a right side view of the light bulb shown in FIG. 1;

FIG. 5 is a rear view of the light bulb shown in FIG. 1; and,

FIG. 6 is a bottom view of the light bulb shown in FIG. 1.

The broken lines shown in FIGS. 1-6 of the drawings are for illustrative purposes only and form no part of the claimed design.

1 Claim, 4 Drawing Sheets



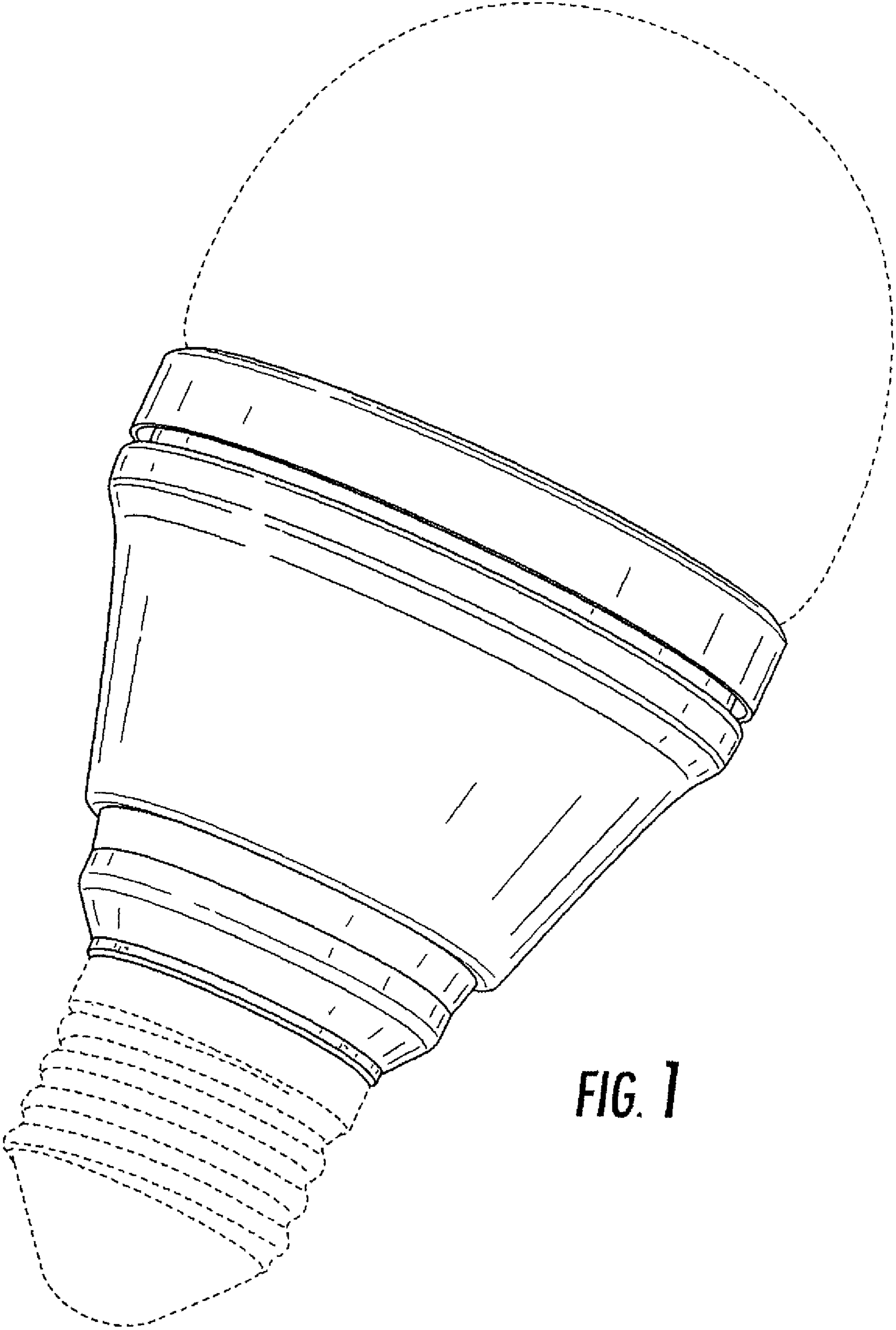


FIG. 1

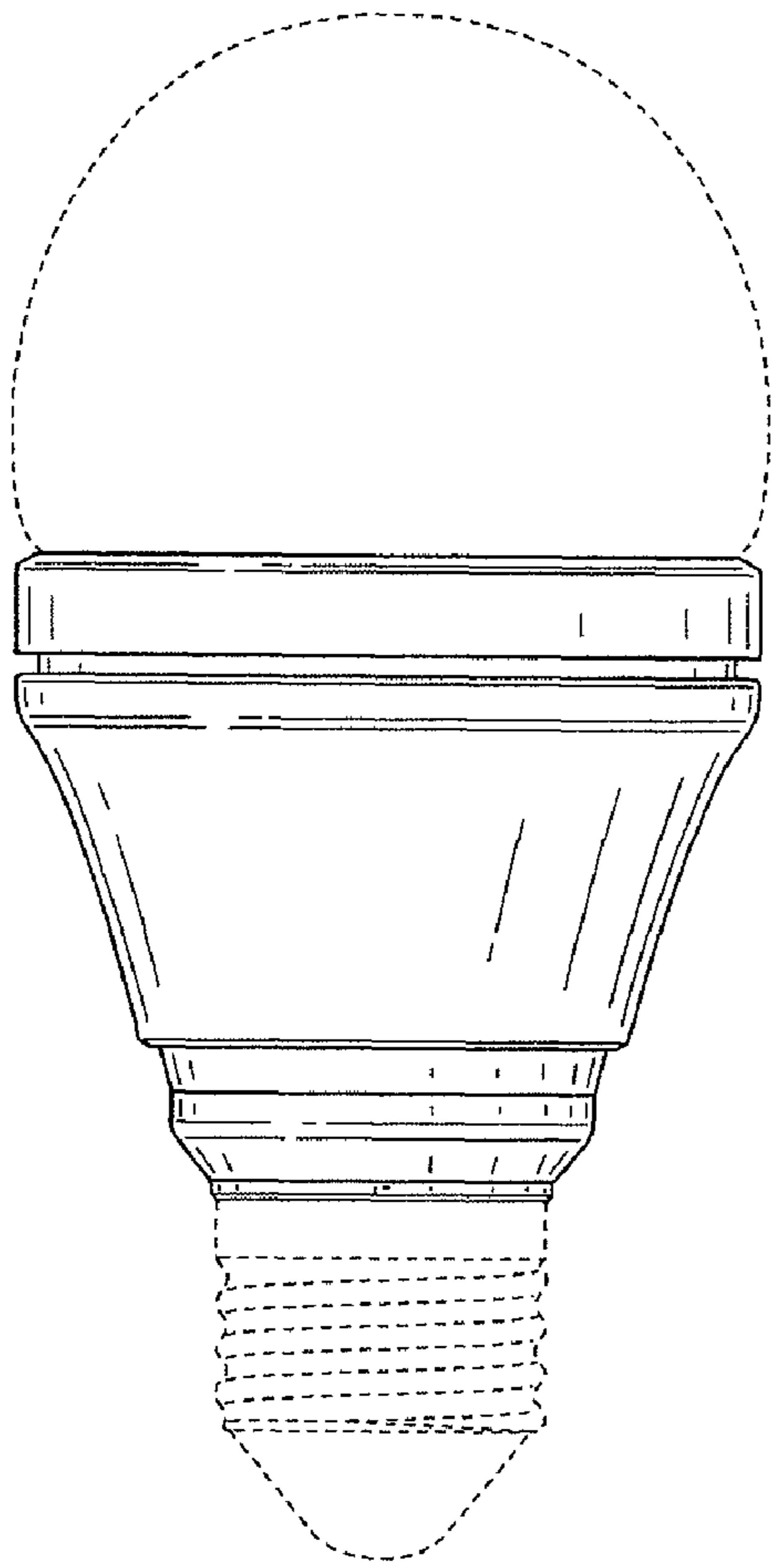


FIG. 2

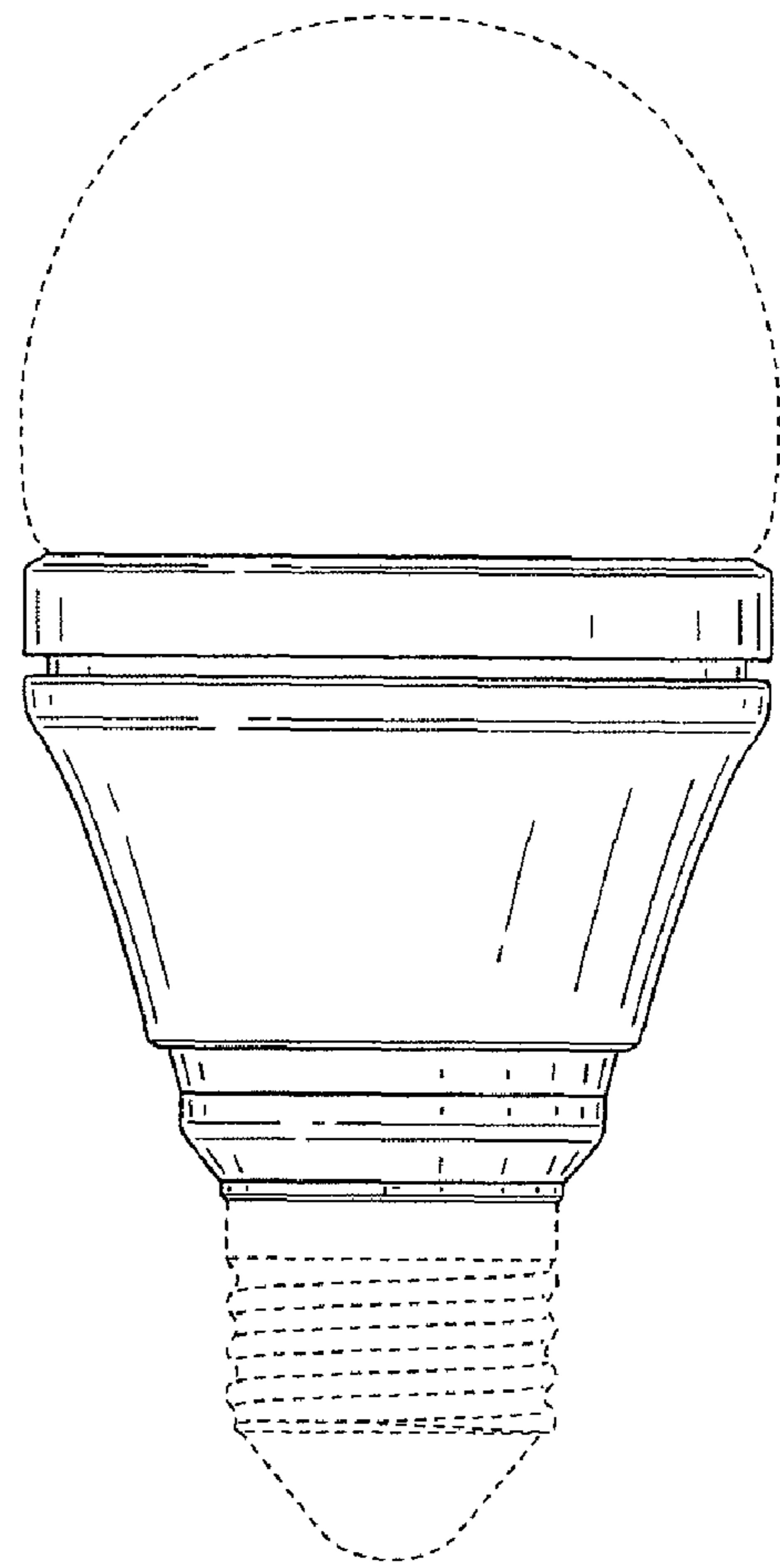


FIG. 3

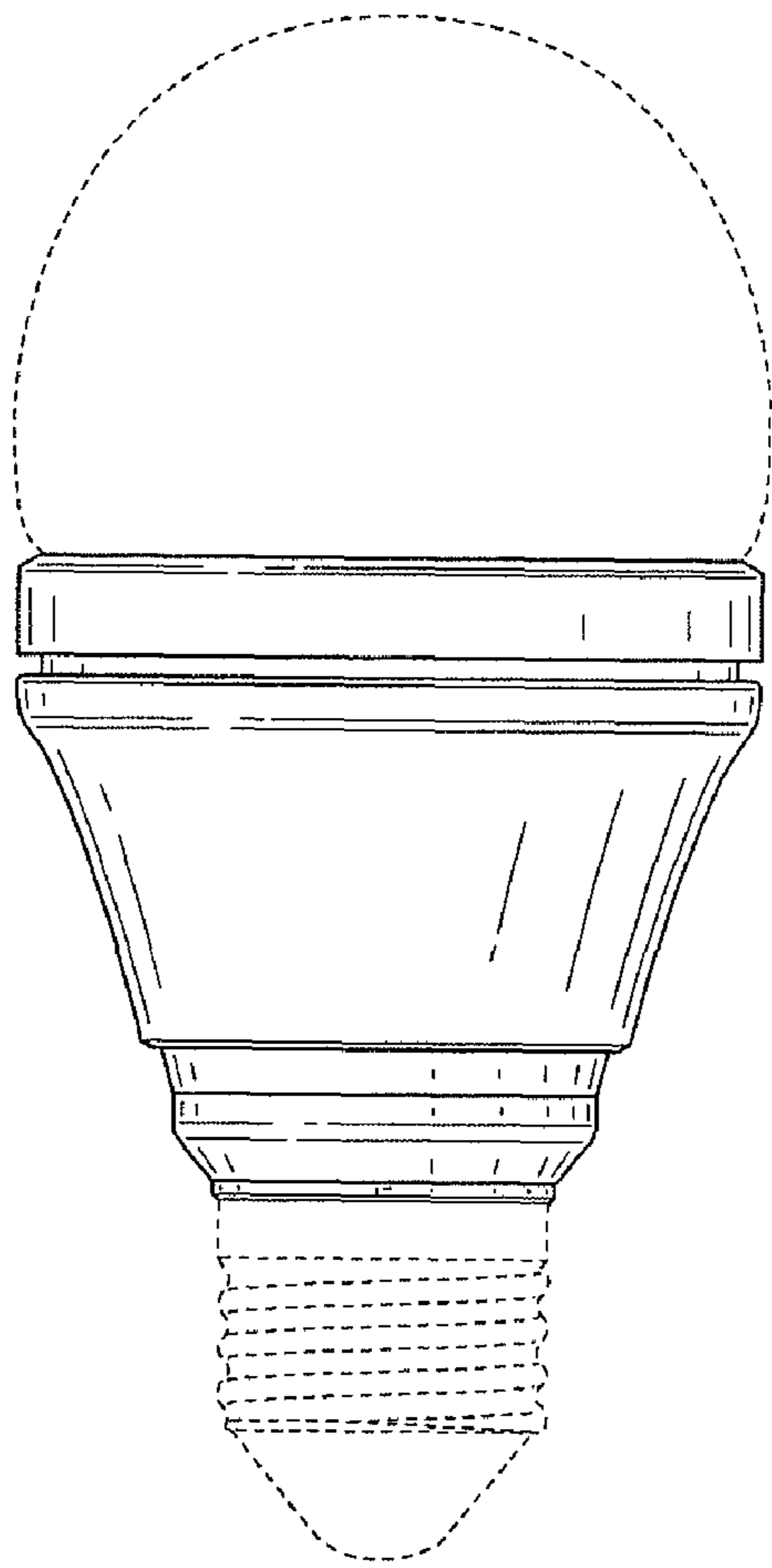


FIG. 4

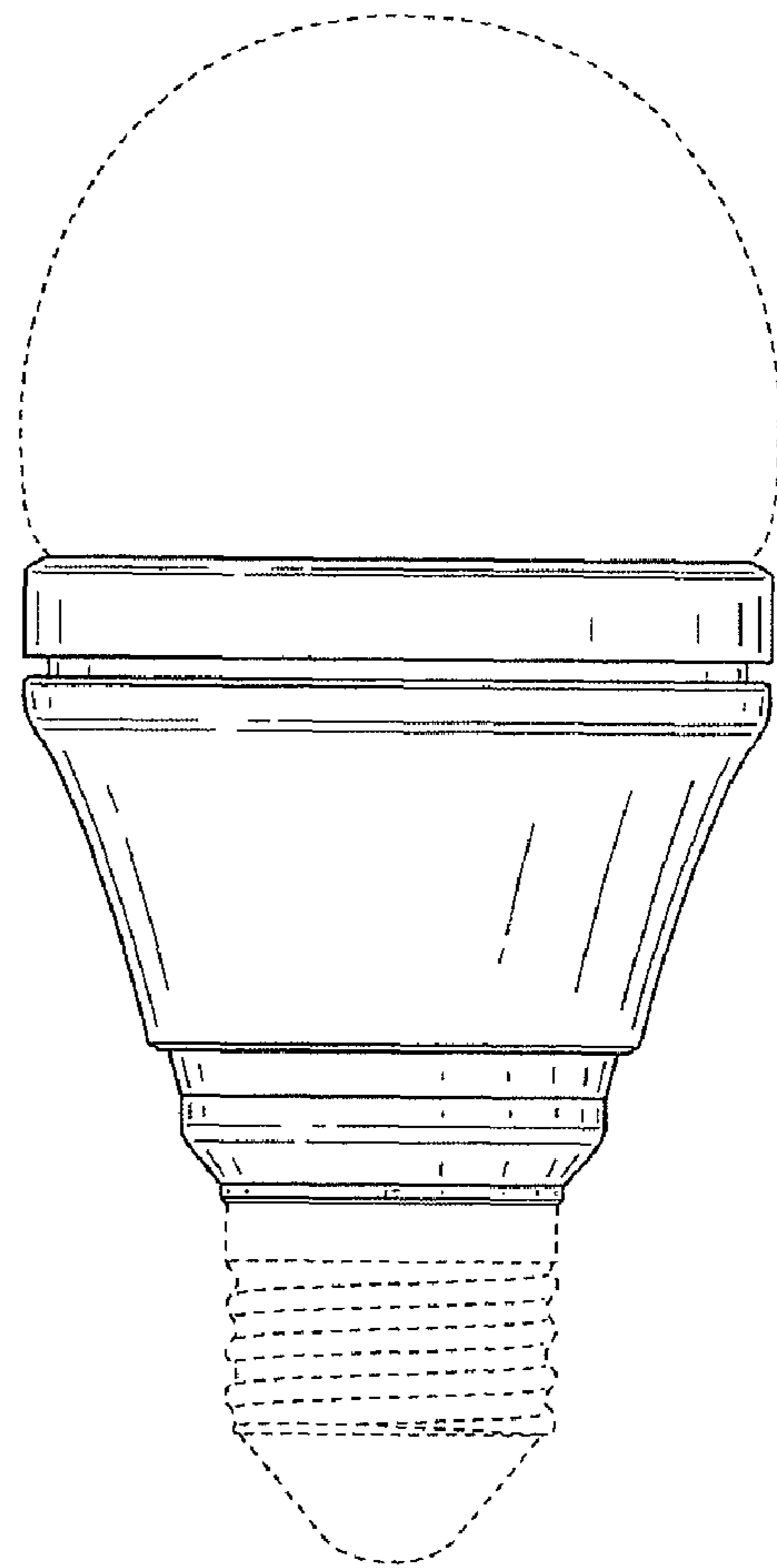


FIG. 5

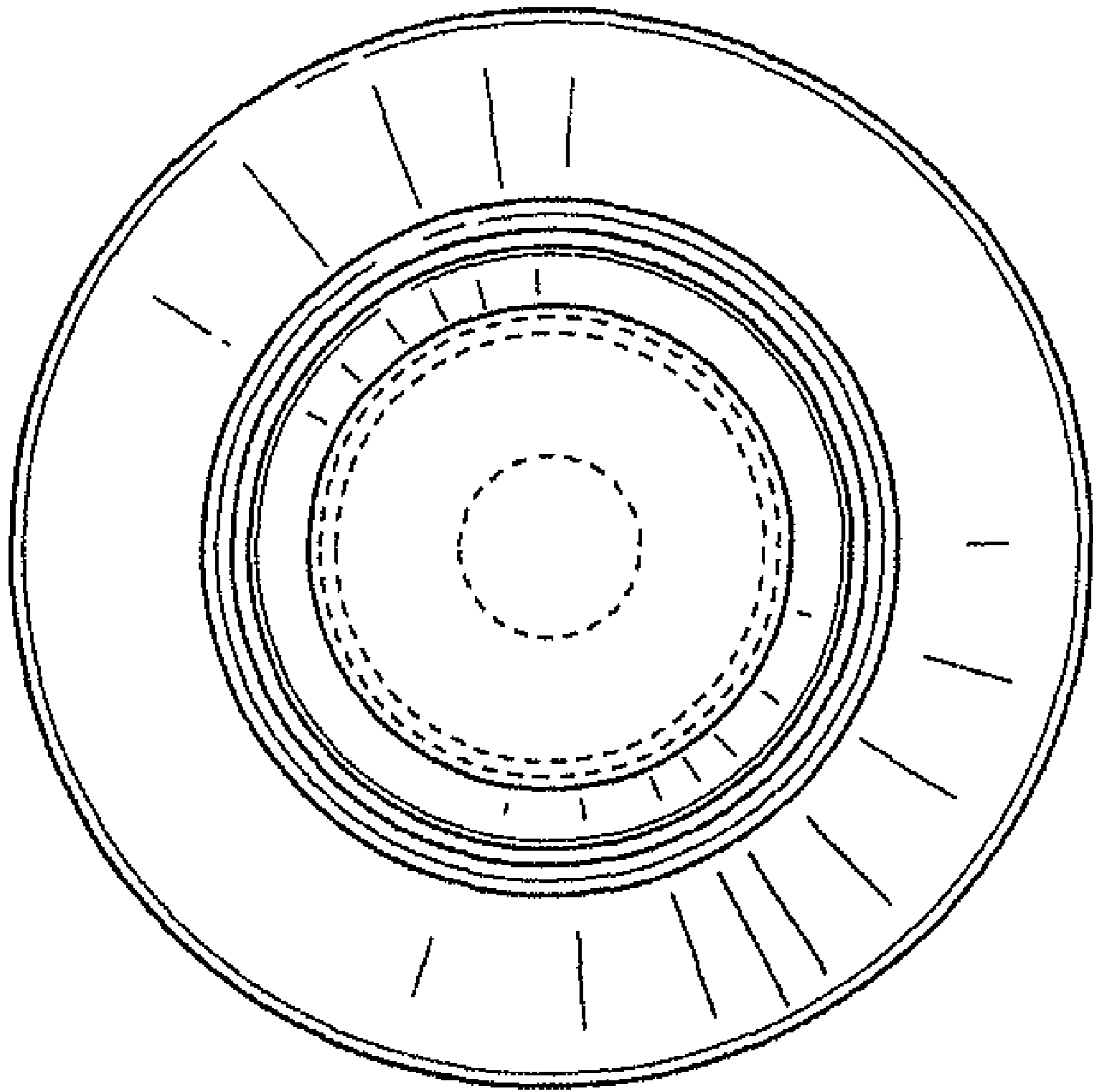


FIG. 6