



US00D642290S

(12) **United States Design Patent**
Froehlich

(10) **Patent No.:** **US D642,290 S**
(45) **Date of Patent:** **** Jul. 26, 2011**

(54) **HEADLIGHT FOR A VEHICLE**
(75) Inventor: **Jacek Froehlich**, Munich (DE)
(73) Assignee: **Bayerische Motoren Werke Aktiengesellschaft**, Munich (DE)
(**) Term: **14 Years**
(21) Appl. No.: **29/361,298**
(22) Filed: **May 10, 2010**

WO DM/069236 2/2008
WO DM/069951 10/2008
WO DM/070264 12/2008
WO DM/070422 1/2009
WO DM/071790 11/2009

* cited by examiner

Primary Examiner — Marcus Jackson
(74) *Attorney, Agent, or Firm* — Crowell & Moring LLP

(30) **Foreign Application Priority Data**

Nov. 12, 2009 (DE) 40 2009 005 586

(51) **LOC (9) Cl.** **26-04**
(52) **U.S. Cl.** **D26/2**
(58) **Field of Classification Search** D26/1-4;
313/313, 315, 316, 317, 318, 493; 315/52,
315/53, 56, 57, 58
See application file for complete search history.

(57) **CLAIM**

The ornamental design for a headlight for a vehicle, as shown and described.

DESCRIPTION

This application contains subject matter related to the following co-pending U.S. design patent application: Application Ser. No. 29/361,299, filed herewith and entitled "Headlight for a Vehicle".

FIG. 1 is a right perspective view of a first embodiment of a headlight for a vehicle according to my design; FIG. 2 is a top perspective view thereof; FIG. 3 is a front view thereof; FIG. 4 is a right side view thereof; and FIG. 5 is a top view thereof. FIG. 6 is a left side elevational view of the opposite side of FIGS. 1 to 5 showing my new design; FIG. 7 is a top perspective view thereof; FIG. 8 is a front view thereof; FIG. 9 is a left side view thereof; and, FIG. 10 is a top view thereof.

The broken lines are for illustrative purposes only and form no part of the claimed design.

(56) **References Cited**

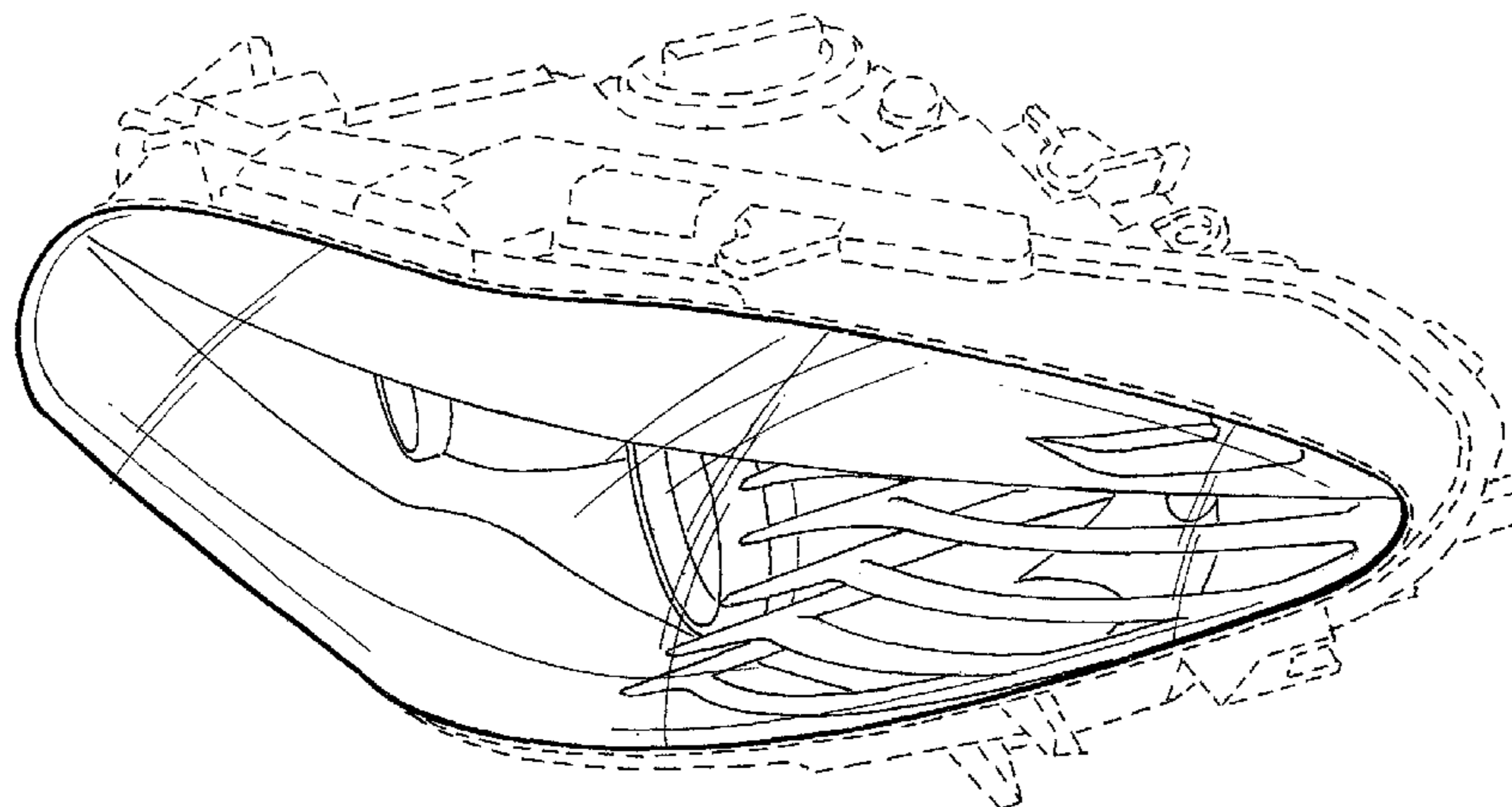
U.S. PATENT DOCUMENTS

D437,645 S * 2/2001 Sung et al. D26/2
D456,913 S * 5/2002 Liu D26/2
D469,548 S * 1/2003 Bobel D26/2
D471,293 S * 3/2003 Bobel D26/2
D471,996 S * 3/2003 Kuen D26/4
D543,288 S * 5/2007 Bembridge D26/2
D552,768 S 10/2007 Leclercq
D591,879 S 5/2009 Leclercq
D593,691 S 6/2009 Habib
D598,585 S 8/2009 Blasi

FOREIGN PATENT DOCUMENTS

WO DM/064264 10/2003
WO DM/065417 7/2004
WO DM/065864 3/2005
WO DM/067928 7/2006

1 Claim, 8 Drawing Sheets



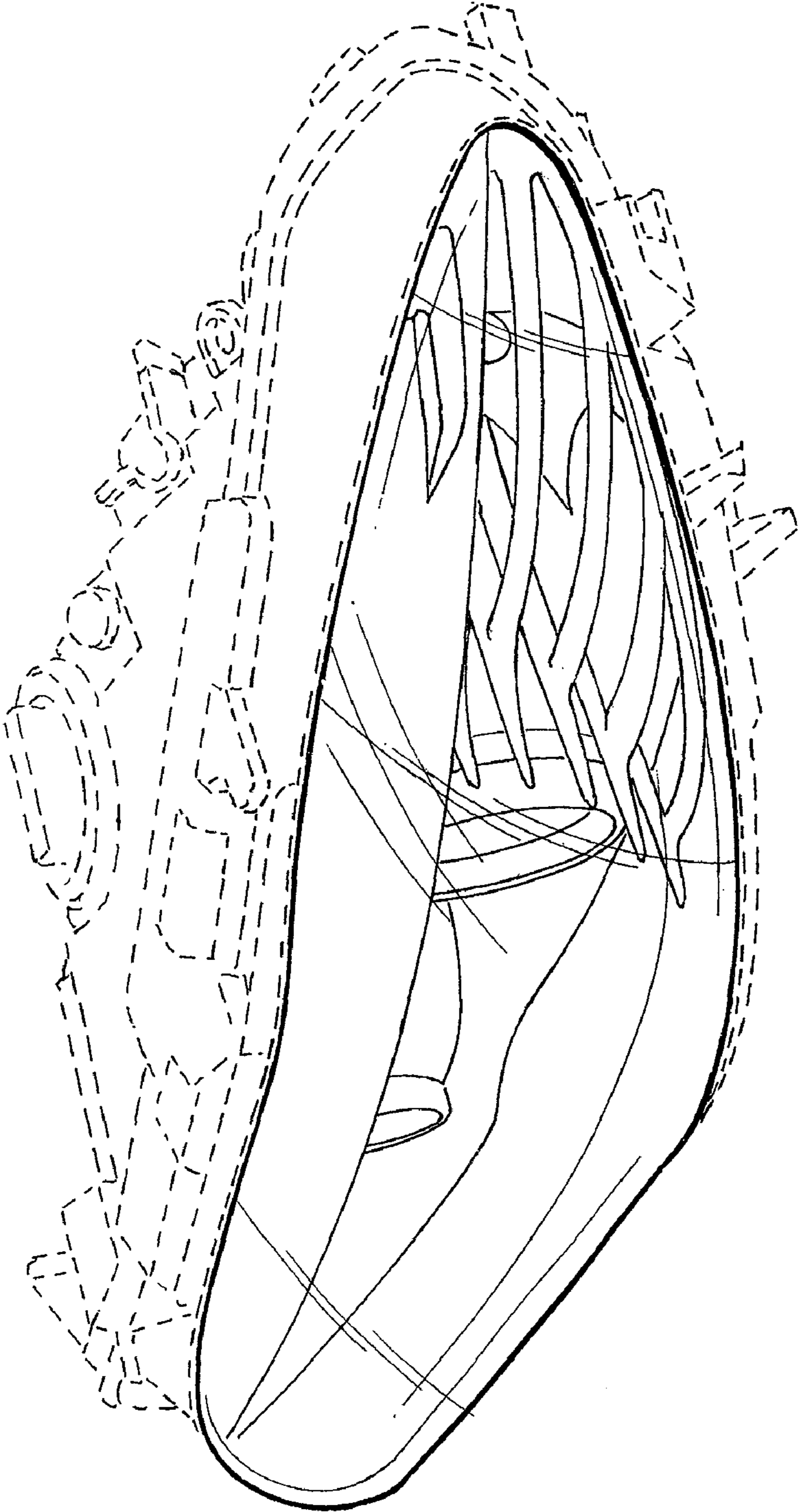


FIG. 1

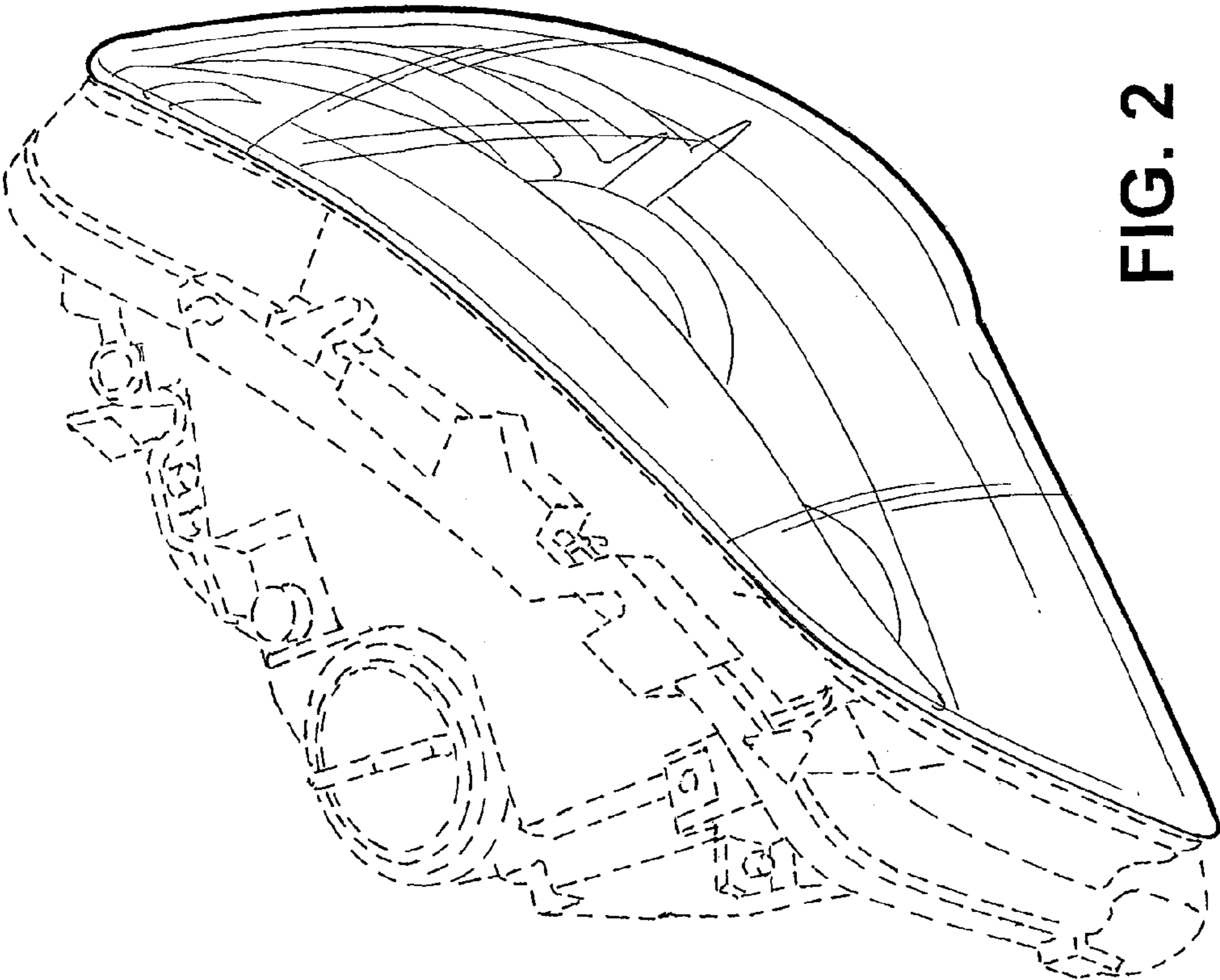


FIG. 2

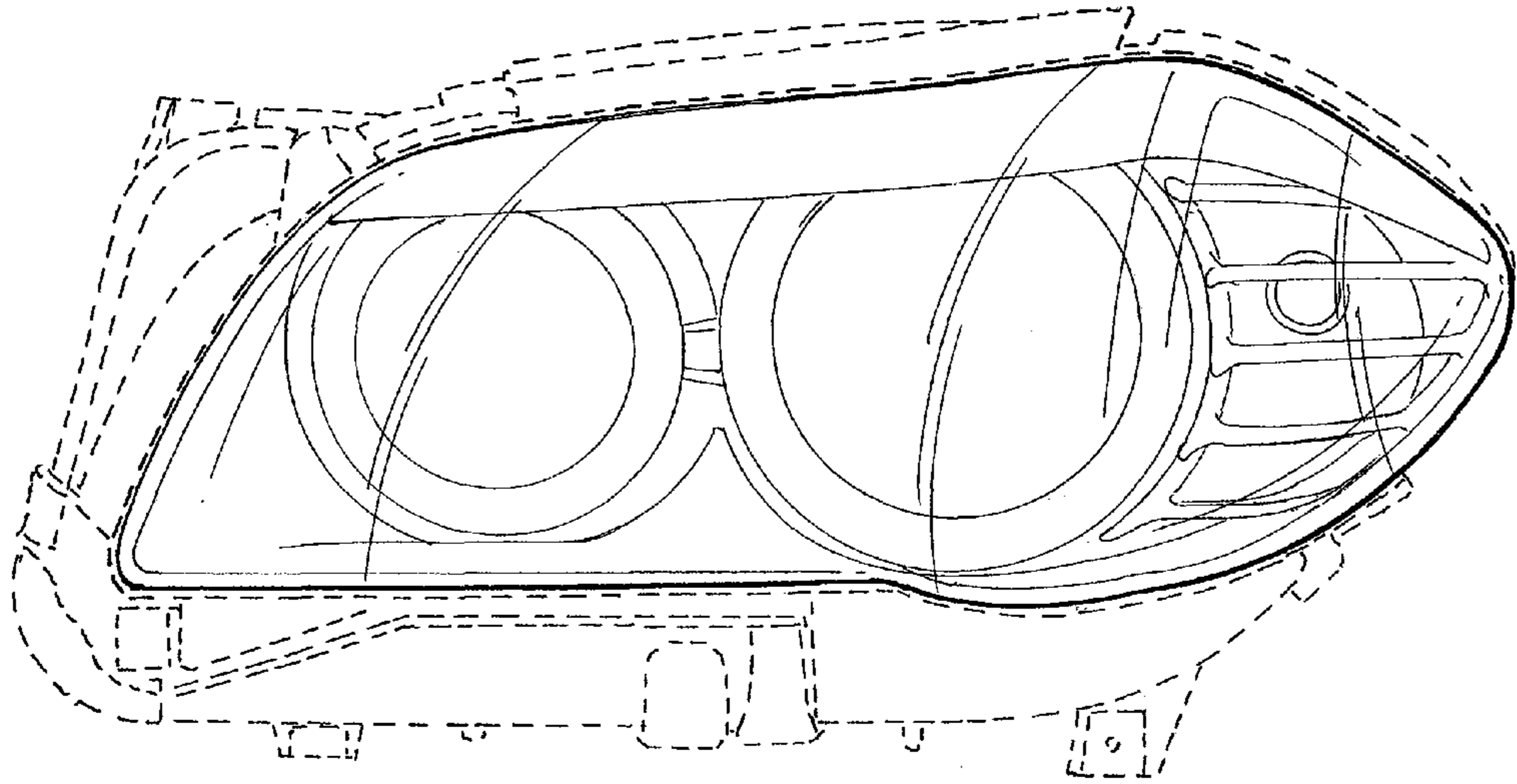


FIG. 3

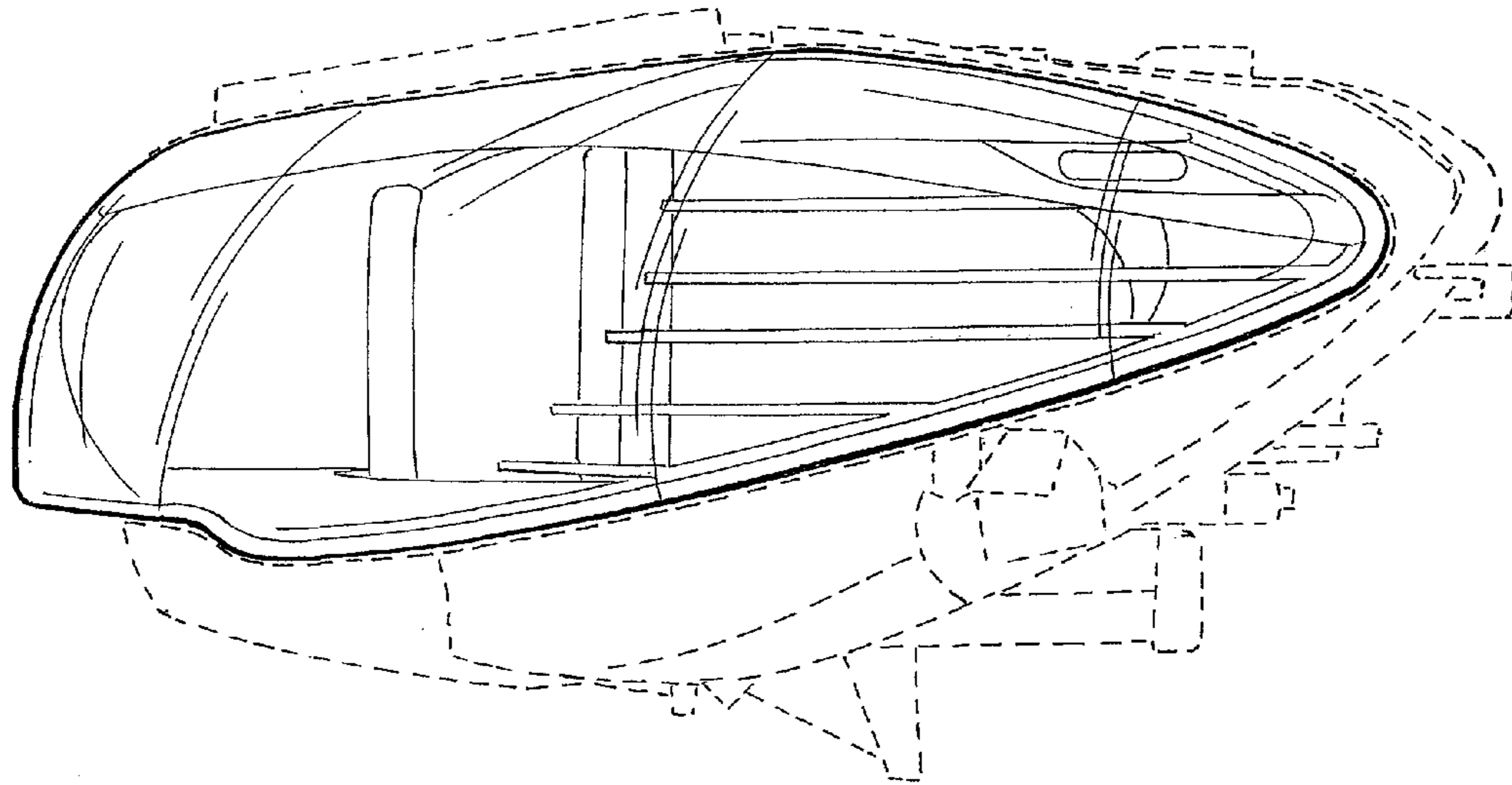


FIG. 4

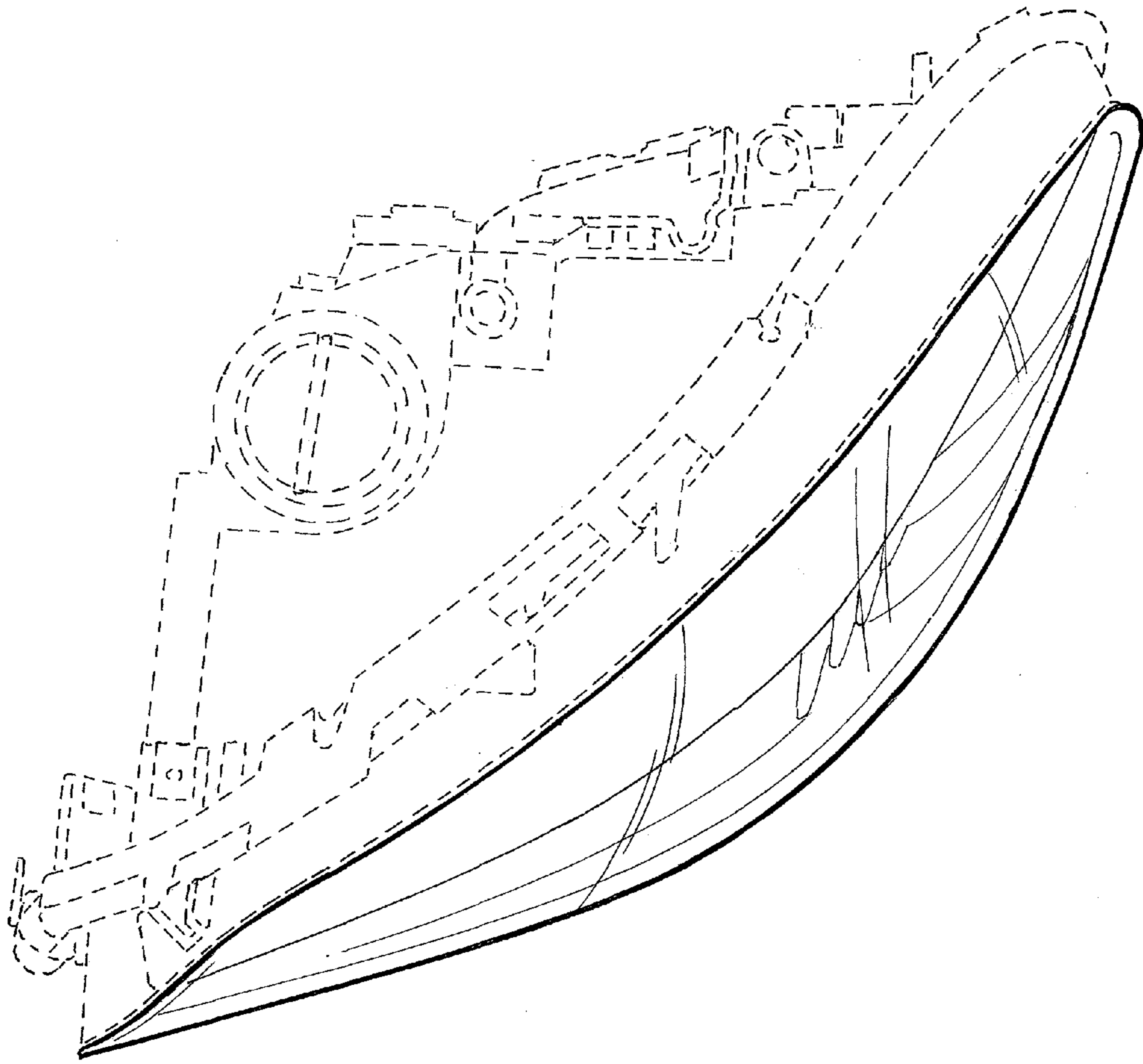


FIG. 5

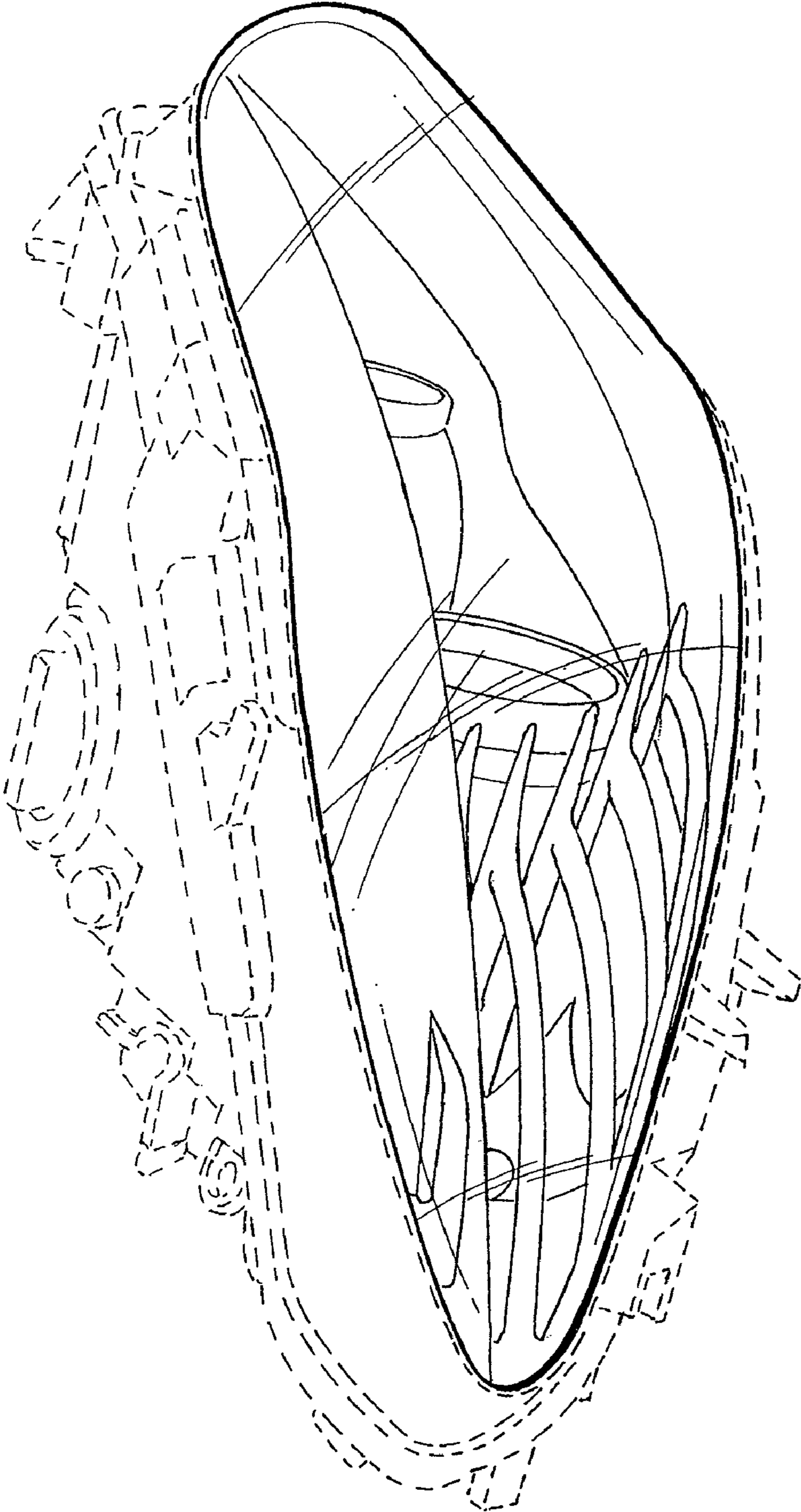


FIG. 6

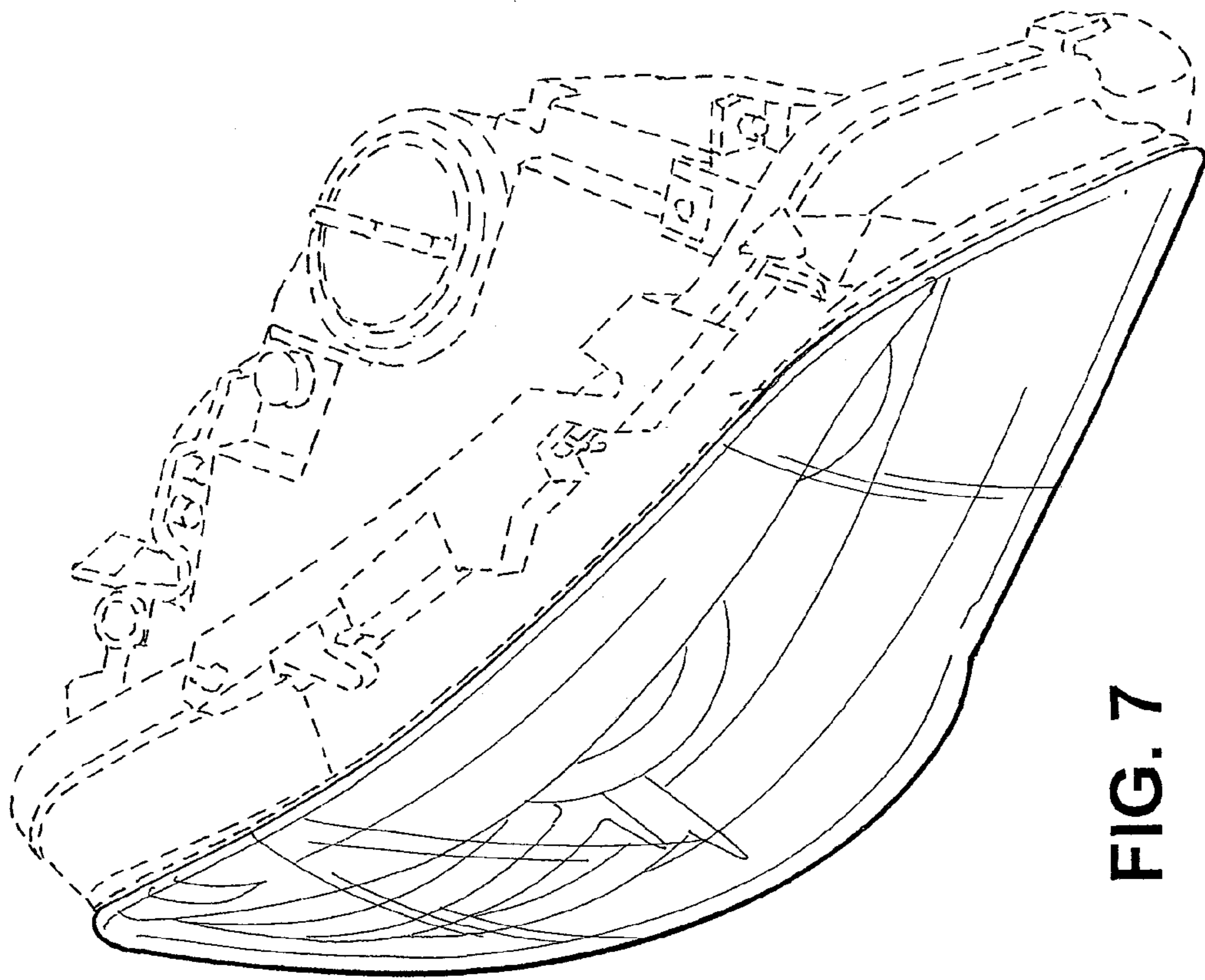


FIG. 7

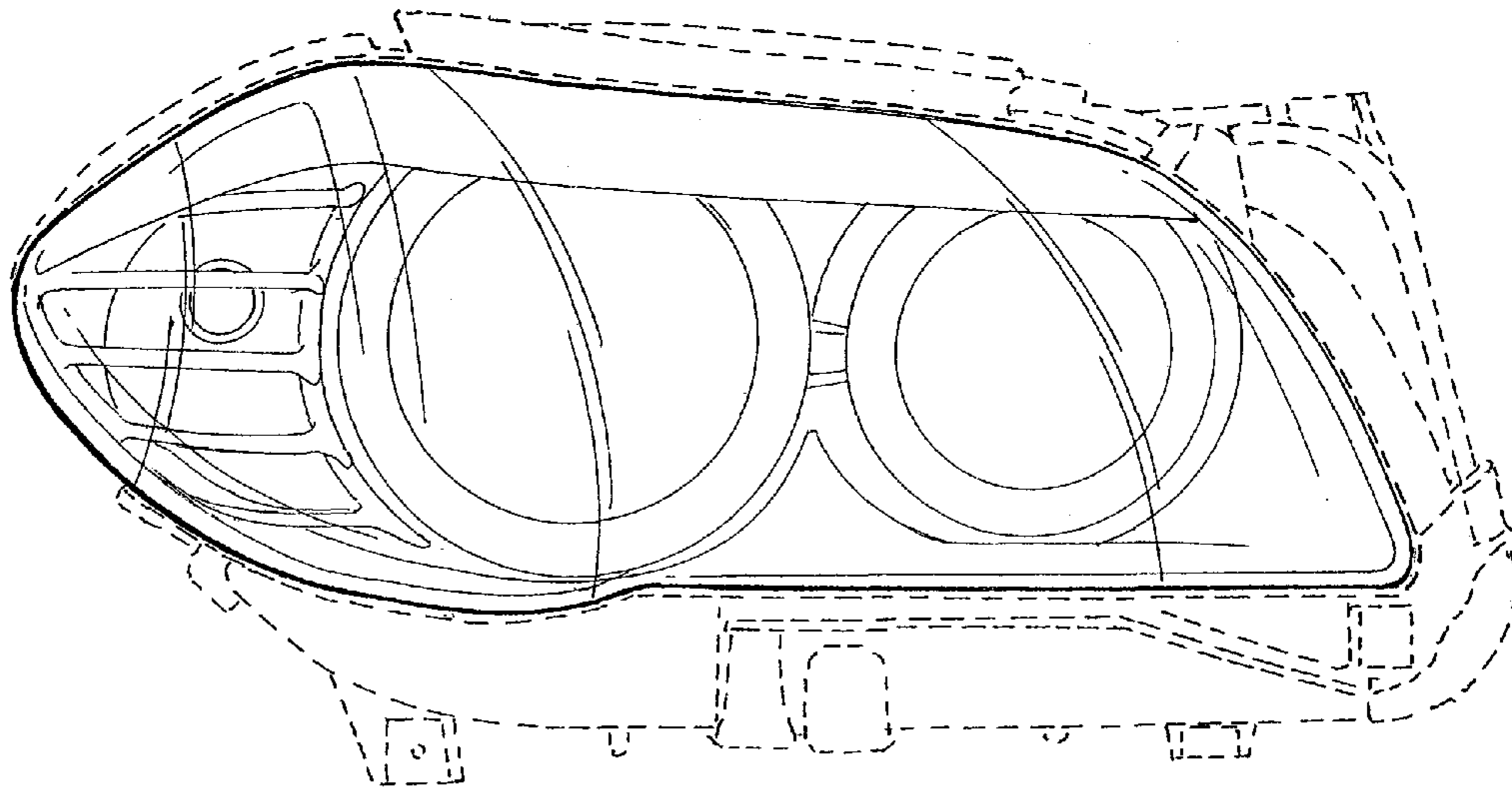


FIG. 8

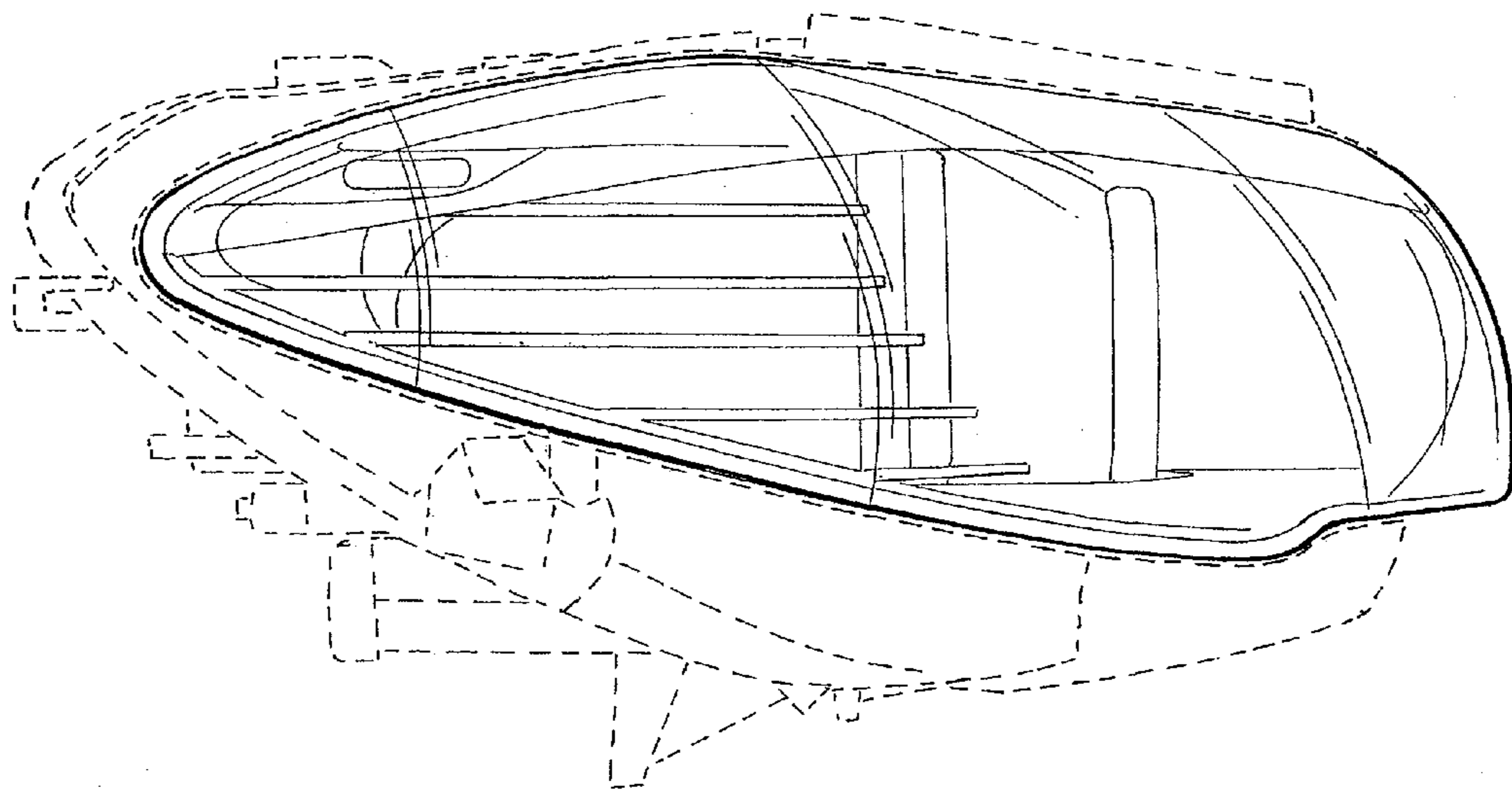


FIG. 9

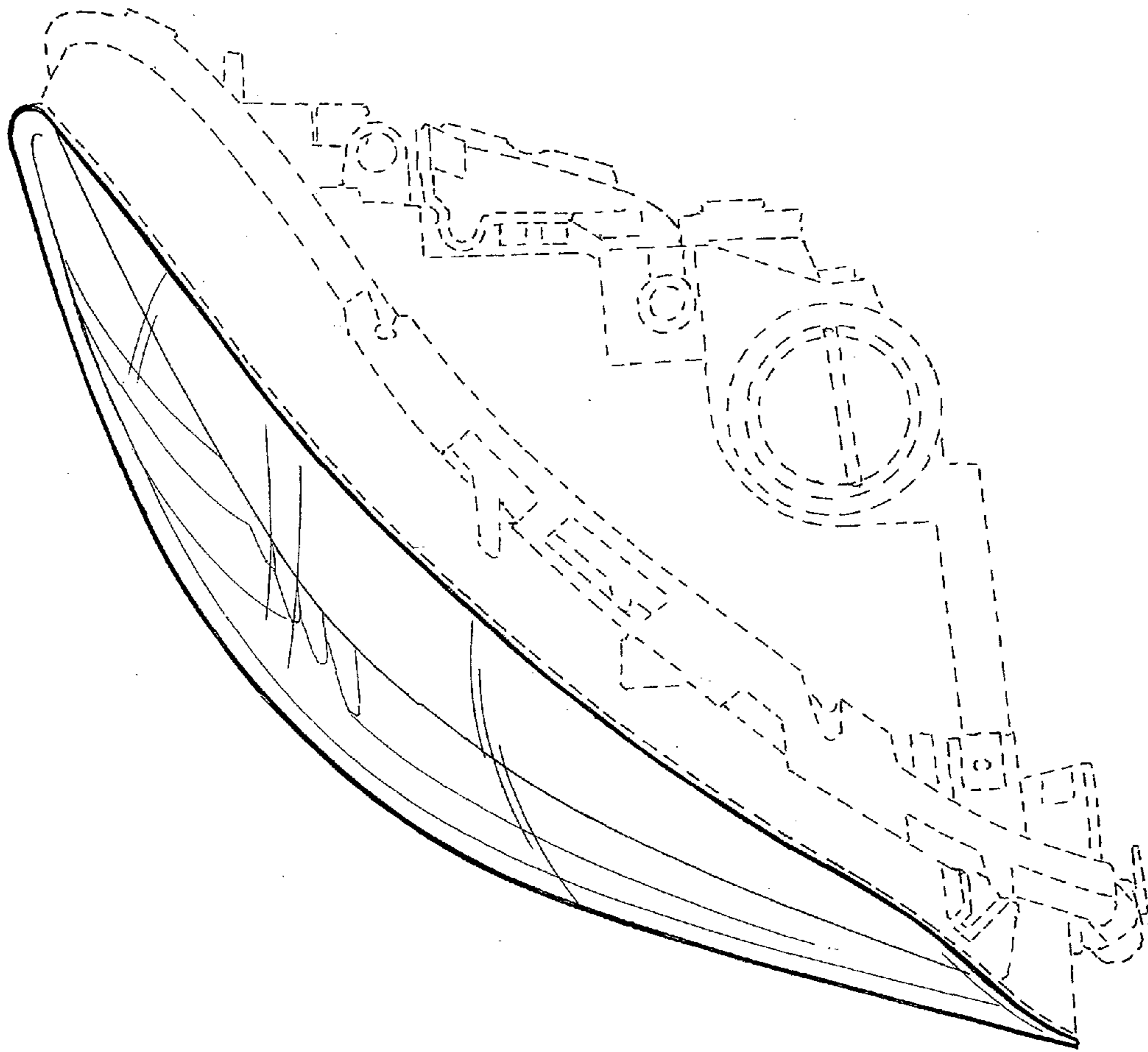


FIG. 10