



US00D642289S

(12) **United States Design Patent**
Kleene

(10) **Patent No.:** **US D642,289 S**

(45) **Date of Patent:** **** Jul. 26, 2011**

(54) **LIGHT EMITTING DIODE**

(75) Inventor: **Michael Kleene**, Bargtheide (DE)

(73) Assignee: **MK-Dent GmbH** (DE)

(**) Term: **14 Years**

(21) Appl. No.: **29/361,936**

(22) Filed: **May 18, 2010**

(51) **LOC (9) Cl.** **26-04**

(52) **U.S. Cl.** **D26/1**

(58) **Field of Classification Search** D26/1-4;
362/157, 158, 183-208; 353/72, 97, 98,
353/109, 119

See application file for complete search history.

(56) **References Cited**

U.S. PATENT DOCUMENTS

D435,673 S *	12/2000	Schuda	D26/1
D446,321 S *	8/2001	Lin	D26/24
D464,744 S *	10/2002	Kato et al.	D26/1
D499,495 S *	12/2004	Walterscheid	D26/1

* cited by examiner

Primary Examiner — Marcus A Jackson

(74) *Attorney, Agent, or Firm* — Smith Risley Tempel Santos LLC; Laurence P. Colton

(57) **CLAIM**

The ornamental design for a light emitting diode, as shown and described.

DESCRIPTION

FIG. 1 is a top view of the light emitting diode of the present design.

FIG. 2 is a front elevation view of a first embodiment of the design of FIG. 1.

FIG. 3 is a side elevation view of the first embodiment of the design of FIG. 1.

FIG. 4 is a front elevation view of a second embodiment of the design of FIG. 1.

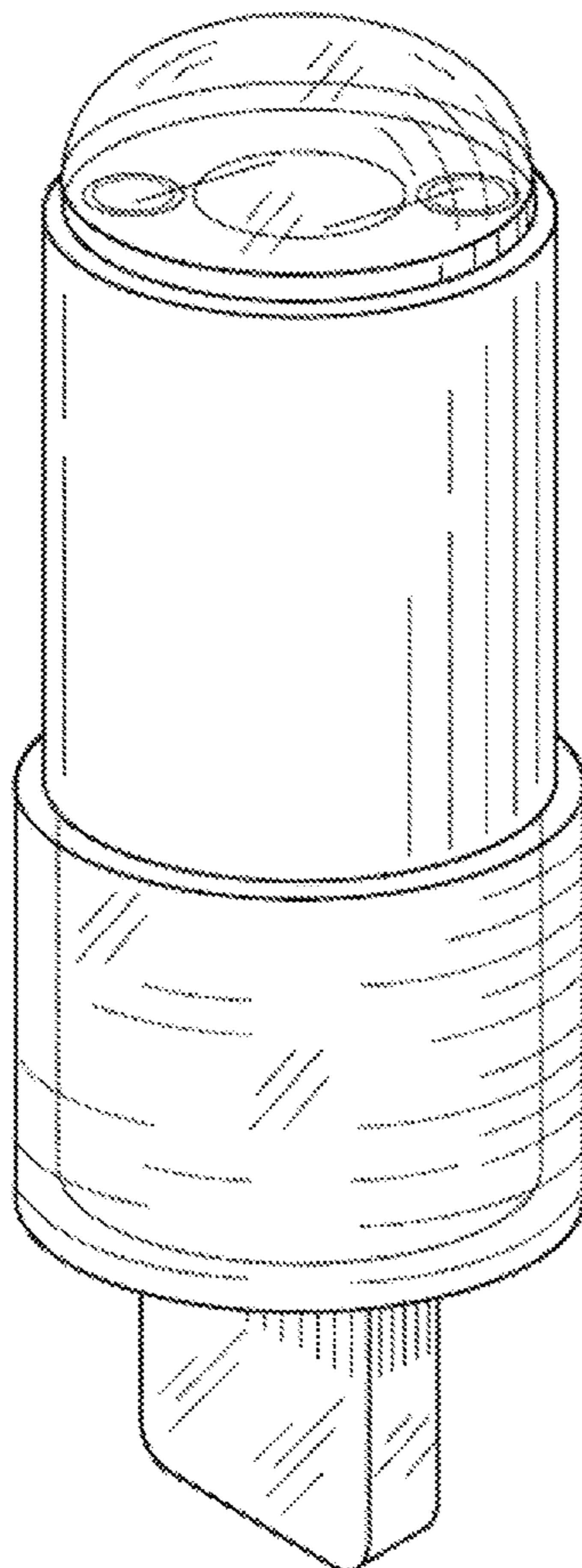
FIG. 5 is a side elevation view of the second embodiment of the design of FIG. 1.

FIG. 6 is a bottom view of the design of FIG. 1.

FIG. 7 is a perspective view of the first embodiment of the design of FIG. 1; and,

FIG. 8 is a perspective view of the second embodiment of the design of FIG. 1.

1 Claim, 8 Drawing Sheets



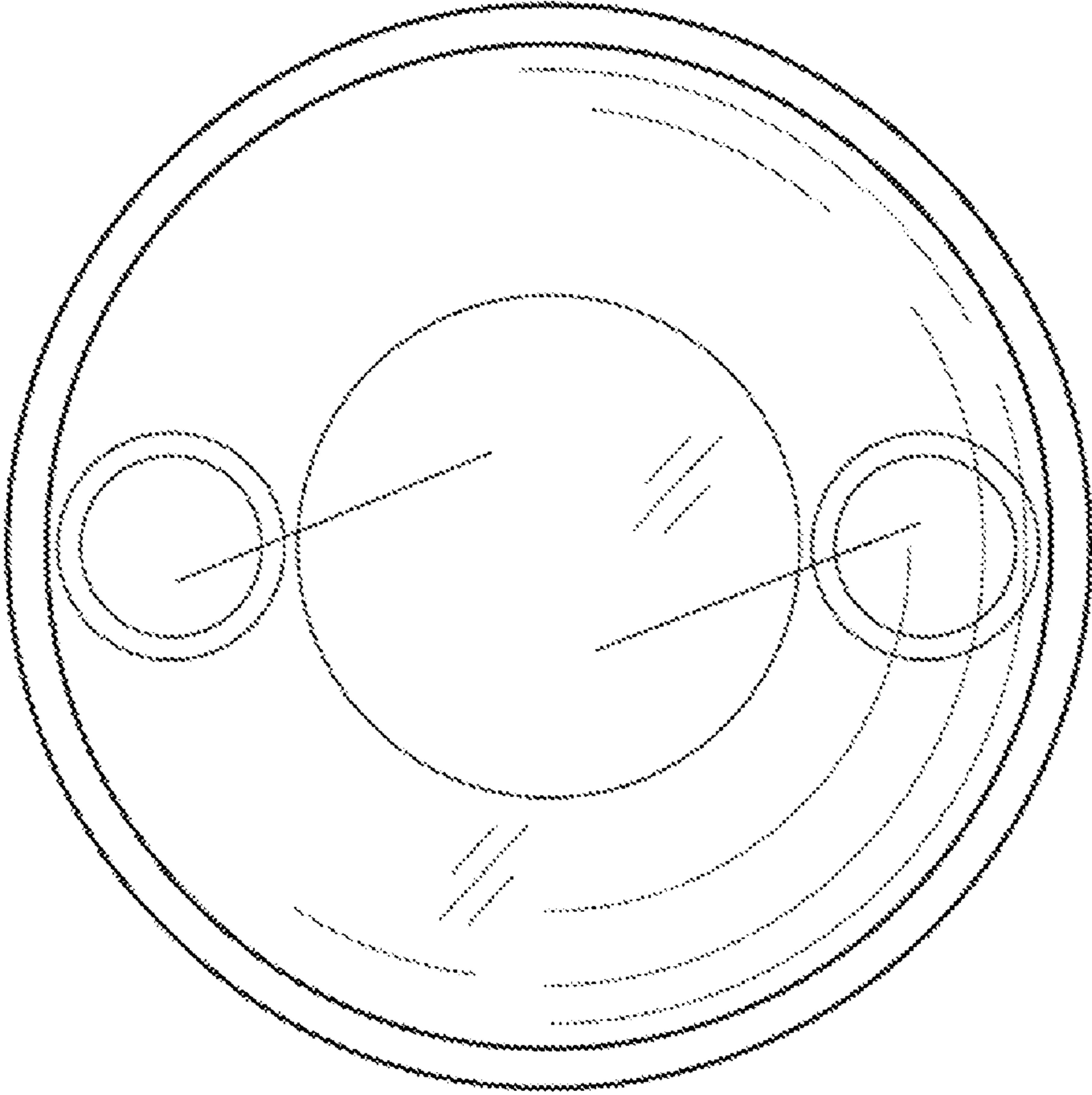


Fig. 1

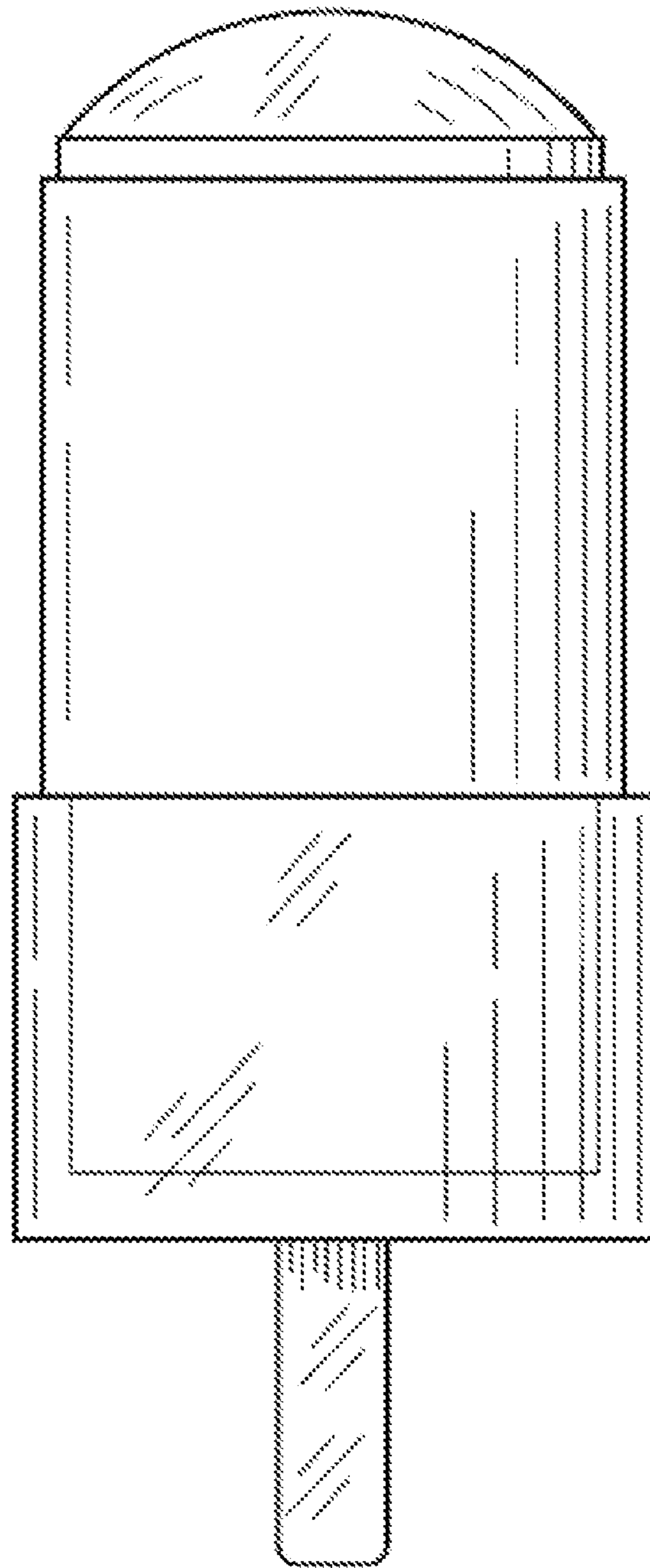


Fig. 2

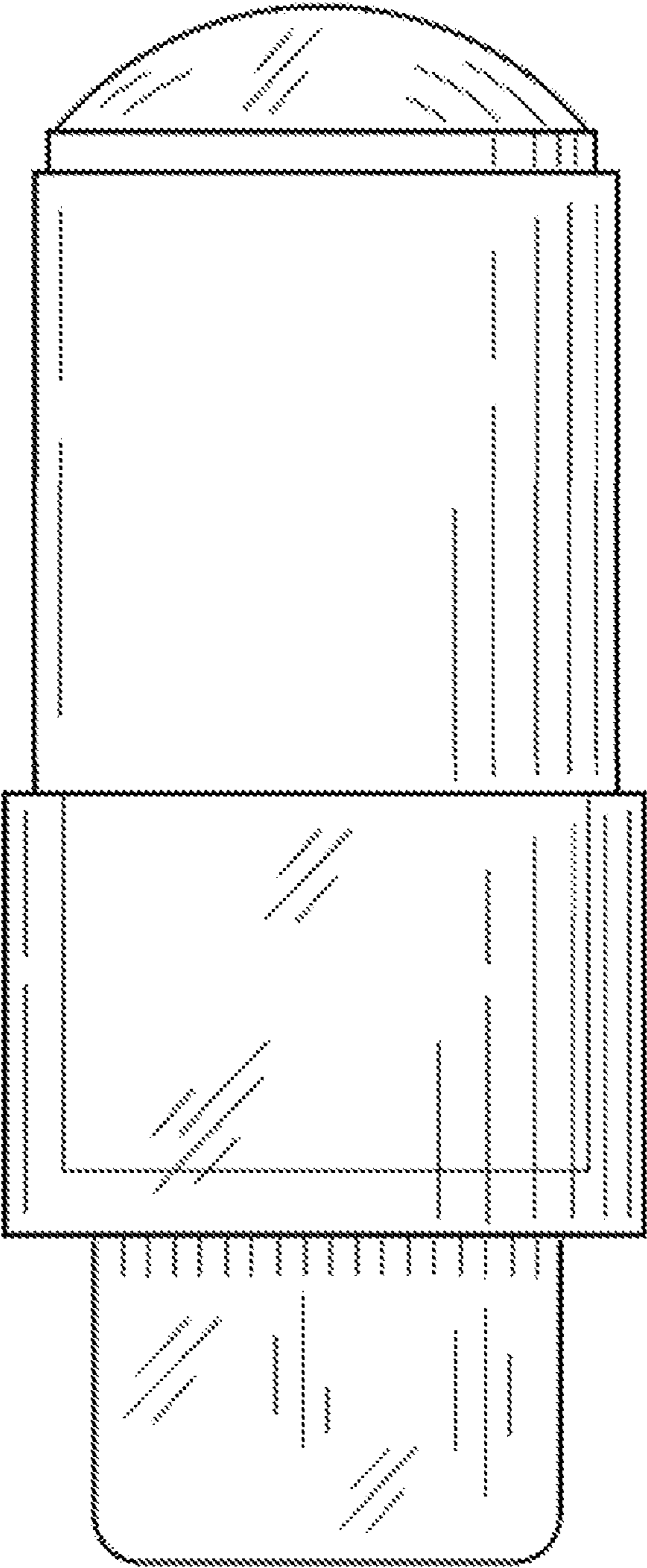


Fig. 3

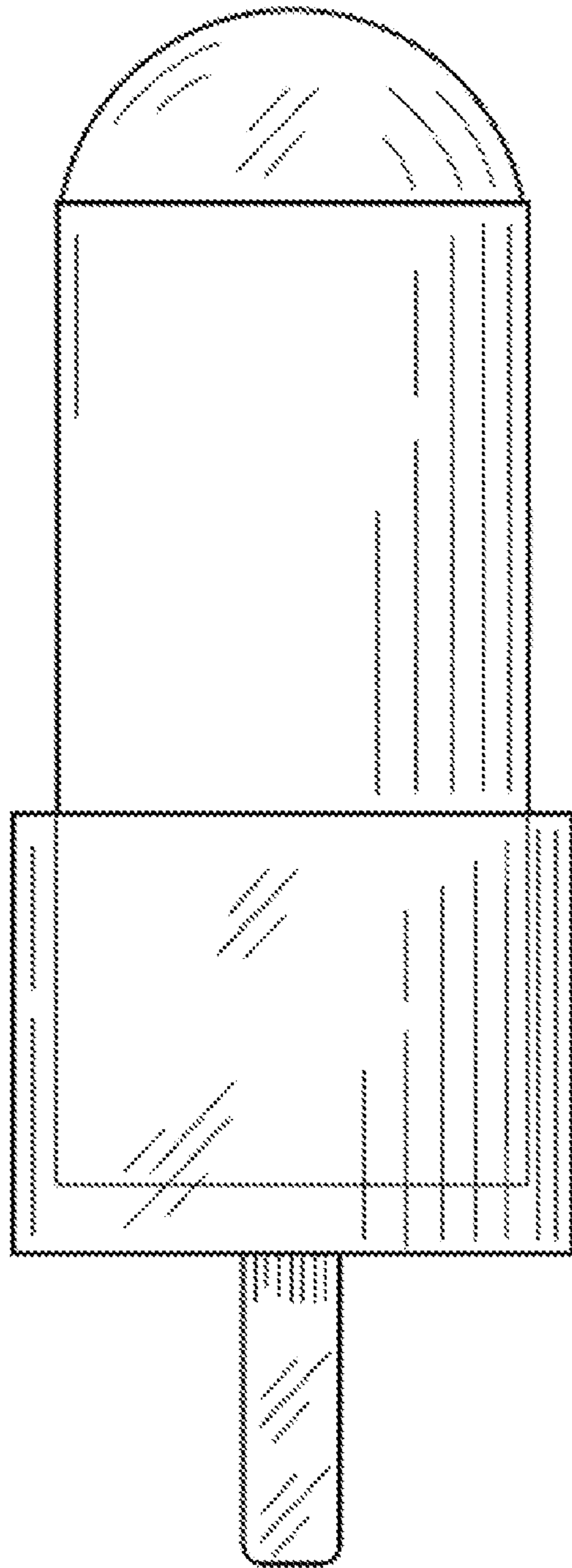


Fig. 4

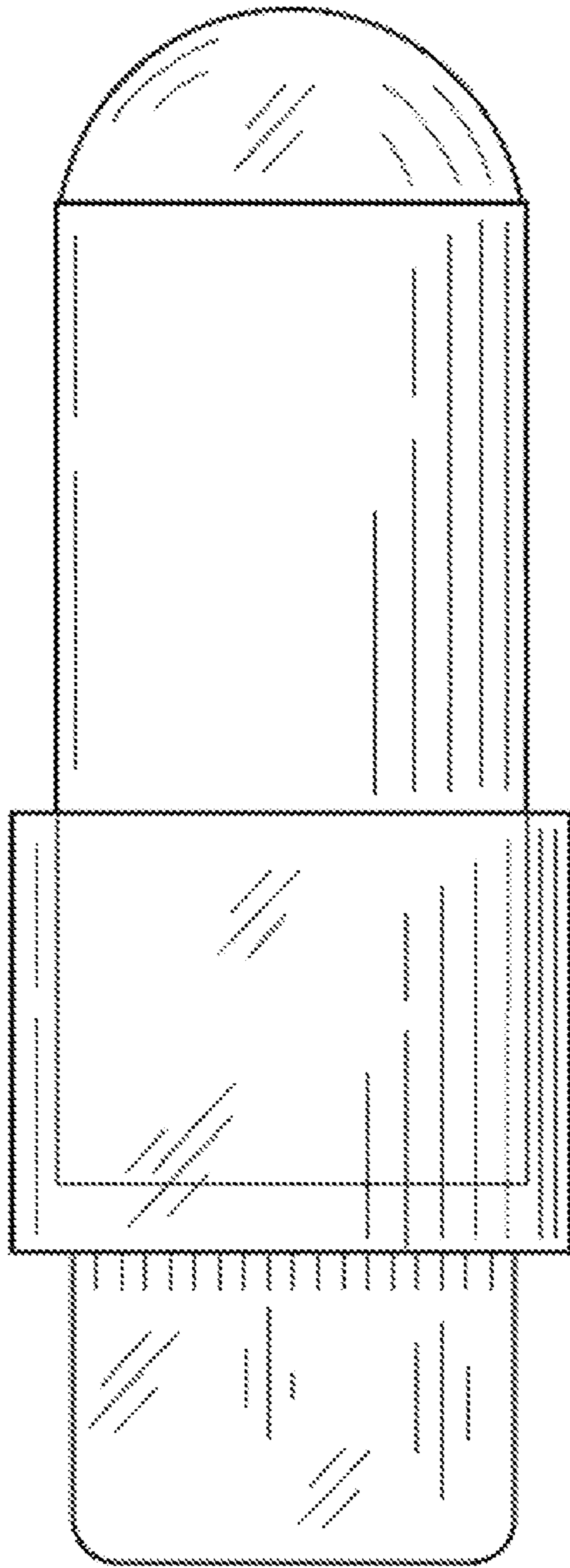


Fig. 5

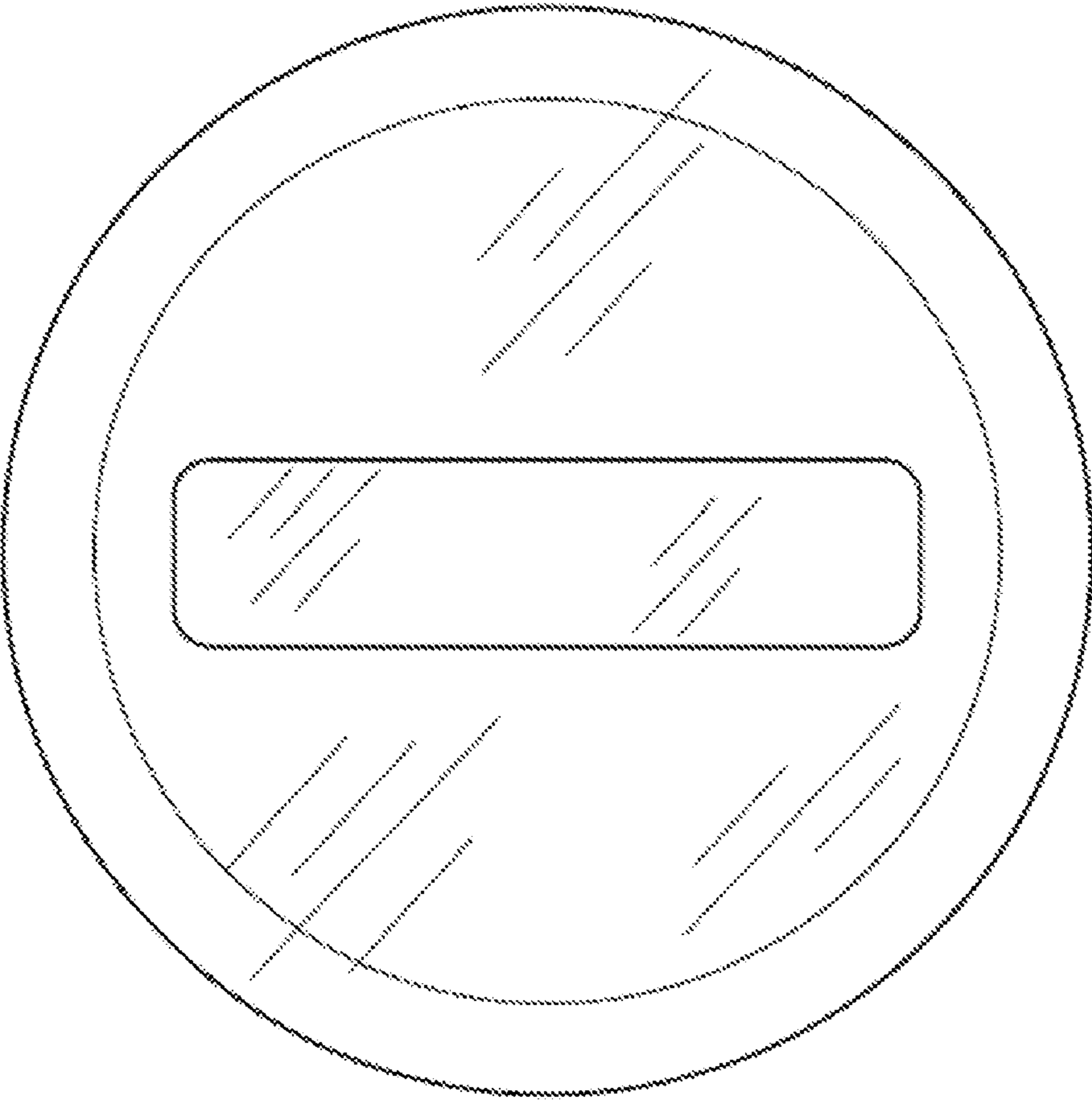


Fig. 6

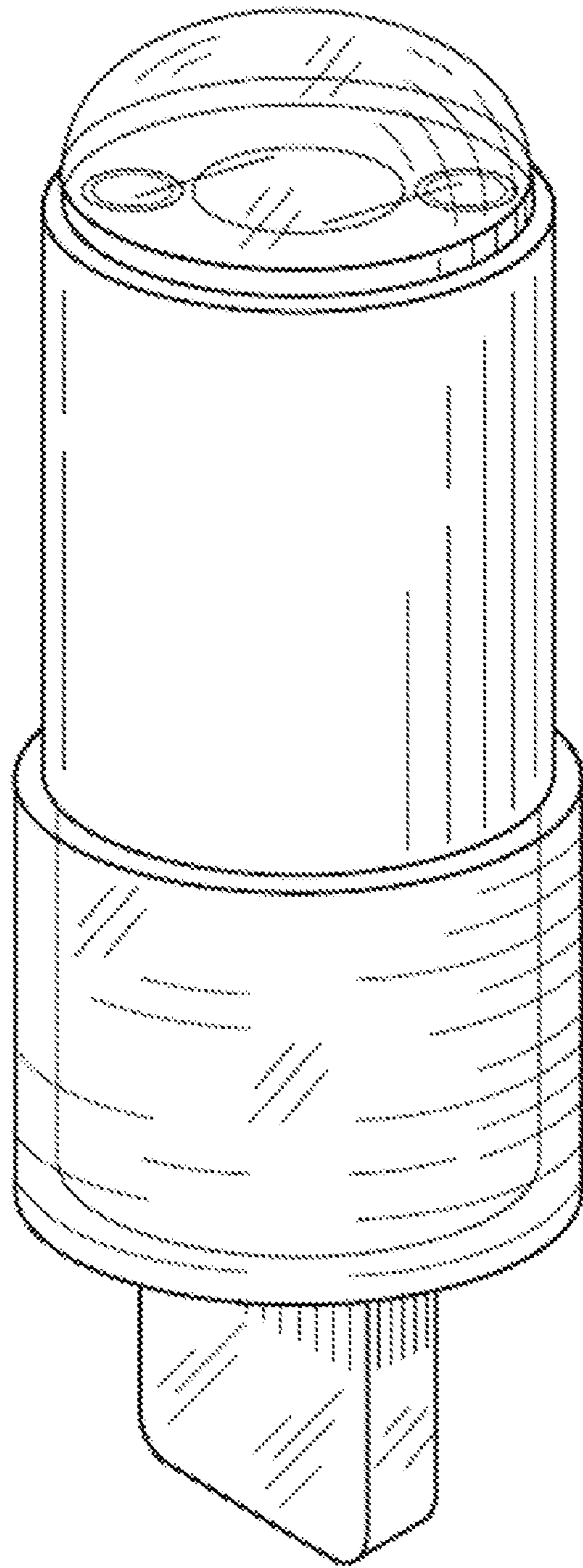


Fig. 7

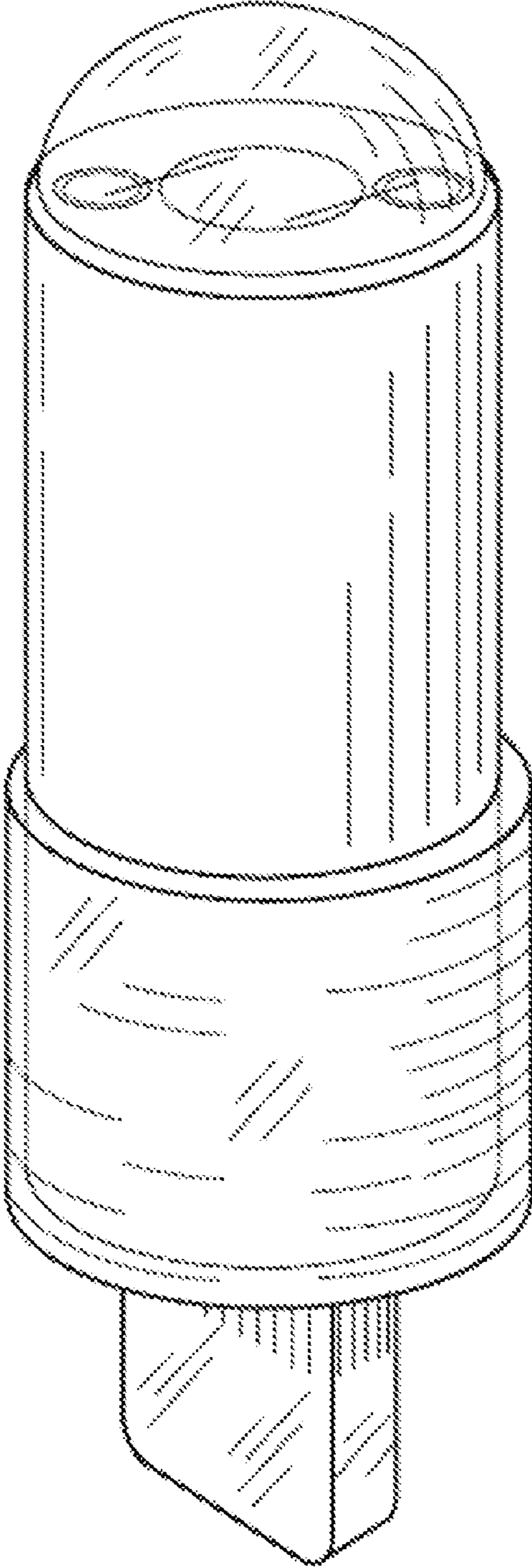


Fig. 8