



US00D642281S

(12) **United States Design Patent**
Bachinski

(10) **Patent No.:** **US D642,281 S**

(45) **Date of Patent:** **** *Jul. 26, 2011**

(54) **ELECTRICAL STIMULATION CONTROLLER**

(75) Inventor: **Thomas Jerome Bachinski**, Lakeville, MN (US)

(73) Assignee: **Empi, Inc.**, St. Paul, MN (US)

(*) Notice: This patent is subject to a terminal disclaimer.

(**) Term: **14 Years**

(21) Appl. No.: **29/328,333**

(22) Filed: **Nov. 21, 2008**

(51) **LOC (9) Cl.** **24-04**

(52) **U.S. Cl.** **D24/200**

(58) **Field of Classification Search** D24/200, D24/170, 214, 215; 434/262; 607/1, 2, 3, 607/46, 48, 55, 59, 60, 63, 72
See application file for complete search history.

(56) **References Cited**

U.S. PATENT DOCUMENTS

4,989,605	A *	2/1991	Rossen	607/46
D323,561	S *	1/1992	Bartelt et al.	D24/200
5,549,656	A *	8/1996	Reiss	607/48
D399,970	S *	10/1998	Agarwala et al.	D24/200

D450,388	S *	11/2001	Nakanishi et al.	D24/200
6,445,955	B1 *	9/2002	Michelson et al.	607/46
D482,453	S *	11/2003	Wade	D24/200
D498,302	S *	11/2004	Wade	D24/200
7,158,834	B2 *	1/2007	Paul, Jr.	607/48
D549,828	S *	8/2007	Wolfson	D24/170

* cited by examiner

Primary Examiner — Prabhakar Deshmukh

Assistant Examiner — Derrick Holland

(74) *Attorney, Agent, or Firm* — Ropes & Gray LLP

(57) **CLAIM**

The ornamental design for the electrical stimulation controller, as shown and described.

DESCRIPTION

FIG. 1 is a top perspective view of the electrical stimulation controller.

FIG. 2 is a top view thereof.

FIG. 3 is a bottom view thereof.

FIG. 4 is an end view thereof.

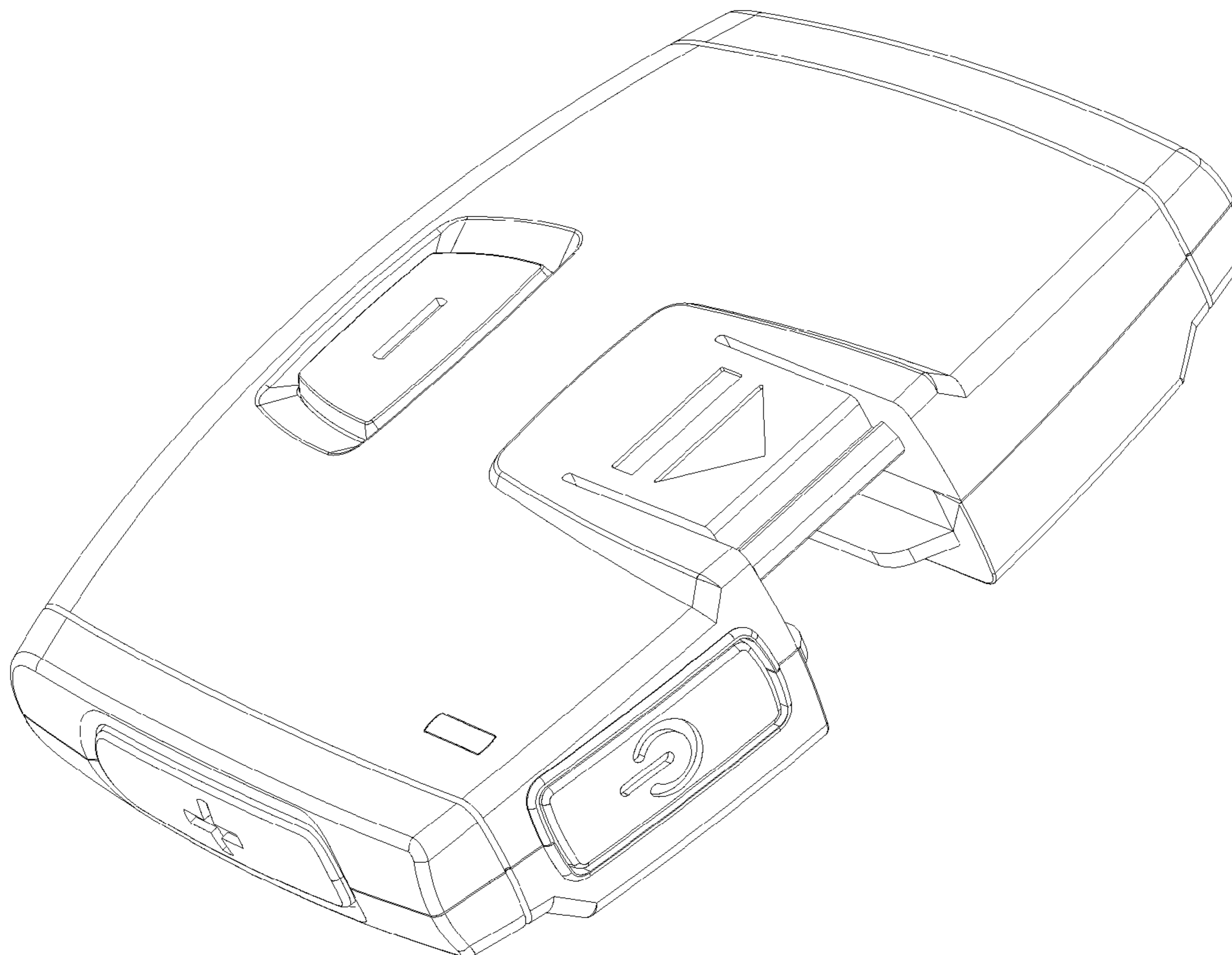
FIG. 5 is an opposite end view thereof.

FIG. 6 is a side view thereof; and,

FIG. 7 is an opposite side view thereof.

The broken lines shown represent unclaimed subject matter and form no part of the claimed design.

1 Claim, 7 Drawing Sheets



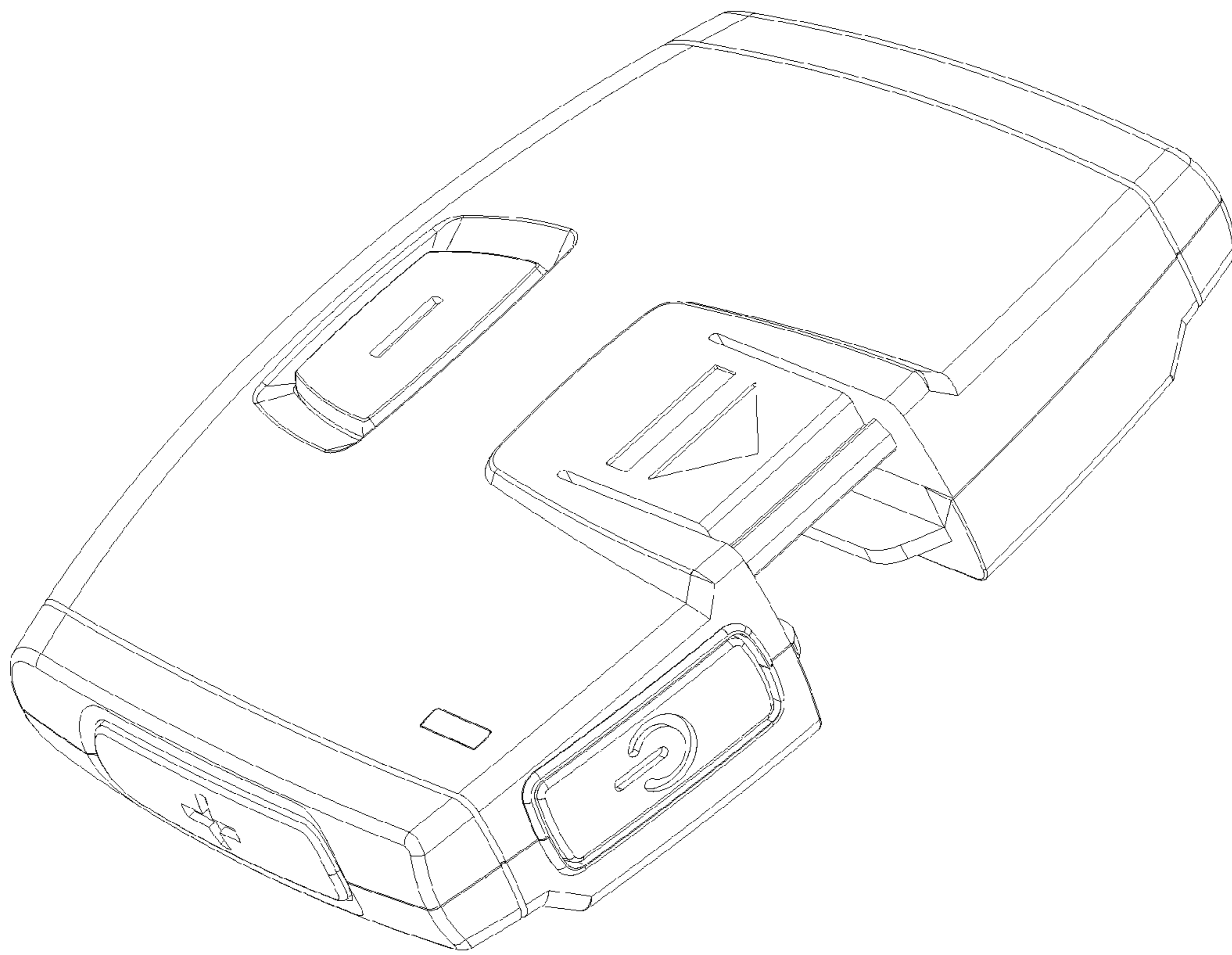


Figure 1

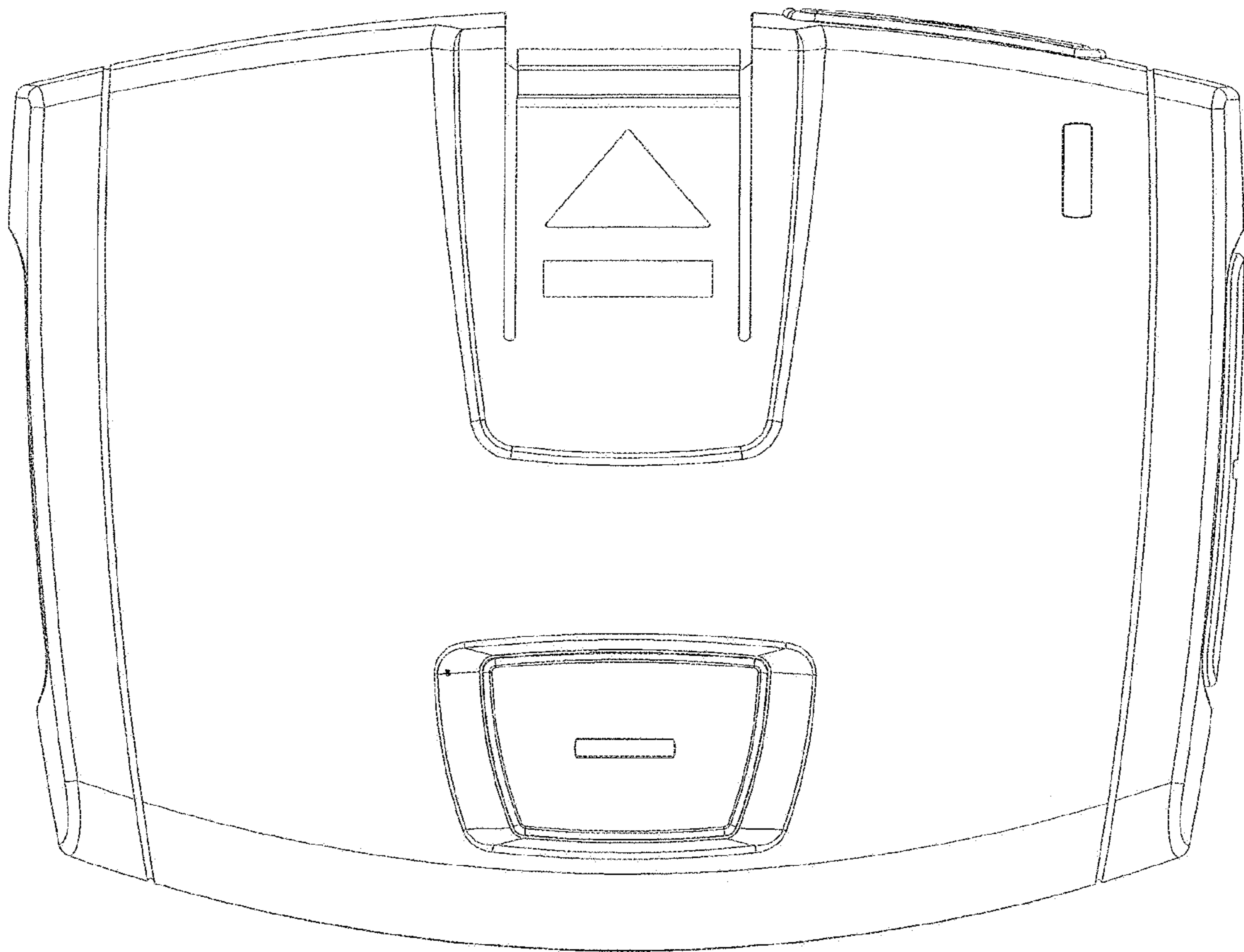


Figure 2

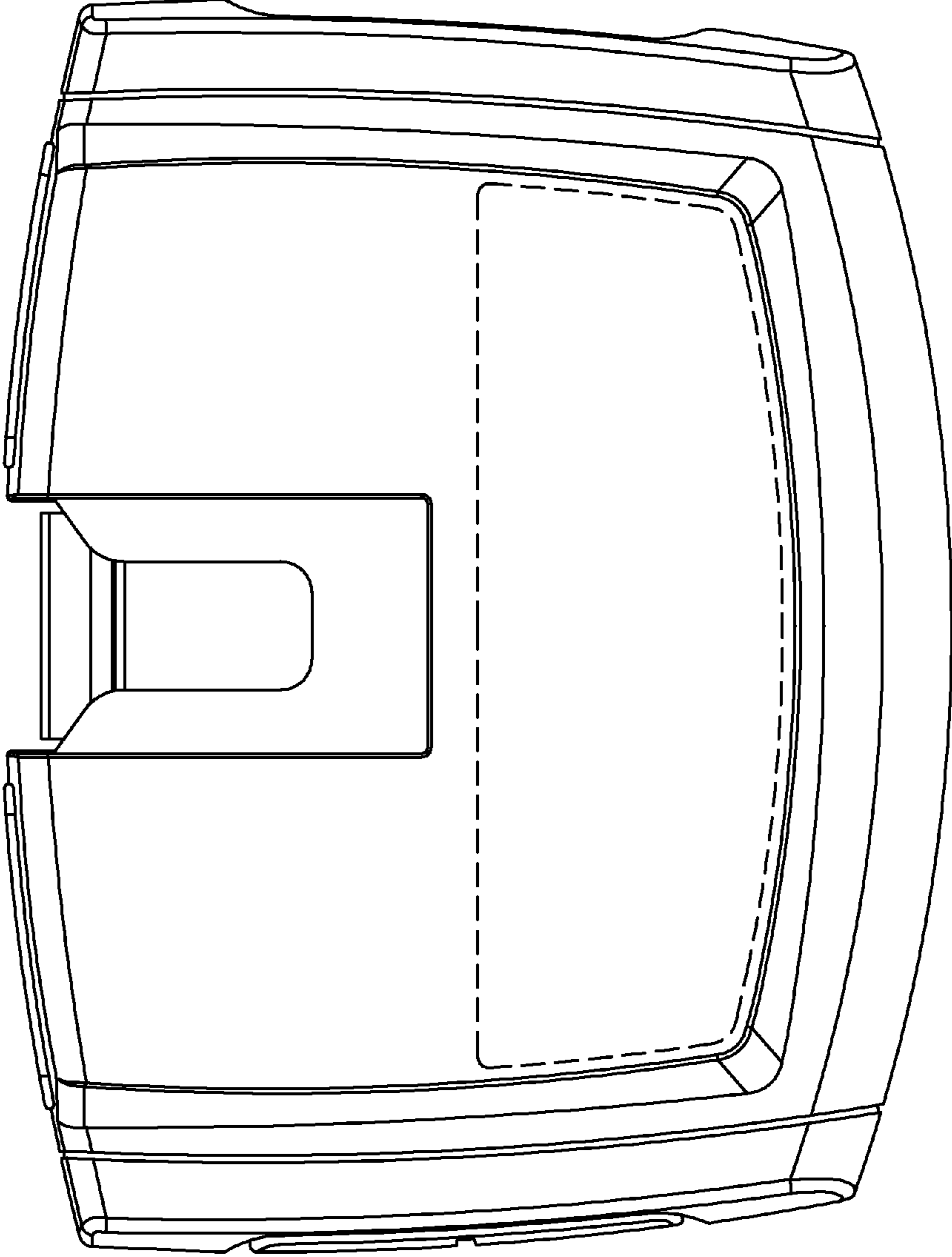


Figure 3

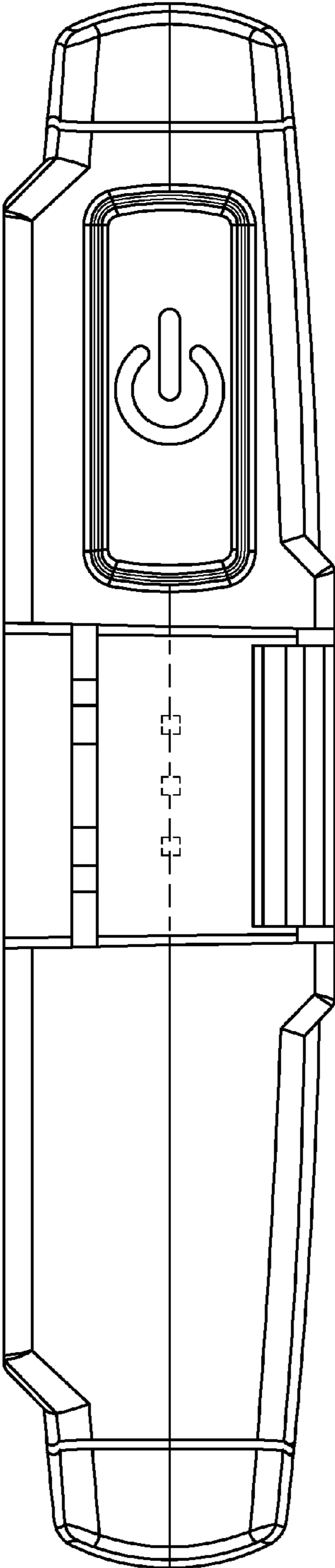


Figure 4

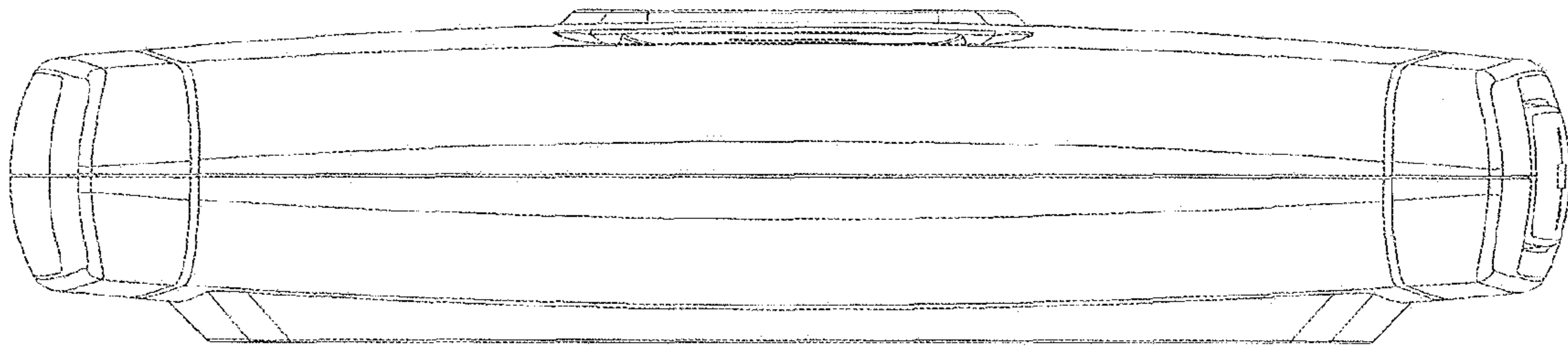


Figure 5

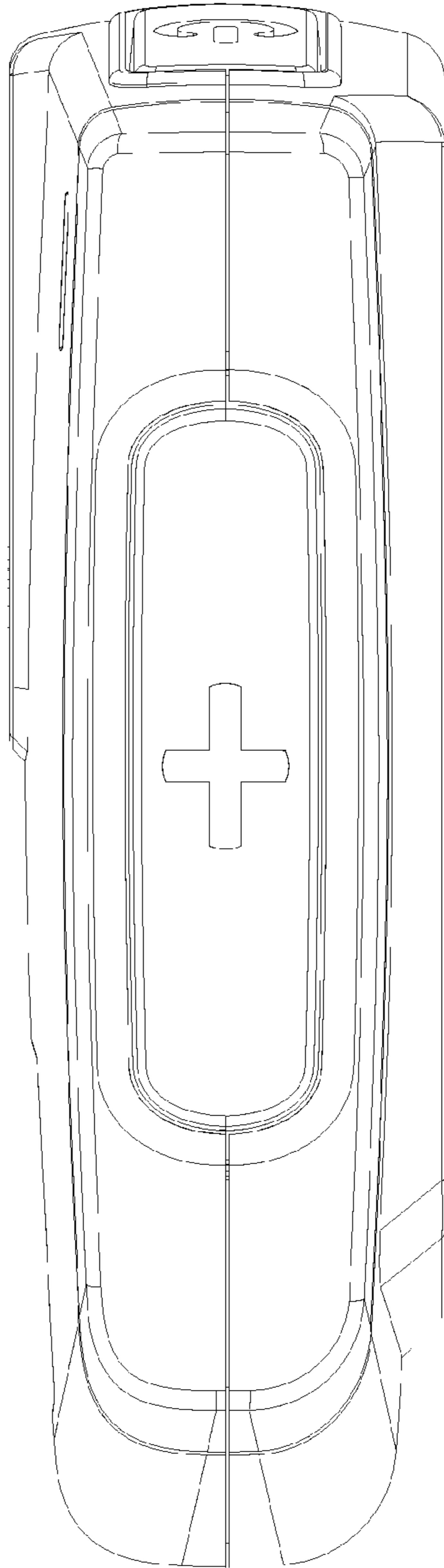


Figure 6

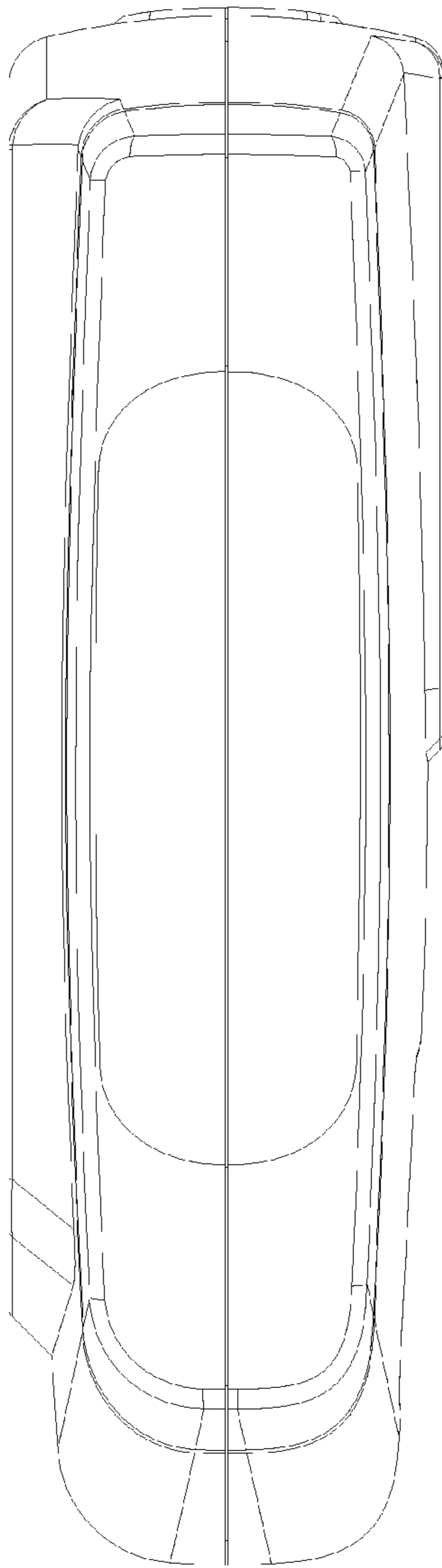


Figure 7