

US00D642280S

(12) **United States Design Patent**
Goumas

(10) **Patent No.:** **US D642,280 S**
(45) **Date of Patent:** **** Jul. 26, 2011**

- (54) **ARM SLING**
- (75) Inventor: **Douglas Goumas**, Bedford, NH (US)
- (73) Assignee: **G Force Braces, LLC**, Bedford, NH (US)
- (**) Term: **14 Years**
- (21) Appl. No.: **29/381,424**
- (22) Filed: **Dec. 20, 2010**
- (51) **LOC (9) Cl.** **24-01**
- (52) **U.S. Cl.** **D24/190; D24/183**
- (58) **Field of Classification Search** D24/183, D24/184, 190; D6/601; 602/4-6, 20, 28, 602/62; 128/877, 878, 892; 5/646-648, 5/632
See application file for complete search history.

D396,291 S	7/1998	Bakes	
D413,982 S	9/1999	Swedberg et al.	
D415,281 S	10/1999	Swedberg et al.	
D422,362 S	4/2000	Ames	
6,047,420 A	4/2000	Priester, III et al.	
D426,307 S	6/2000	Swedberg et al.	
D447,568 S	9/2001	Hall et al.	
D475,757 S	6/2003	Silverman et al.	
6,691,353 B2	2/2004	Fuhriman	
7,017,215 B1 *	3/2006	Singer et al.	5/646
7,441,293 B1 *	10/2008	Singer et al.	5/646
D598,106 S *	8/2009	Goumas	D24/184
D624,344 S *	9/2010	Kashey	D6/601
2010/0121236 A1 *	5/2010	Goumas	602/4

* cited by examiner

Primary Examiner — Susan E Krakower
(74) *Attorney, Agent, or Firm* — Lipsitz & McAllister, LLC

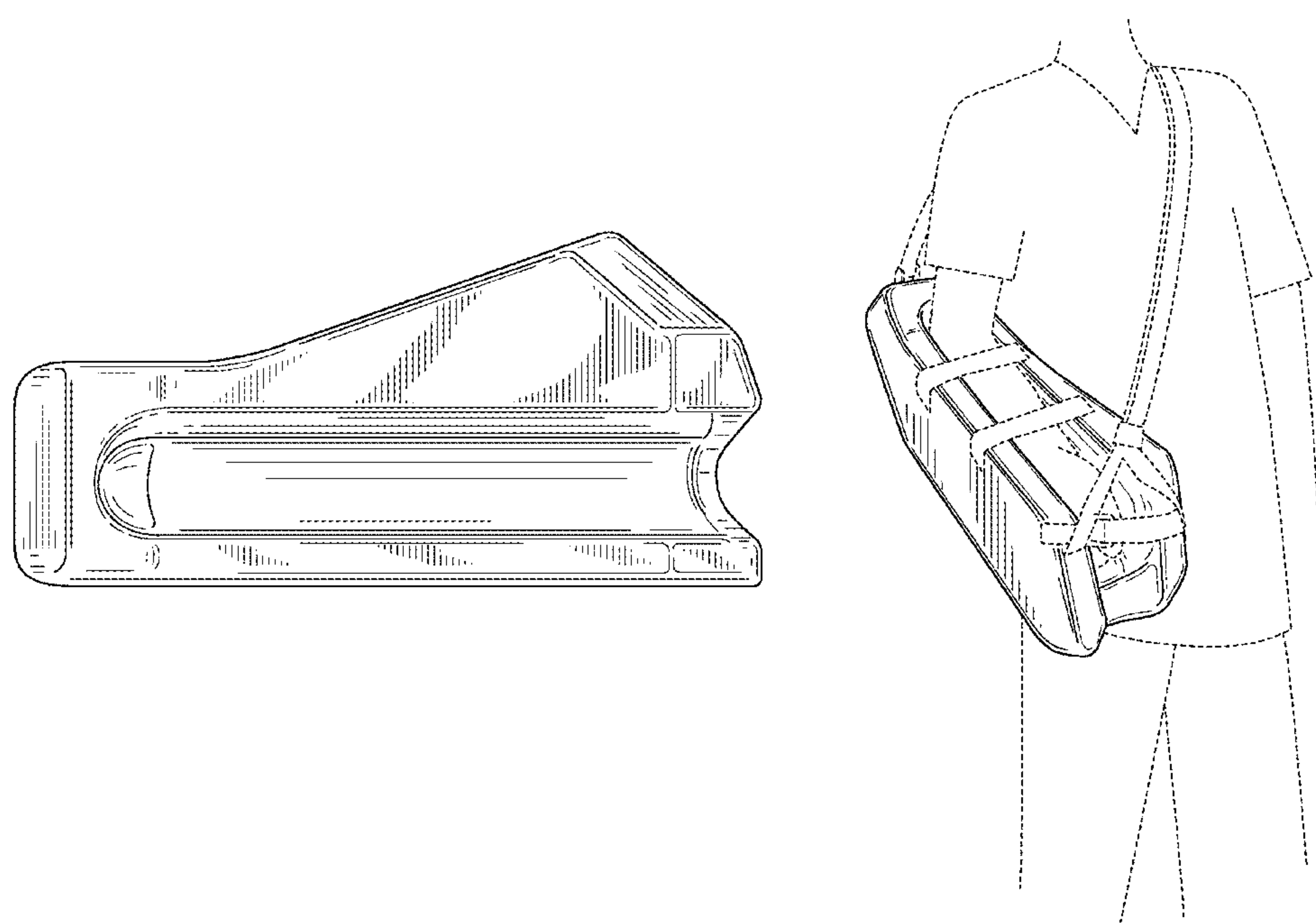
(57) **CLAIM**
The ornamental design for an arm sling, as shown and described.

- (56) **References Cited**
- U.S. PATENT DOCUMENTS
- D247,311 S 2/1978 Carter
- 4,173,048 A 11/1979 Varaney
- 4,186,738 A * 2/1980 Schleicher et al. 128/892
- 4,210,317 A * 7/1980 Spann et al. 5/647
- 4,270,235 A 6/1981 Gutmann
- 4,375,809 A 3/1983 Meals
- D287,641 S 1/1987 Schaefer
- D296,932 S * 7/1988 Traghese D24/183
- 4,896,660 A 1/1990 Scott
- D321,562 S 11/1991 Ljungvall
- D362,072 S * 9/1995 Sternberg D24/190
- 5,584,303 A * 12/1996 Walle 5/648
- 5,603,692 A * 2/1997 Maxwell 602/28
- D382,057 S * 8/1997 Swedberg et al. D24/183
- 5,716,334 A * 2/1998 Wade 602/6

DESCRIPTION

FIG. 1 is a front, top, and left side perspective view showing the design;
FIG. 2 is a top plan view the design;
FIG. 3 is a left side elevational view of design;
FIG. 4 is a rear elevational view of the design;
FIG. 5 is a front elevational view of the design;
FIG. 6 is a right side elevational view of the design;
FIG. 7 is a bottom plan view of the design; and,
FIG. 8 is a front, top and left side perspective view of the design.
The broken lines illustrate environmental structure which forms no part of the claimed design.

1 Claim, 5 Drawing Sheets



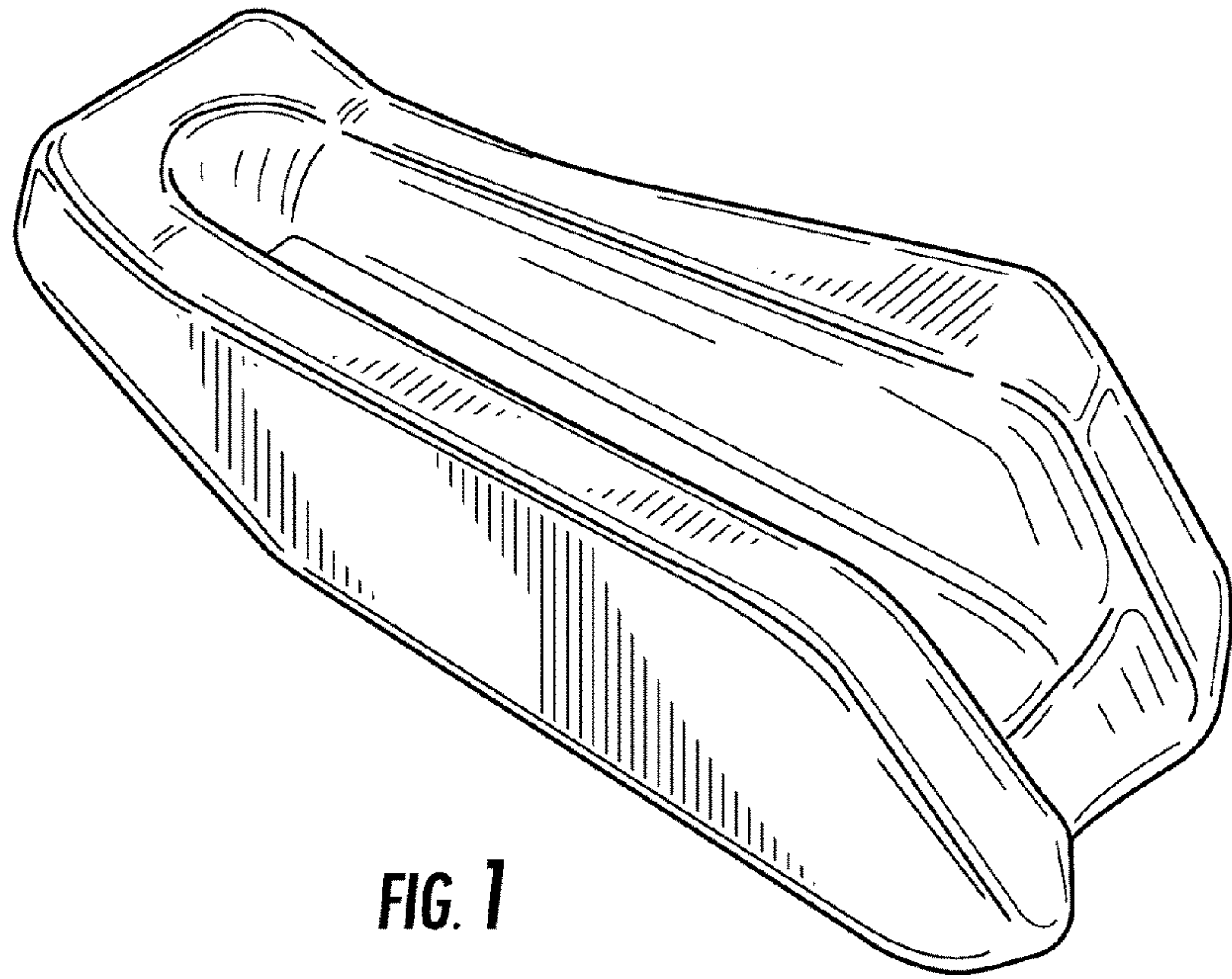


FIG. 1

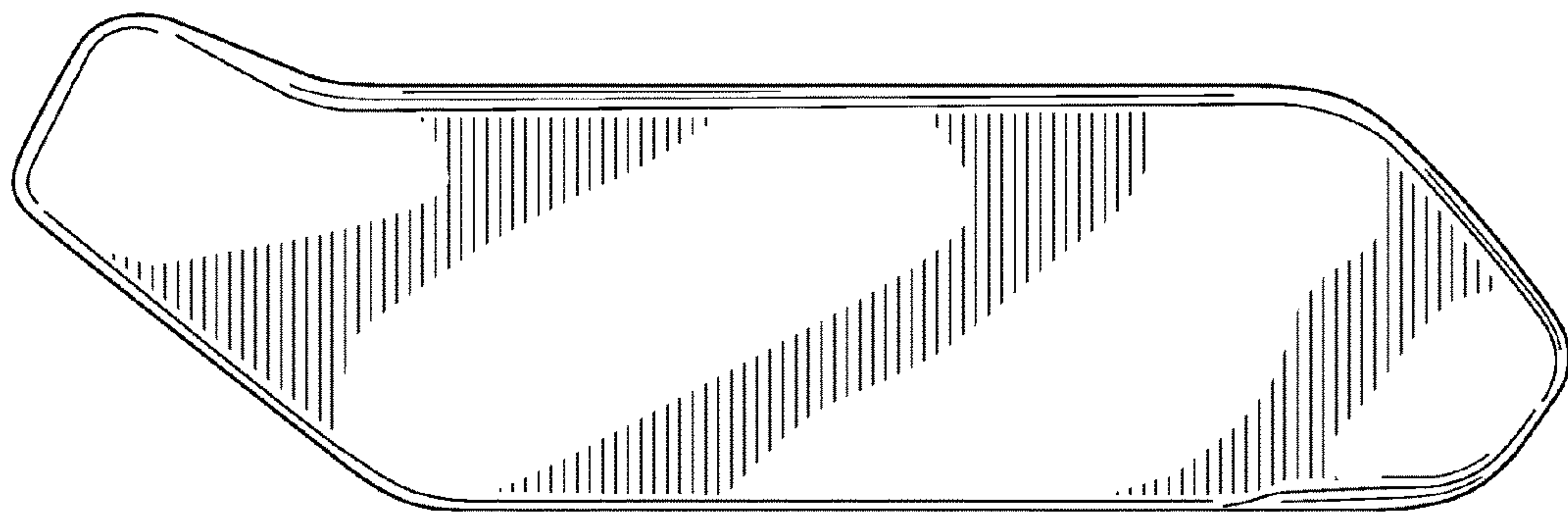


FIG. 3

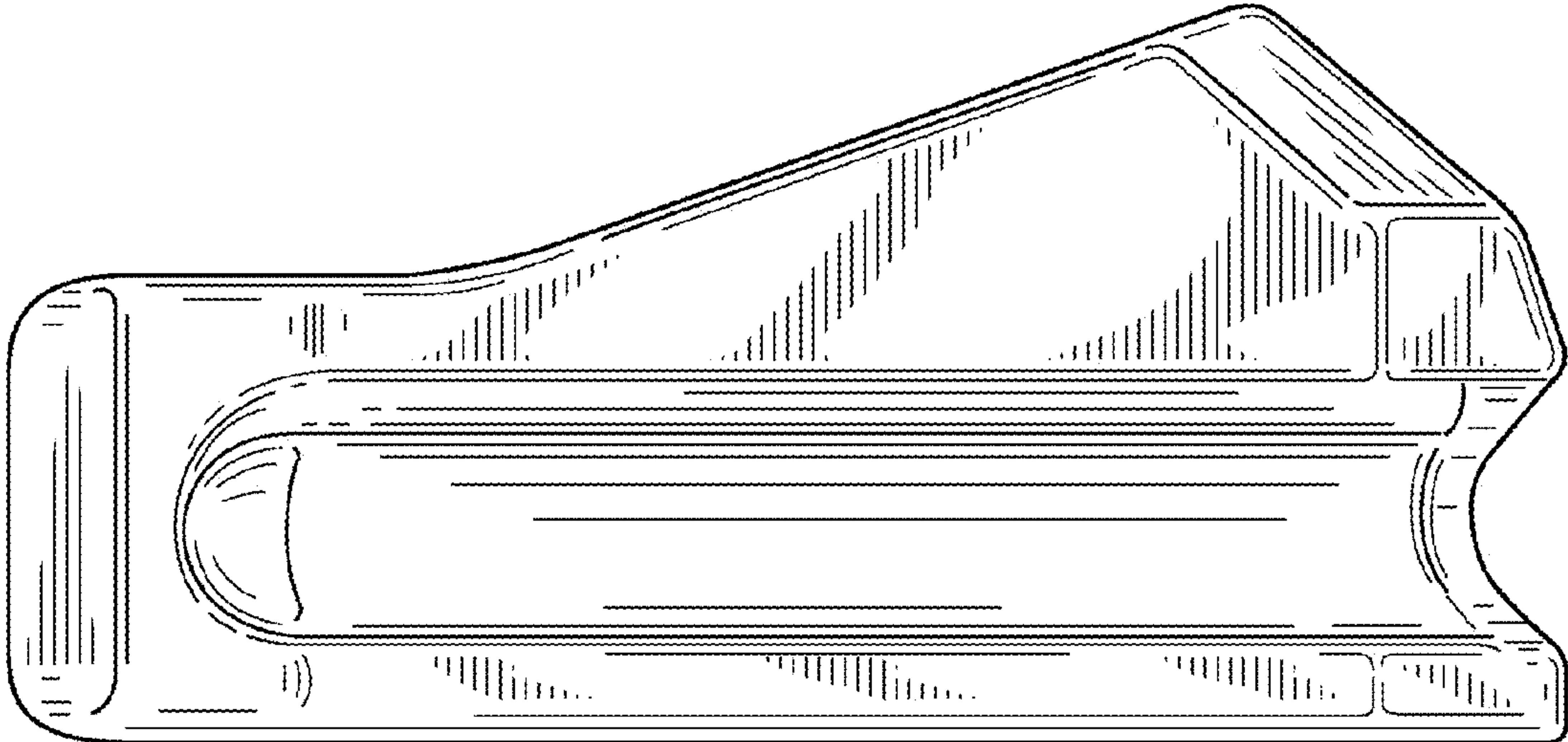


FIG. 2

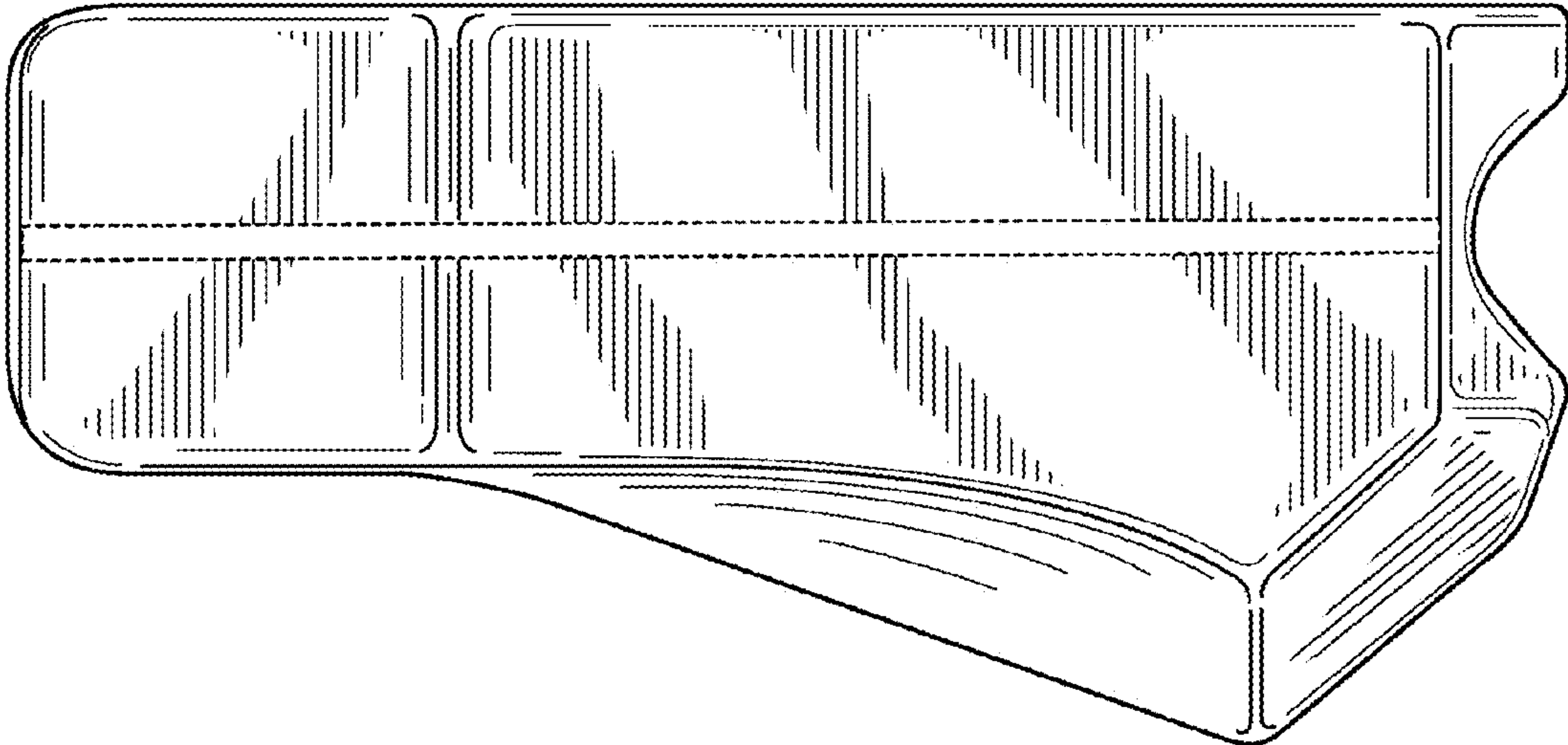


FIG. 7

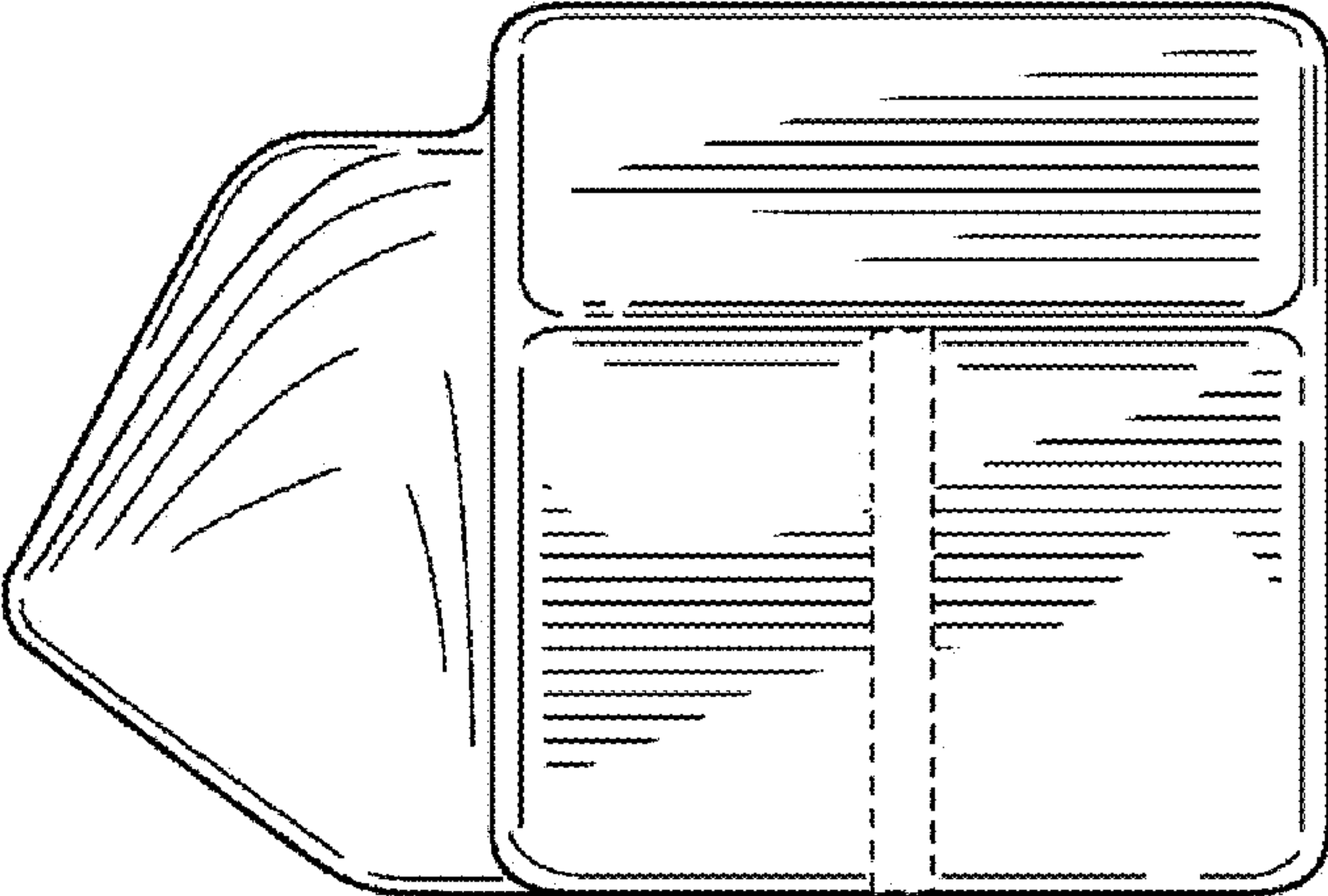


FIG. 4

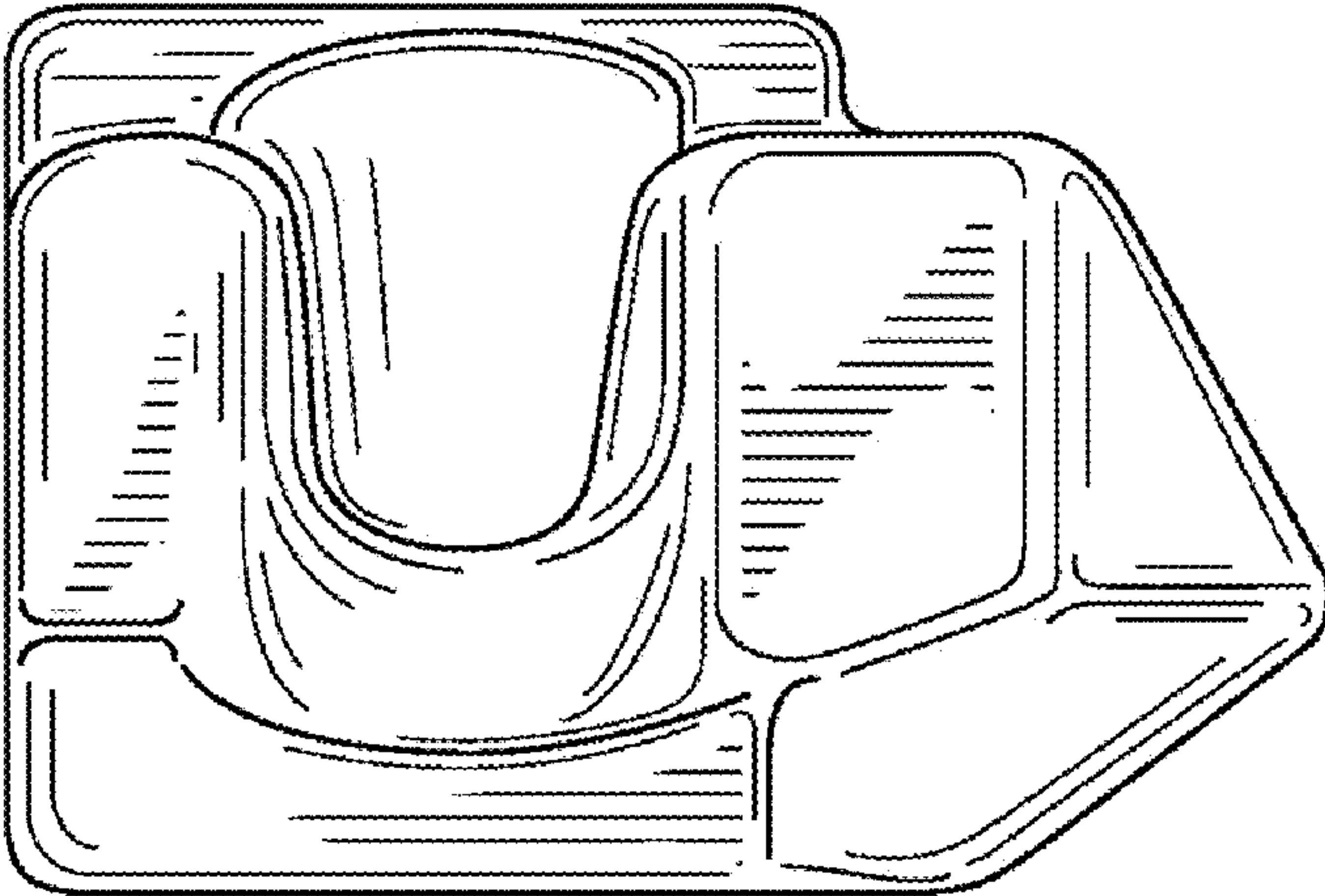


FIG. 5

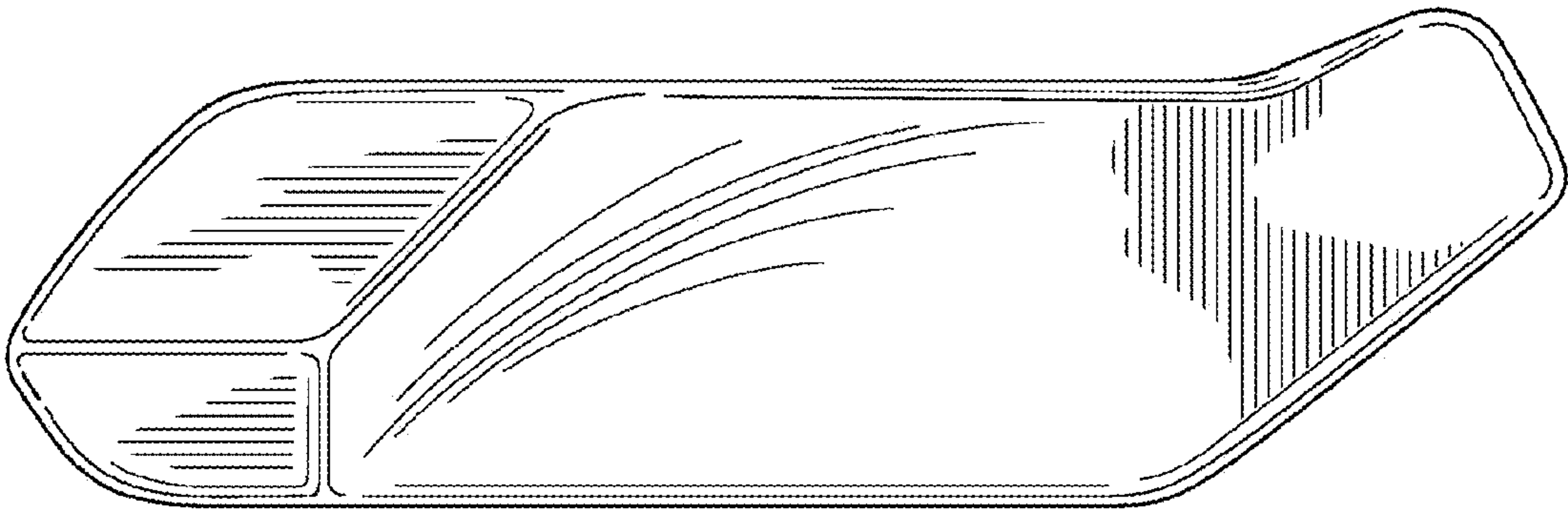


FIG. 6

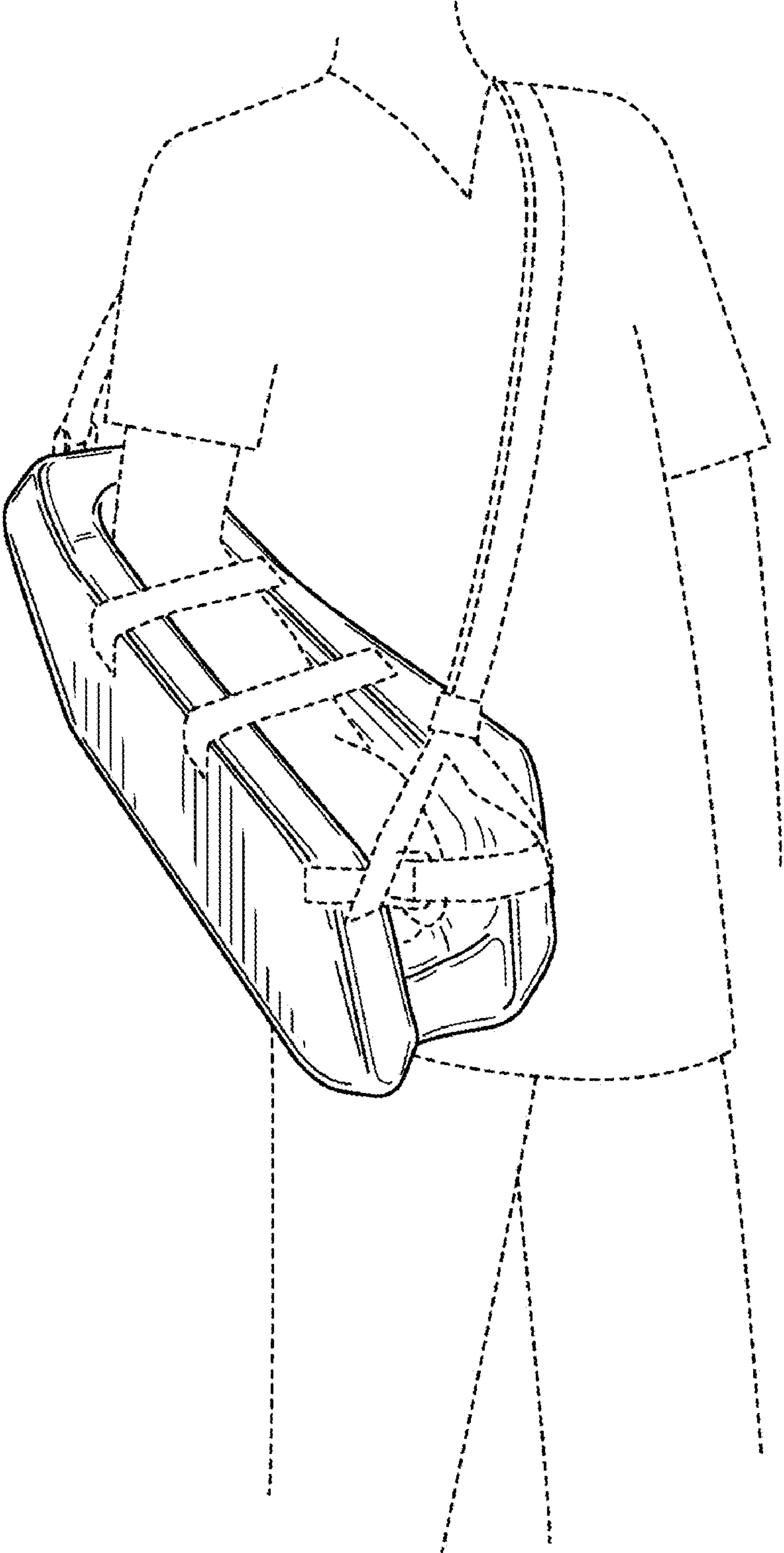


FIG. 8