



US00D642279S

(12) **United States Design Patent**  
**Barker et al.**

(10) **Patent No.:** **US D642,279 S**

(45) **Date of Patent:** **\*\* Jul. 26, 2011**

(54) **PATIENT MONITOR MODULE RACK**

(75) Inventors: **Nicholas Barker**, Laguna Beach, CA (US); **James Wilson**, Norwood, MA (US); **Allan Cameron**, Natick, MA (US); **Peter Schon**, New York City, NY (US)

(73) Assignee: **Mindray DS USA, Inc.**, Mahwah, NJ (US)

(\*\*) Term: **14 Years**

(21) Appl. No.: **29/383,804**

(22) Filed: **Jan. 21, 2011**

(51) **LOC (9) Cl.** ..... **24-01**

(52) **U.S. Cl.** ..... **D24/186**

(58) **Field of Classification Search** ..... D24/107, D24/158, 160, 185-186, 231, 232, 111, 169, D24/217, 200, 128, 165, 227; 128/915-916, 128/922, 660.01, 660.02, 660.03, 660.07, 128/653; 600/437-457; 248/918; D14/434, D14/447, 217; D13/123, 107-108; D10/52; D23/355

See application file for complete search history.

(56) **References Cited**

**U.S. PATENT DOCUMENTS**

D452,564 S *	12/2001	Micinski et al.	.....	D24/169
D511,008 S *	10/2005	Ryan	.....	D24/200
D511,822 S *	11/2005	Cole et al.	.....	D23/355
D516,026 S *	2/2006	Barrett et al.	.....	D24/186
D546,965 S *	7/2007	Arce et al.	.....	D24/217
D547,863 S *	7/2007	Heinsch	.....	D24/128
D554,759 S *	11/2007	Barker	.....	D24/186
D569,981 S *	5/2008	Collins	.....	D24/186
D577,118 S *	9/2008	Yodfat et al.	.....	D24/111
D599,480 S *	9/2009	Weichert	.....	D24/158
D600,813 S *	9/2009	Bell et al.	.....	D24/169
D601,258 S *	9/2009	Bell et al.	.....	D24/169

D601,259 S *	9/2009	Guthrie et al.	.....	D24/169
D604,418 S *	11/2009	Jones et al.	.....	D24/165
D611,152 S *	3/2010	Updyke et al.	.....	D24/169
D617,911 S *	6/2010	Freeman et al.	.....	D24/227
D625,014 S *	10/2010	Hansen et al.	.....	D24/186
D625,015 S *	10/2010	Hansen et al.	.....	D24/186

\* cited by examiner

*Primary Examiner* — T. Chase Nelson

*Assistant Examiner* — Mark Cavanna

(74) *Attorney, Agent, or Firm* — Kory D. Christensen; Stoel Rives LLP

(57) **CLAIM**

The ornamental design for a patient monitor module rack, as shown and described.

**DESCRIPTION**

© 2010 Mindray DS USA, Inc. A portion of the disclosure of this patent document contains material to which a claim for copyright is made. The copyright owner has no objection to the facsimile reproduction by anyone of the patent document or the patent disclosure, as it appears in the file or records of the U.S. Patent and Trademark Office, but reserves all other copyright rights whatsoever.

FIG. 1 is a front perspective view of a patient monitor module rack, showing our new design;

FIG. 2 is a front elevation view thereof;

FIG. 3 is a left side elevation view thereof;

FIG. 4 is a right side elevation view thereof;

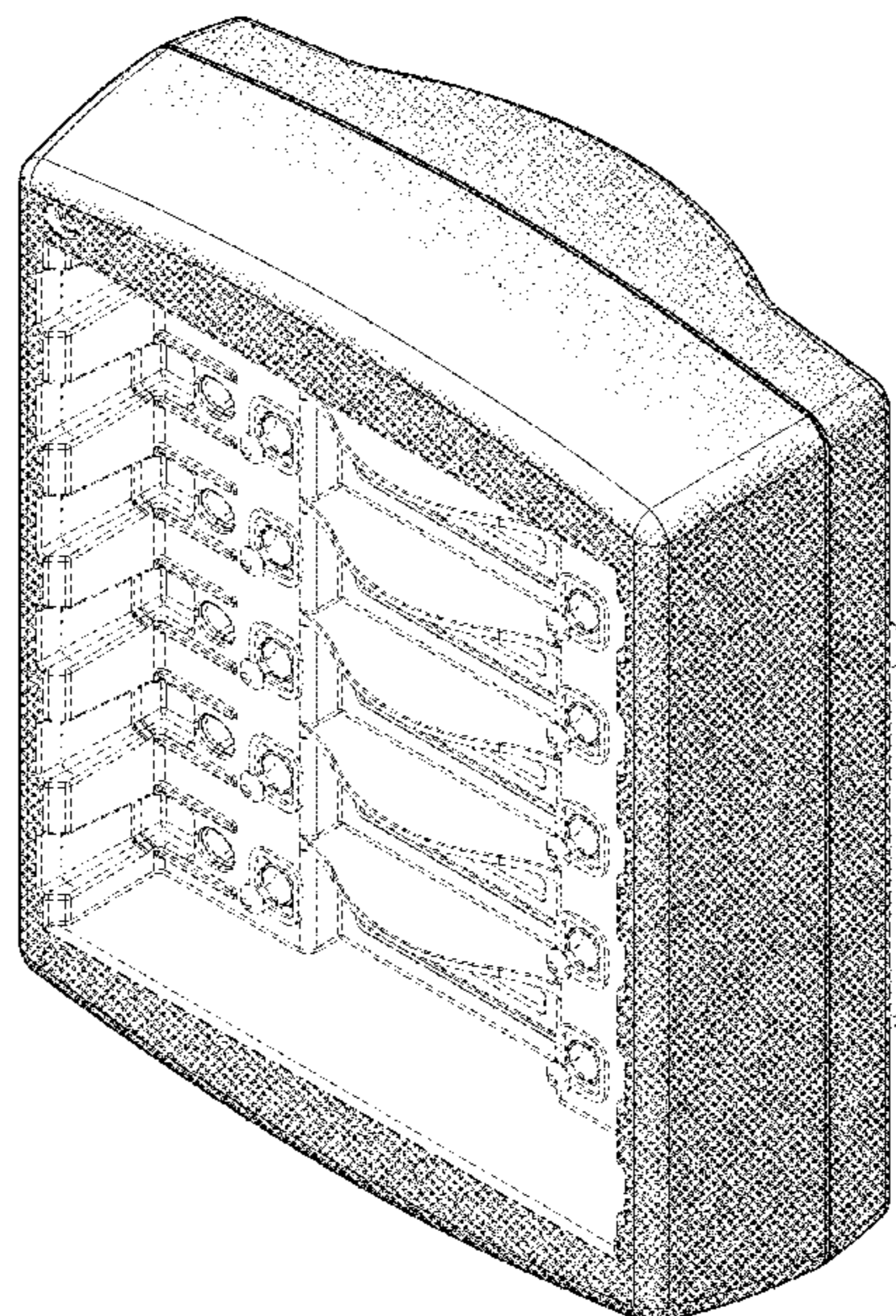
FIG. 5 is a rear elevation view thereof;

FIG. 6 is a top plan view thereof; and,

FIG. 7 is a bottom plan view thereof.

The broken lines immediately adjacent the shaded areas represent the bounds of the claimed design, while all other broken lines are directed to environment; the broken lines form no part of the claimed design.

**1 Claim, 7 Drawing Sheets**



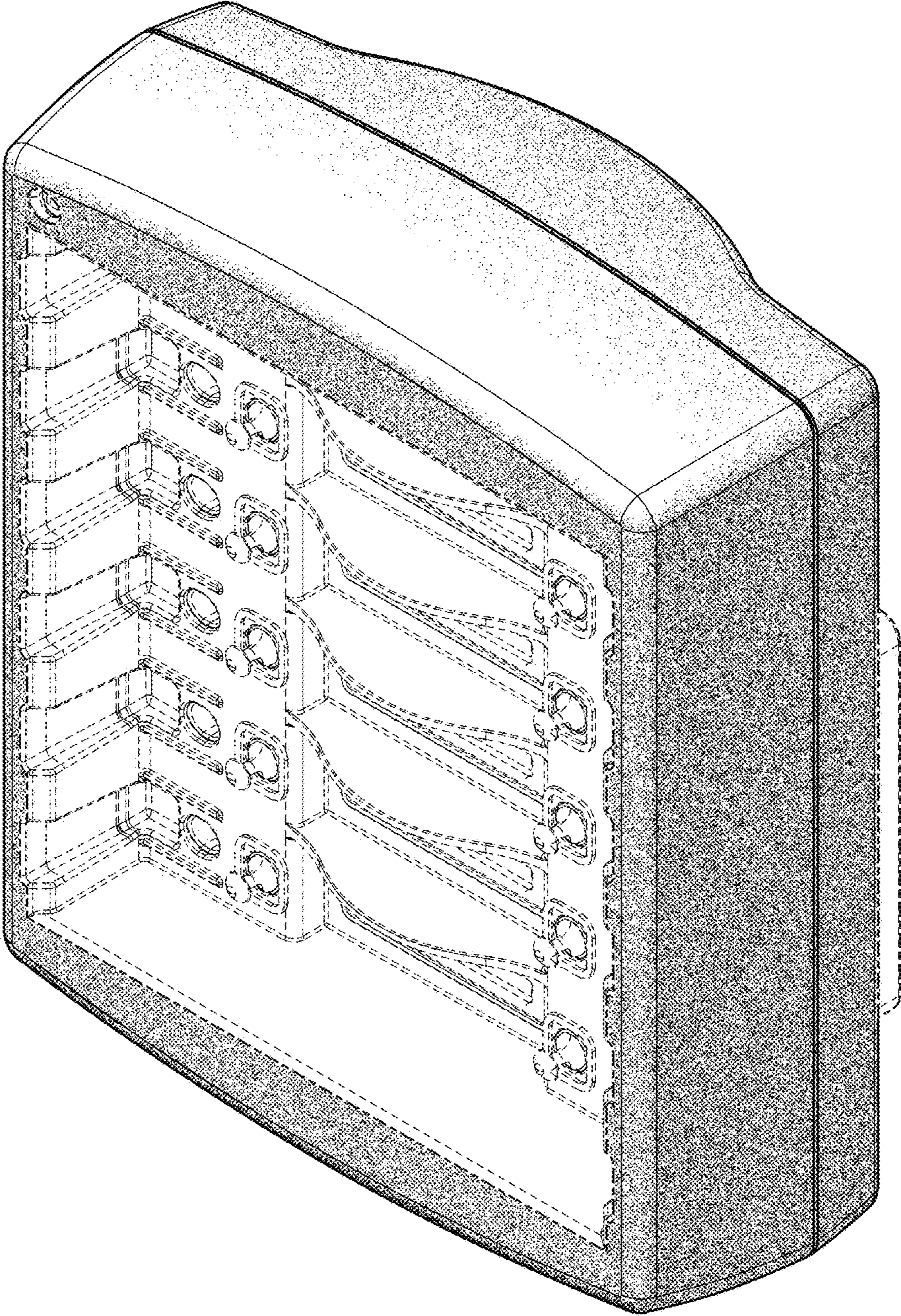


FIG. 1

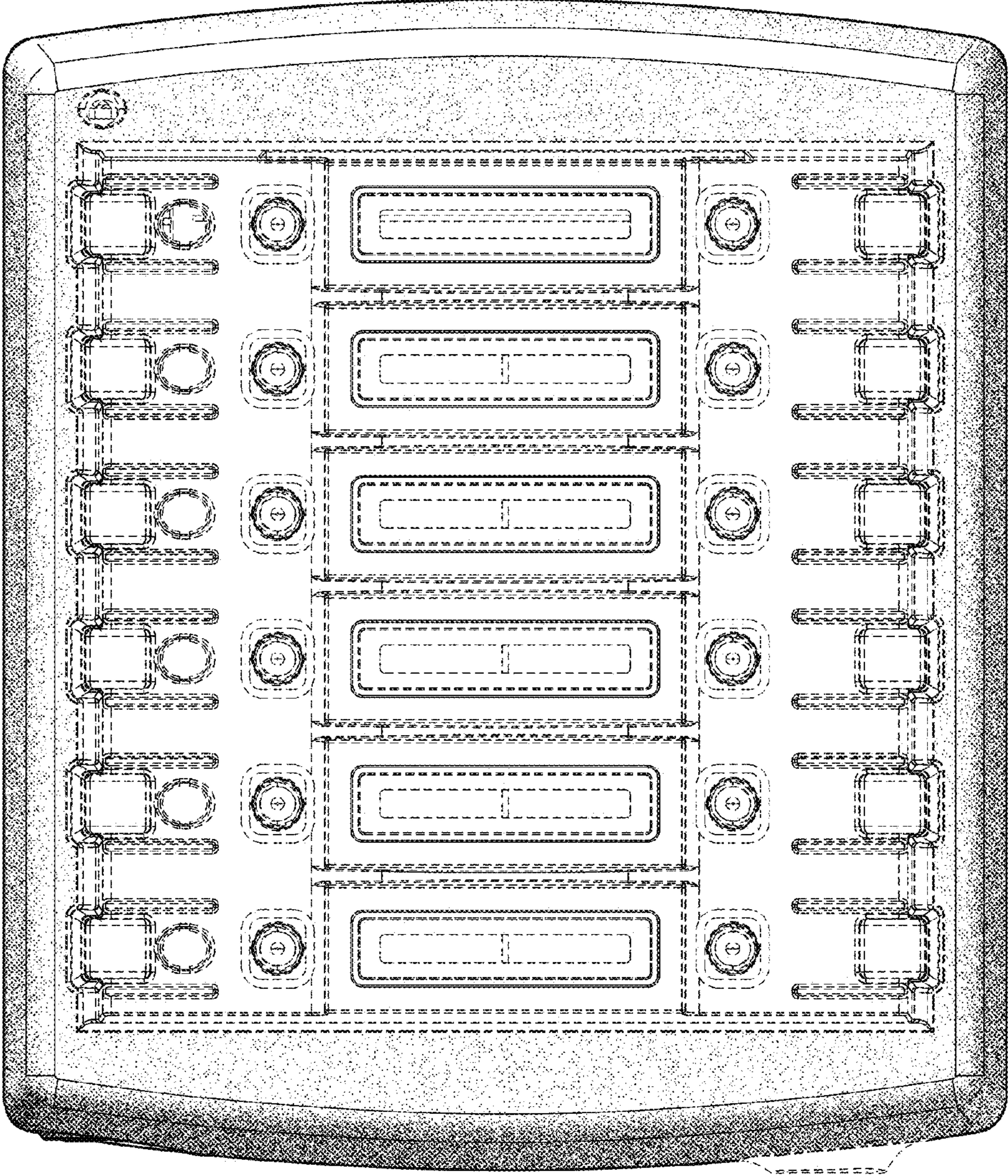


FIG. 2

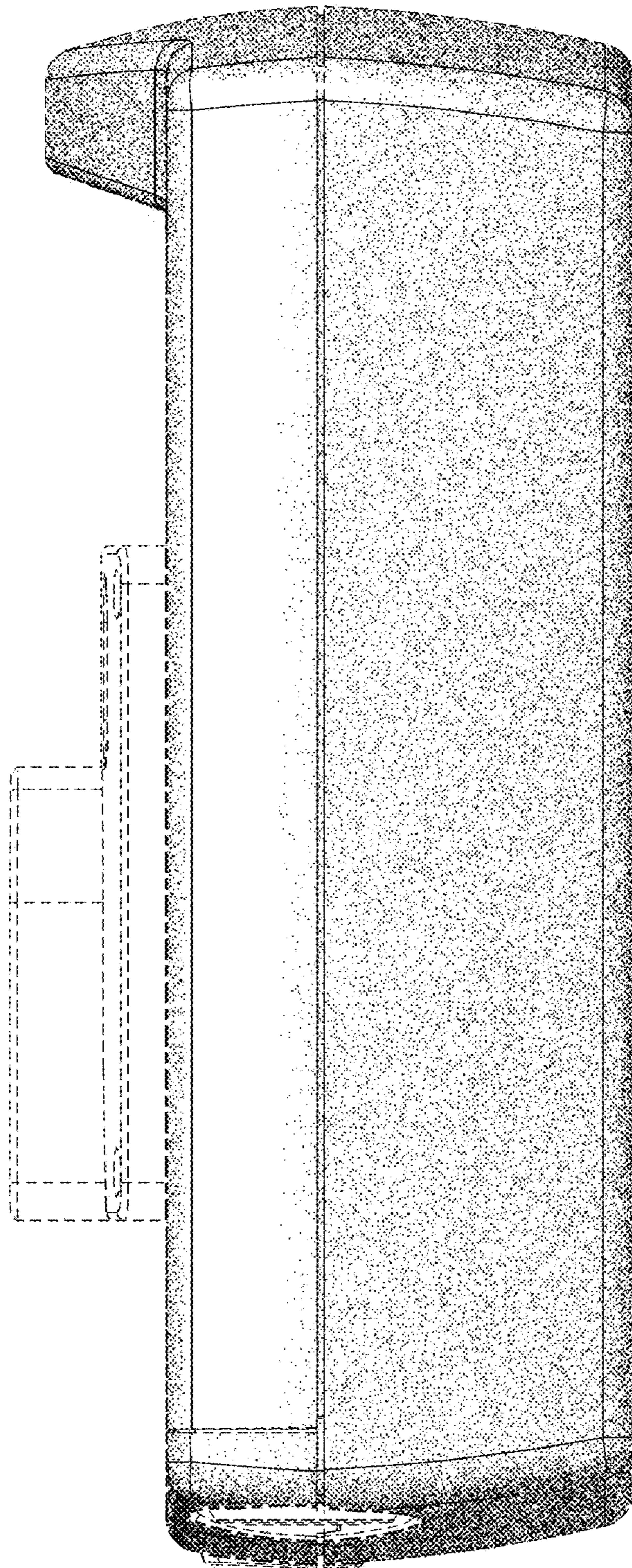


FIG. 3

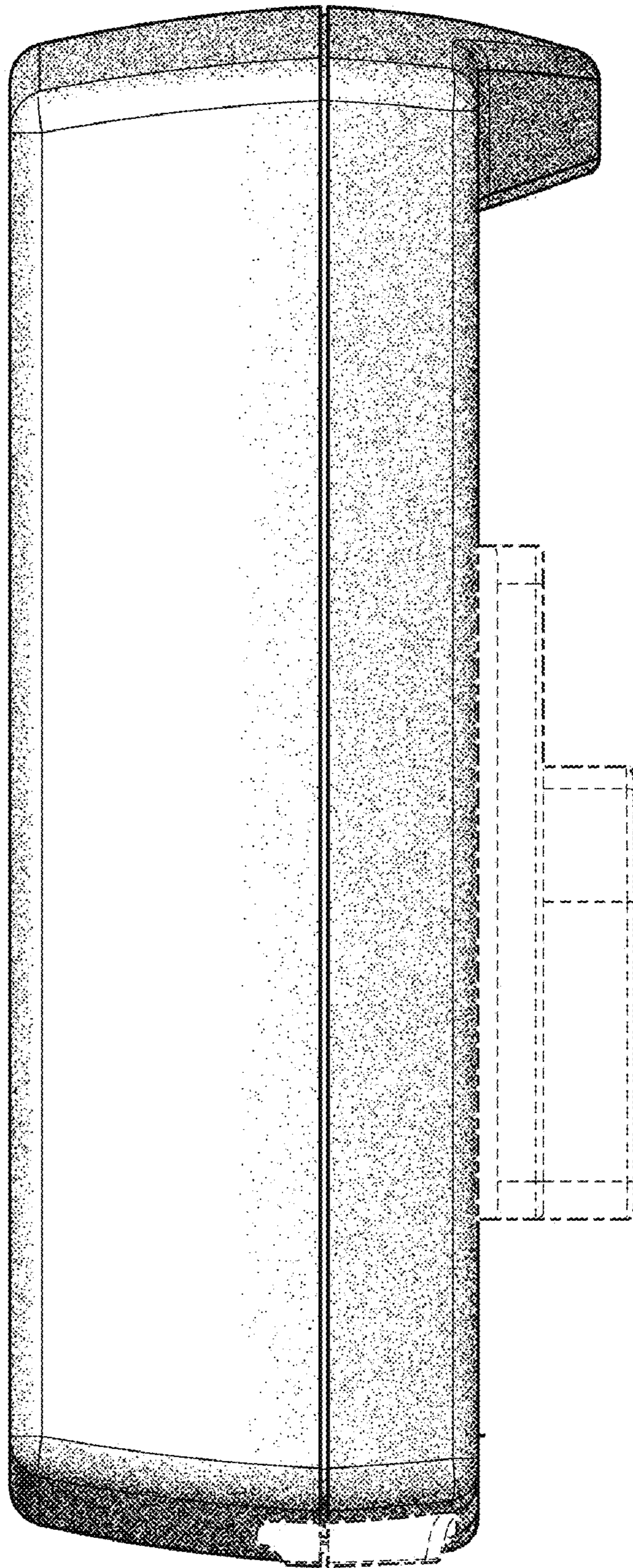


FIG. 4

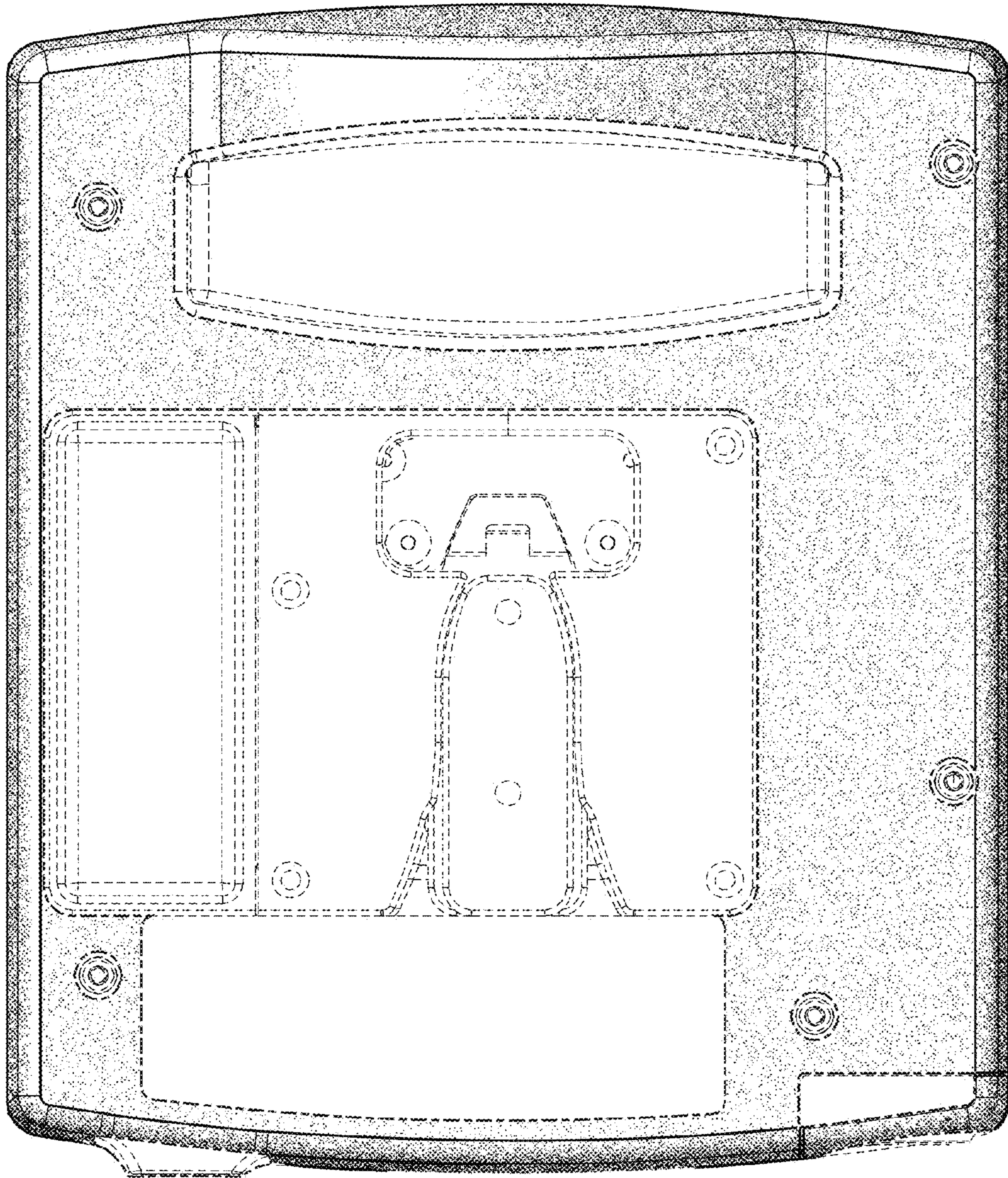


FIG. 5

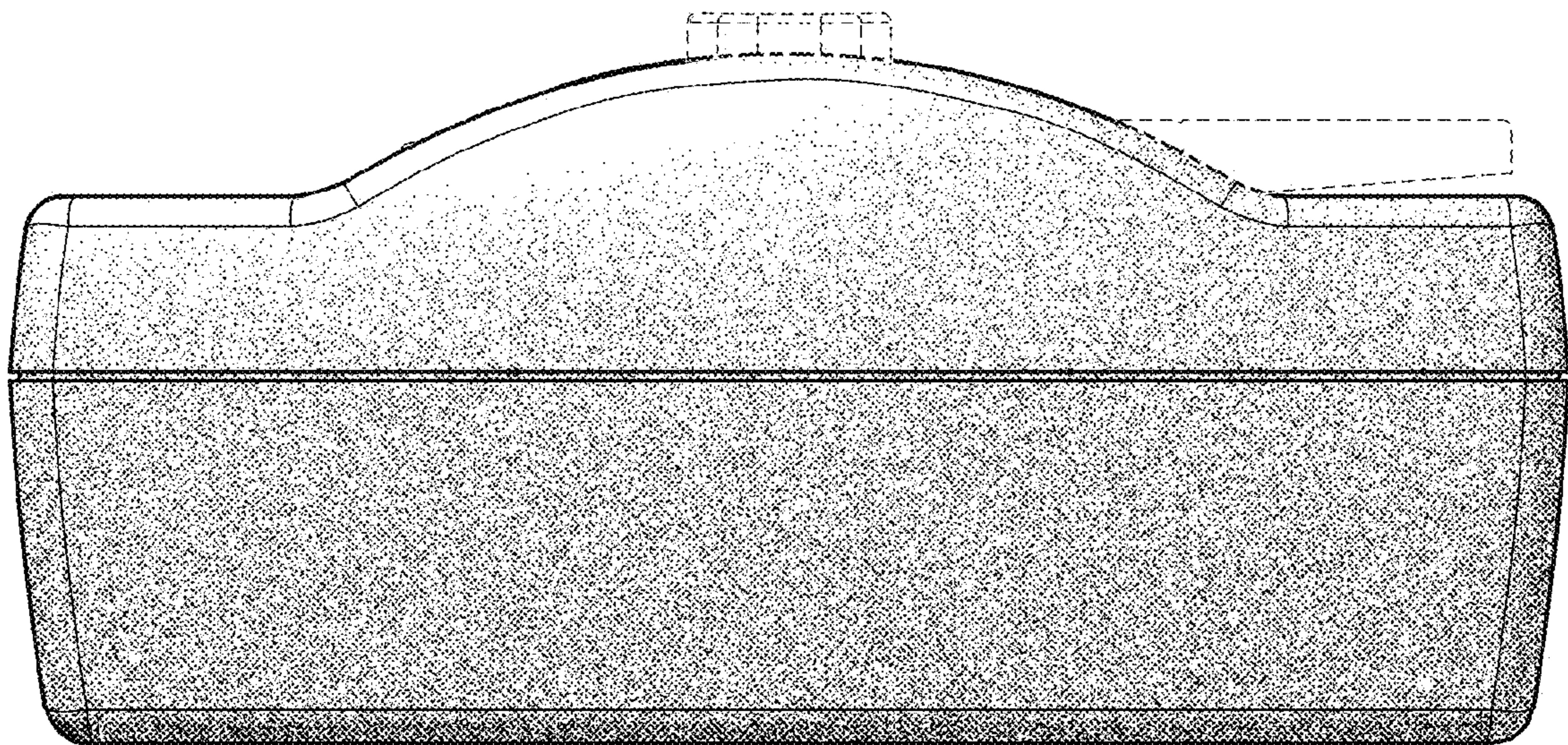
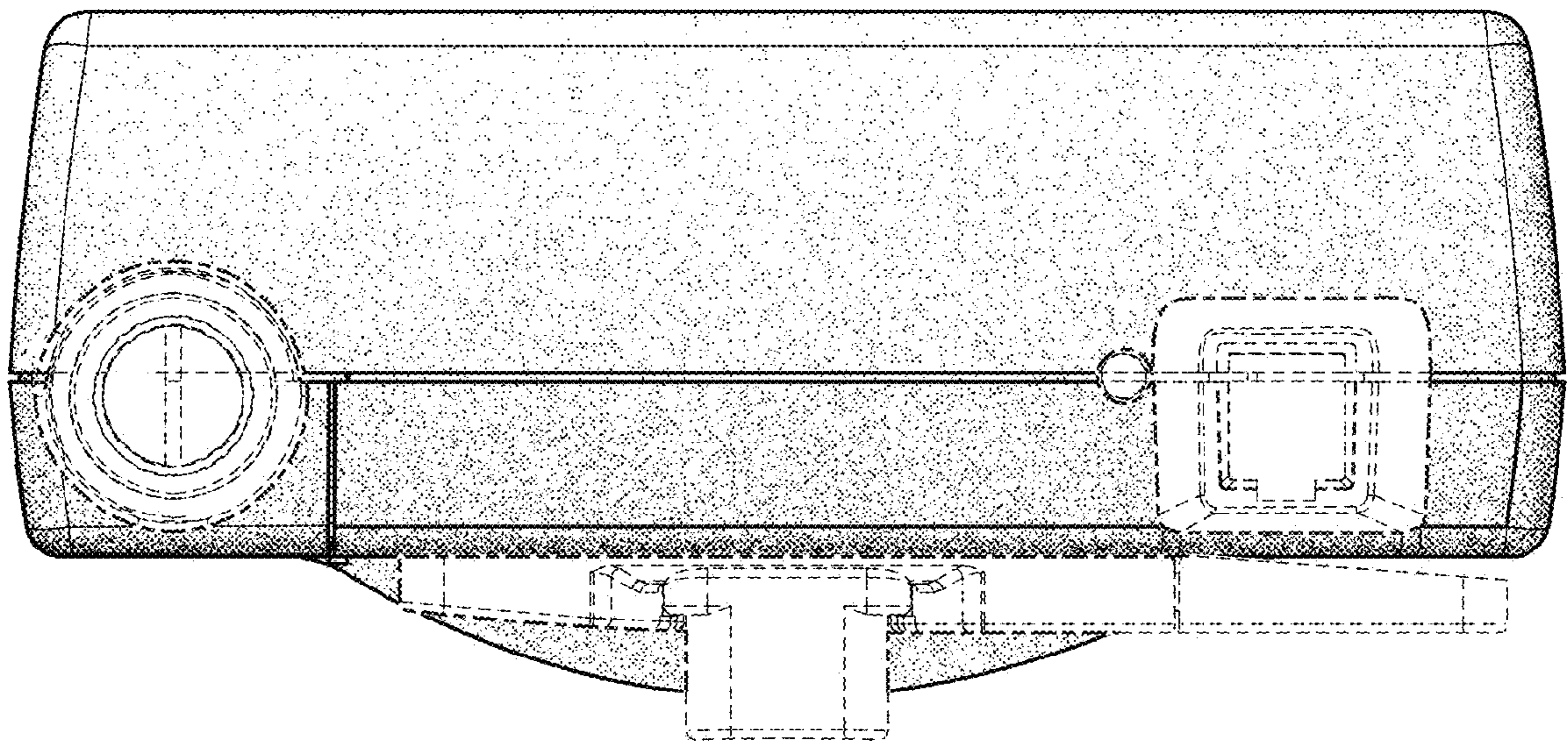


FIG. 6



**FIG. 7**