



US00D642278S

(12) **United States Design Patent**  
**Sharps et al.**

(10) **Patent No.:** **US D642,278 S**

(45) **Date of Patent:** **\*\* Jul. 26, 2011**

(54) **OCCIPITAL-HEAD SUPPORT**

(75) Inventors: **Lewis Sharps**, Bryn Mawr, PA (US);  
**James Richard Bemman**, Holly, MI (US)

(73) Assignee: **Patient Safety Transport Systems, LLC**, Berwyn, PA (US)

(\*\*) Term: **14 Years**

(21) Appl. No.: **29/358,741**

(22) Filed: **Mar. 31, 2010**

(51) **LOC (9) Cl.** ..... **24-01**

(52) **U.S. Cl.** ..... **D24/184; D6/601**

(58) **Field of Classification Search** ..... D24/183-184;  
D6/502, 595, 596, 601; 128/845, 869; 5/636-640,  
5/644

See application file for complete search history.

(56) **References Cited**

**U.S. PATENT DOCUMENTS**

3,694,831	A *	10/1972	Treace	.....	5/638
D258,557	S *	3/1981	Herr	.....	D6/601
D271,834	S *	12/1983	Huntsinger	.....	D6/601
4,752,064	A *	6/1988	Voss	.....	5/636
D298,992	S *	12/1988	Voss	.....	D24/184
D337,914	S *	8/1993	McDonald	.....	D6/601
5,269,035	A *	12/1993	Hartunian	.....	5/637

5,613,501	A *	3/1997	Michelson	.....	5/639
D414,974	S *	10/1999	Marrone et al.	.....	D6/601
5,960,494	A *	10/1999	Gilliland et al.	.....	5/638
6,151,734	A *	11/2000	Lawrie	.....	5/638
D456,516	S *	4/2002	Cheshaek et al.	.....	D24/183
6,427,272	B1 *	8/2002	Yacoub	.....	5/638
6,842,924	B1 *	1/2005	Walters	.....	D6/601
D522,300	S *	6/2006	Roberts	.....	D6/601
D552,244	S *	10/2007	Tinsley	.....	D24/183
7,516,504	B2 *	4/2009	Guez	.....	5/636
D601,261	S *	9/2009	Levan	.....	D24/184

\* cited by examiner

*Primary Examiner* — T. Chase Nelson

*Assistant Examiner* — Mark Cavanna

(74) *Attorney, Agent, or Firm* — Lee & Hayes, PLLC

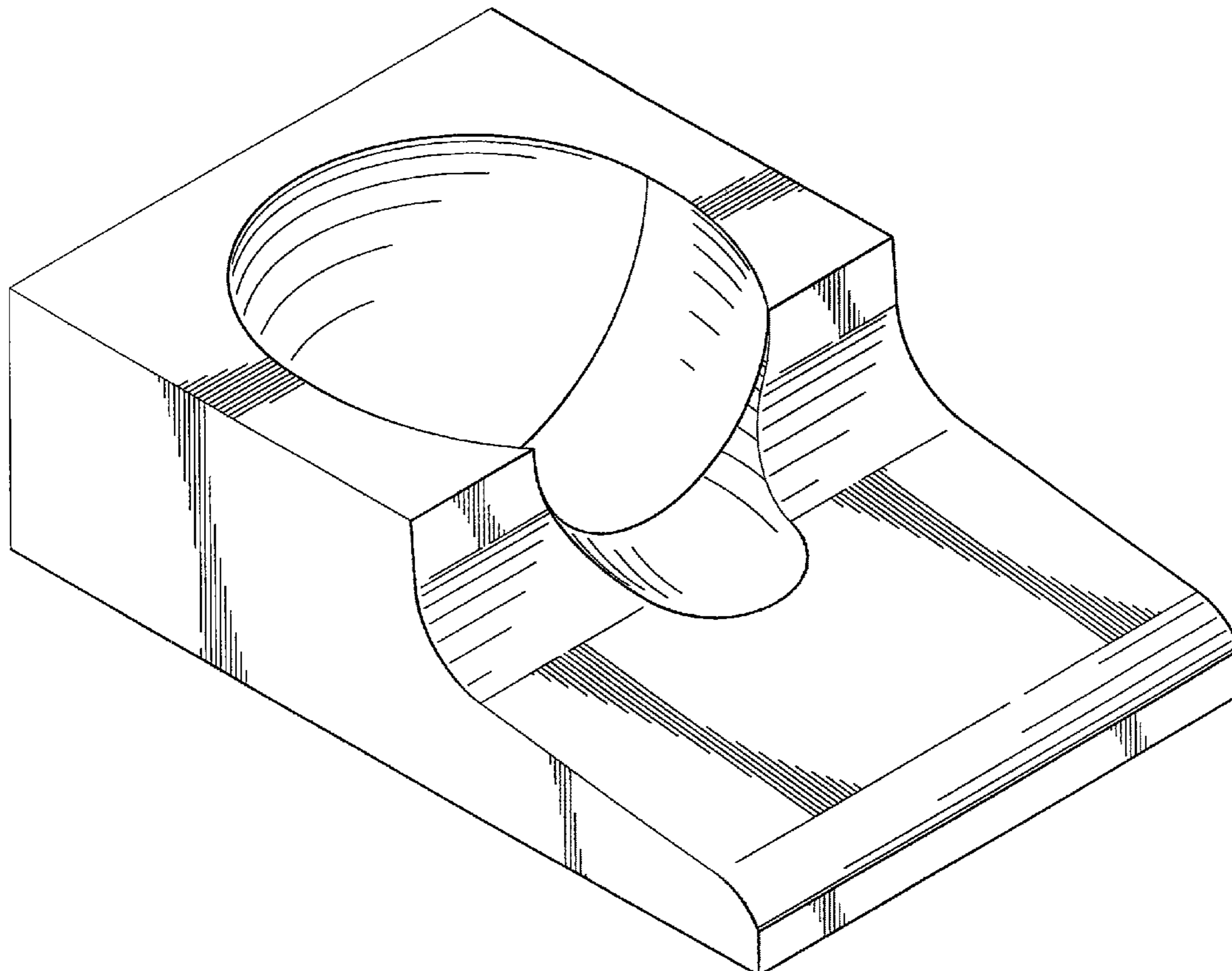
(57) **CLAIM**

The ornamental design for an occipital-head support, as shown and described.

**DESCRIPTION**

FIG. 1 is a top-isometric view of an occipital-head support. FIG. 2 is a front view thereof; FIG. 3 is a right-side view thereof (the left-side view, not shown, is a mirror image of FIG. 3); FIG. 4 is a rear view thereof; FIG. 5 is a top view thereof; and, FIG. 6 is a bottom view thereof.

**1 Claim, 5 Drawing Sheets**



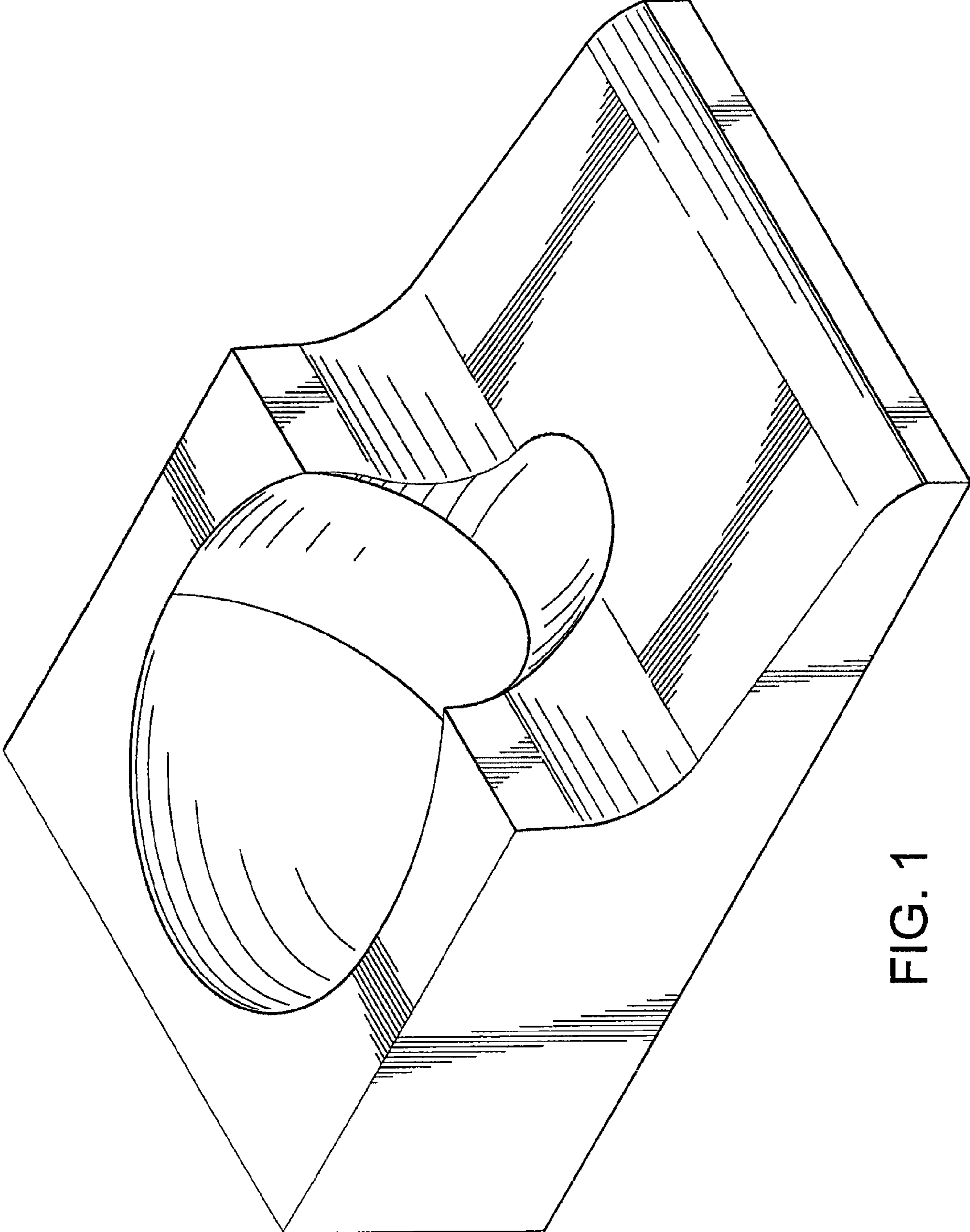


FIG. 1

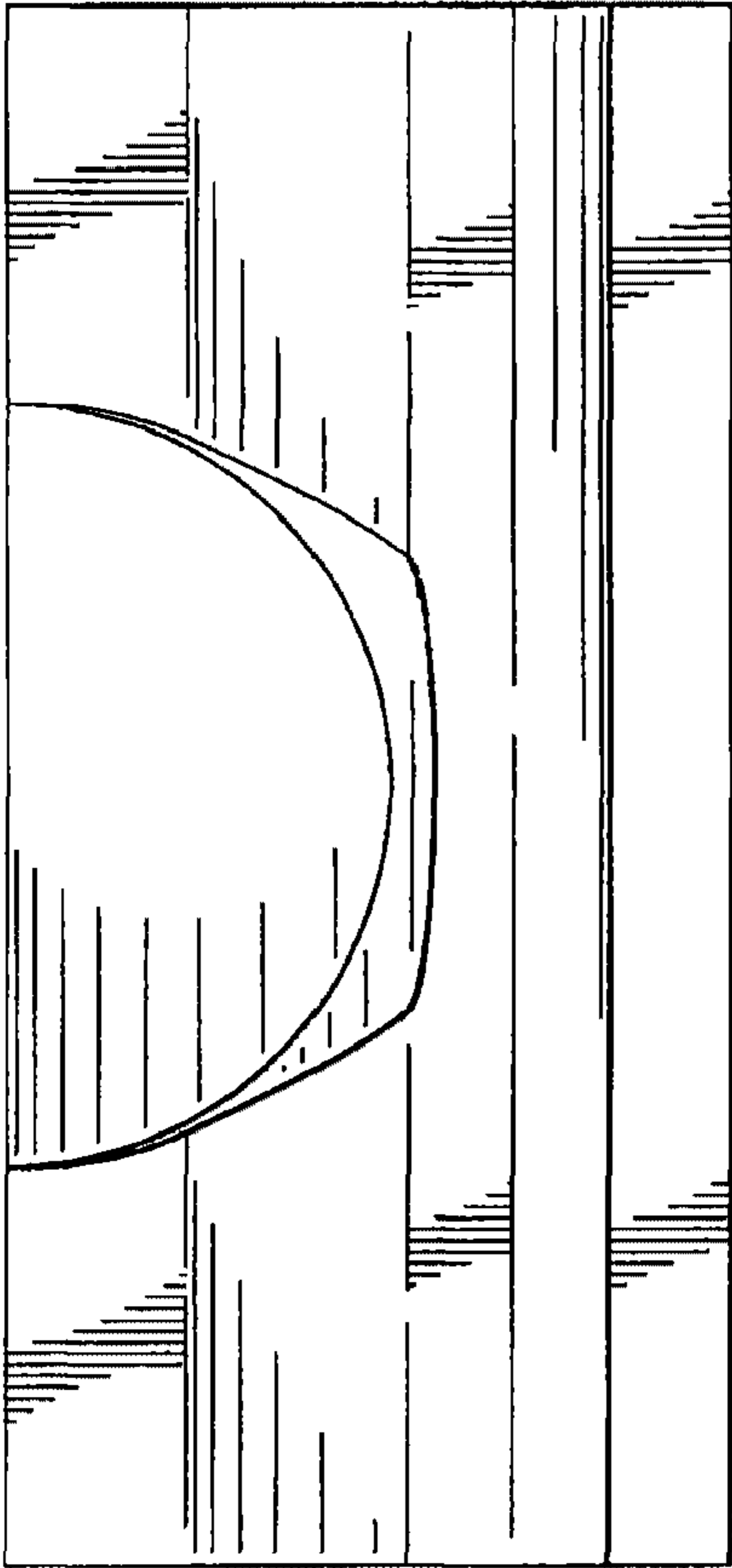


FIG. 2

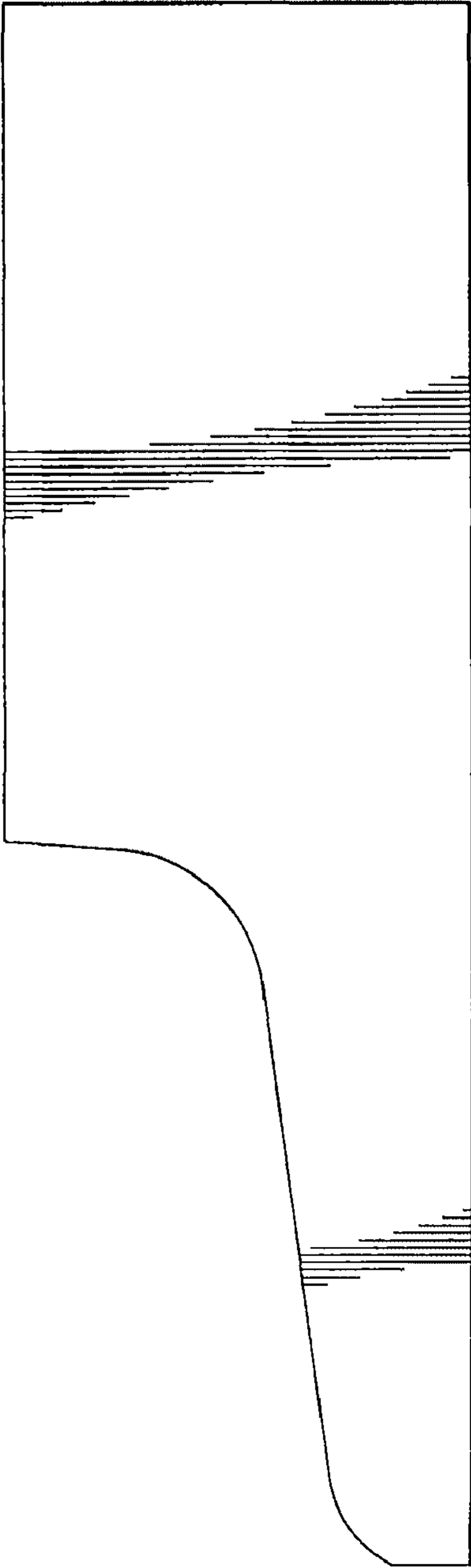


FIG. 3

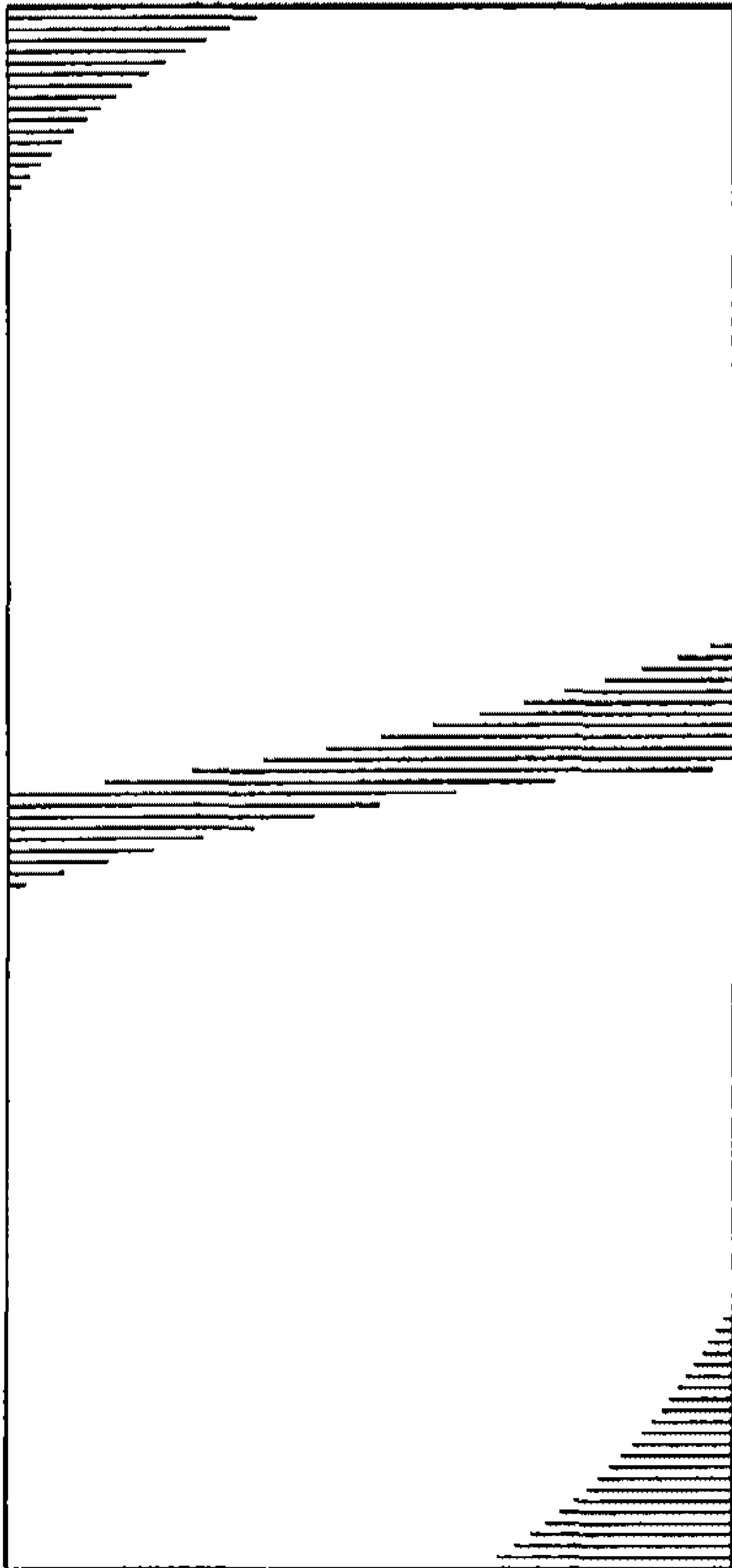


FIG. 4

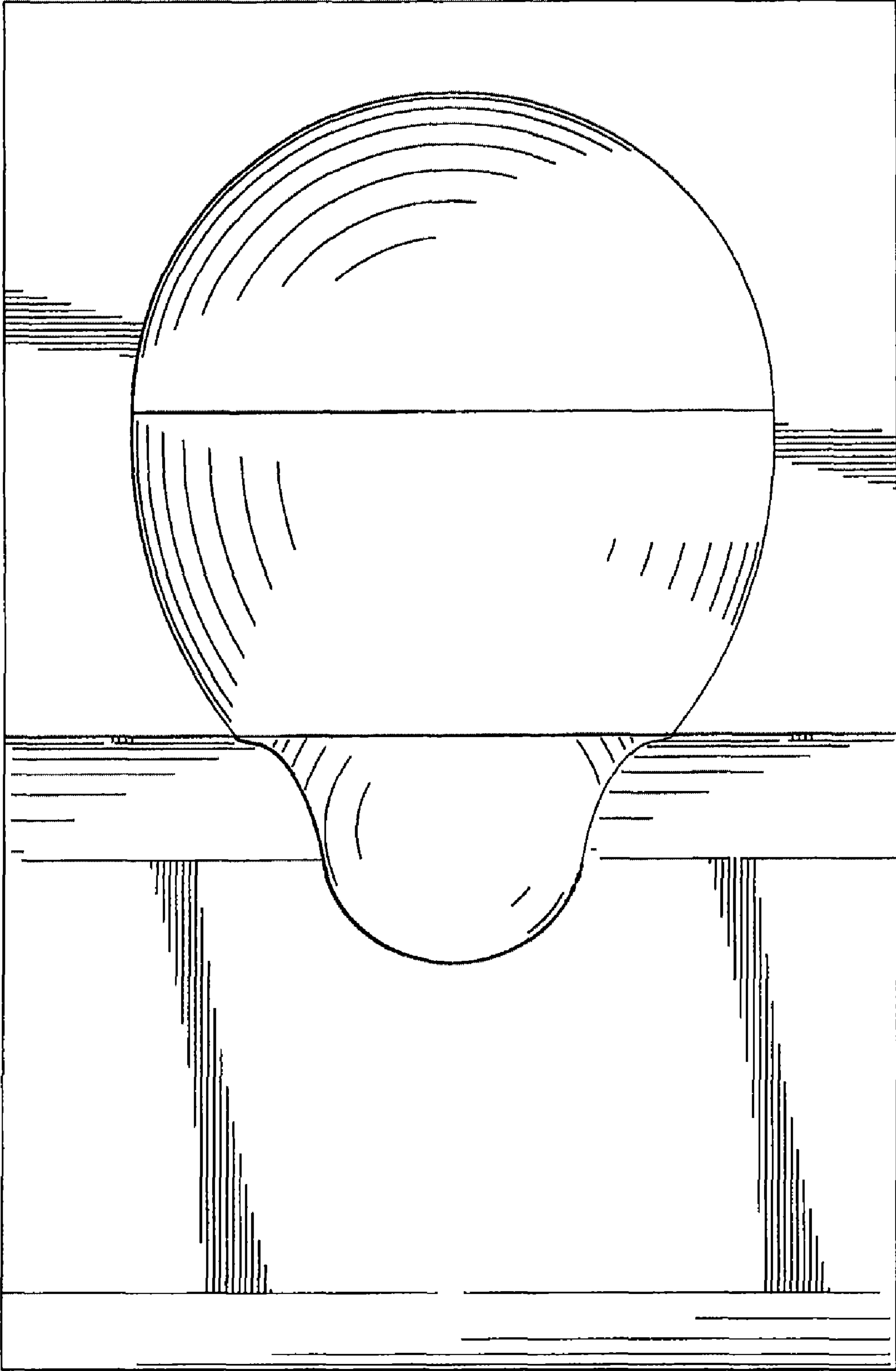


FIG. 5

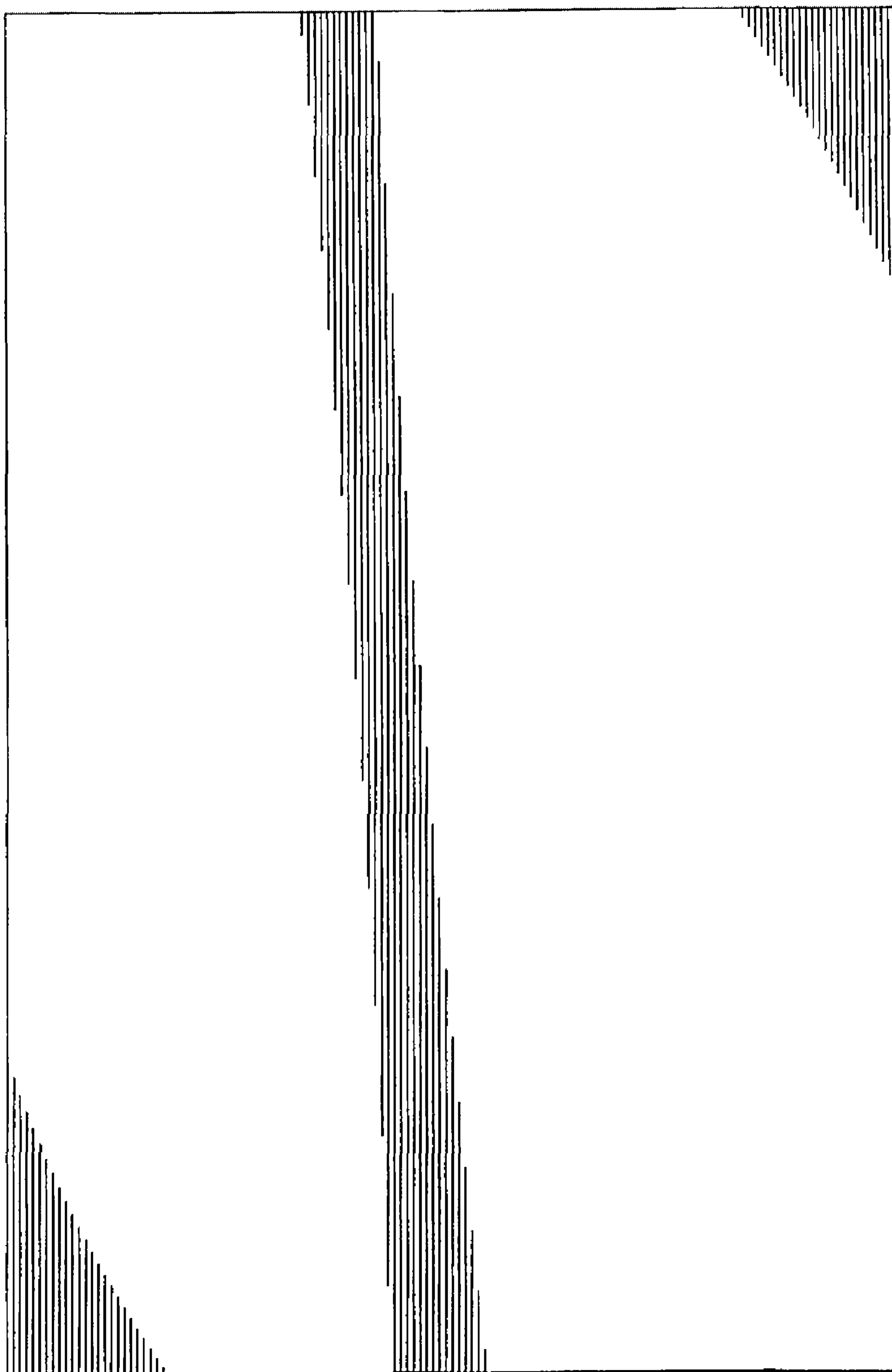


FIG. 6