



US00D642276S

(12) **United States Design Patent**
Dubs

(10) **Patent No.:** **US D642,276 S**

(45) **Date of Patent:** **** Jul. 26, 2011**

(54) **HEARING AID**

(75) Inventor: **Basil Dubs**, Zurich (CH)

(73) Assignee: **Phonak AG**, Stafa (CH)

(**) Term: **14 Years**

(21) Appl. No.: **29/352,703**

(22) Filed: **Dec. 23, 2009**

(30) **Foreign Application Priority Data**

Jun. 29, 2009 (WO) DM/072 071

(51) **LOC (9) Cl.** **24-99**

(52) **U.S. Cl.** **D24/174**

(58) **Field of Classification Search** D24/173-175,
D24/106, 151; D14/205, 223, 224, 249;
381/23.1, 312, 322-324, 328-330, 334
See application file for complete search history.

(56) **References Cited**

U.S. PATENT DOCUMENTS

5,802,183	A *	9/1998	Scheller et al.	381/322
D546,455	S *	7/2007	Darbut et al.	D24/174
D572,823	S *	7/2008	Niccolai et al.	D24/174
D587,378	S *	2/2009	Powers et al.	D24/174
D606,657	S *	12/2009	Schumaier et al.	D24/174

D611,607	S *	3/2010	Mori et al.	D24/174
2006/0171550	A1 *	8/2006	Bryant et al.	381/330
2009/0042426	A1 *	2/2009	Kramer	381/312

* cited by examiner

Primary Examiner — T. Chase Nelson

Assistant Examiner — Anhdao Doan

(74) *Attorney, Agent, or Firm* — Rankin, Hill & Clark LLP

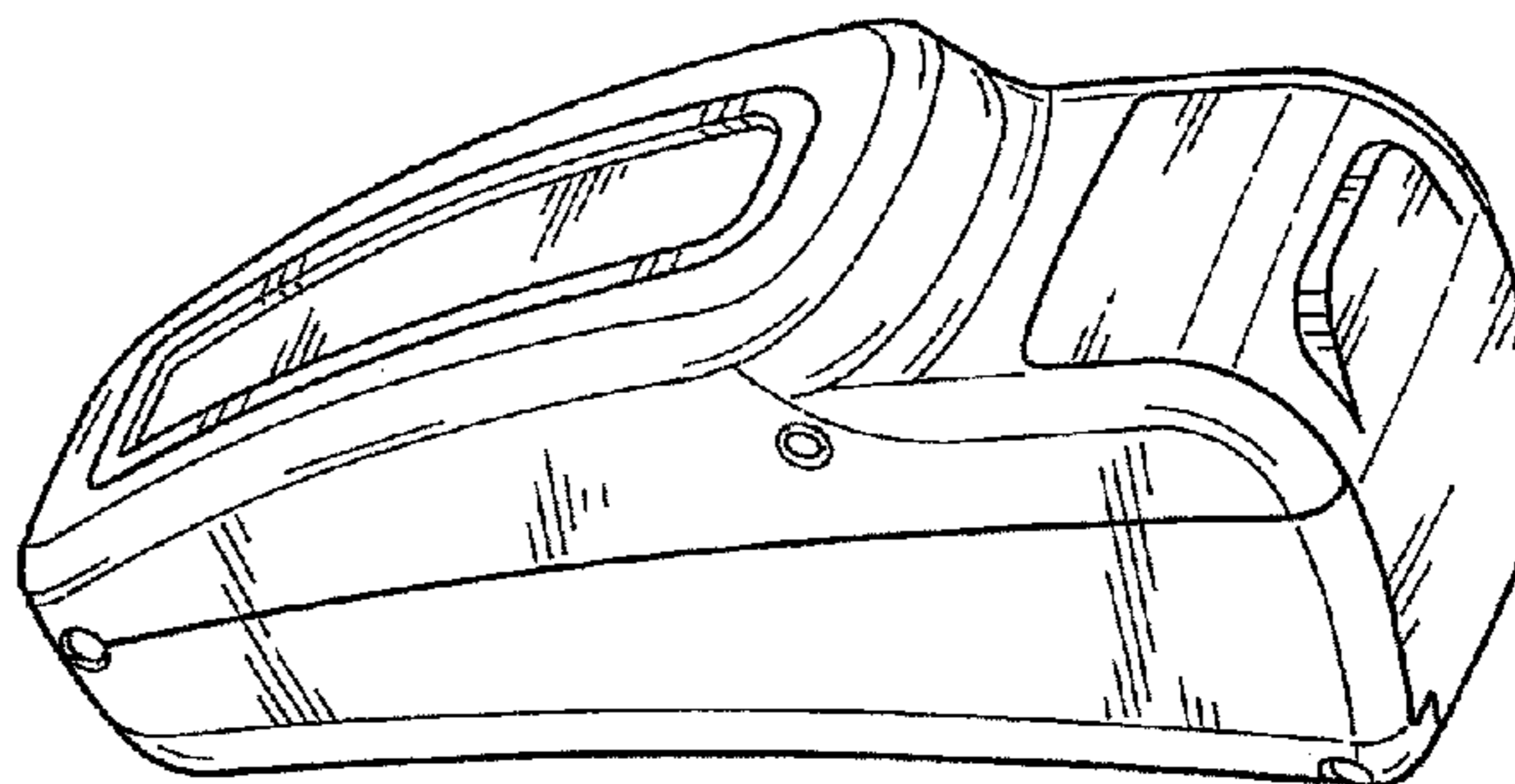
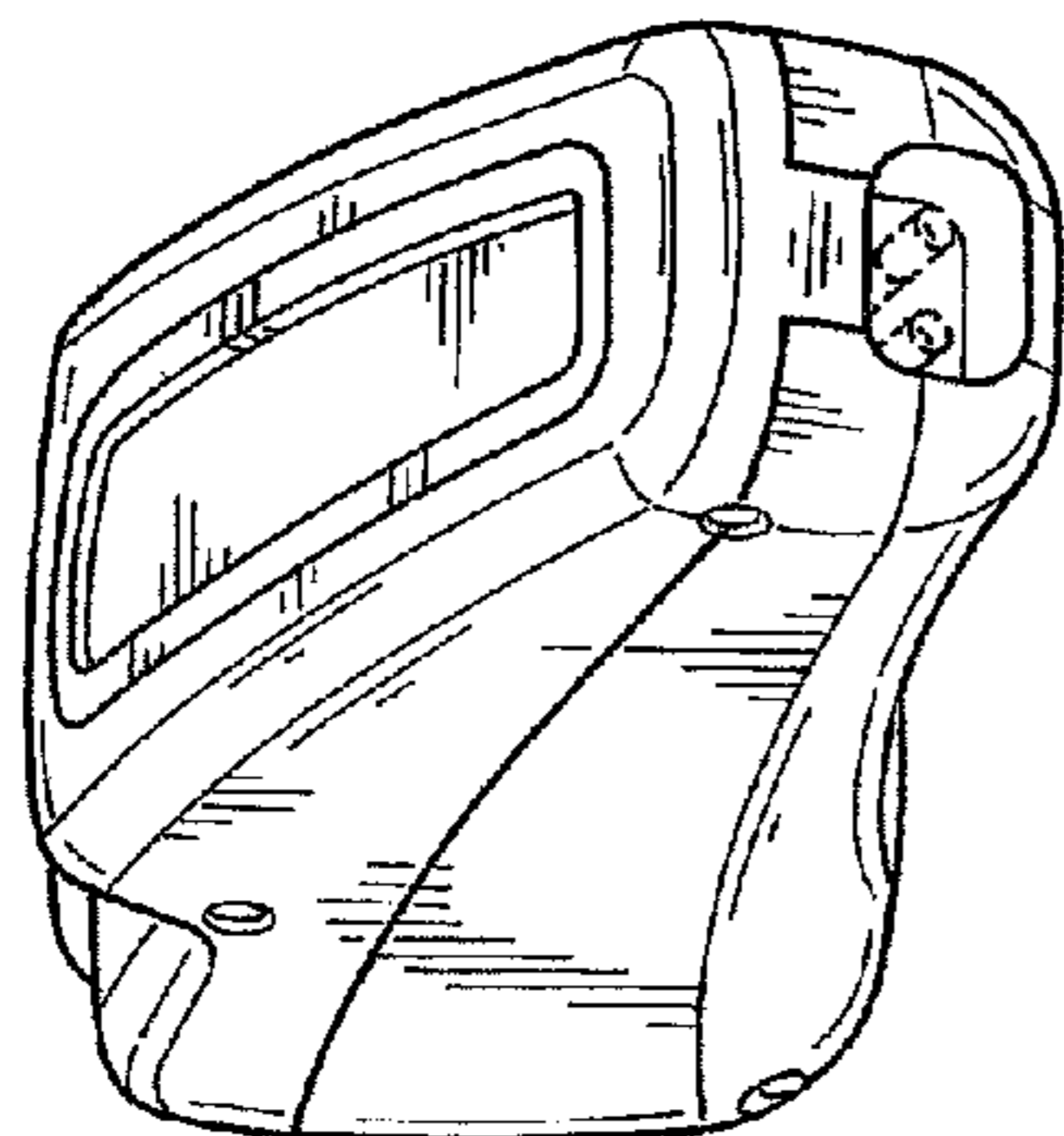
(57) **CLAIM**

I claim the ornamental design for a hearing aid, as shown and described.

DESCRIPTION

FIG. 1 is a front view of a hearing aid embodying my design; FIG. 2 is a rear view of the hearing aid shown in FIG. 1; FIG. 3 is a first perspective view of the hearing aid shown in FIG. 1; FIG. 4 is a second perspective view of the hearing aid shown in FIG. 1; FIG. 5 is a right side view of the hearing aid shown in FIG. 1; FIG. 6 is a bottom view of the hearing aid shown in FIG. 1; FIG. 7 is a top view of the hearing aid shown in FIG. 1; and, FIG. 8 is a left side view of the hearing aid shown in FIG. 1. The broken line showing of the hearing aid is for the purpose of illustrating portions of the article that form no part of the claimed design.

1 Claim, 2 Drawing Sheets



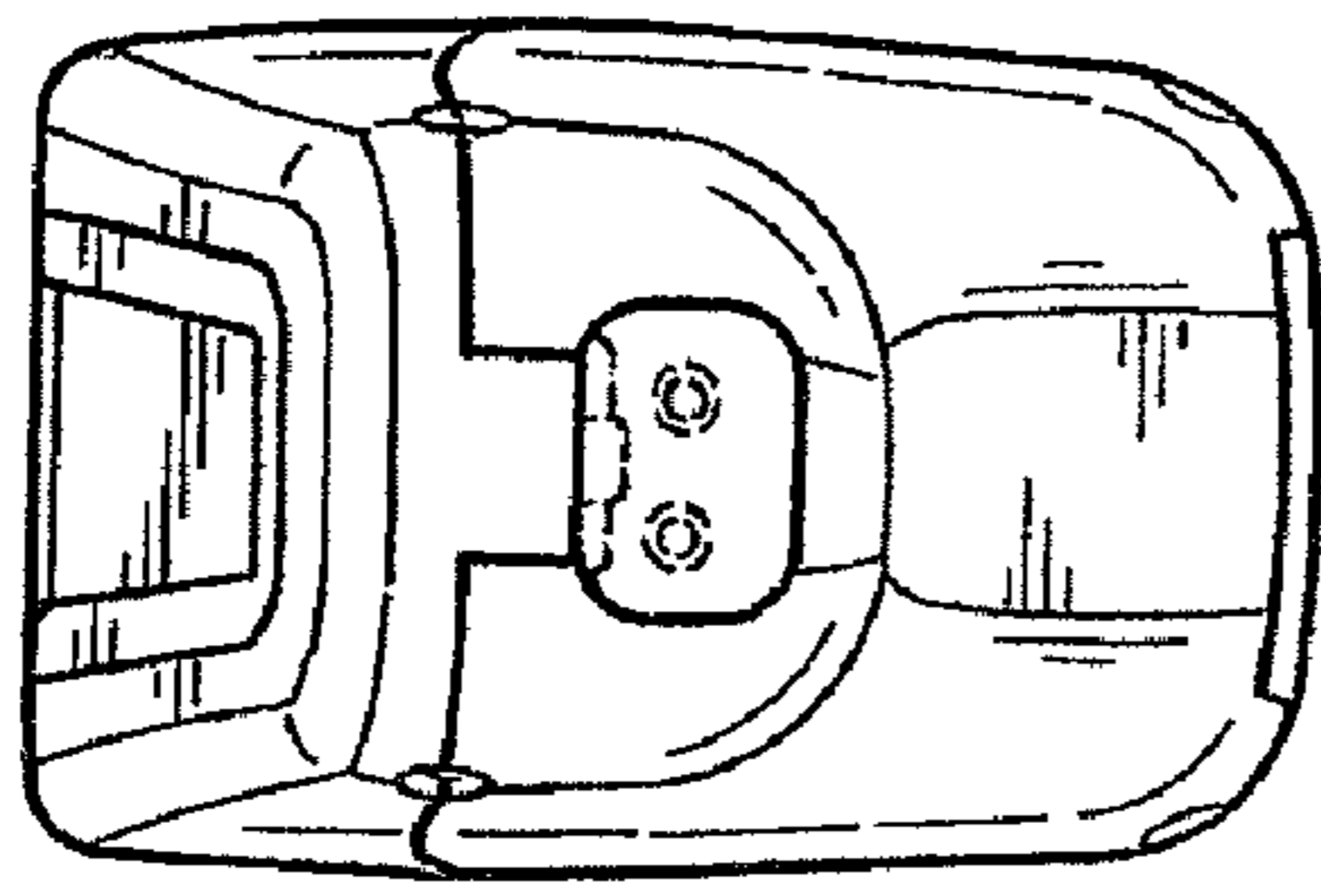


FIG. 1

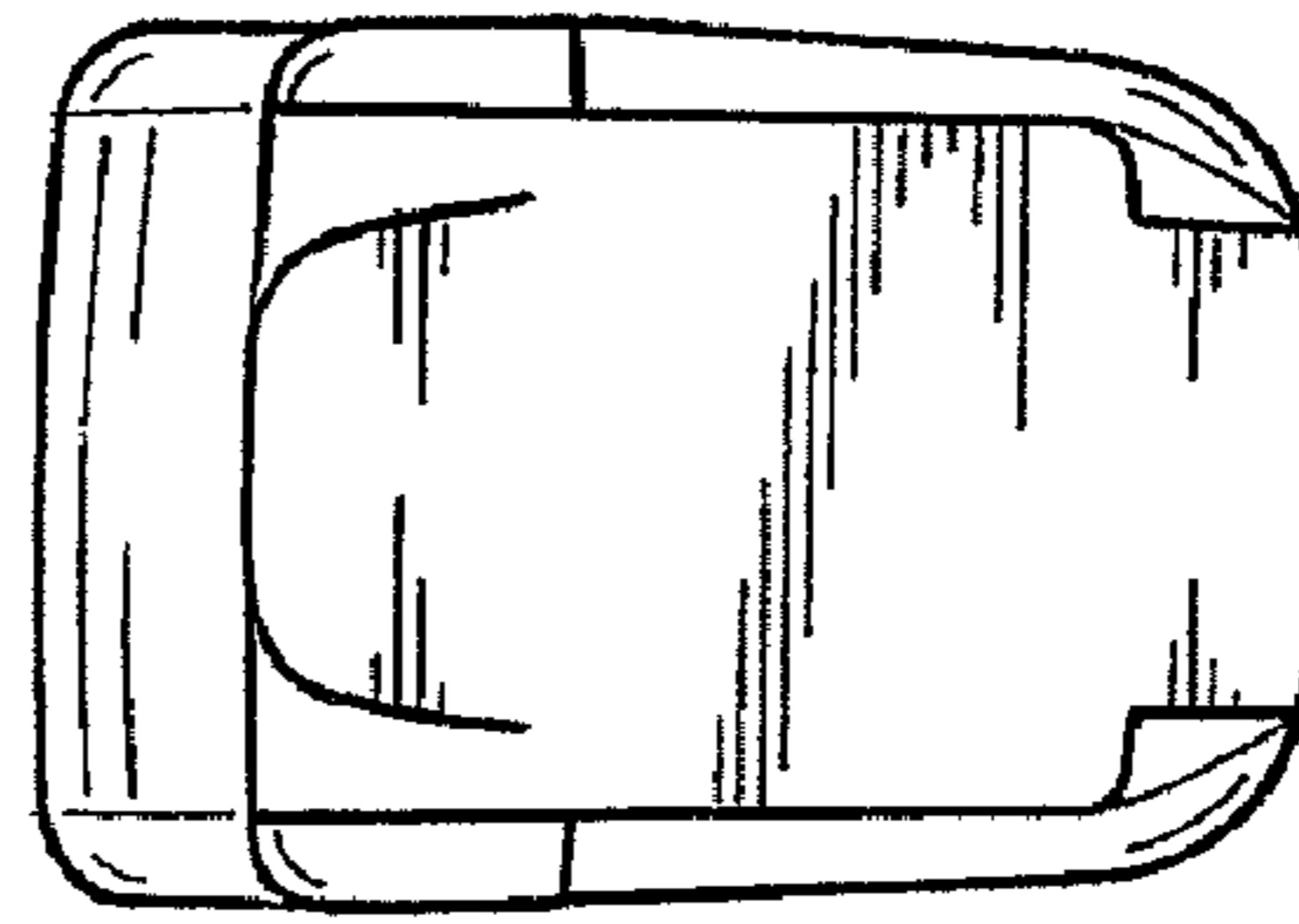


FIG. 2

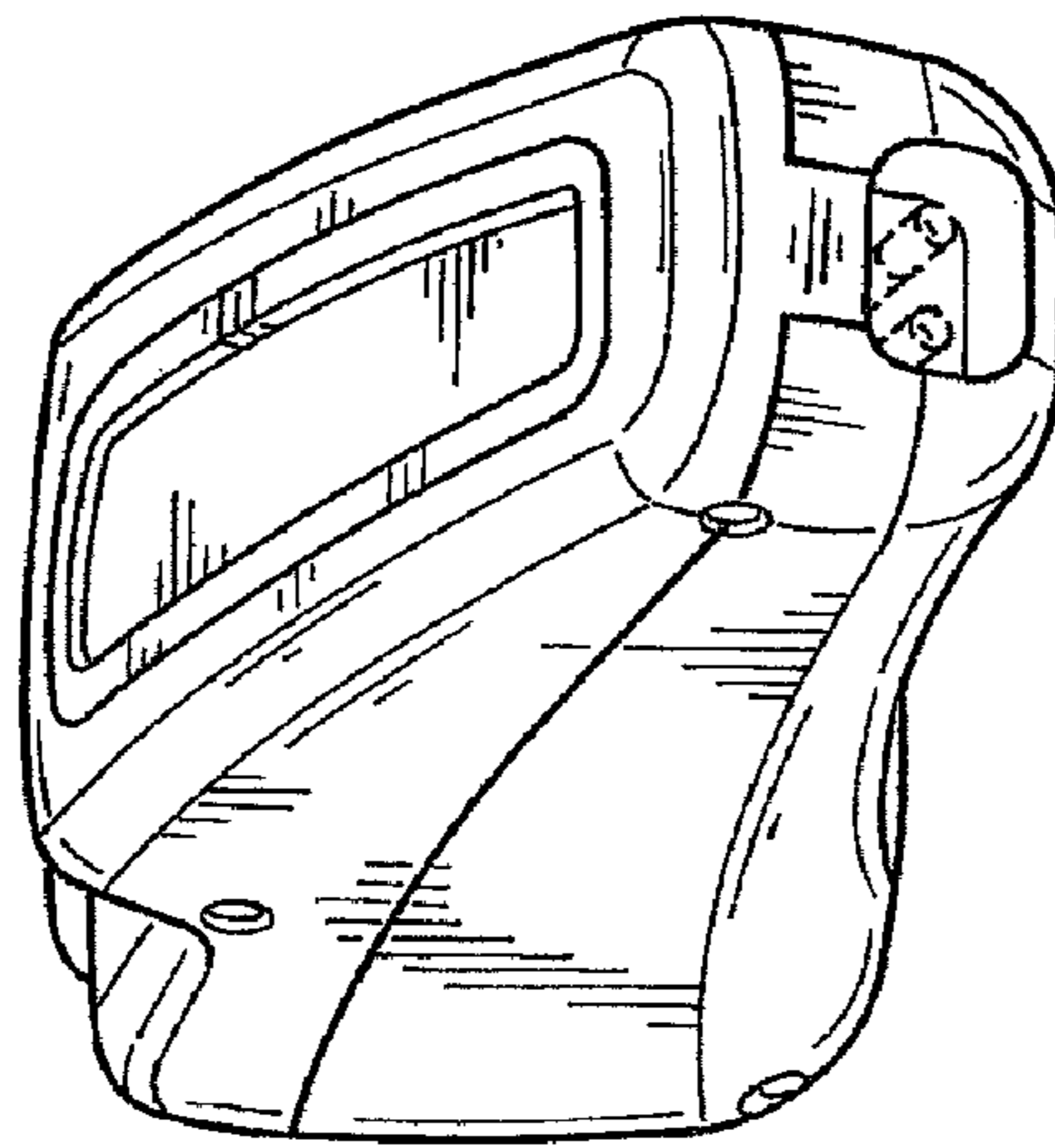


FIG. 3

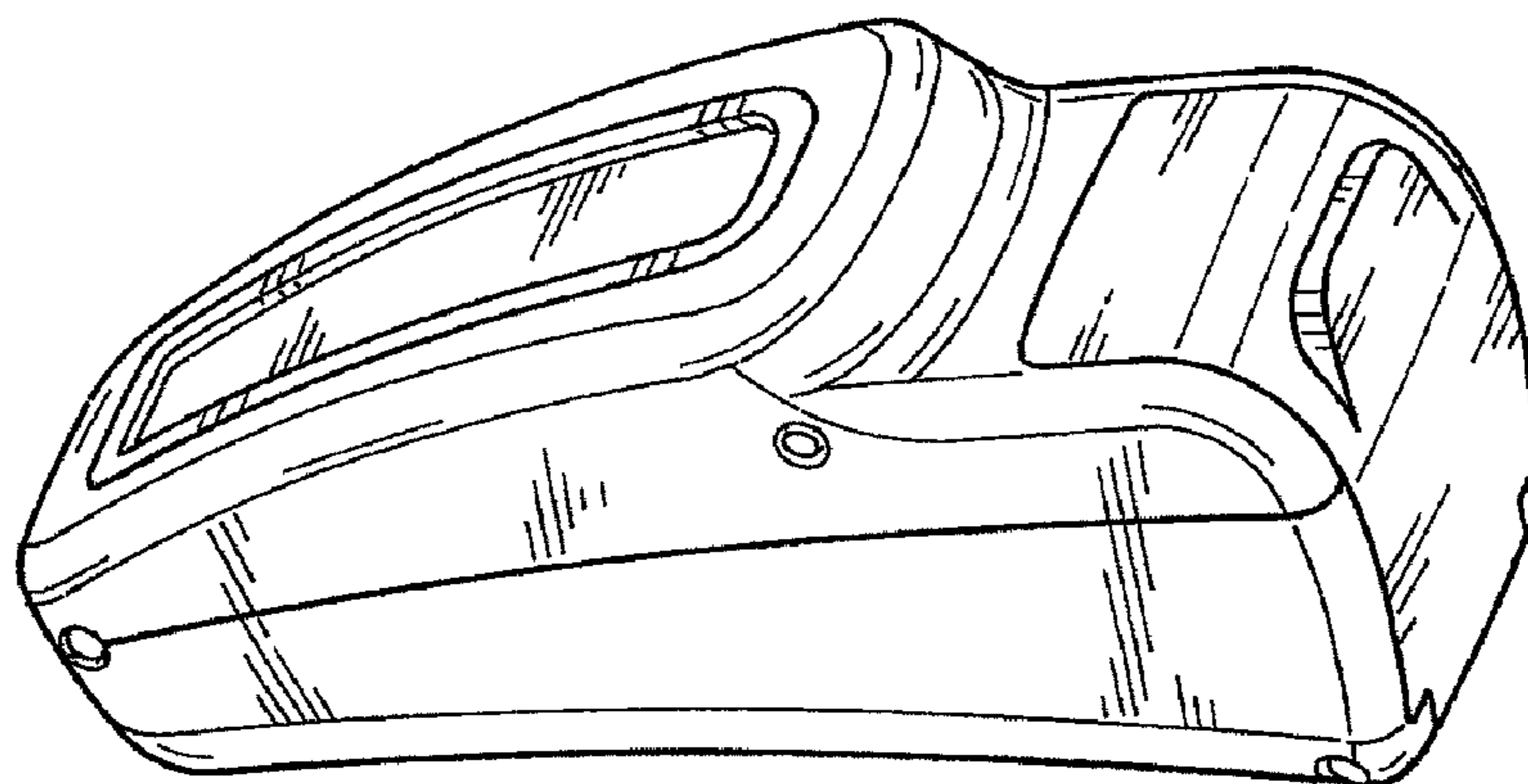


FIG. 4

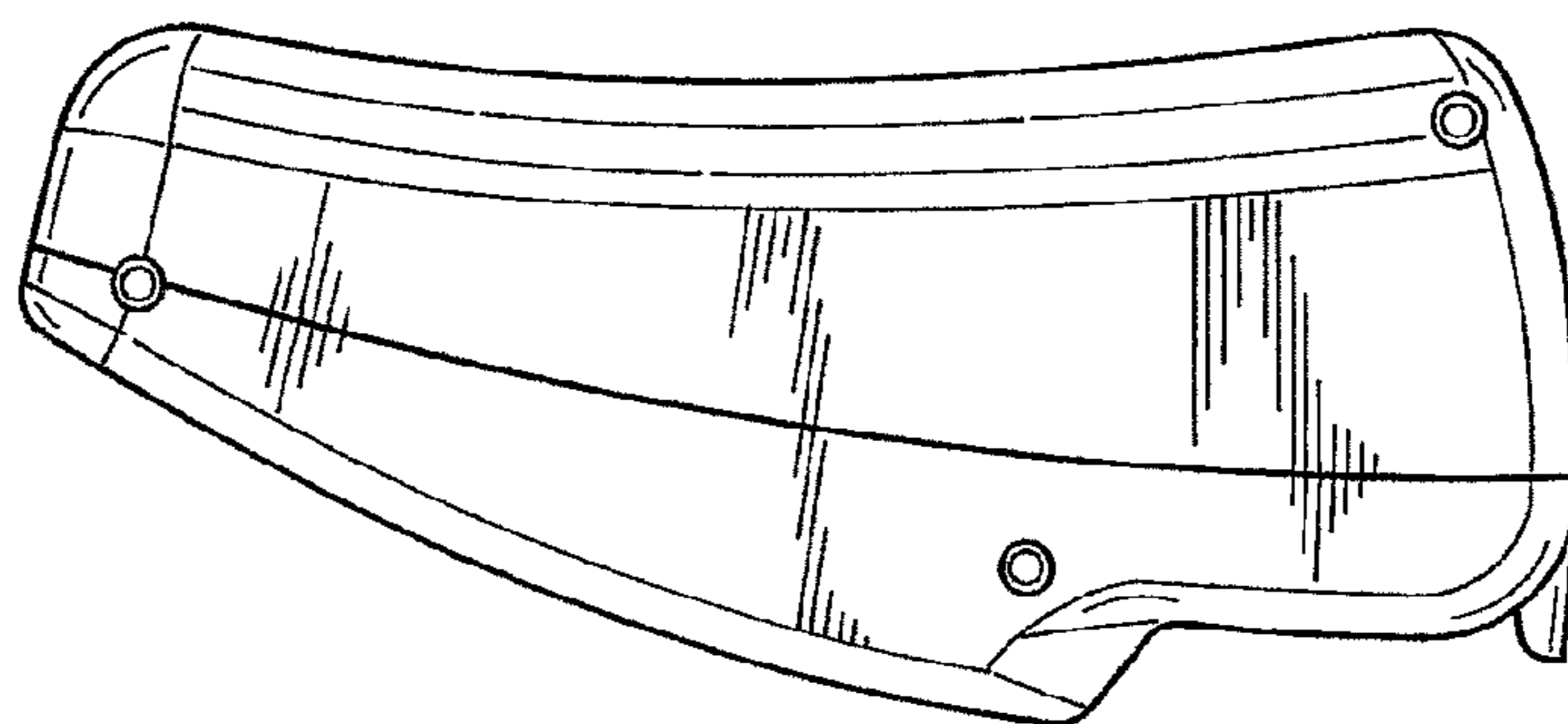


FIG. 5

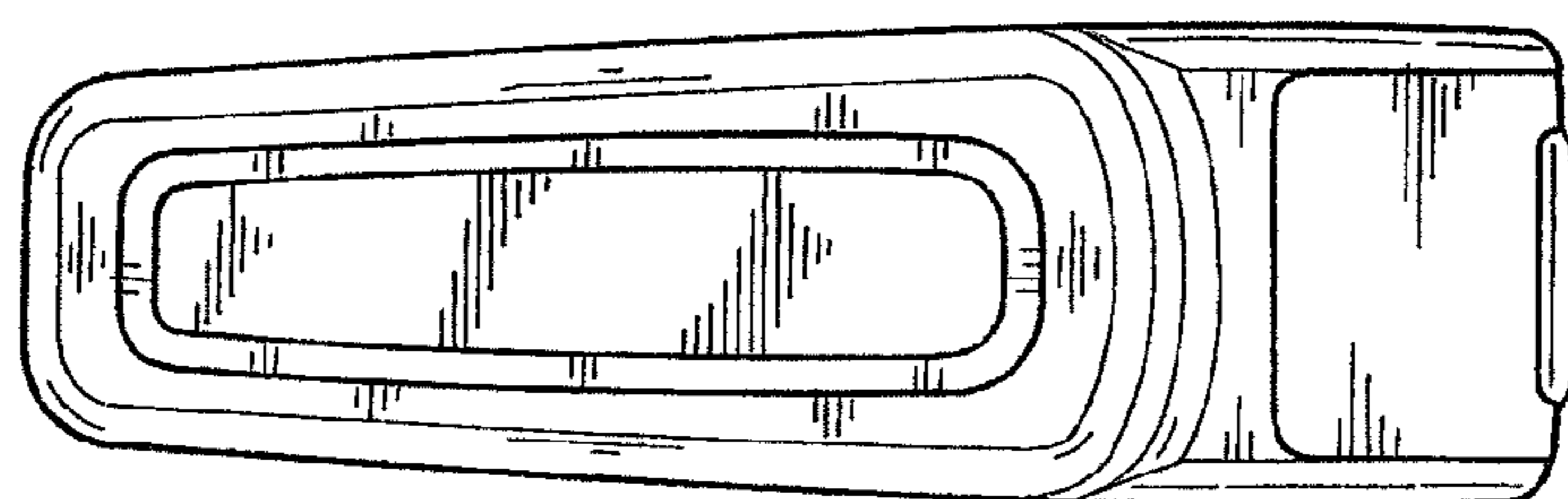


FIG. 6

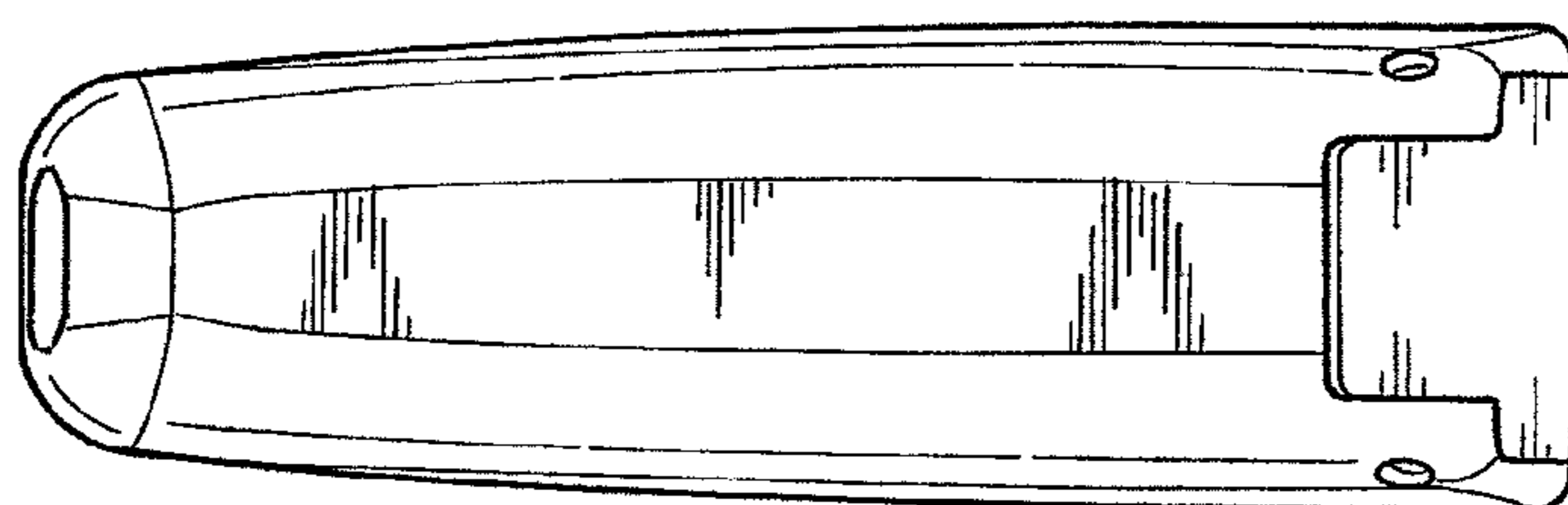


FIG. 7

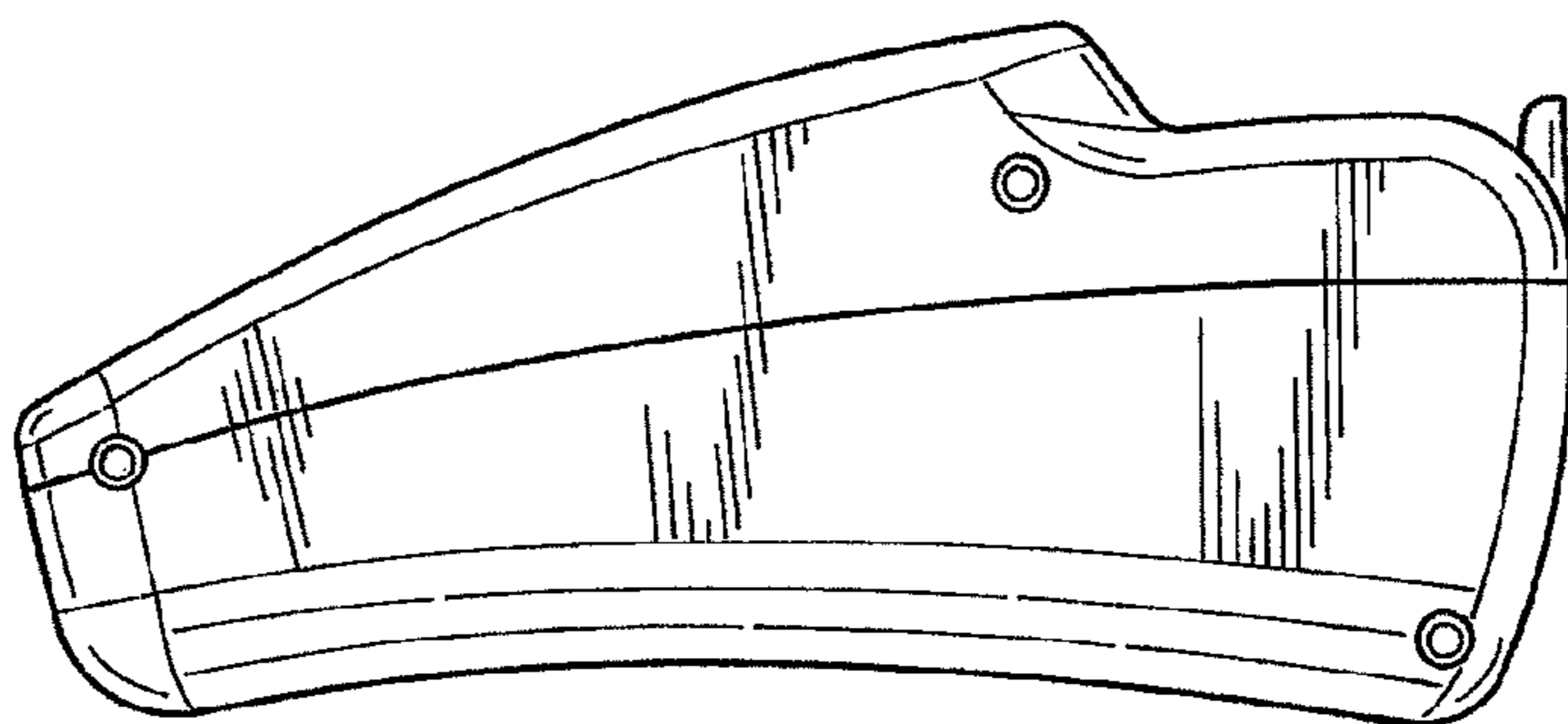


FIG. 8