



US00D642272S

(12) **United States Design Patent**
Aldecoa

(10) **Patent No.:** **US D642,272 S**

(45) **Date of Patent:** **** Jul. 26, 2011**

(54) **ABUTMENT**

(75) Inventor: **Eduardo Anitua Aldecoa**, Vitoria (ES)

(73) Assignee: **Biotechnology Institute, I Mas D, S.L.**, Alava (ES)

(**) Term: **14 Years**

(21) Appl. No.: **29/358,037**

(22) Filed: **Mar. 22, 2010**

(51) **LOC (9) Cl.** **24-03**

(52) **U.S. Cl.** **D24/156**

(58) **Field of Classification Search** D24/155-156,
D24/176, 180; D8/387-388; 606/304, 74;
433/125-126, 172-176

See application file for complete search history.

(56) **References Cited**

U.S. PATENT DOCUMENTS

6,030,219	A *	2/2000	Zuest et al.	433/181
6,068,479	A *	5/2000	Kwan	433/173
D467,343	S *	12/2002	Whitehead	D24/156
D486,912	S *	2/2004	Schulter et al.	D24/156
D486,914	S *	2/2004	Schulter et al.	D24/156
D487,152	S *	2/2004	Schulter et al.	D24/156
D487,153	S *	2/2004	Schulter et al.	D24/156
D493,535	S *	7/2004	Whitehead	D24/156

D493,890	S *	8/2004	Schulter et al.	D24/156
7,104,797	B2 *	9/2006	Rassoli	433/173
D611,148	S *	3/2010	White, III	D24/156
D612,056	S *	3/2010	White, III	D24/156
2009/0197218	A1 *	8/2009	Wiener	433/173

* cited by examiner

Primary Examiner — Ian Simmons

Assistant Examiner — Wan Laymon

(74) *Attorney, Agent, or Firm* — Browdy and Neimark, PLLC

(57) **CLAIM**

The ornamental design for an abutment, as shown and described.

DESCRIPTION

FIG. 1 is a top perspective view of the abutment according to the claimed design;

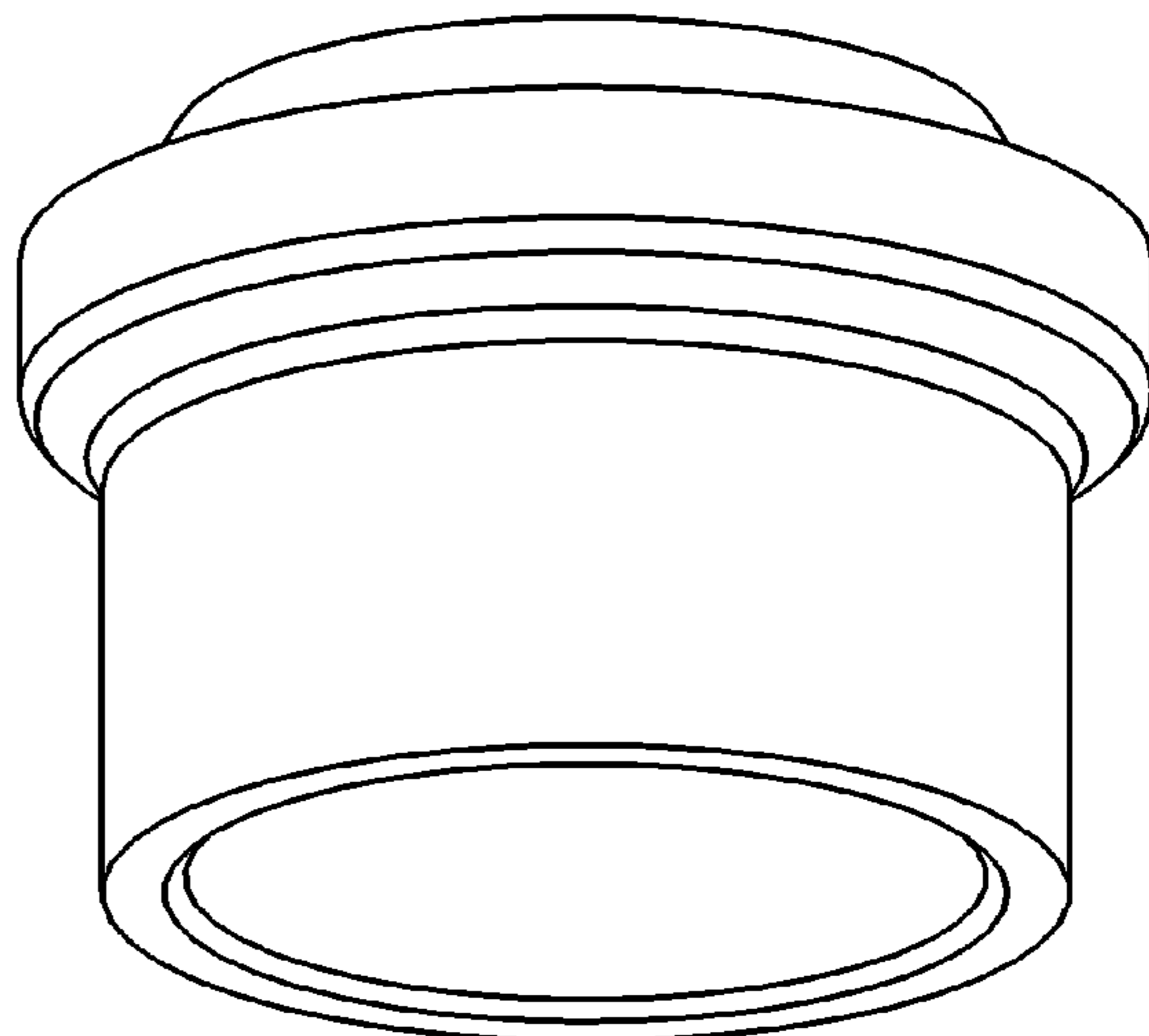
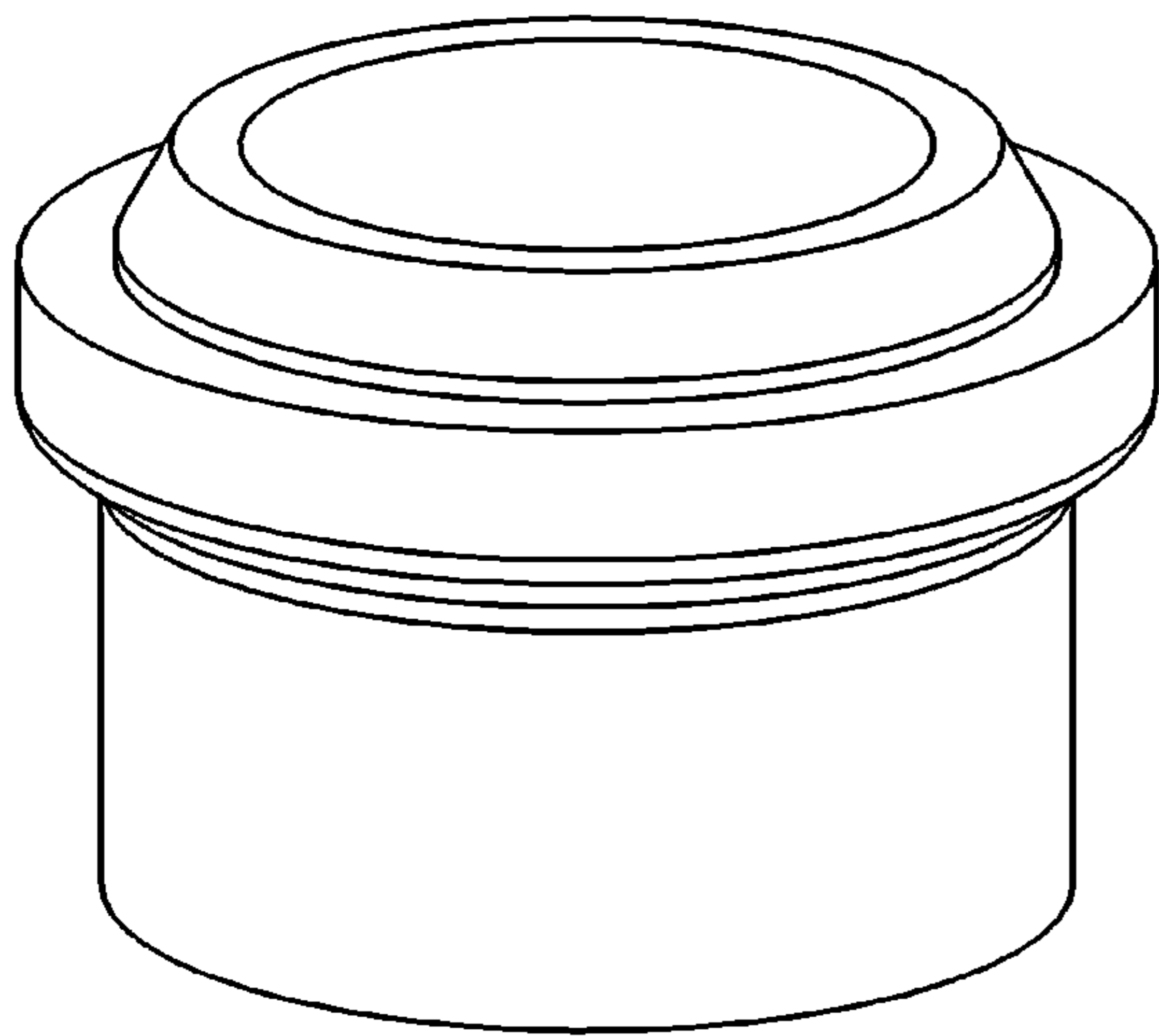
FIG. 2 is a bottom perspective view of the abutment according to the claimed design;

FIG. 3 is a front view of the abutment according to the claimed design;

FIG. 4 is a top view of the abutment according to the claimed design; and,

FIG. 5 is a bottom view of the abutment according to the claimed design.

1 Claim, 5 Drawing Sheets



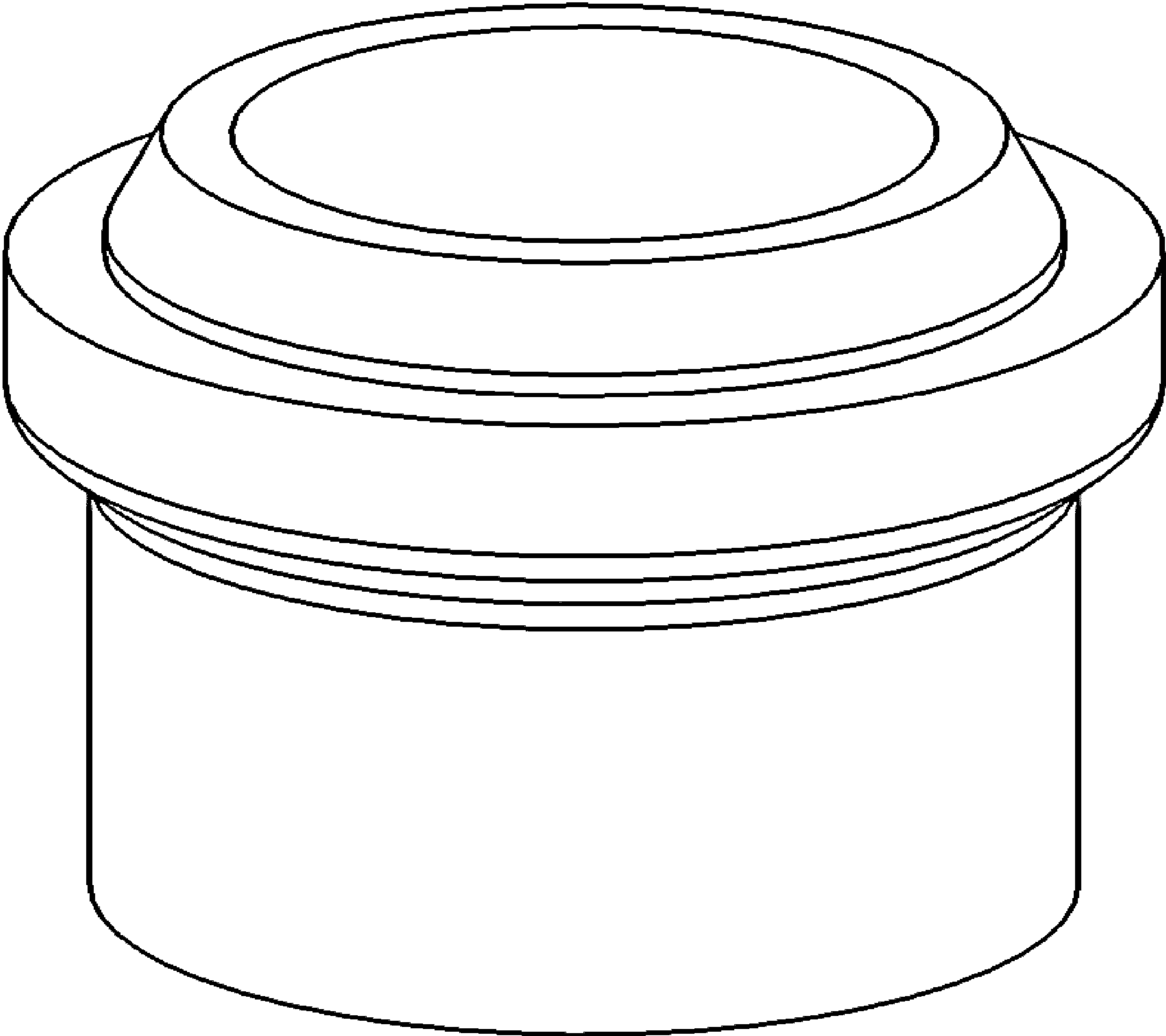


FIG. 1

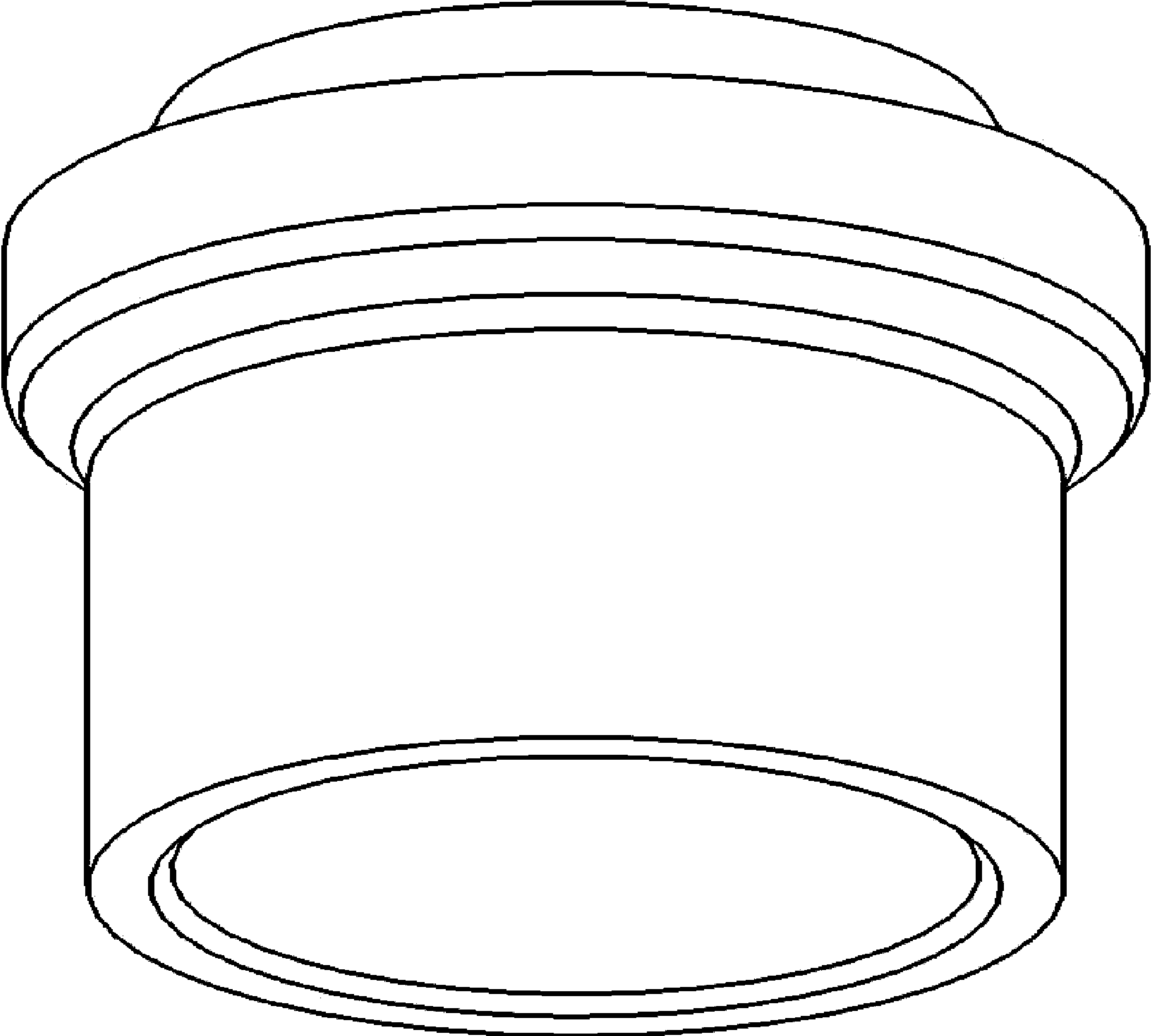


FIG. 2

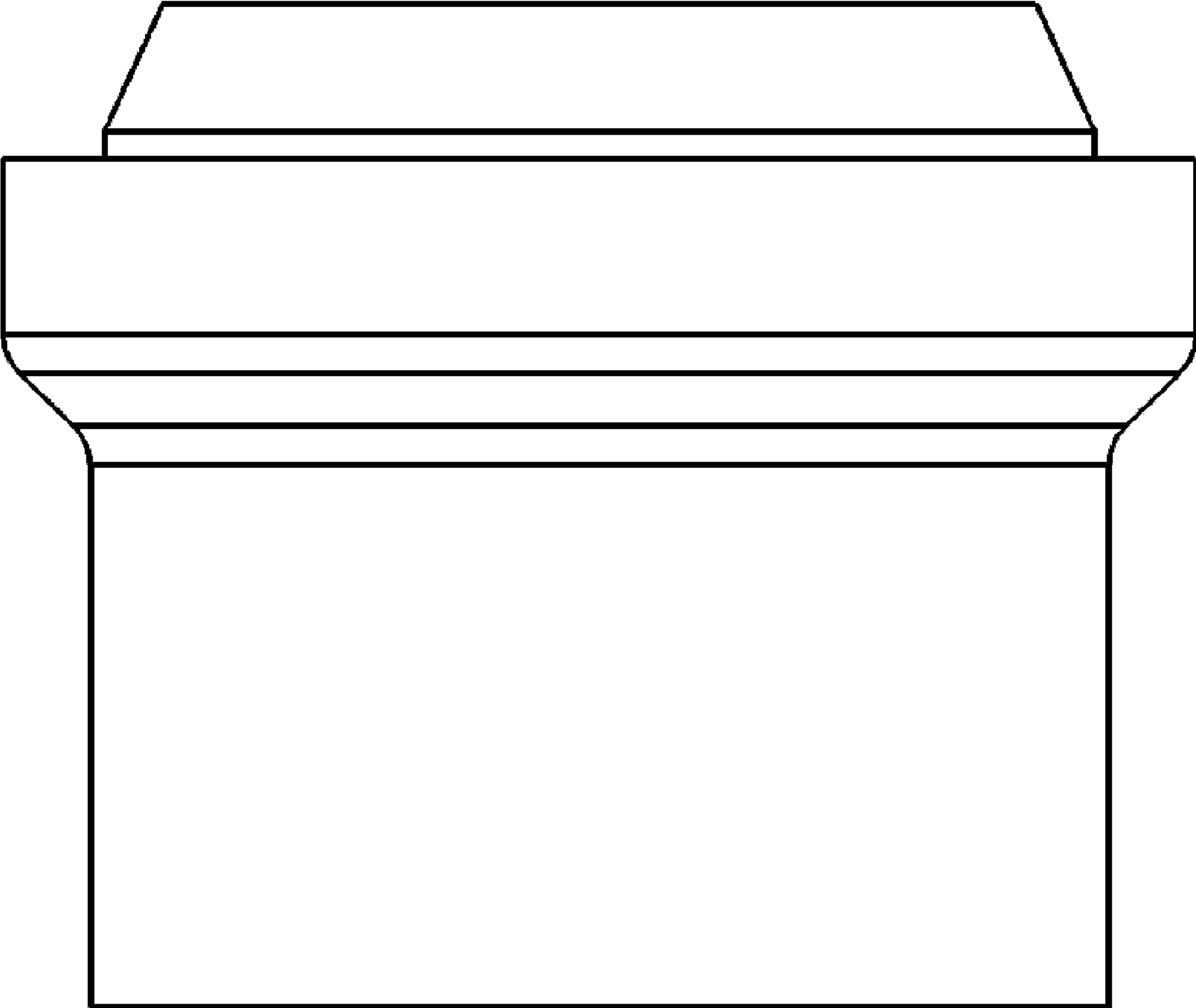


FIG. 3

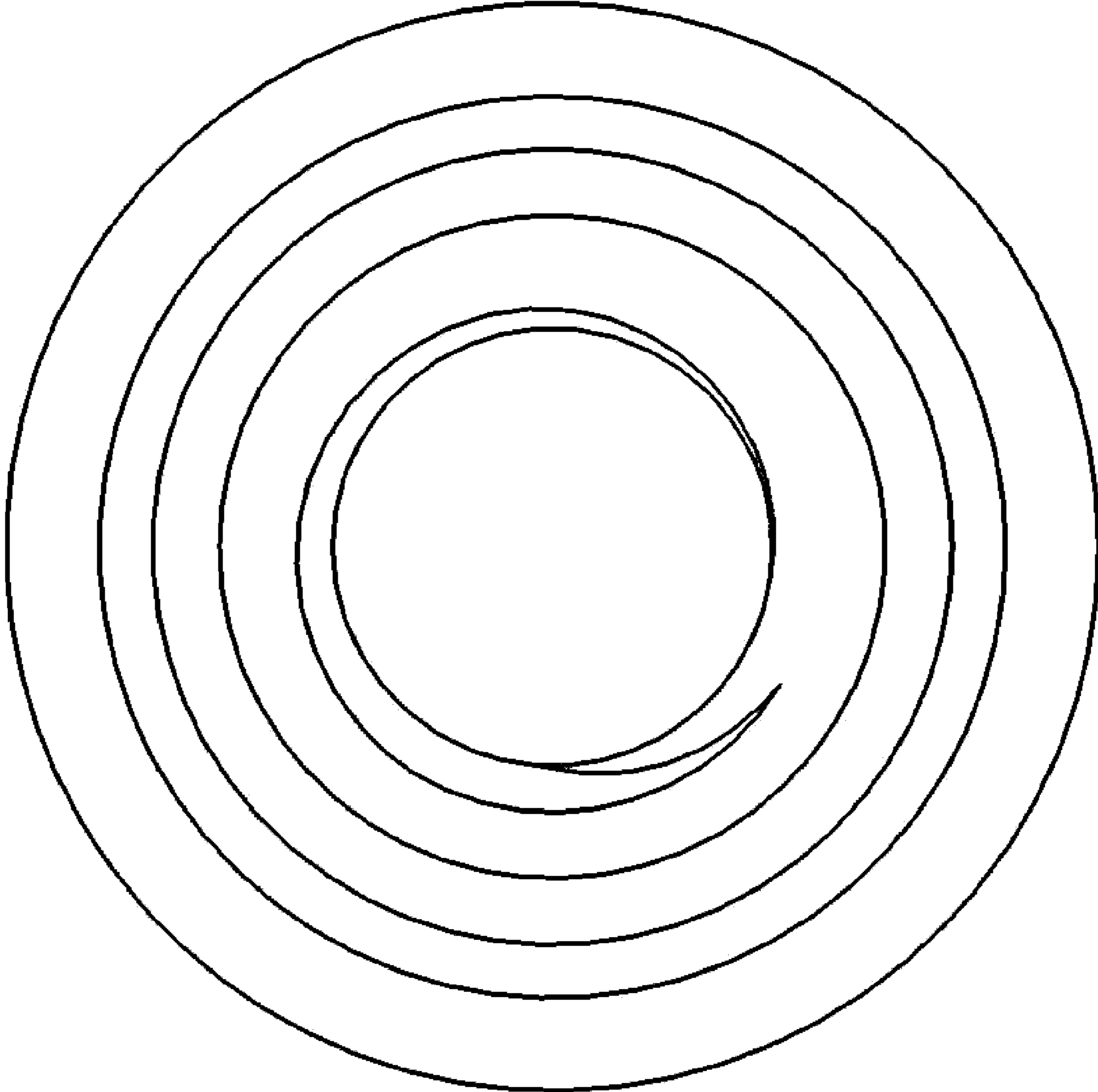


FIG. 4

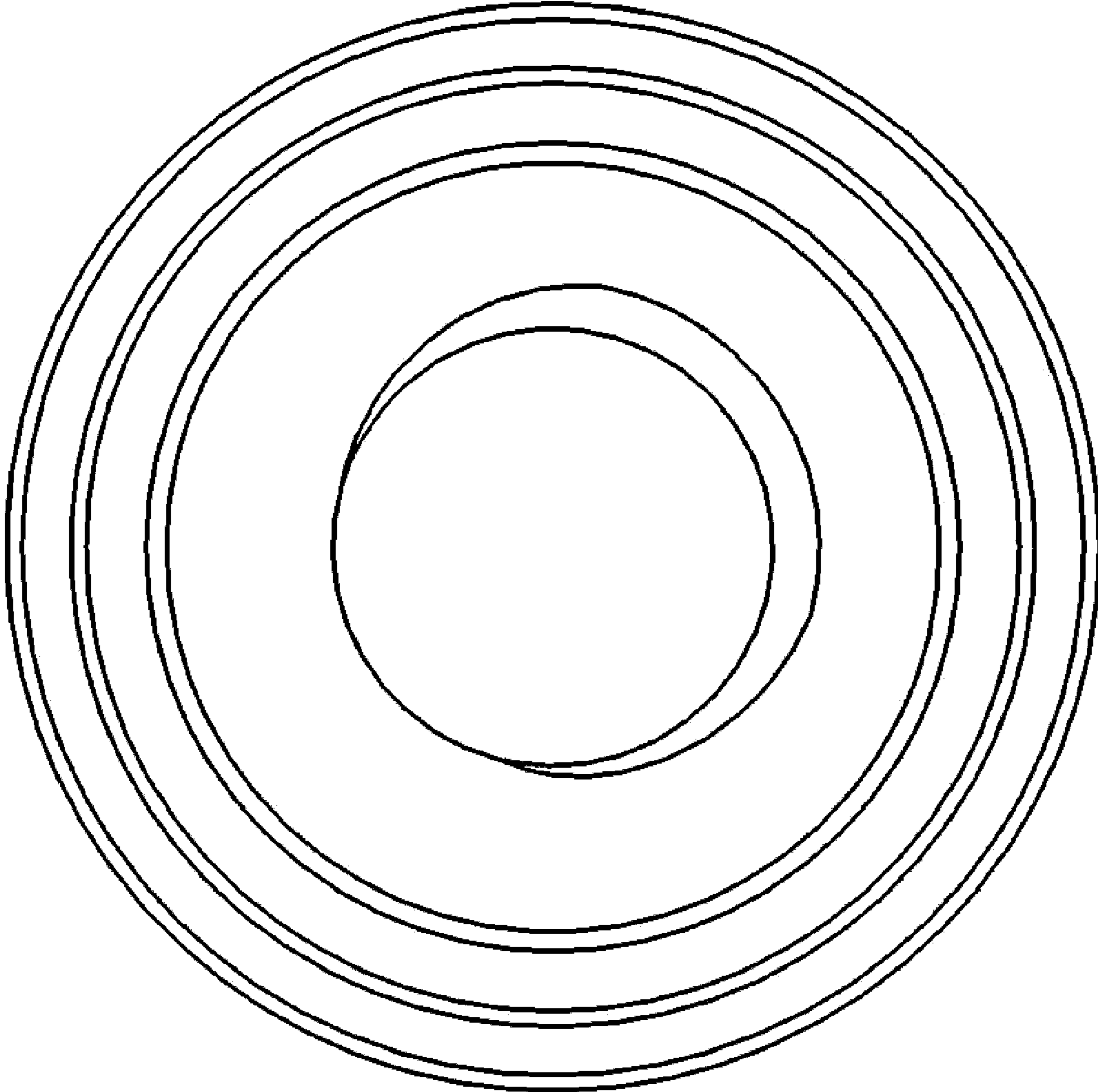


FIG. 5