



US00D642270S

(12) **United States Design Patent**  
**McAfee**

(10) **Patent No.:** **US D642,270 S**  
(45) **Date of Patent:** **\*\* Jul. 26, 2011**

- (54) **RIGID ORTHOPEDIC SCREW**
- (75) Inventor: **Paul McAfee**, Sparks, MD (US)
- (73) Assignee: **Globus Medical, Inc.**, Audubon, PA (US)
- (\*\*) Term: **14 Years**
- (21) Appl. No.: **29/356,363**
- (22) Filed: **Feb. 24, 2010**
- (51) **LOC (9) Cl.** ..... **24-03**
- (52) **U.S. Cl.** ..... **D24/155; D8/387**
- (58) **Field of Classification Search** ..... D24/155, D24/156, 157; 623/17.11, 16.71; D8/391-393, D8/382, 354, 387; 606/246, 247, 248, 249, 606/258, 267, 280, 70, 71, 283, 299, 166, 606/903, 905, 906, 286, 396, 17.13  
See application file for complete search history.

6,723,100	B2	4/2004	Biedermann et al.	
7,261,716	B2 *	8/2007	Strobel et al.	606/314
7,303,562	B2	12/2007	Cavagna et al.	
D583,946	S *	12/2008	Schendel	D24/156
D601,702	S *	10/2009	Gotfried	D24/145
7,749,259	B2 *	7/2010	Lim et al.	606/314
7,785,327	B1 *	8/2010	Navarro et al.	606/71
D629,519	S *	12/2010	Horton	D24/155
2003/0171755	A1	9/2003	Moseley et al.	
2005/0059973	A1	3/2005	Dierks	
2005/0080421	A1 *	4/2005	Weaver et al.	606/69
2005/0154393	A1	7/2005	Doherty et al.	
2006/0235389	A1	10/2006	Albert et al.	

\* cited by examiner

*Primary Examiner* — Ian Simmons  
*Assistant Examiner* — Charles Hanson

(57) **CLAIM**  
The ornamental design for a rigid orthopedic screw, as shown and described.

(56) **References Cited**

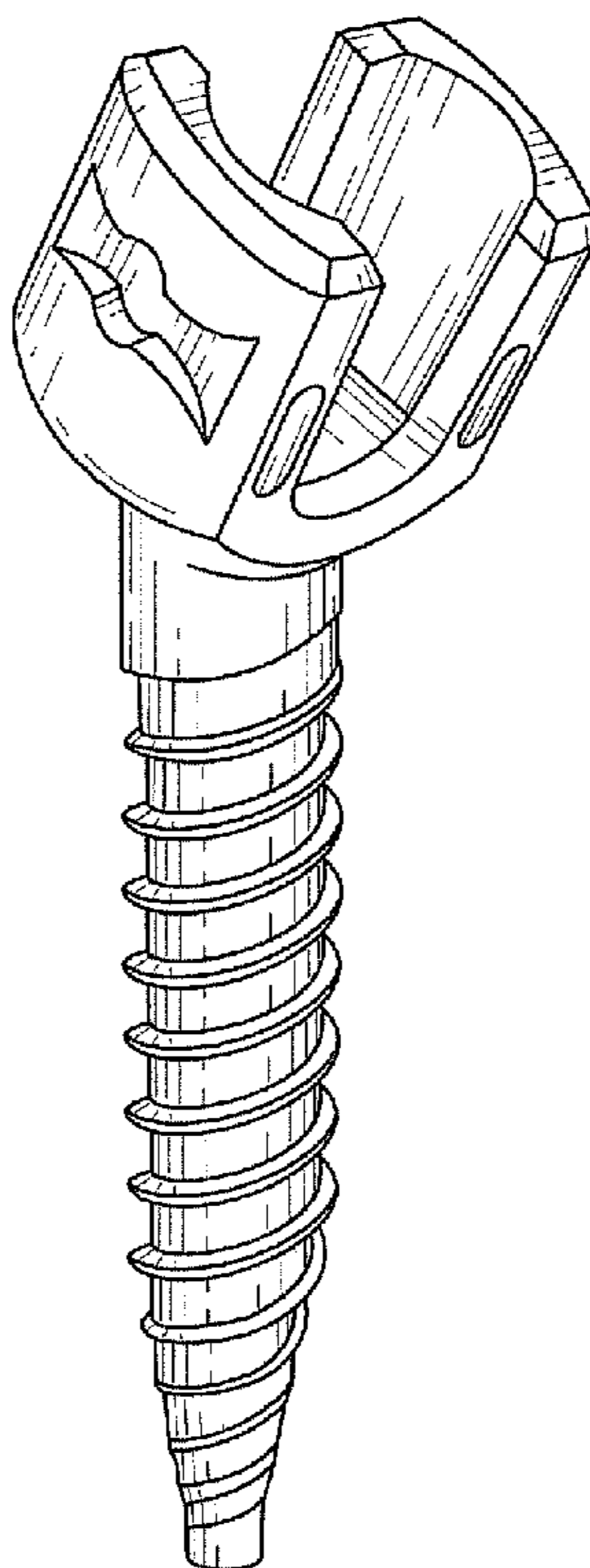
U.S. PATENT DOCUMENTS

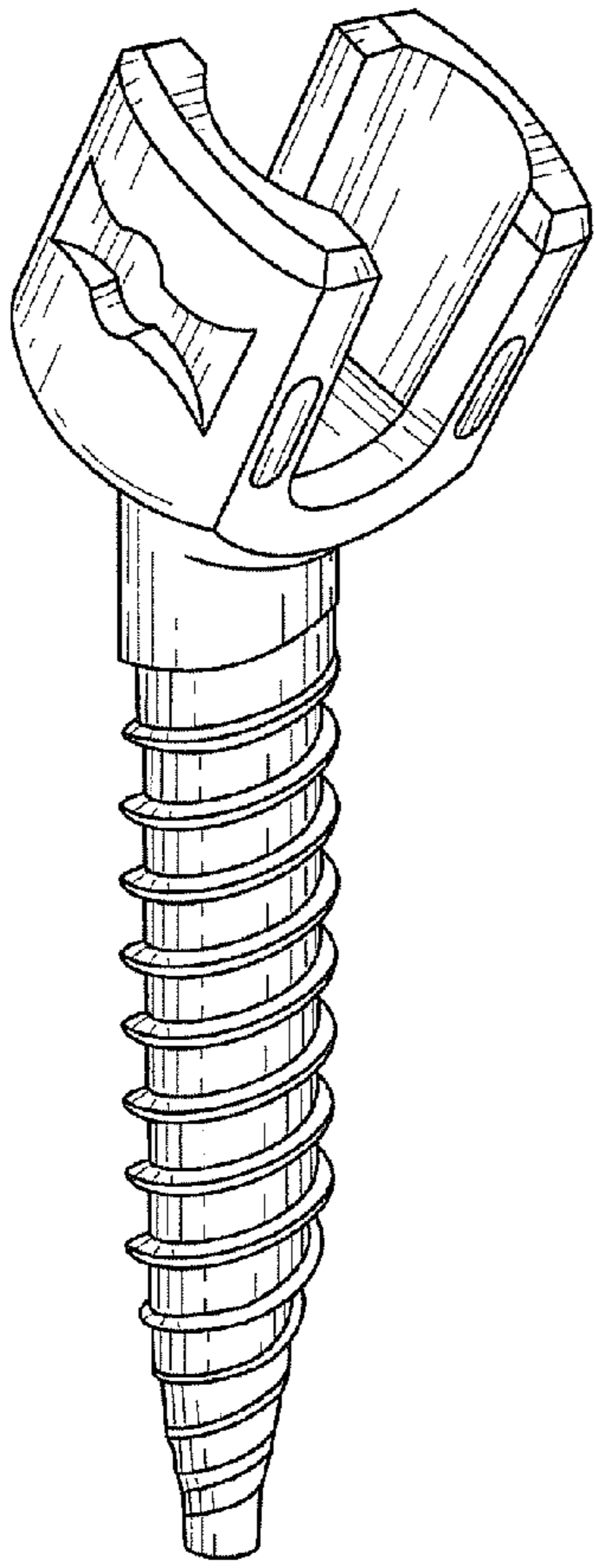
17,488	A	6/1857	Coffin, Jr.	
603,891	A	5/1898	Cassil	
5,067,955	A	11/1991	Cotrel	
5,797,917	A *	8/1998	Boyd et al.	606/99
D401,694	S *	11/1998	Daftary	D24/155
D411,009	S *	6/1999	Asfora	D24/155
5,968,047	A *	10/1999	Reed	606/76
6,074,393	A	6/2000	Sitoto	
D455,833	S *	4/2002	Daftary	D24/155
6,371,989	B1 *	4/2002	Chauvin et al.	623/17.11
6,623,486	B1 *	9/2003	Weaver et al.	606/281

**DESCRIPTION**

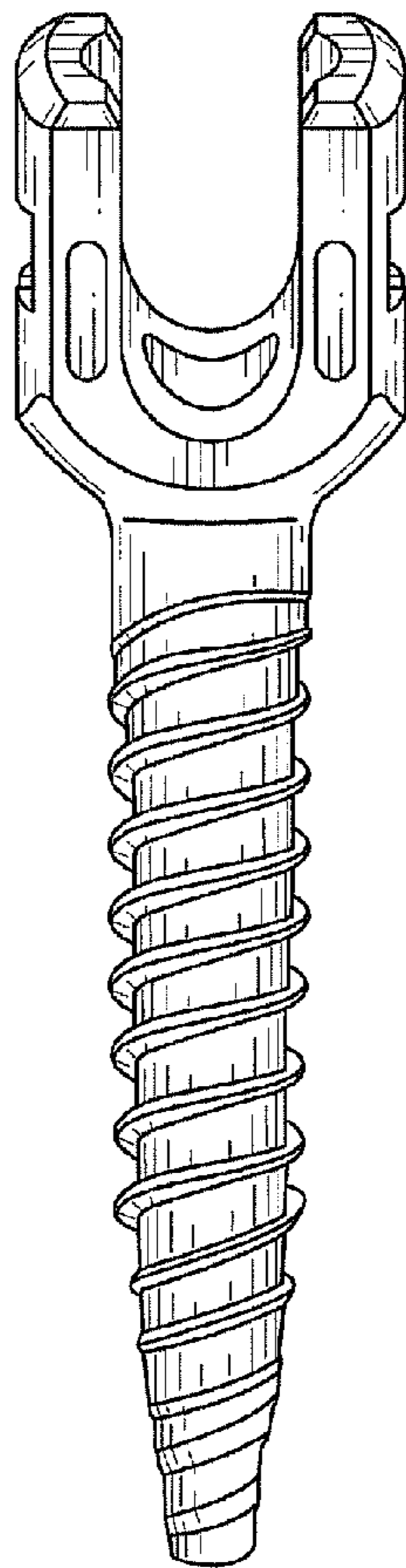
FIG. 1 is a perspective view of a rigid orthopedic screw showing my new design;  
FIG. 2 is a front view of the screw according to FIG. 1;  
FIG. 3 is a back view of the screw according to FIG. 1;  
FIG. 4 is a left side view of the screw according to FIG. 1;  
FIG. 5 is a right side view of the screw according to FIG. 1;  
FIG. 6 is a bottom view of the screw according to FIG. 1; and,  
FIG. 7 is a top view of the screw according to FIG. 1.

**1 Claim, 2 Drawing Sheets**

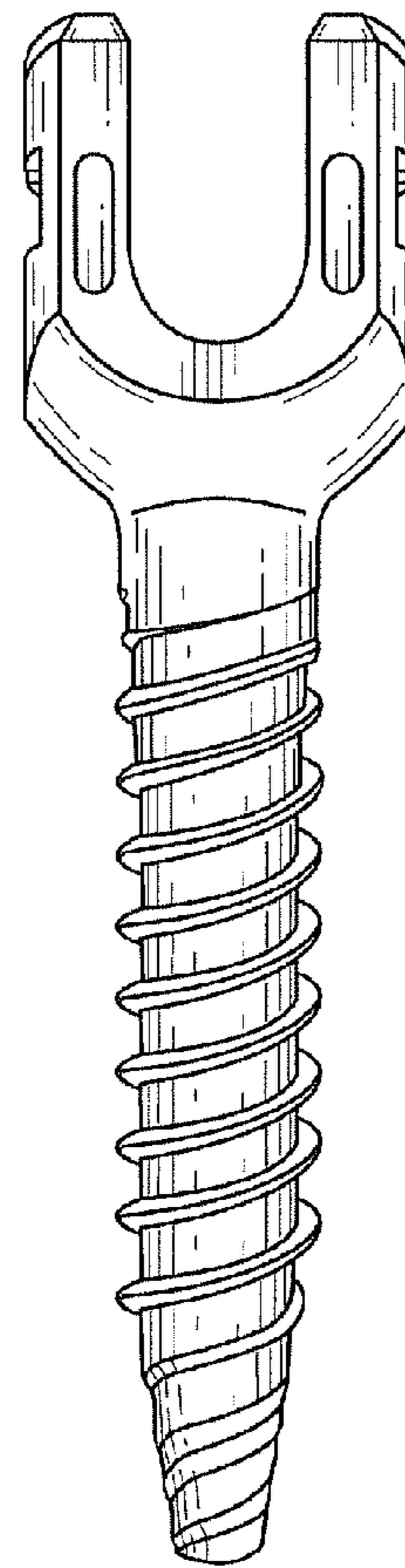




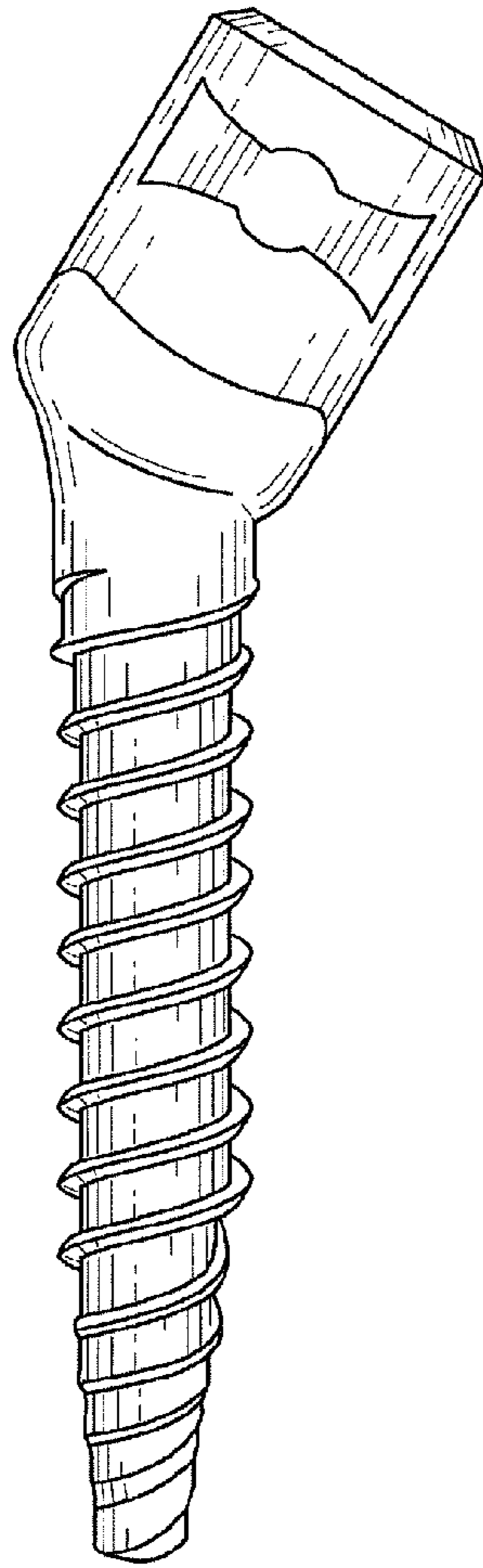
**FIG. 1**



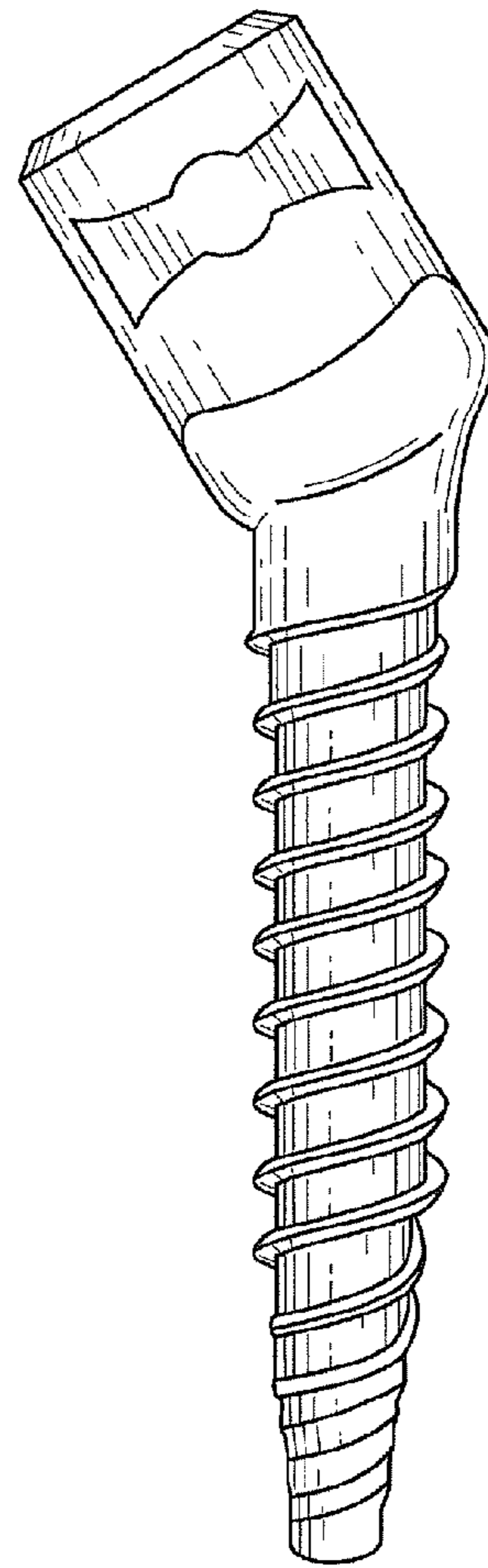
**FIG. 2**



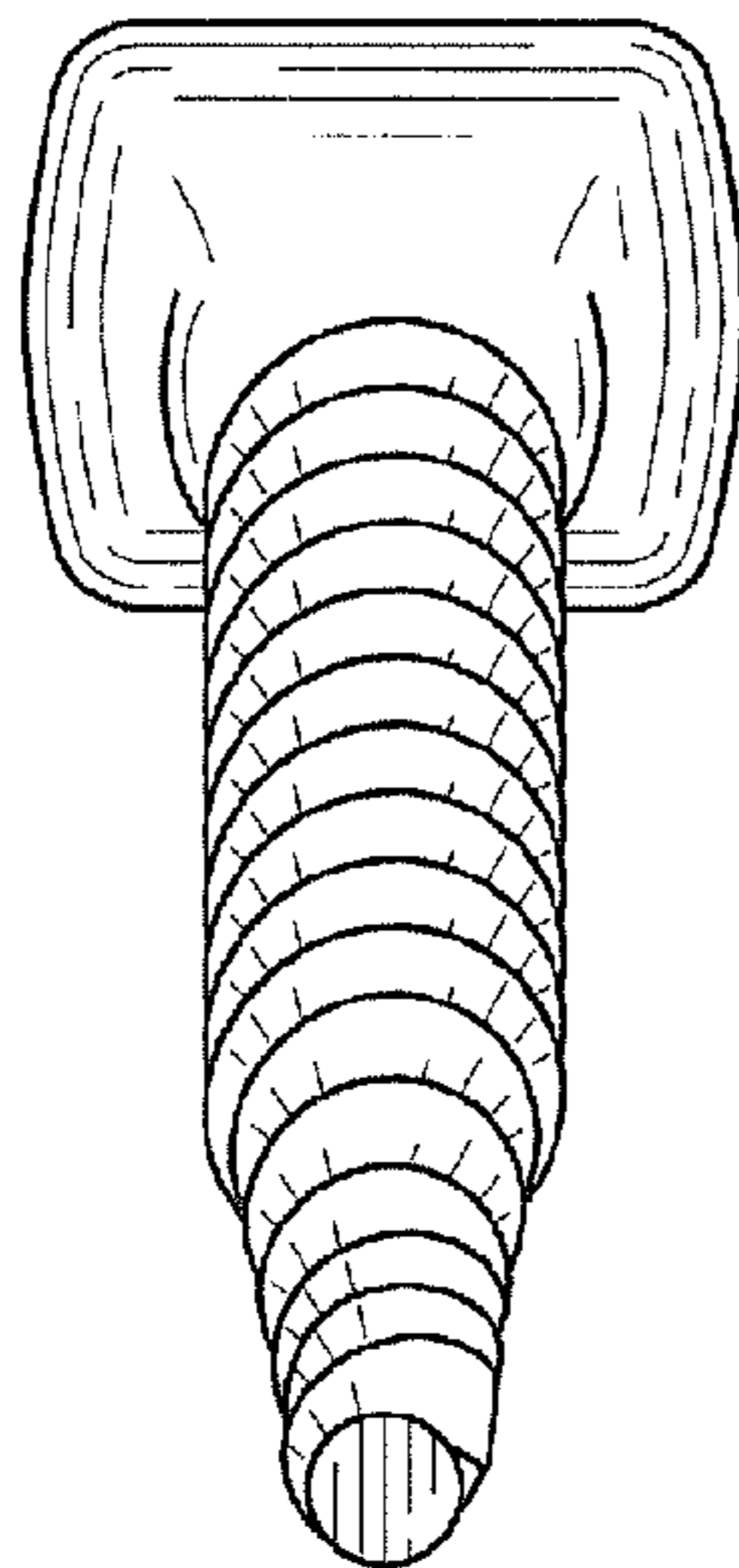
**FIG. 3**



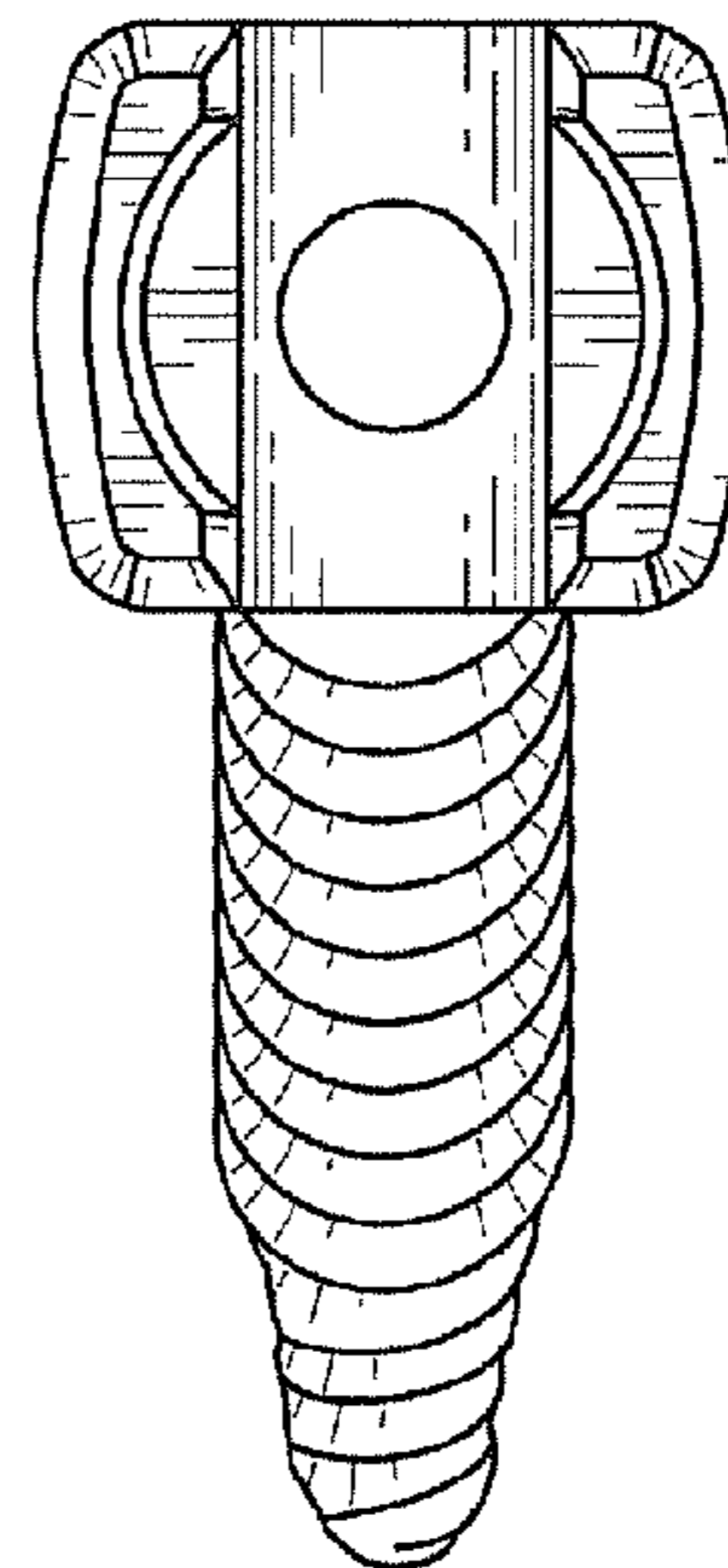
**FIG. 4**



**FIG. 5**



**FIG. 6**



**FIG. 7**