



US00D642269S

(12) **United States Design Patent**
Graham

(10) **Patent No.:** **US D642,269 S**

(45) **Date of Patent:** **** Jul. 26, 2011**

(54) **WAVE PLATE**

(76) **Inventor:** **Thomas J. Graham**, Baltimore, MD
(US)

(**) **Term:** **14 Years**

(21) **Appl. No.:** **29/343,712**

(22) **Filed:** **Sep. 17, 2009**

(51) **LOC (9) Cl.** **24-03**

(52) **U.S. Cl.** **D24/155**

(58) **Field of Classification Search** D24/155-157;
623/17.11, 17.12, 17.13, 17.14, 17.15, 17.16,
623/23.61, 23.56, 247, 213; 606/60, 61,
606/73, 95, 213, 246, 248, 249

See application file for complete search history.

(56) **References Cited**

U.S. PATENT DOCUMENTS

| | | | | |
|---------------|---------|-------------------|-------|---------|
| D37,574 S * | 7/1869 | Benedict | | D8/400 |
| 4,781,183 A * | 11/1988 | Casey et al. | | 606/76 |
| D479,331 S * | 9/2003 | Pike et al. | | D24/155 |
| D583,053 S * | 12/2008 | Zhukauskas et al. | | D24/155 |
| D597,209 S * | 7/2009 | Boulot | | D24/155 |

| | | | | |
|-------------------|---------|-------------------|-------|-----------|
| D605,768 S * | 12/2009 | Zhukauskas et al. | | D24/155 |
| D625,016 S * | 10/2010 | Potts et al. | | D24/187 |
| 2005/0159812 A1 * | 7/2005 | Dinger et al. | | 623/13.14 |

* cited by examiner

Primary Examiner — Ian Simmons

Assistant Examiner — Charles Hanson

(74) *Attorney, Agent, or Firm* — Tarolli, Sundheim, Covell & Tummino LLP

(57) **CLAIM**

The ornamental design for a wave plate, as shown and described.

DESCRIPTION

FIG. 1 is a perspective view of the wave plate of the instant invention;

FIG. 2 is a right side plane view thereof;

FIG. 3 is a left side plane view thereof;

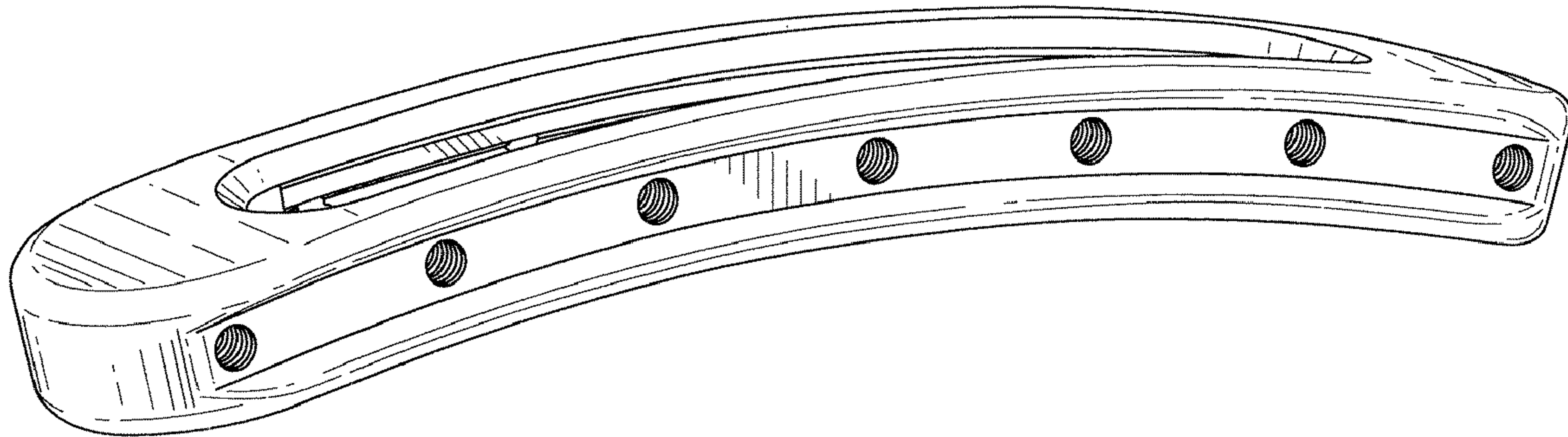
FIG. 4 is a top plane view thereof;

FIG. 5 is a bottom plane view thereof;

FIG. 6 is a front end view thereof; and,

FIG. 7 is a rear end view thereof.

1 Claim, 4 Drawing Sheets



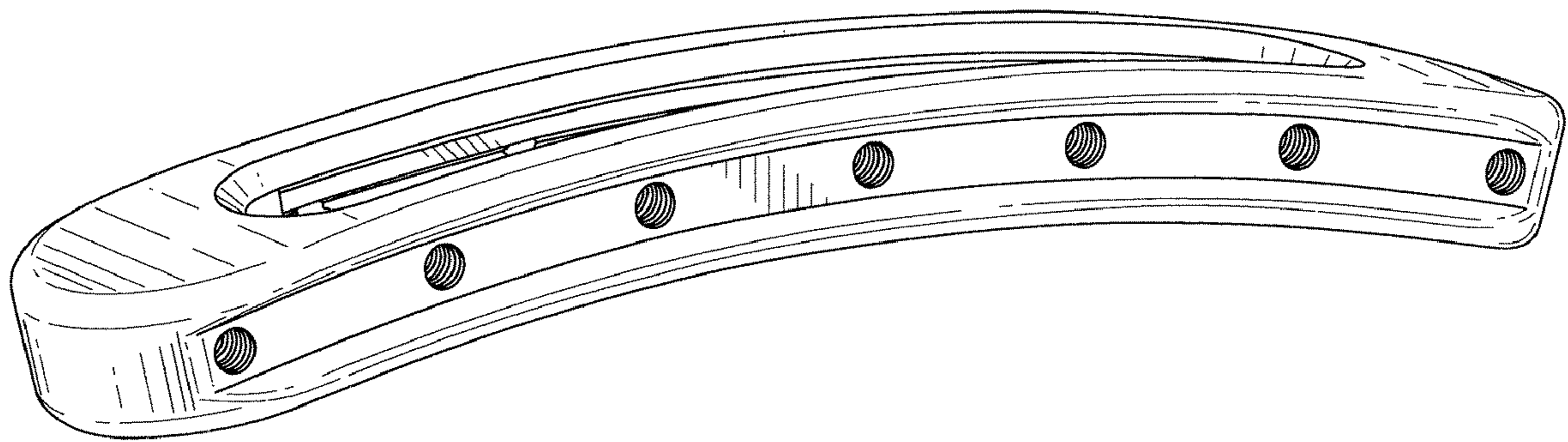


FIG. 1

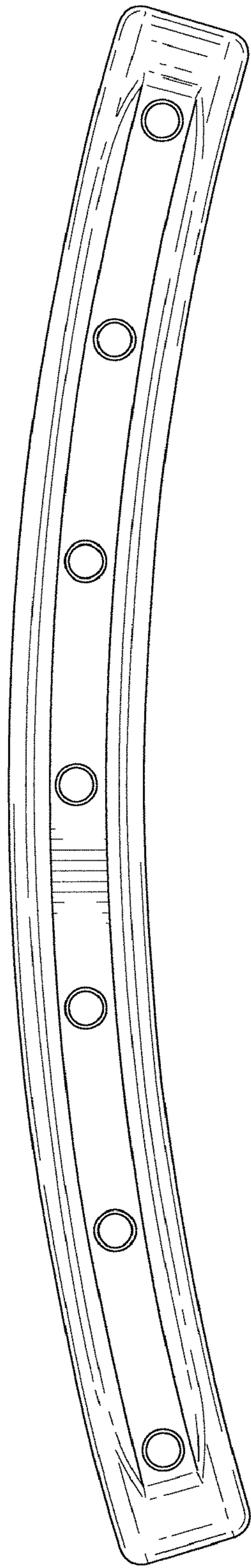


FIG. 2

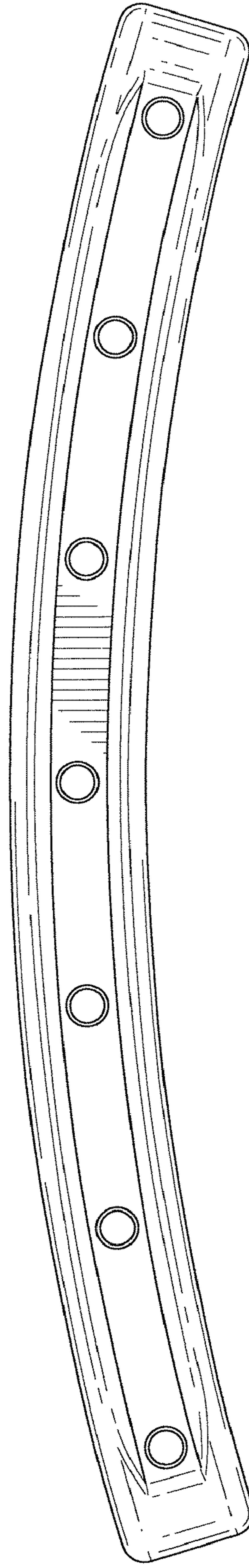


FIG. 3

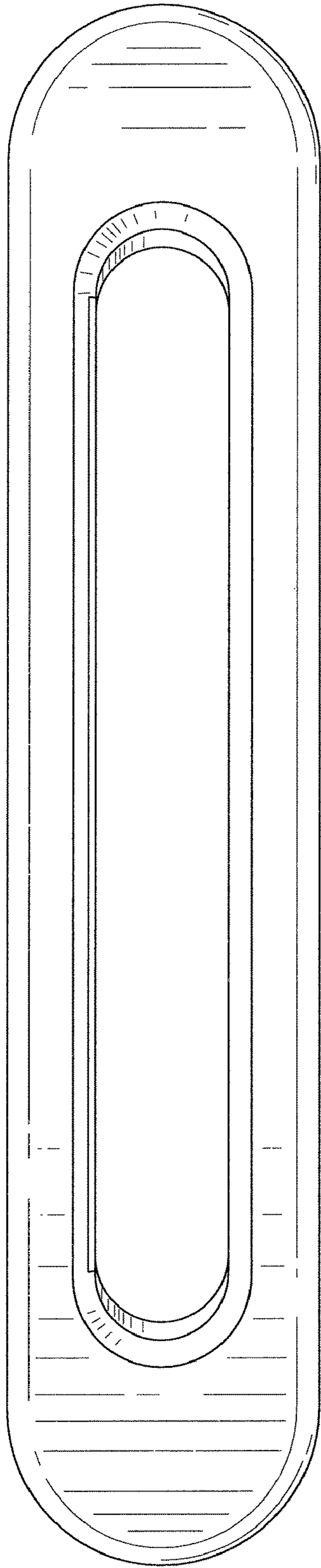


FIG. 4

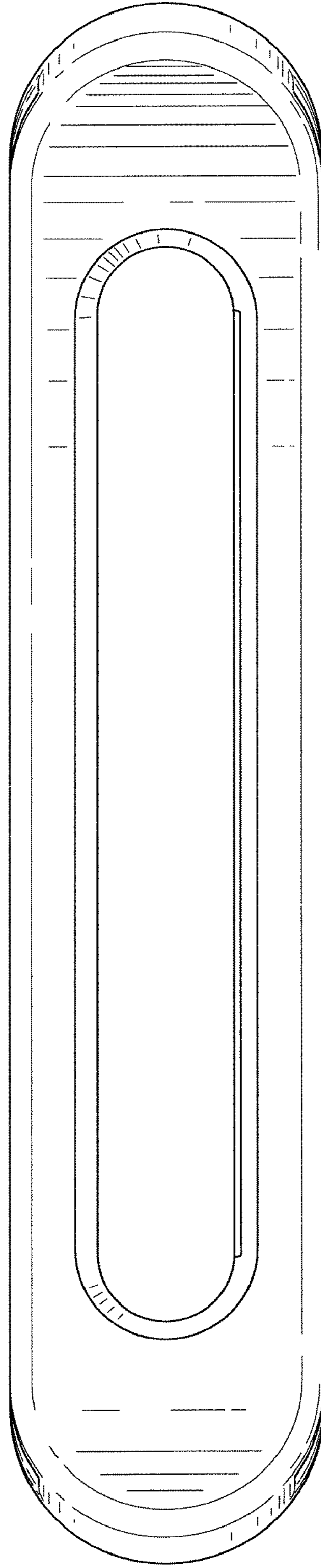


FIG. 5

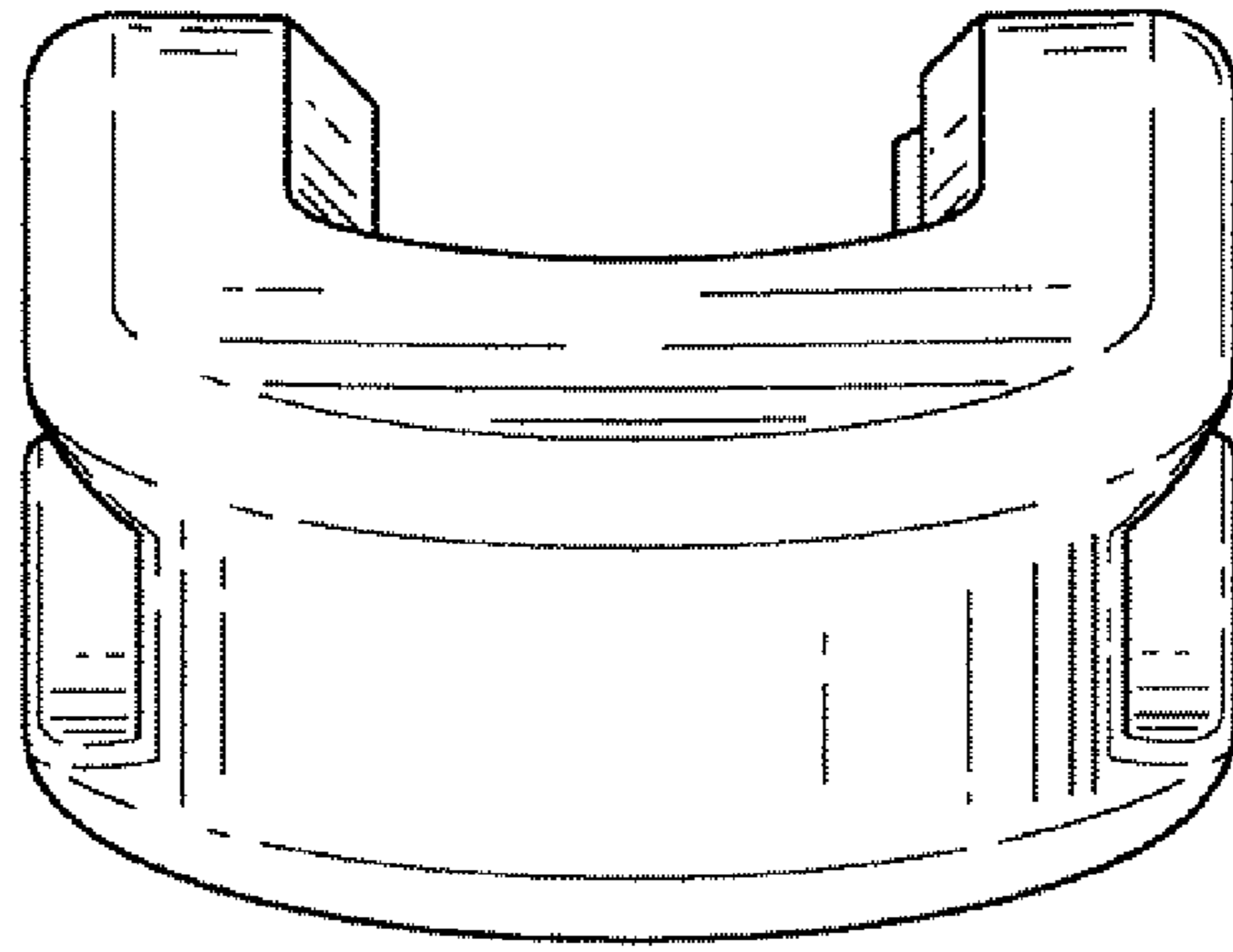


FIG. 6

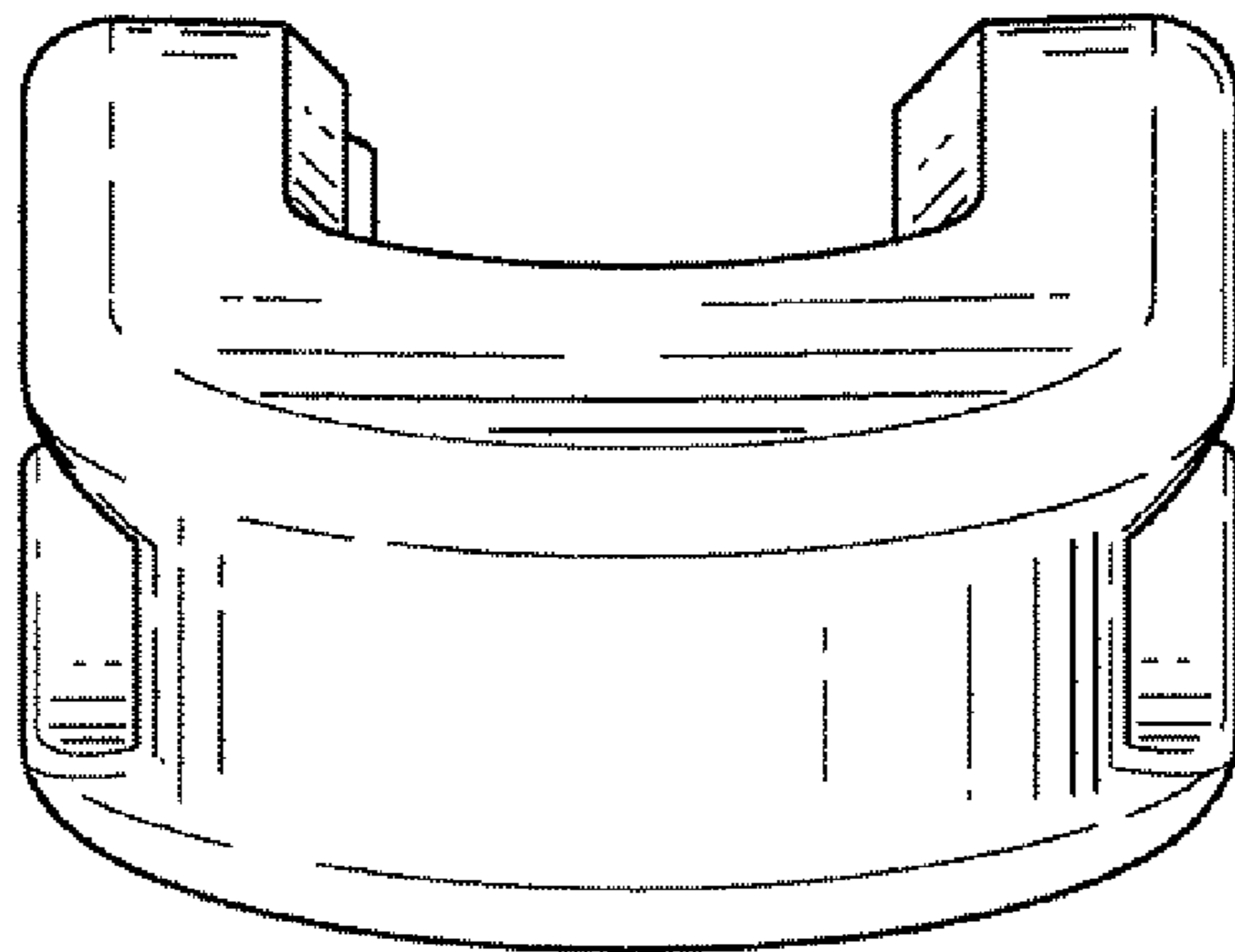


FIG. 7