



US00D642268S

(12) **United States Design Patent**
Qureshi

(10) **Patent No.:** **US D642,268 S**

(45) **Date of Patent:** **** Jul. 26, 2011**

(54) **HEX ROD FOR SPINAL SURGERY**

(75) Inventor: **Abid Qureshi**, Walnut Creek, CA (US)

(73) Assignee: **Theken Spine, LLC**, Akron, OH (US)

(**) Term: **14 Years**

(21) Appl. No.: **29/342,517**

(22) Filed: **Aug. 26, 2009**

(51) **LOC (9) Cl.** **24-03**

(52) **U.S. Cl.** **D24/155**

(58) **Field of Classification Search** D24/155,
D24/133, 156, 180, 176; 606/304, 74, 72,
606/259, 294, 329, 255, 261, 278, 276, 301,
606/254, 264, 279, 305, 207, 330, 60, 308,
606/328, 258, 248, 246, 267; 623/17.11;
411/385

See application file for complete search history.

(56) **References Cited**

U.S. PATENT DOCUMENTS

- 3,019,504 A * 2/1962 Castagliuolo
- 4,269,178 A * 5/1981 Keene 606/276
- D261,935 S * 11/1981 Halloran D24/155
- 4,409,968 A * 10/1983 Drummond 606/86 A
- 4,411,259 A * 10/1983 Drummond 606/86 A
- 4,422,451 A * 12/1983 Kalamchi 606/276
- D279,502 S * 7/1985 Halloran D24/155
- D279,503 S * 7/1985 Halloran D24/155
- 4,648,388 A * 3/1987 Steffee
- 4,658,809 A * 4/1987 Ulrich et al.
- 4,763,644 A * 8/1988 Webb et al.
- 4,836,196 A * 6/1989 Park et al.
- 4,854,304 A * 8/1989 Zielke
- 4,931,055 A * 6/1990 Bumpus et al.
- 5,010,879 A * 4/1991 Moriya et al.
- 5,034,013 A * 7/1991 Kyle et al. 606/62
- 5,042,982 A * 8/1991 Harms et al.
- 5,047,029 A * 9/1991 Aebi et al.
- 5,116,334 A * 5/1992 Cozad et al.

- 5,129,388 A * 7/1992 Vignaud et al.
- 5,176,678 A * 1/1993 Tsou
- 5,176,679 A * 1/1993 Lin
- 5,176,680 A * 1/1993 Vignaud et al.
- 5,196,013 A * 3/1993 Harms et al.
- D341,884 S * 11/1993 Cohen et al. D24/133
- D346,217 S * 4/1994 Sparker et al. D24/133
- 5,312,405 A * 5/1994 Korotko et al.
- 5,330,473 A * 7/1994 Howland

(Continued)

FOREIGN PATENT DOCUMENTS

EP 0878170 11/1998

(Continued)

Primary Examiner — Mark Goodwin

(74) *Attorney, Agent, or Firm* — Middleton Reutlinger;
Robert H. Eichenberger; Eric L. Killmeier

(57) **CLAIM**

The ornamental design for a hex rod for spinal surgery, as shown and described.

DESCRIPTION

FIG. 1 is a top perspective view of the hex rod for spinal surgery of the present invention.

FIG. 2 is a top view of the hex rod for spinal surgery of FIG. 1.

FIG. 3 is a right side elevation view of the hex rod for spinal surgery of FIG. 1.

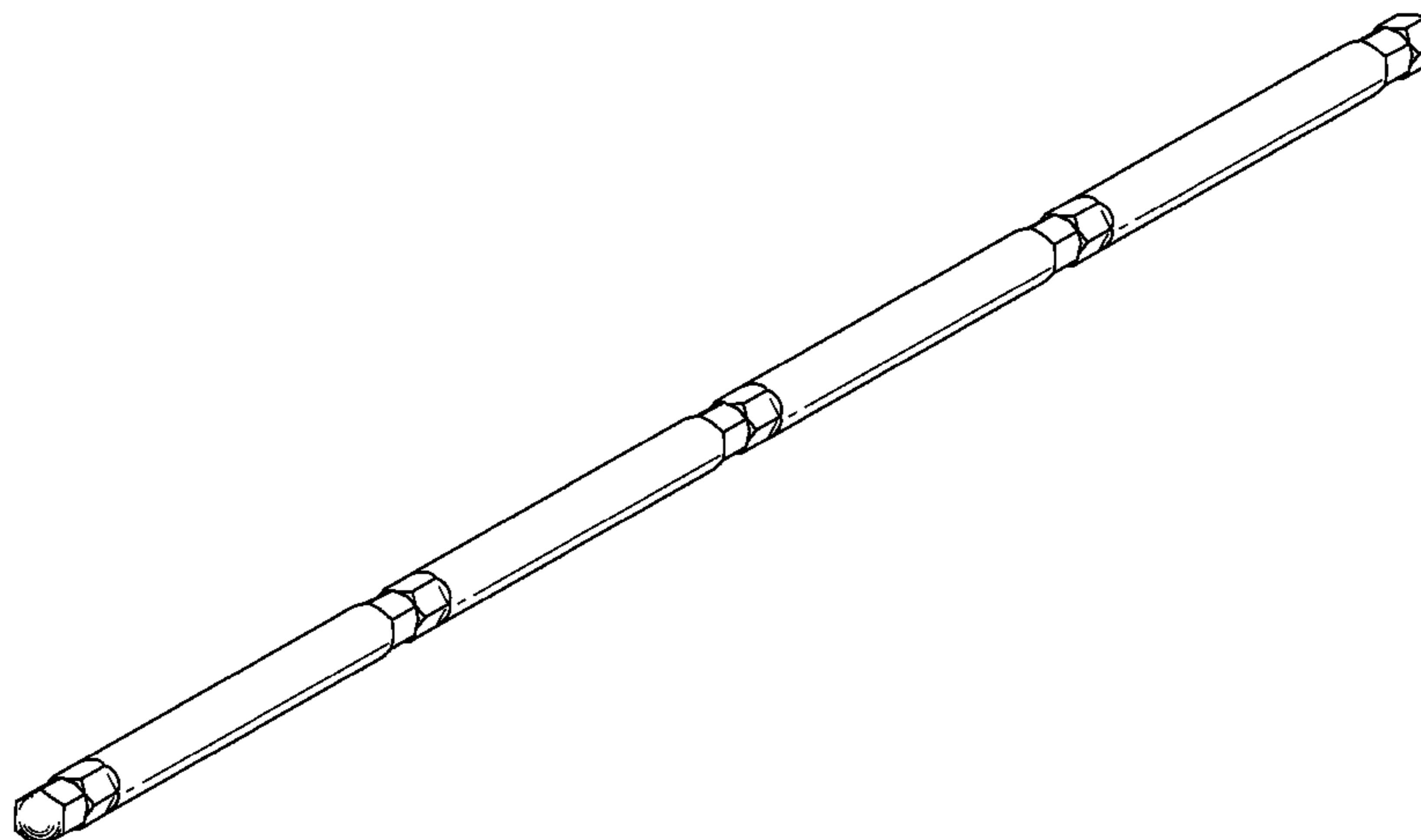
FIG. 4 is a bottom view of the hex rod for spinal surgery of FIG. 1.

FIG. 5 is a left side elevation view of the hex rod for spinal surgery of FIG. 1.

FIG. 6 is an enlarged first end elevational view of the hex rod for spinal surgery of FIG. 1; and,

FIG. 7 is an enlarged second end elevational view of the hex rod for spinal surgery of FIG. 1.

1 Claim, 4 Drawing Sheets



US D642,268 S

Page 2

U.S. PATENT DOCUMENTS

5,382,248 A * 1/1995 Jacobson et al.
5,385,583 A * 1/1995 Cotrel
5,387,212 A * 2/1995 Yuan et al.
5,429,639 A * 7/1995 Judet
5,470,333 A * 11/1995 Ray
5,499,983 A * 3/1996 Hughes
5,601,552 A * 2/1997 Cotrel
5,603,714 A * 2/1997 Kanada et al.
D378,314 S * 3/1997 Koros et al. D24/155
5,662,652 A * 9/1997 Schafer et al.
6,264,658 B1 * 7/2001 Lee et al.
6,783,526 B1 * 8/2004 Lin et al.
D566,277 S * 4/2008 Barry D24/155
D900,717 * 10/2008 Feaster
7,641,673 B2 * 1/2010 Le Couedic et al. 606/259
D618,348 S * 6/2010 Krishna et al. D24/155
D618,349 S * 6/2010 Krishna et al. D24/155
D622,395 S * 8/2010 Iott et al. D24/171
D623,746 S * 9/2010 Laskowitz et al. D24/155
2005/0187549 A1 * 8/2005 Jackson 606/61
2006/0229607 A1 * 10/2006 Brumfield 606/61
2007/0093813 A1 * 4/2007 Callahan et al. 606/61

2007/0233250 A1 * 10/2007 Shadduck 623/17.11
2008/0091214 A1 * 4/2008 Richelsoph 606/103
2008/0183214 A1 * 7/2008 Copp et al. 606/265
2008/0234691 A1 * 9/2008 Schwab 606/100
2009/0062859 A1 * 3/2009 Mahoney et al. 606/278
2009/0105774 A1 * 4/2009 Jones et al. 606/86 A
2009/0287251 A1 * 11/2009 Bae et al. 606/254
2009/0306722 A1 * 12/2009 Lewis et al. 606/276
2009/0326582 A1 * 12/2009 Songer et al. 606/255
2010/0036423 A1 * 2/2010 Hayes et al. 606/260
2010/0042154 A1 * 2/2010 Biedermann et al. 606/254
2010/0042156 A1 * 2/2010 Harms et al. 606/254
2010/0042157 A1 * 2/2010 Trieu 606/255
2010/0057139 A1 * 3/2010 Zucherman et al. 606/308
2010/0057140 A1 * 3/2010 Zucherman et al. 606/308
2011/0004249 A1 * 1/2011 Wu et al. 606/254
2011/0060367 A1 * 3/2011 Stauber 606/250

FOREIGN PATENT DOCUMENTS

EP 1297792 4/2003
GB 2051581 6/1980

* cited by examiner

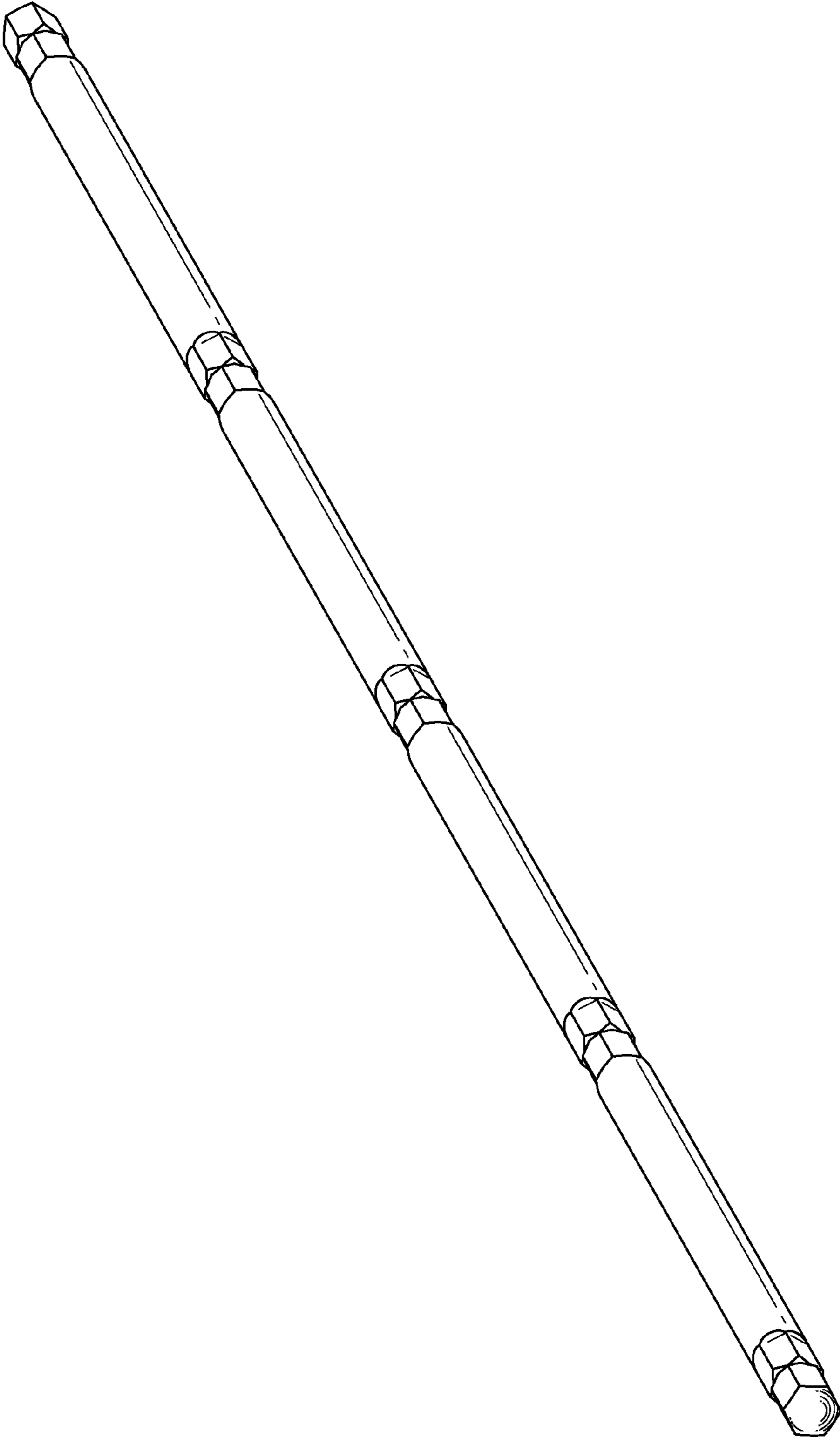


FIG. 1



FIG. 2



FIG. 3



FIG. 4



FIG. 5

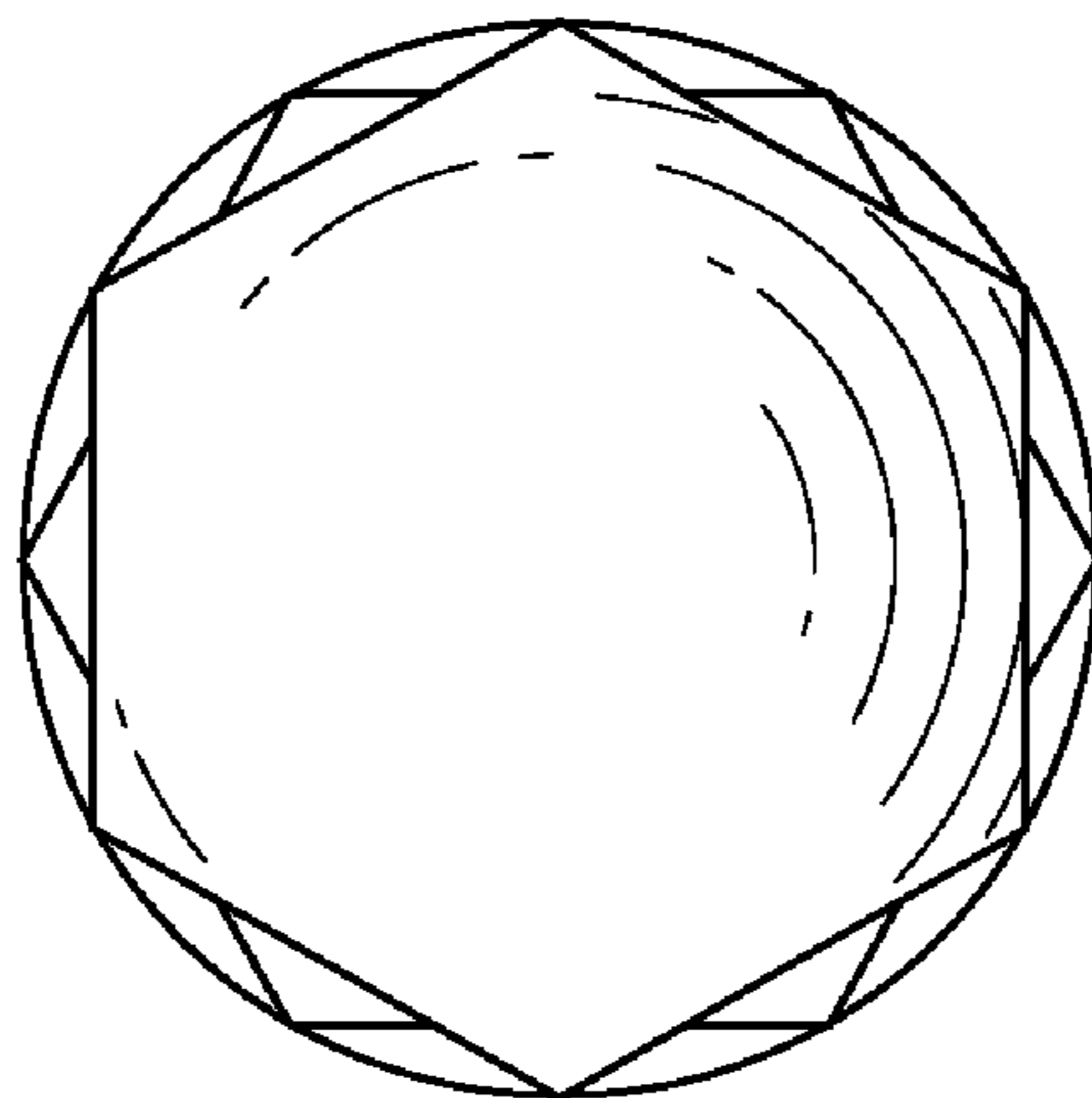


FIG. 7

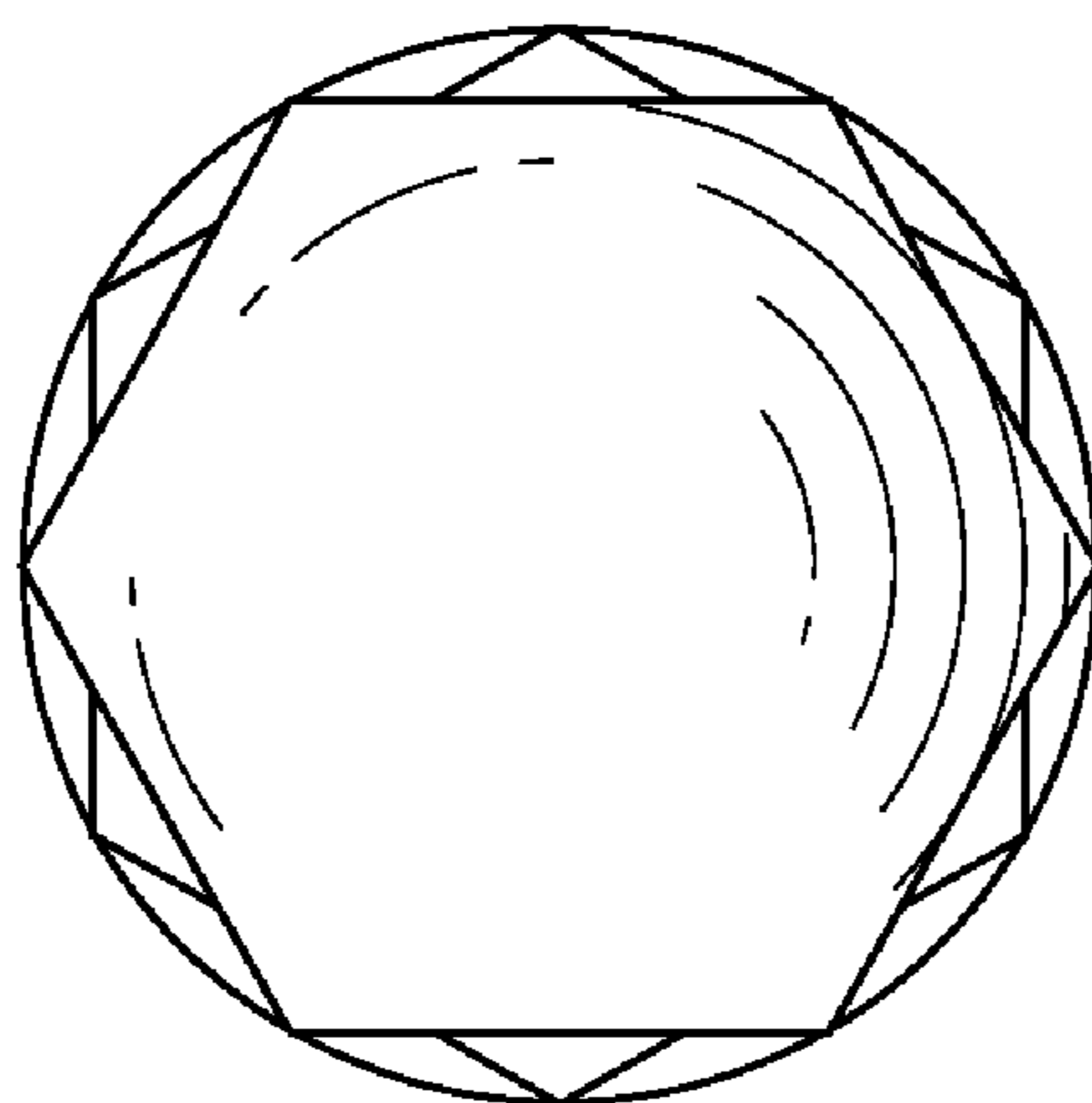


FIG. 6