

US00D642266S

(12) **United States Design Patent**
Marsteller et al.

(10) **Patent No.:** **US D642,266 S**

(45) **Date of Patent:** **** Jul. 26, 2011**

(54) **BRACHYTHERAPY DEVICE**

(76) Inventors: **Laurence J. Marsteller**, Tucson, AZ
(US); **Michael Voevodsky**, Tucson, AZ
(US); **Luca Brigatti**, Rockville, MD
(US); **Russell J. Hamilton**, Tucson, AZ
(US)

(**) Term: **14 Years**

(21) Appl. No.: **29/368,499**

(22) Filed: **Aug. 24, 2010**

(51) **LOC (9) Cl.** **24-02**

(52) **U.S. Cl.** **D24/150**

(58) **Field of Classification Search** D24/150,
D24/112, 144, 133, 145, 147; 600/1-8; 606/161,
606/166

See application file for complete search history.

(56) **References Cited**

U.S. PATENT DOCUMENTS

2,309,302	A	1/1943	Butler et al.	
2,559,793	A	7/1951	Pregel	
D183,820	S *	10/1958	Yohe	D24/112
3,169,527	A	2/1965	Sheridan	
3,662,882	A	5/1972	Obermayer	
D235,171	S	5/1975	Boone	
D235,172	S	5/1975	Boone	
D236,920	S	9/1975	Sheridan	
4,300,557	A	11/1981	Refojo et al.	
D272,089	S	1/1984	Glassman	
4,925,450	A	5/1990	Imonti et al.	
5,127,831	A *	7/1992	Bab	433/80
5,167,647	A	12/1992	Wijkamp et al.	
5,199,939	A	4/1993	Dake et al.	
D340,111	S	10/1993	Yoshikawa	
D345,417	S	3/1994	Sharipov	
D347,473	S *	5/1994	Nitzsche	D24/112
5,637,073	A	6/1997	Freire	
D390,656	S	2/1998	Linder	
5,947,891	A *	9/1999	Morrison	600/6
6,053,900	A	4/2000	Brown et al.	
D428,140	S	7/2000	Swan	
6,135,984	A	10/2000	Dishler	

6,183,410	B1	2/2001	Jacobsen et al.	
6,183,435	B1 *	2/2001	Bumbalough et al.	604/95.01
6,302,839	B1 *	10/2001	Chernomorsky et al.	600/4
6,413,245	B1	7/2002	Yaacobi et al.	
6,443,881	B1	9/2002	Finger	
6,450,938	B1 *	9/2002	Miller	600/7
6,641,518	B2 *	11/2003	Wolfson et al.	600/6
6,749,553	B2	6/2004	Brauckman et al.	
D492,778	S	7/2004	Narini	
6,918,894	B2	7/2005	Fleury et al.	
6,958,055	B2	10/2005	Donnan et al.	
6,964,653	B2	11/2005	Negron	
7,070,556	B2	7/2006	Anderson et al.	
7,153,316	B1	12/2006	McDonald	
D534,650	S *	1/2007	Inman et al.	D24/133
D543,626	S	5/2007	Watschke et al.	
7,273,445	B2	9/2007	Pulido et al.	
D553,738	S *	10/2007	Simonson	D24/133

(Continued)

FOREIGN PATENT DOCUMENTS

AU 323700 S 1/2009

(Continued)

Primary Examiner — Ian Simmons

Assistant Examiner — Carissa C Fitts

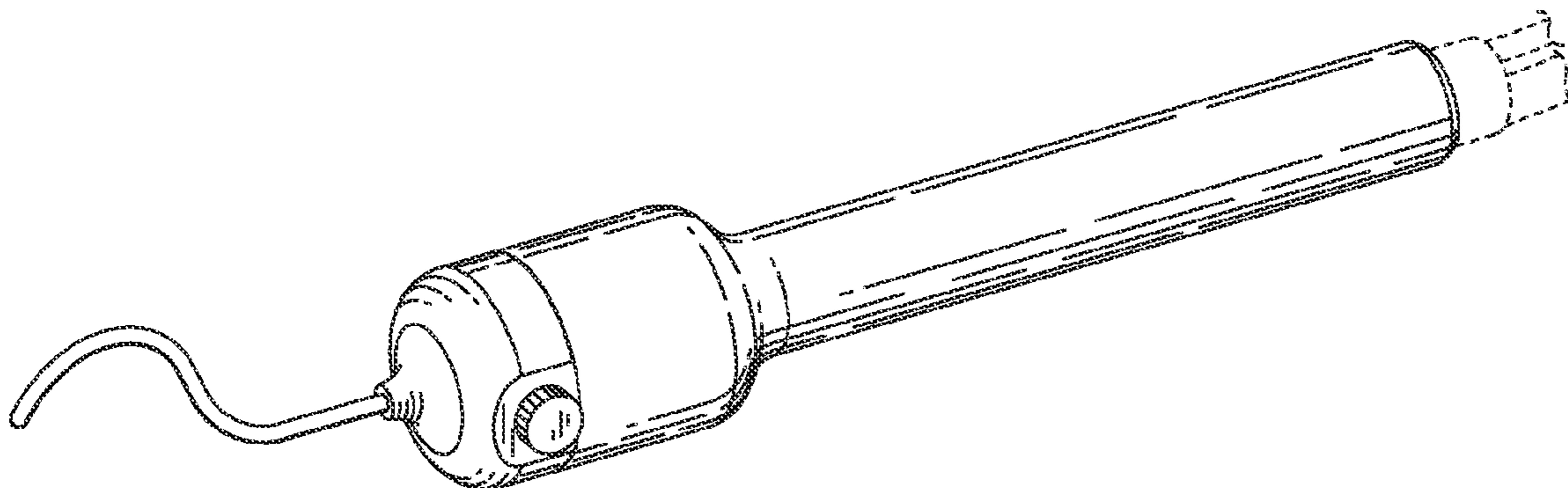
(57) **CLAIM**

The ornamental design for a brachytherapy device, as shown and described.

DESCRIPTION

FIG. 1 is a perspective view of a brachytherapy device showing my new design;
FIG. 2 is a top view thereof;
FIG. 3 is a side view (opposite side view is mirror image) thereof;
FIG. 4 is a bottom view thereof;
FIG. 5 is a front view thereof; and,
FIG. 6 is a back view thereof.
The broken line showing is for environmental purposes only and forms no part of the claimed design.

1 Claim, 2 Drawing Sheets



US D642,266 S

Page 2

U.S. PATENT DOCUMENTS

7,351,193 B2 4/2008 Forman et al.
7,357,770 B1* 4/2008 Cutrer et al. 600/3
D575,396 S 8/2008 Wu
7,547,323 B2 6/2009 Lavigne
7,563,222 B2 7/2009 Laresen et al.
D615,645 S* 5/2010 Brigatti et al. D24/112
D616,087 S* 5/2010 Brigatti et al. D24/112
D616,088 S* 5/2010 Brigatti et al. D24/112
D616,540 S* 5/2010 Brigatti et al. D24/112
7,803,102 B2* 9/2010 Larsen et al. 600/3
2001/0008950 A1* 7/2001 Vitali et al. 600/7
2002/0065448 A1 5/2002 Bradshaw et al.
2002/0077687 A1 6/2002 Ahn
2004/0077919 A1* 4/2004 Drobnik et al. 600/3

2004/0138515 A1 7/2004 White et al.
2006/0223026 A1 10/2006 Kuroiwa et al.
2007/0055089 A1* 3/2007 Larsen et al. 600/1
2007/0219546 A1 9/2007 Mody et al.
2008/0161762 A1 7/2008 Stehr et al.
2008/0214887 A1 9/2008 Heanue et al.
2008/0281142 A1 11/2008 Lubock et al.
2010/0004499 A1 1/2010 Brigatti et al.
2010/0004581 A1 1/2010 Brigatti et al.

FOREIGN PATENT DOCUMENTS

AU 323701 S 1/2009
AU 323703 S 1/2009
AU 323704 S 1/2009

* cited by examiner

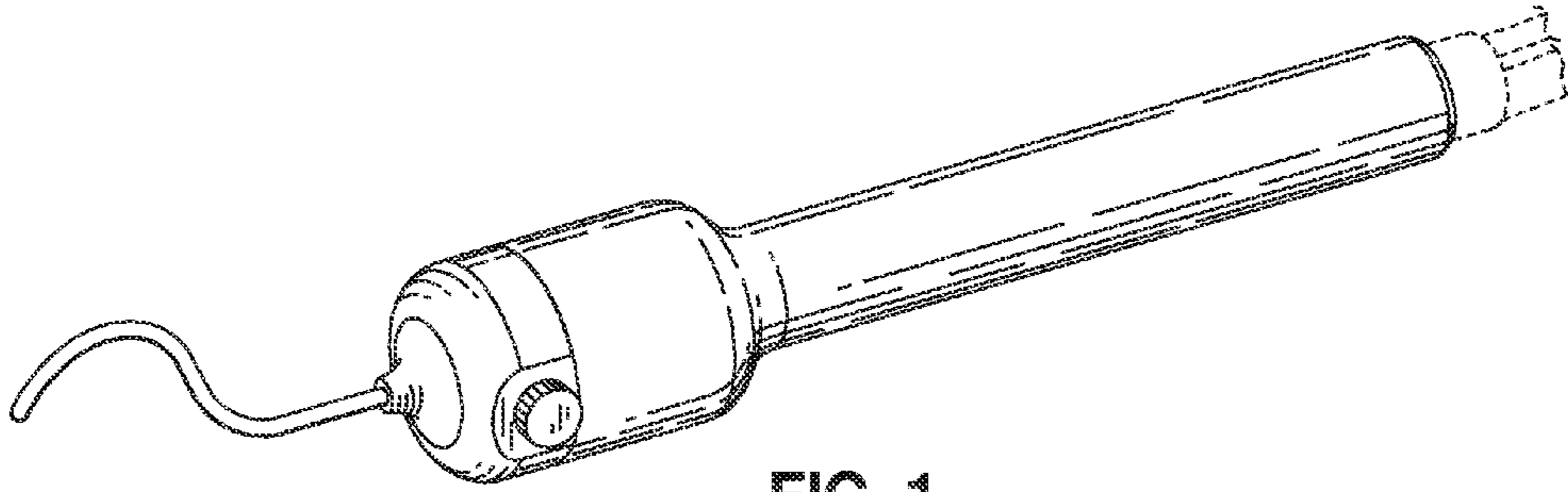


FIG. 1

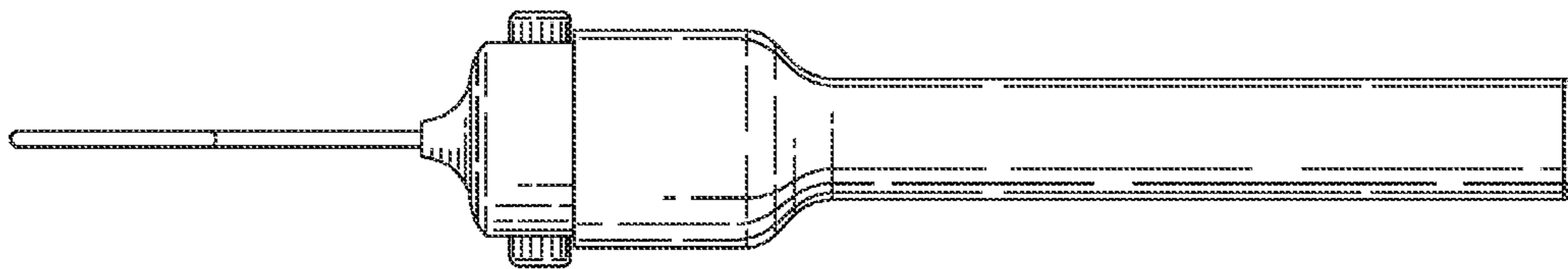


FIG. 2

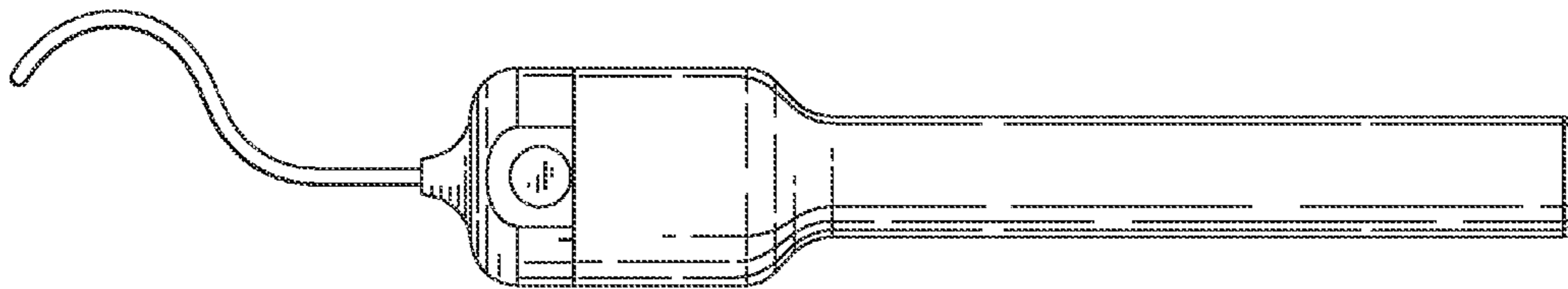


FIG. 3

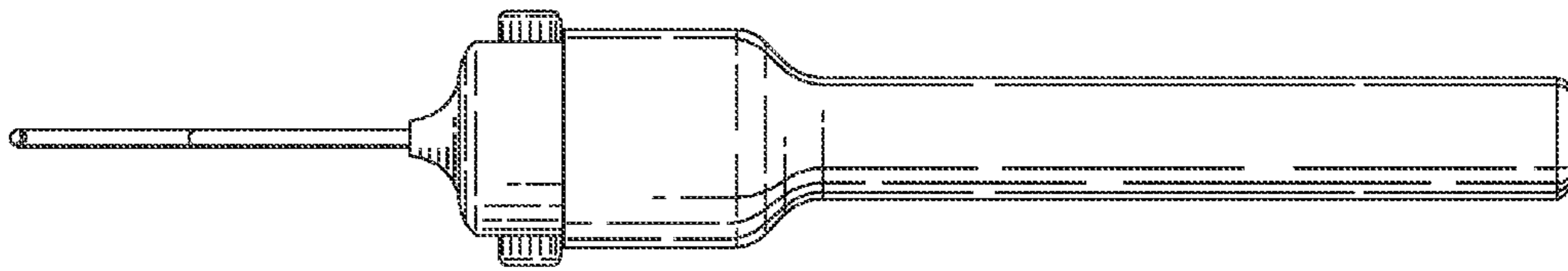


FIG. 4

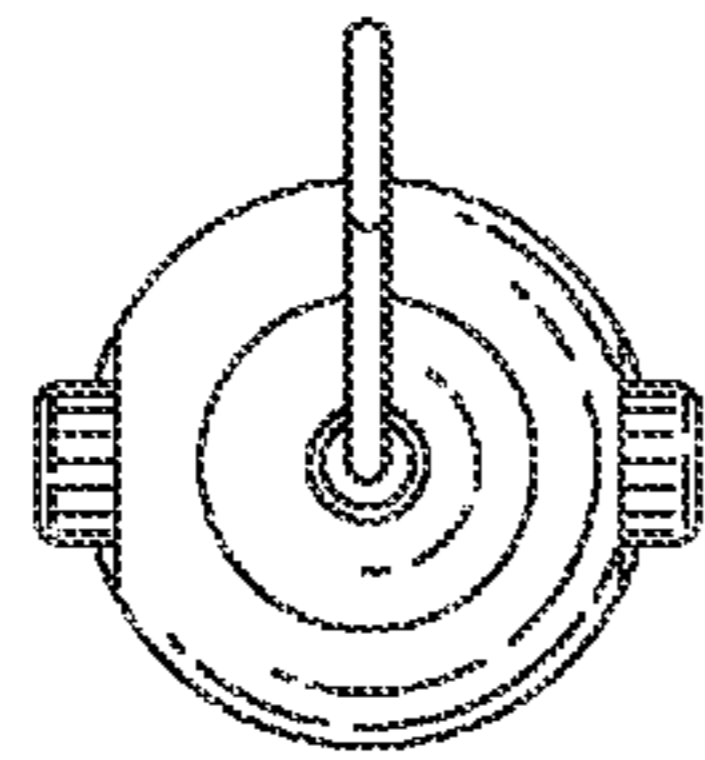


FIG. 5

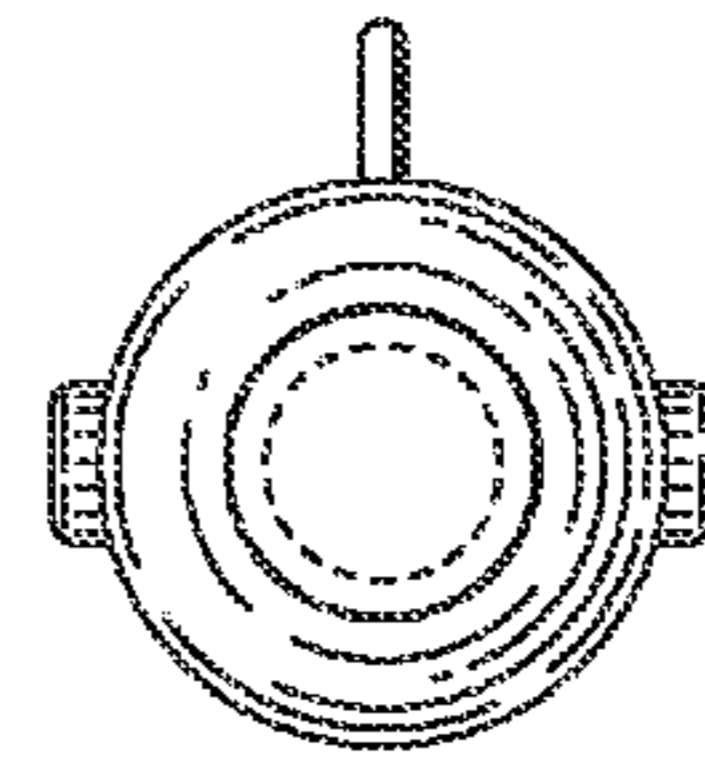


FIG. 6