

US00D642261S

(12) **United States Design Patent**
York et al.

(10) **Patent No.:** **US D642,261 S**

(45) **Date of Patent:** **** Jul. 26, 2011**

(54) **SECURING DEVICE FOR CANNULA ATTACHMENT TO SYRINGE BODY**

(75) Inventors: **Walter A. York**, Mission Viejo, CA (US); **Dan Schabacker**, Escondido, CA (US); **Kenneth E. Kadziauskas**, Coto de Caza, CA (US); **Joseph Tsai**, Foothill Ranch, CA (US); **David A. Ruddocks**, Mission Viejo, CA (US); **Giuseppe Sacca**, Laguna Niguel, CA (US)

(73) Assignee: **Abbott Medical Optics Inc.**, Santa Ana, CA (US)

(**) Term: **14 Years**

(21) Appl. No.: **29/369,936**

(22) Filed: **Sep. 15, 2010**

(51) **LOC (9) Cl.** **24-02**

(52) **U.S. Cl.** **D24/130**

(58) **Field of Classification Search** D24/130, D24/112; 604/220, 231, 232, 187, 218, 195, 604/227

See application file for complete search history.

(56) **References Cited**

U.S. PATENT DOCUMENTS

2,956,563	A *	10/1960	Sarnoff	604/232
3,076,455	A *	2/1963	McConnaughey et al.	...	604/232
4,643,724	A *	2/1987	Jobe	604/232
4,931,040	A *	6/1990	Haber et al.	604/110
5,300,038	A *	4/1994	Haber et al.	604/187
5,350,367	A *	9/1994	Stiehl et al.	604/232

5,368,578	A *	11/1994	Covington et al.	604/232
5,667,495	A *	9/1997	Bitdinger et al.	604/220
5,700,247	A *	12/1997	Grimard et al.	604/220
5,891,104	A *	4/1999	Shonfeld et al.	604/195
6,036,675	A *	3/2000	Thorne et al.	604/232
D594,118	S *	6/2009	Bergstraesser et al.	D24/133
2002/0198499	A1 *	12/2002	Hu	604/218
2004/0116863	A1 *	6/2004	Yang et al.	604/164.01

* cited by examiner

Primary Examiner — T. Chase Nelson

Assistant Examiner — Eric Goodman

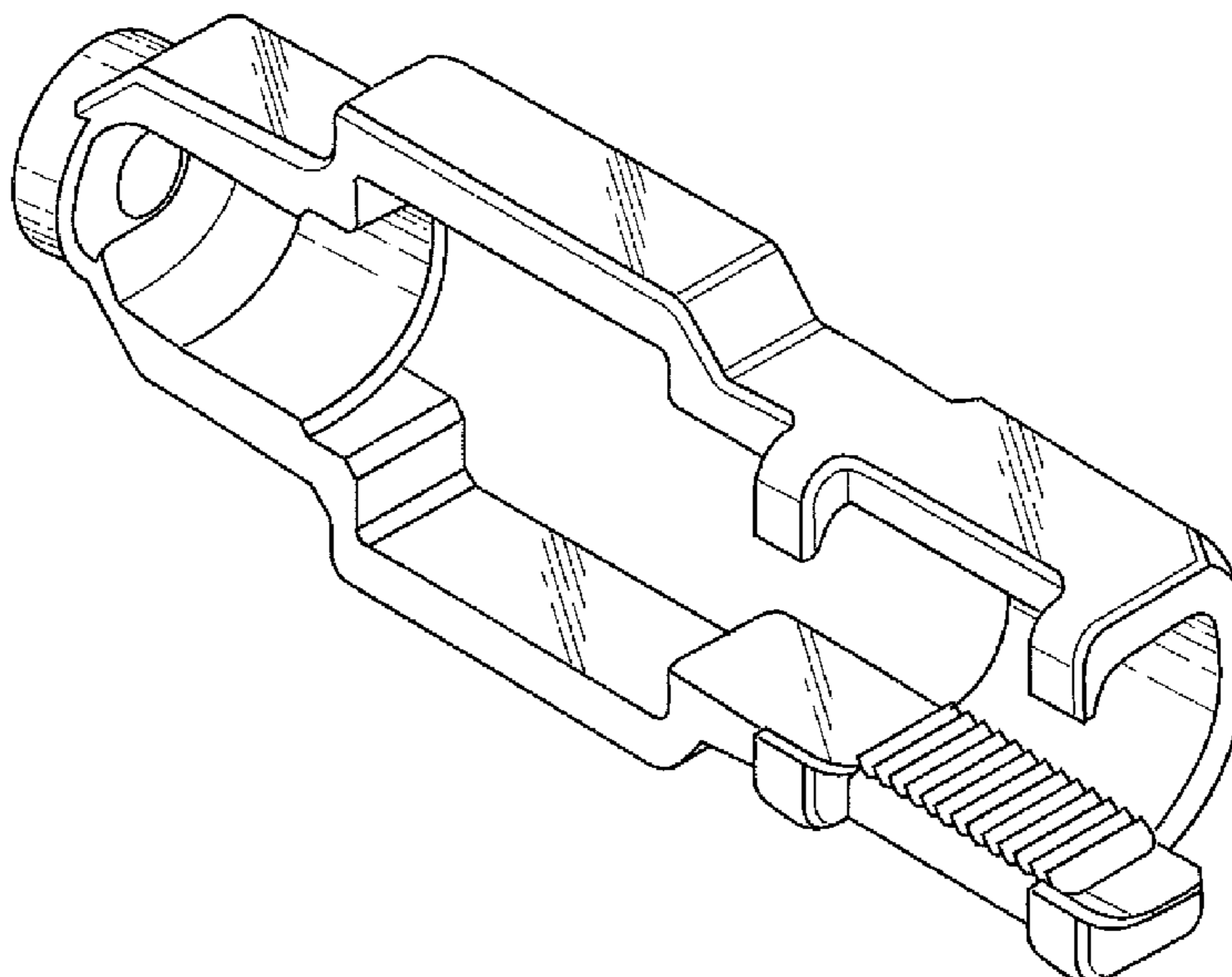
(57) **CLAIM**

We claim the ornamental design for a securing device for cannula attachment to syringe body, substantially as shown and described.

DESCRIPTION

FIG. 1 is a perspective view of a cannula securing device showing my new design; FIG. 2 is a bottom perspective view thereof; FIG. 3 is a top perspective view thereof; FIG. 4 is a side view thereof; FIG. 5 is a side view thereof; FIG. 6 is a front view thereof; FIG. 7 is a back view thereof; and, FIG. 8 provides a perspective view of the cannula securing device of FIG. 1 as it would be placed on a syringe. The broken line showing a syringe in FIG. 8, and the cannula extending from the syringe, is for the purpose of illustrating the environment of the cannula securing device and form no part of the claimed design.

1 Claim, 6 Drawing Sheets



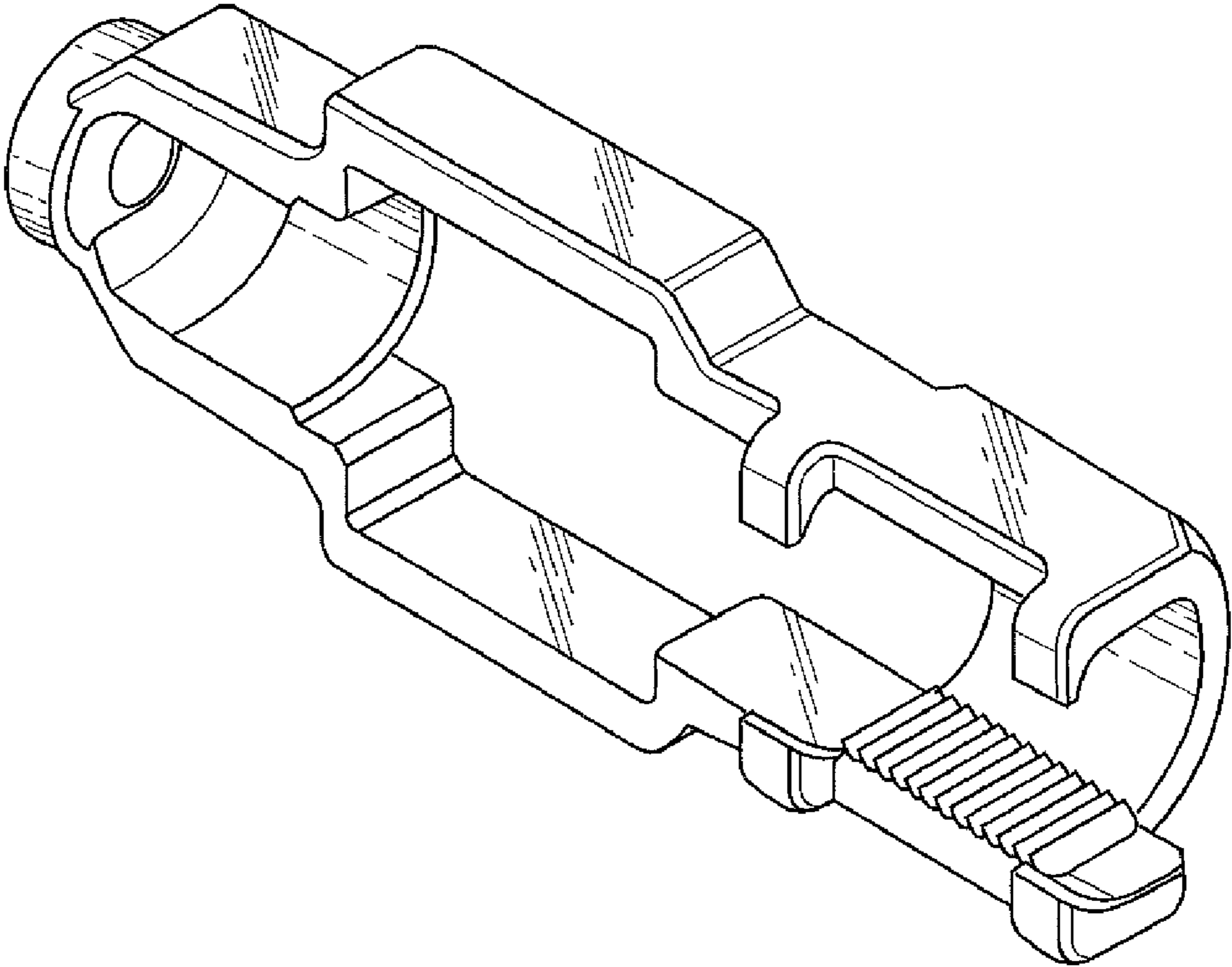


Fig. 1

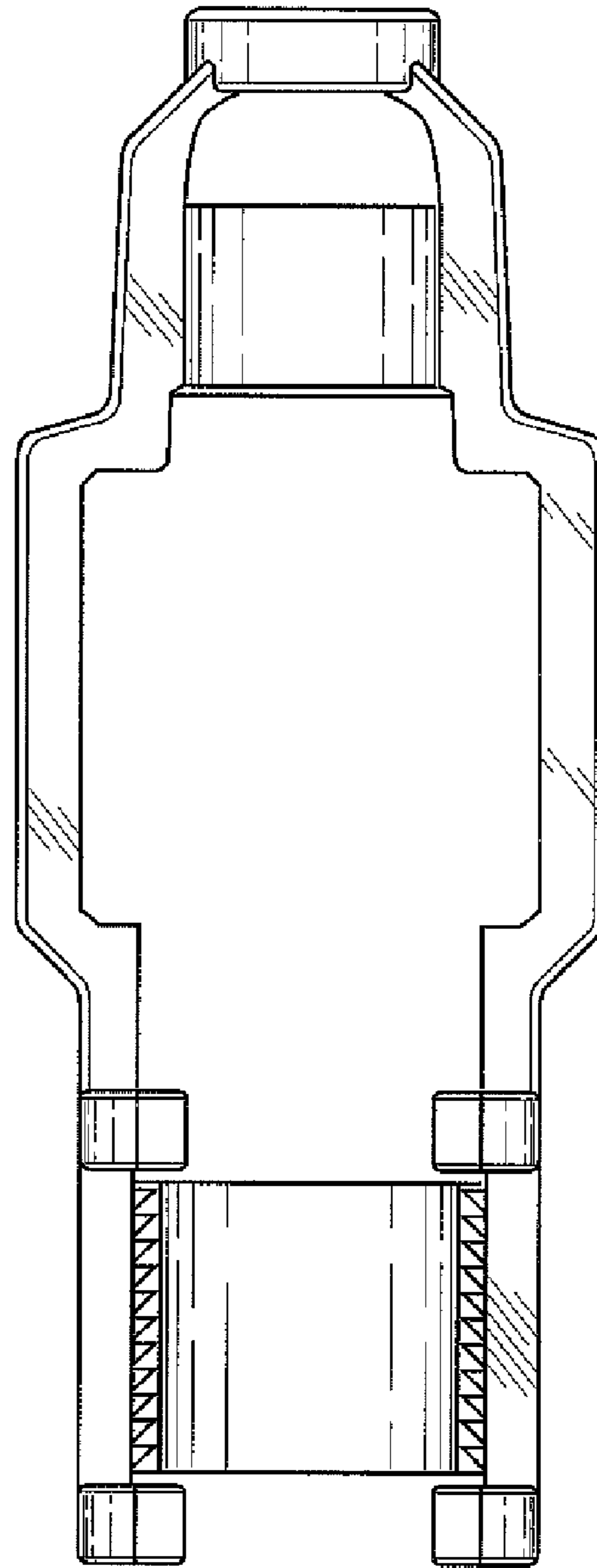


Fig. 2

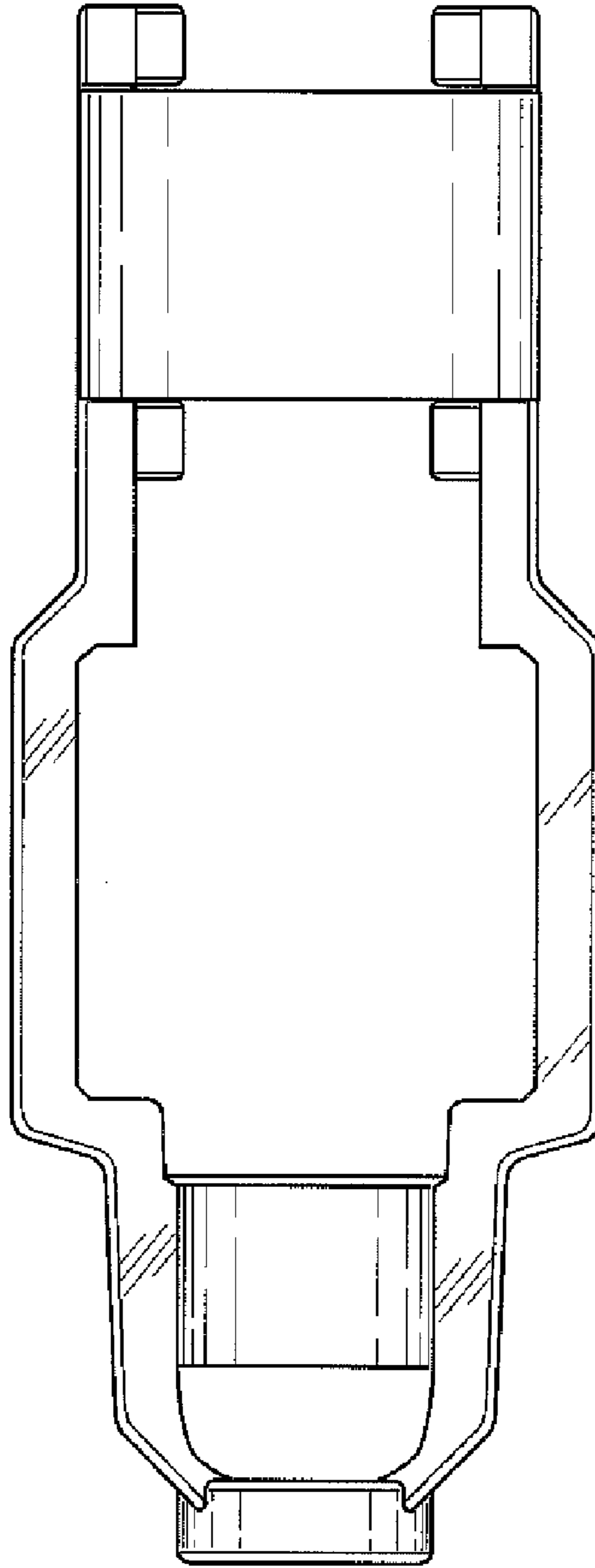


Fig. 3

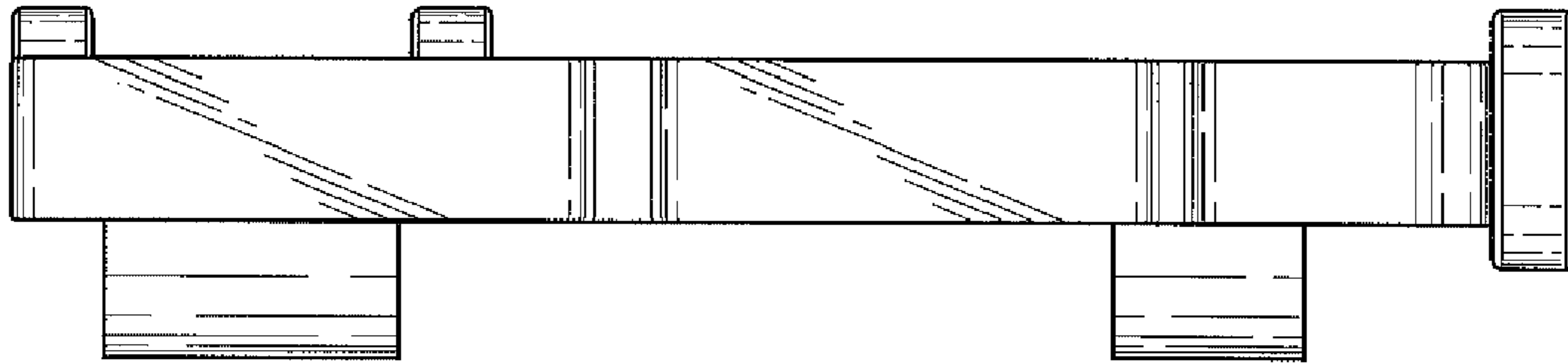


Fig. 4

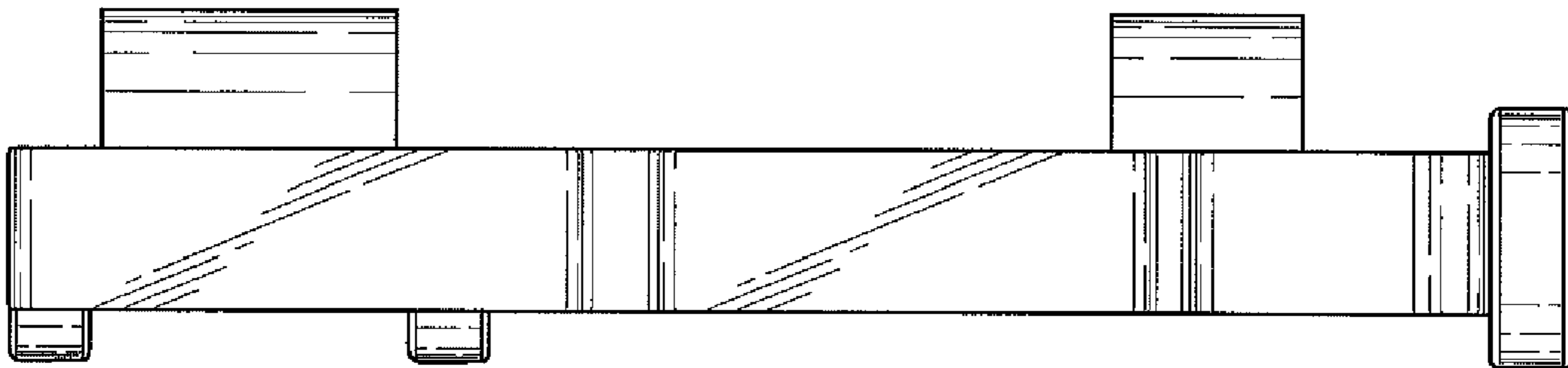


Fig. 5

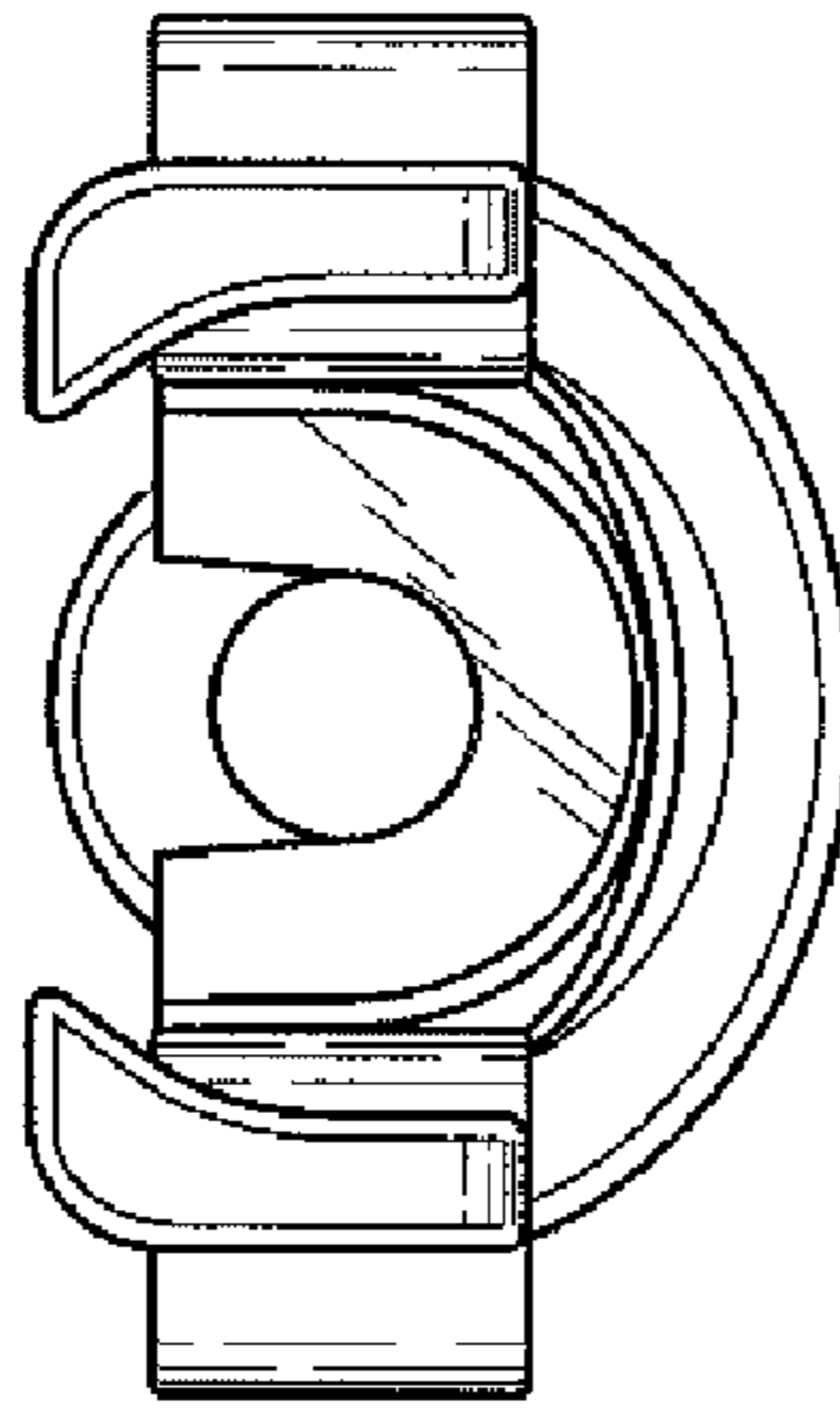


Fig. 6

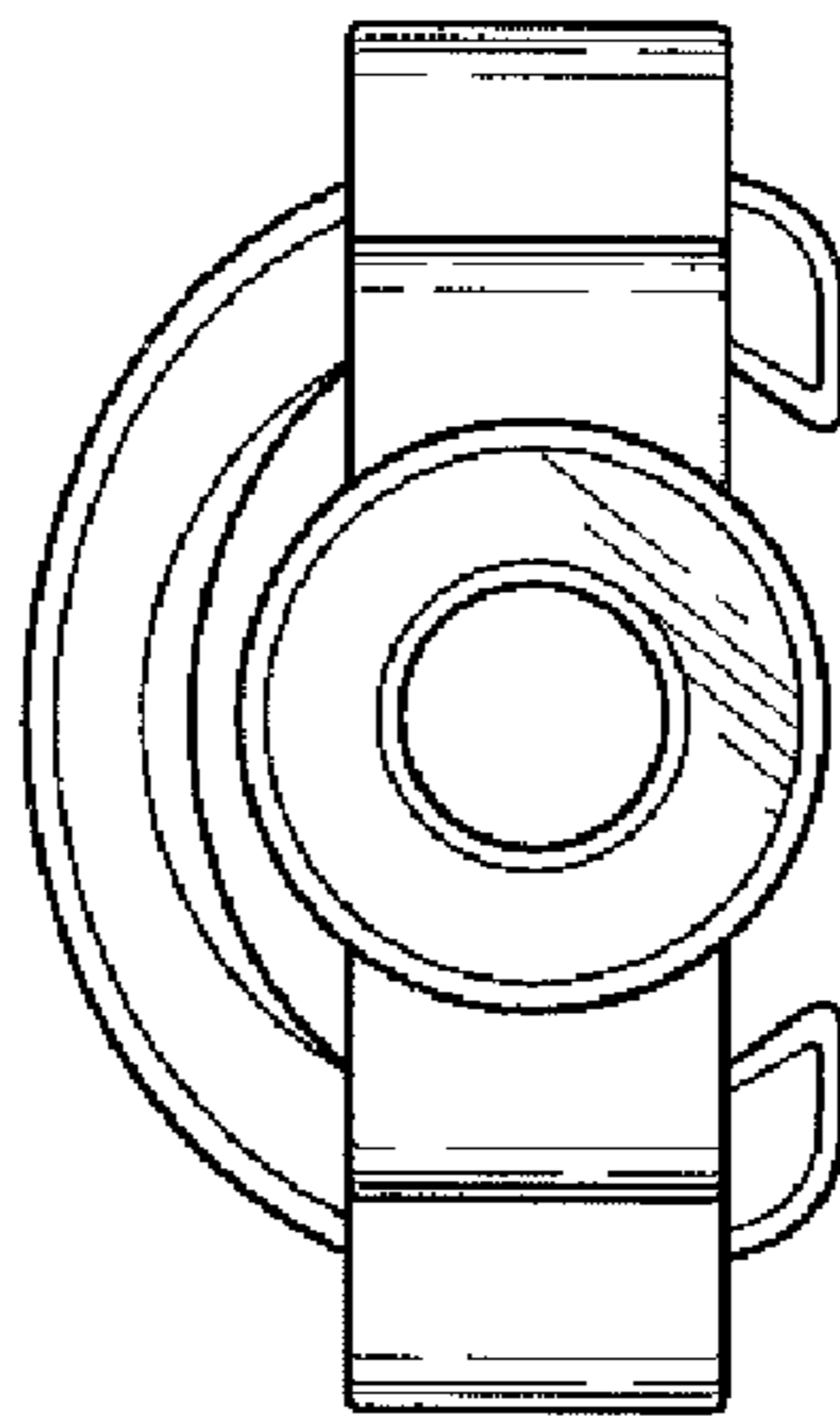


Fig. 7

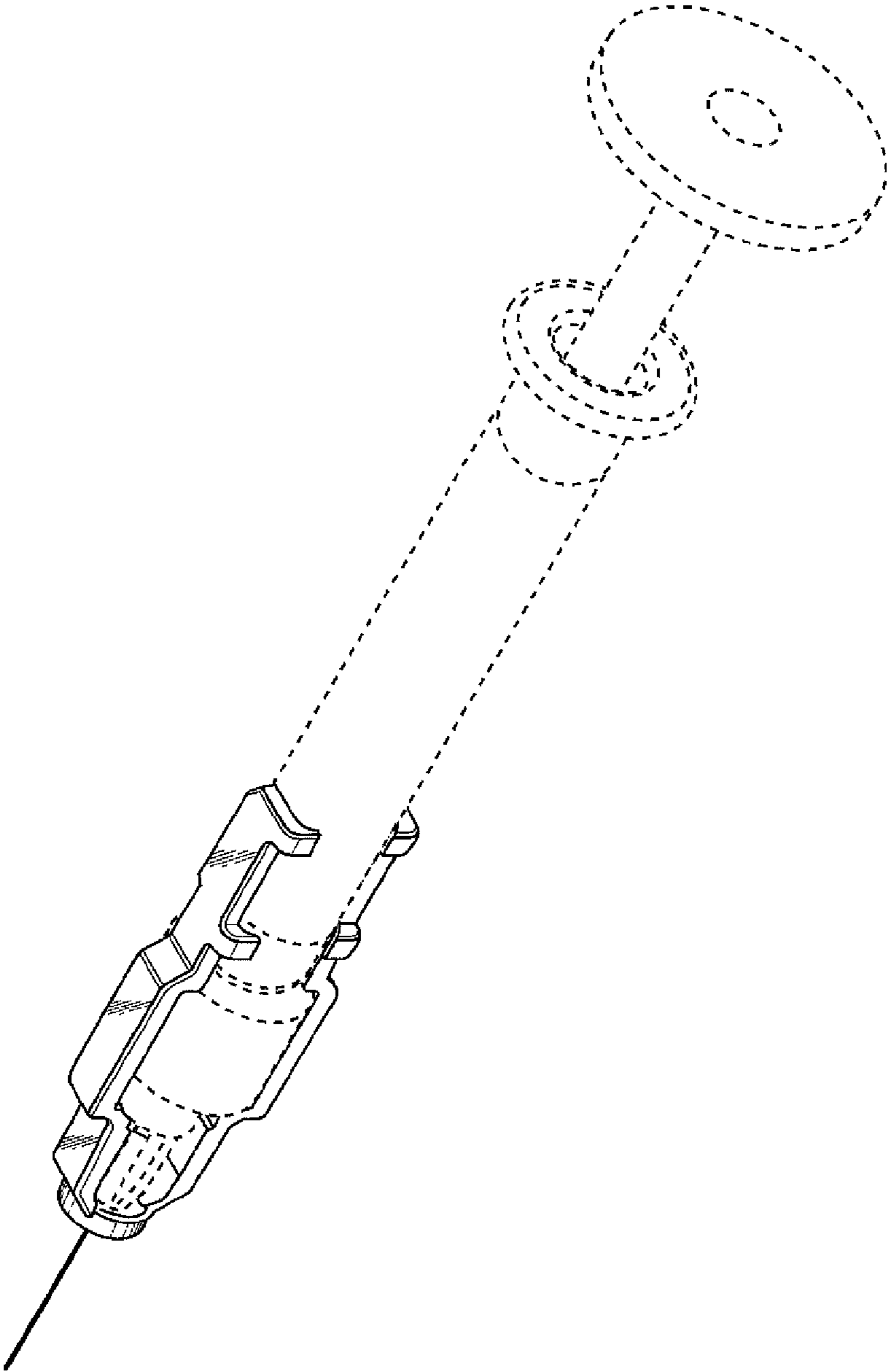


Fig. 8