

US00D642260S

(12) **United States Design Patent**  
**Hendricks**

(10) **Patent No.:** **US D642,260 S**

(45) **Date of Patent:** **\*\* Jul. 26, 2011**

(54) **BOTTLE FOR DELIVERING NUTRIENTS TO AN ENTERAL FEEDING TUBE**

(76) Inventor: **William Hendricks**, Highland, UT (US)

(\*\*) Term: **14 Years**

(21) Appl. No.: **29/359,697**

(22) Filed: **Apr. 14, 2010**

**Related U.S. Application Data**

(63) Continuation of application No. 11/683,339, filed on Mar. 7, 2007.

(51) **LOC (9) Cl.** ..... **24-04**

(52) **U.S. Cl.** ..... **D24/121**

(58) **Field of Classification Search** ..... D24/121, D24/117, 108, 111, 224, 112; D9/732, 733, D9/738, 516; D7/589; D30/132, 121; 604/317, 604/319, 403; 222/650, 188, 461, 465.1  
See application file for complete search history.

(56) **References Cited**

**U.S. PATENT DOCUMENTS**

2,035,404	A	3/1936	Quinn	
2,525,745	A	10/1950	Wycoff	
3,153,415	A	10/1964	Sheridan	
3,635,367	A	1/1972	Morita et al.	
3,645,262	A	2/1972	Harrigan	
3,731,849	A	5/1973	Burrows	
3,744,658	A	7/1973	Fujio	
3,990,597	A	11/1976	Barton	
4,045,070	A	8/1977	Geisinger	
D258,689	S *	3/1981	Pagels	D24/117
4,282,980	A	8/1981	Winchell	
D268,722	S	4/1983	Bova	
D280,709	S *	9/1985	Waring	D24/117
4,713,064	A	12/1987	Bruno et al.	
4,784,641	A	11/1988	White	
4,886,504	A *	12/1989	Arvidson et al.	604/403
4,976,707	A	12/1990	Bodicky et al.	
4,994,076	A	2/1991	Guss	

D332,657	S *	1/1993	Bamford	D24/117
D340,518	S *	10/1993	Stahmer et al.	D24/121
5,267,983	A	12/1993	Oilschlager et al.	
D344,132	S *	2/1994	Schneberger et al.	D24/108
5,462,194	A	10/1995	Barnwell	
5,484,402	A *	1/1996	Saravia et al.	D24/112
D370,263	S *	5/1996	Falkenberg et al.	D24/224
5,741,243	A	4/1998	Geckle et al.	

(Continued)

**OTHER PUBLICATIONS**

Office Action from U.S. Appl. No. 11/683,339 dated Oct. 17, 2008 (18 pages).

(Continued)

*Primary Examiner* — David Muller

(74) *Attorney, Agent, or Firm* — Workman Nydegger

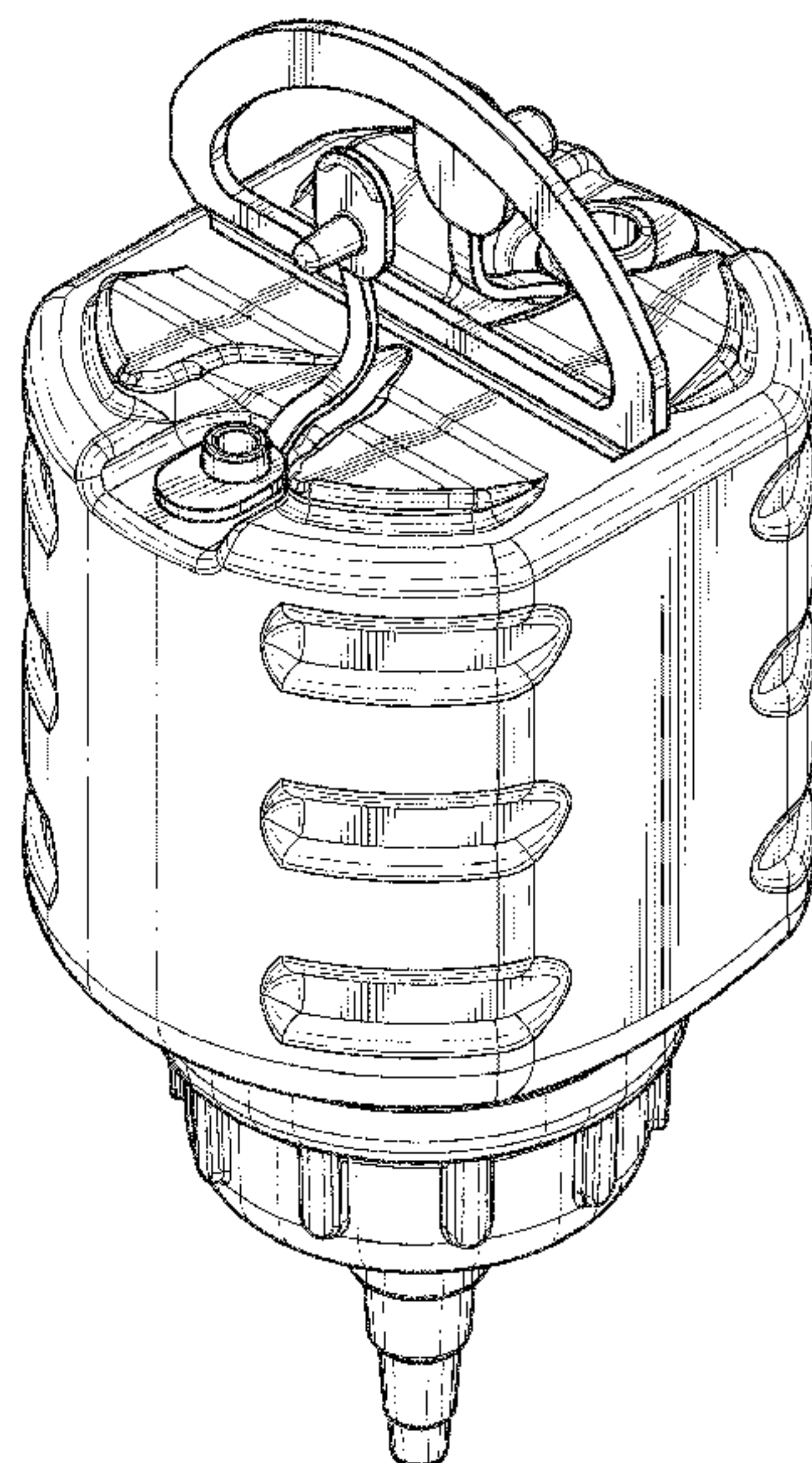
(57) **CLAIM**

The ornamental design for a bottle for delivering nutrients to an enteral feeding tube, as shown and described.

**DESCRIPTION**

FIG. 1 is a perspective view of a bottle for delivering nutrients of the present invention in an assembled state with the handle extended and the folding caps open; FIG. 2 is another perspective view thereof; FIG. 3 is a side elevation view thereof; FIG. 4 is a cross sectional view thereof taken along line 4—4 of FIG. 3; FIG. 5 is an exploded perspective view of the bottle of FIG. 1 with the handle folded and the folding caps closed; and, FIG. 6 is an exploded perspective view of the bottle of FIG. 1 with the handle folded and the folding caps open; The features shown in broken lines depict environmental subject matter only and form no part of the claimed design. The vertical broken lines between the exploded parts in FIGS. 5 and 6 show order of assembly.

**1 Claim, 4 Drawing Sheets**



# US D642,260 S

Page 2

---

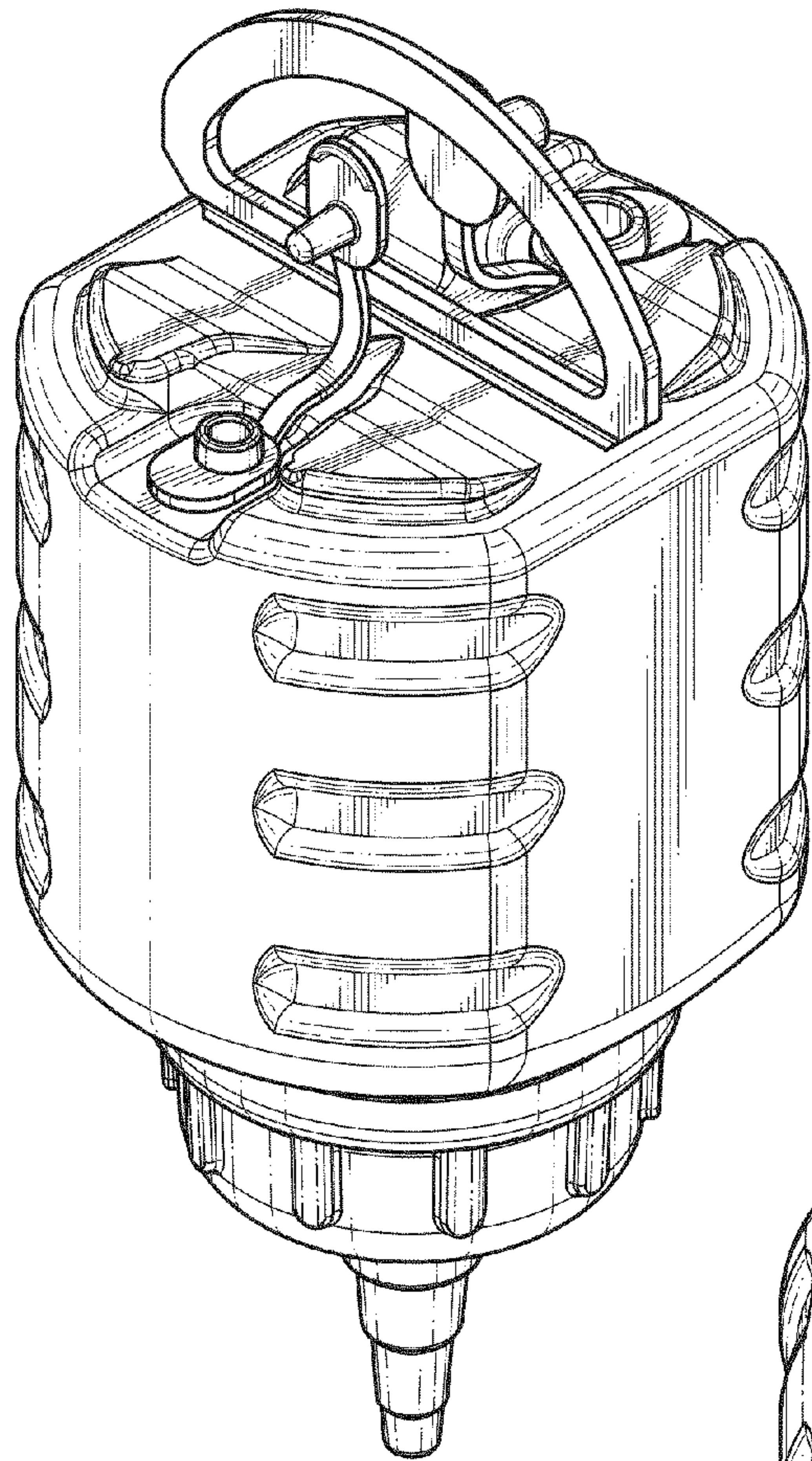
## U.S. PATENT DOCUMENTS

5,776,117 A 7/1998 Haselhorst et al.  
D397,216 S \* 8/1998 Armand ..... D24/117  
5,807,333 A 9/1998 Osborne et al.  
D427,306 S \* 6/2000 McCallister et al. .... D24/121  
6,732,888 B1 5/2004 Smiley et al.  
D588,692 S \* 3/2009 Rucinski ..... D24/121  
D589,803 S \* 4/2009 Sasaki et al. .... D9/516  
D599,012 S \* 8/2009 Falbaum et al. .... D24/121  
2003/0073971 A1 4/2003 Saker  
2004/0011760 A1 1/2004 Schupp et al.  
2004/0116891 A1 6/2004 Curutcharry  
2008/0103475 A1 5/2008 Hendricks

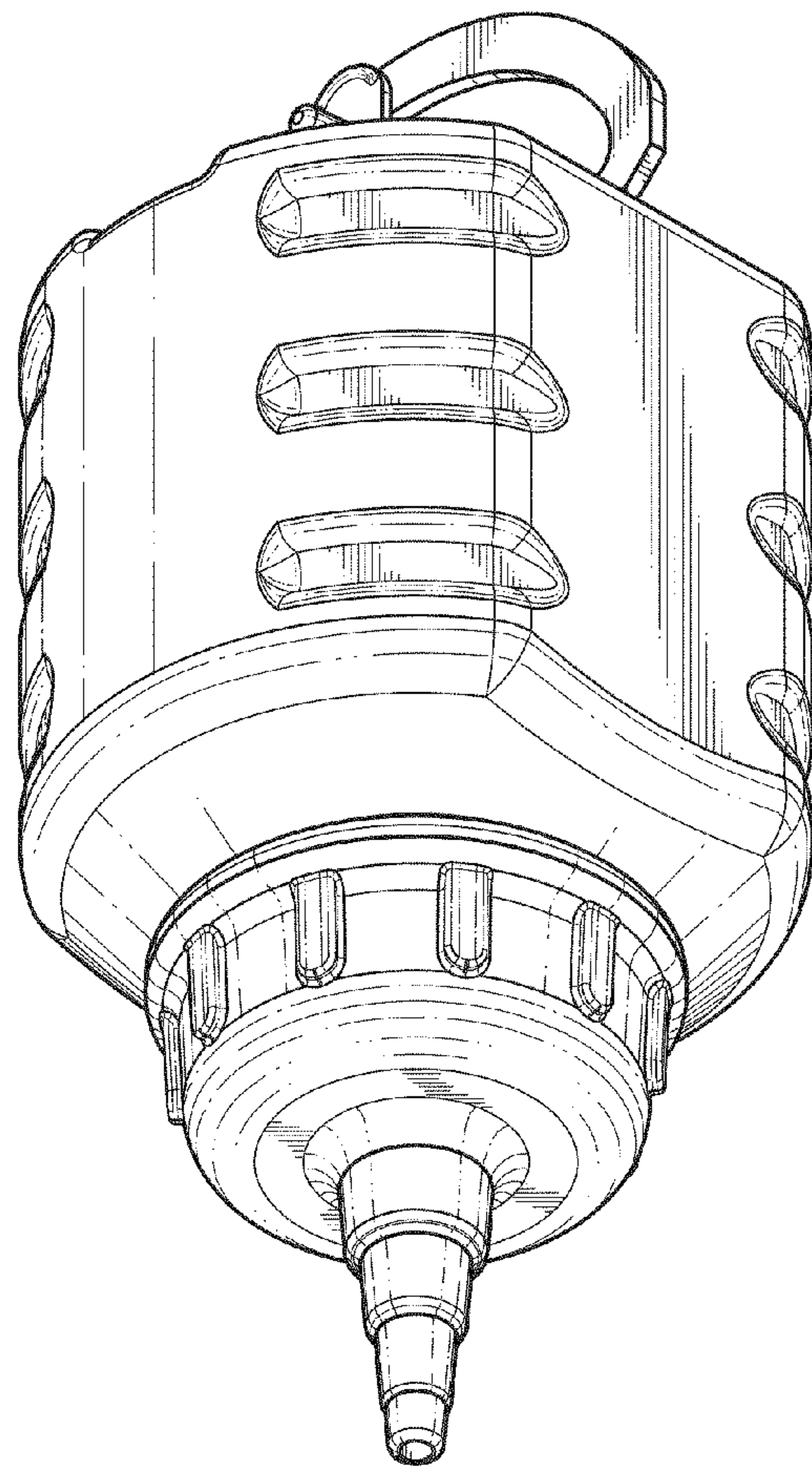
## OTHER PUBLICATIONS

Office Action from U.S. Appl. No. 11/683,339 dated May 26, 2009  
(19 pages).  
Office Action from U.S. Appl. No. 11/683,339 dated Nov. 10, 2009  
(20 pages).  
Notice of Allowance from U.S. Appl. No. 11/683,339 dated Aug. 23,  
2010 (6 pages).

\* cited by examiner



**FIG. 1**



**FIG. 2**



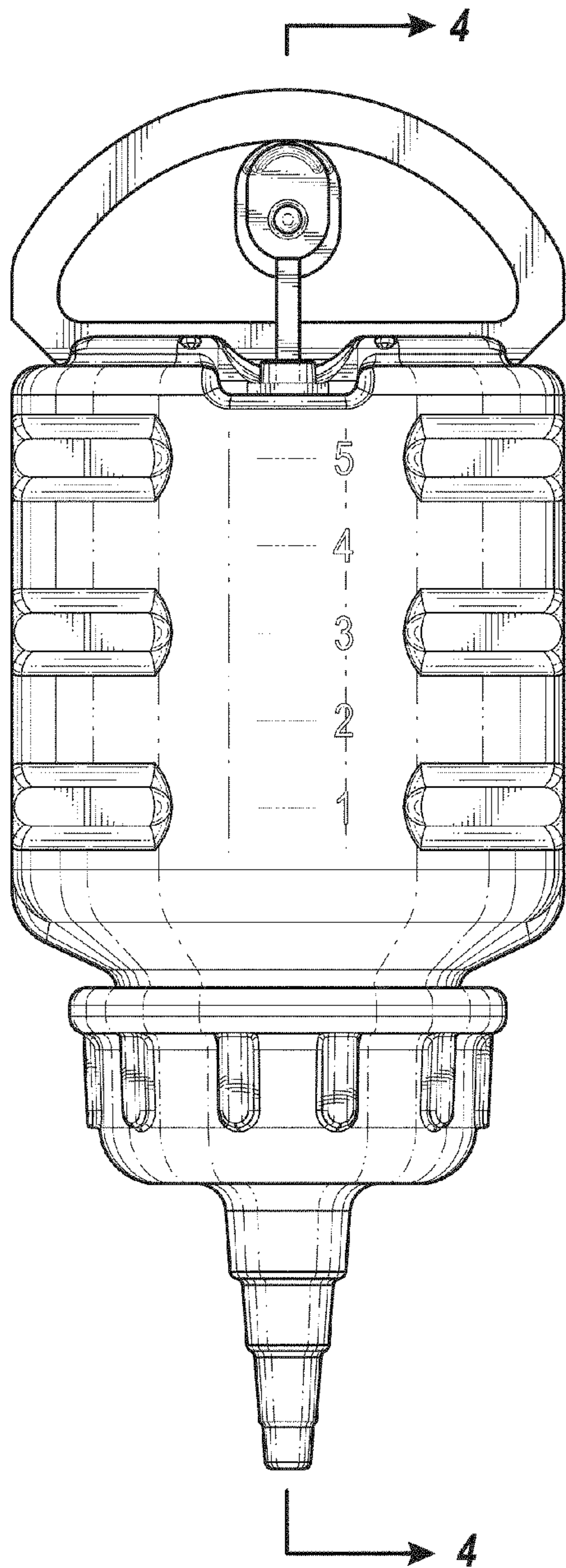


FIG. 3

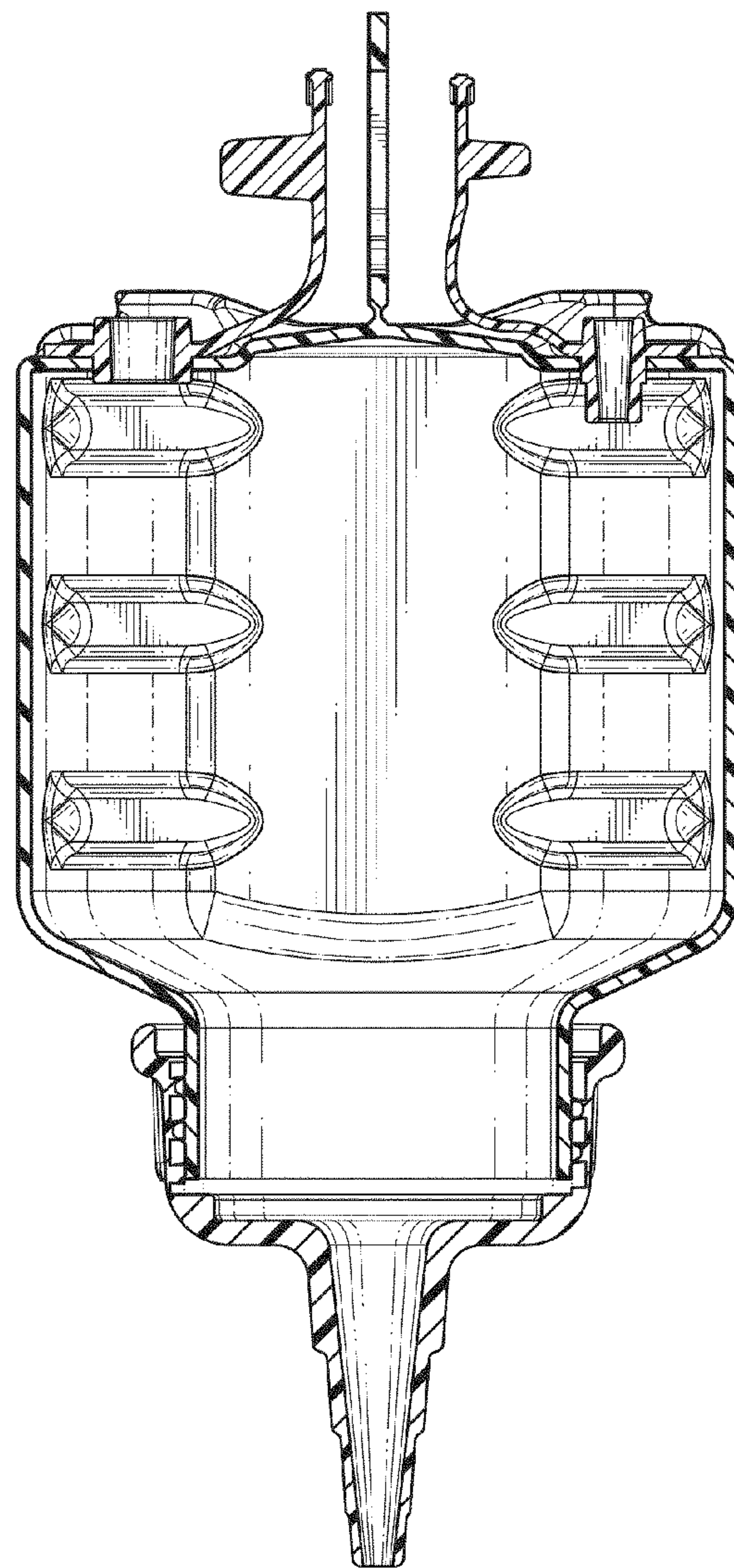
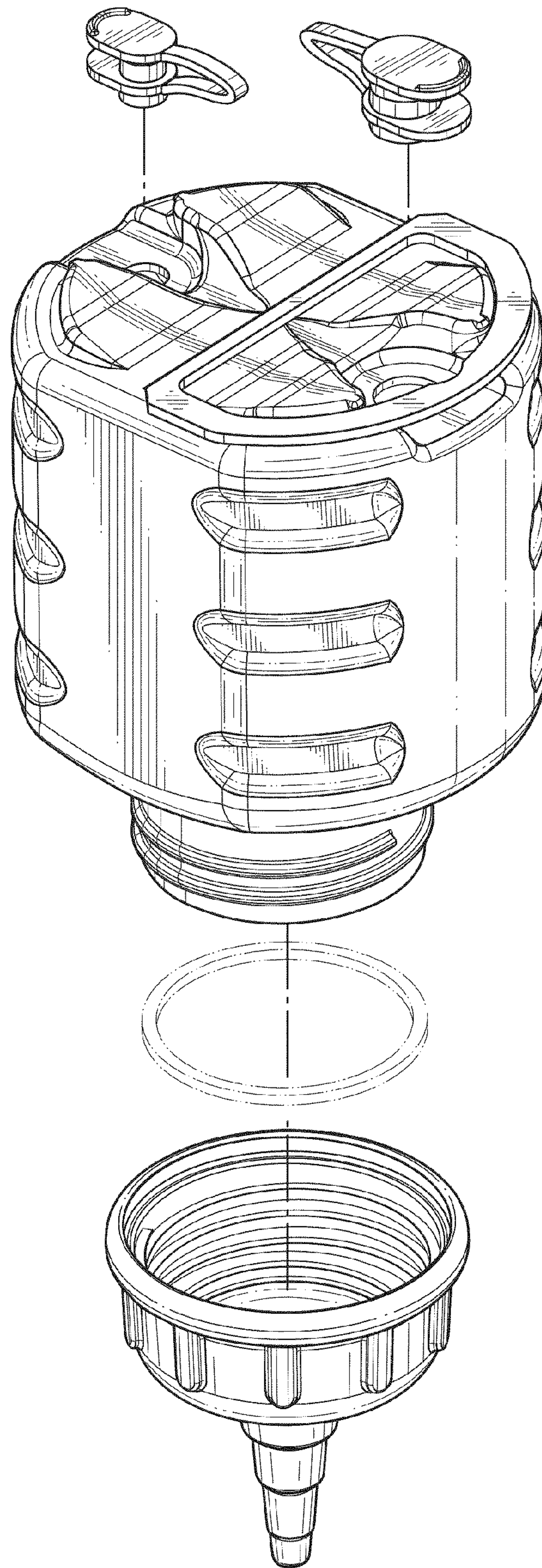
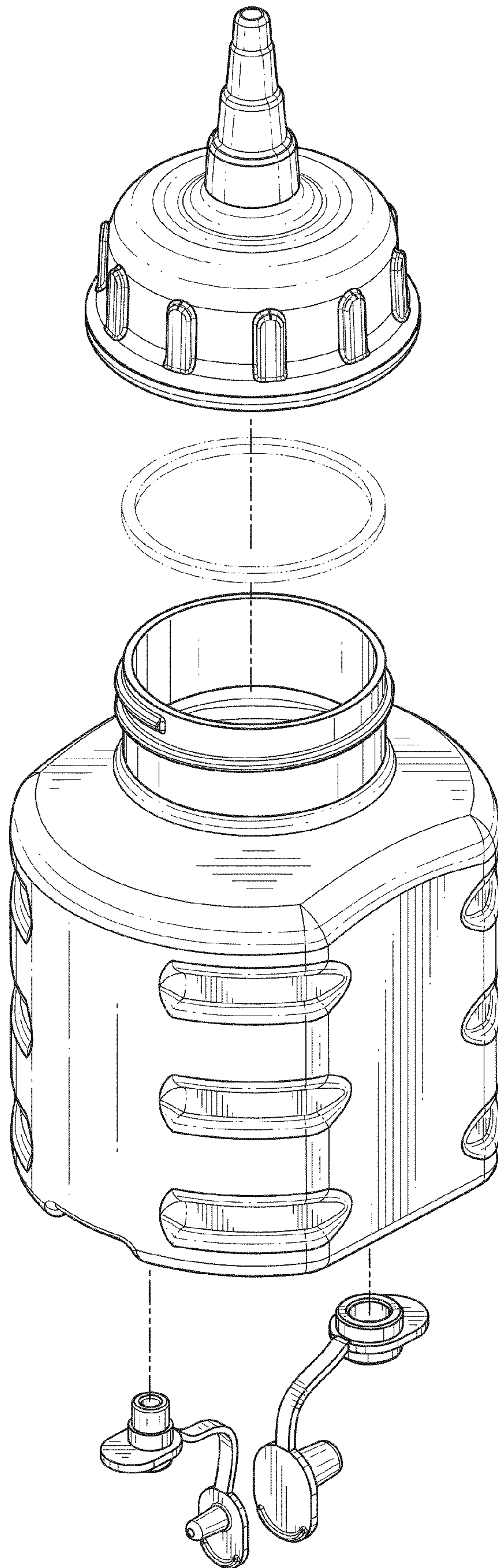


FIG. 4



**FIG. 5**





**FIG. 6**