



US00D642259S

(12) **United States Design Patent**
Messier

(10) **Patent No.:** **US D642,259 S**

(45) **Date of Patent:** **** Jul. 26, 2011**

- (54) **FACE SEAL FOR A RESPIRATOR**
- (75) Inventor: **Pierre J. Messier**, Quebec (CA)
- (73) Assignee: **Triosyn Corp.**, Williston, VT (US)
- (**) Term: **14 Years**
- (21) Appl. No.: **29/362,788**
- (22) Filed: **May 31, 2010**
- (51) **LOC (9) Cl.** **29-02**
- (52) **U.S. Cl.** **D24/110.1**
- (58) **Field of Classification Search** D24/110,
D24/110.1, 198, 199; 128/205.29, 205.25,
128/206.12, 206.13, 206.24, 206.19, 206.25,
128/206.28; D2/500, 861; 2/9, 206, 207;
D29/108; D6/300; 40/768, 702, 703; 602/54,
602/58; 604/344, 180, 307, 304, 308
See application file for complete search history.

6,196,223	B1 *	3/2001	Belfer et al.	128/206.25
D443,927	S	6/2001	Chen		
D448,472	S	9/2001	Chen		
6,461,467	B2 *	10/2002	Blatchford et al.	156/230
6,851,429	B2 *	2/2005	Bishop	128/206.25
D578,208	S	10/2008	Abel et al.		
D604,911	S	11/2009	Juhlin		
D613,850	S	4/2010	Holmquist-Brown et al.		
2004/0056043	A1 *	3/2004	Griesbach et al.	221/303
2006/0130842	A1 *	6/2006	Kleman	128/206.19

FOREIGN PATENT DOCUMENTS

WO WO-2004/024292 3/2004

* cited by examiner

Primary Examiner — Ian Simmons

Assistant Examiner — Rashida Johnson

(74) *Attorney, Agent, or Firm* — Goodwin Procter LLP

(57) **CLAIM**

The ornamental design for a face seal for a respirator, as shown and described.

DESCRIPTION

FIG. 1 is a front view of the face seal disposed on a respirator; FIG. 2 is a bottom view of the face seal disposed on the respirator;

FIG. 3 is side view of the face seal disposed on the respirator; and,

FIG. 4 is a perspective view of the face seal disposed on the respirator.

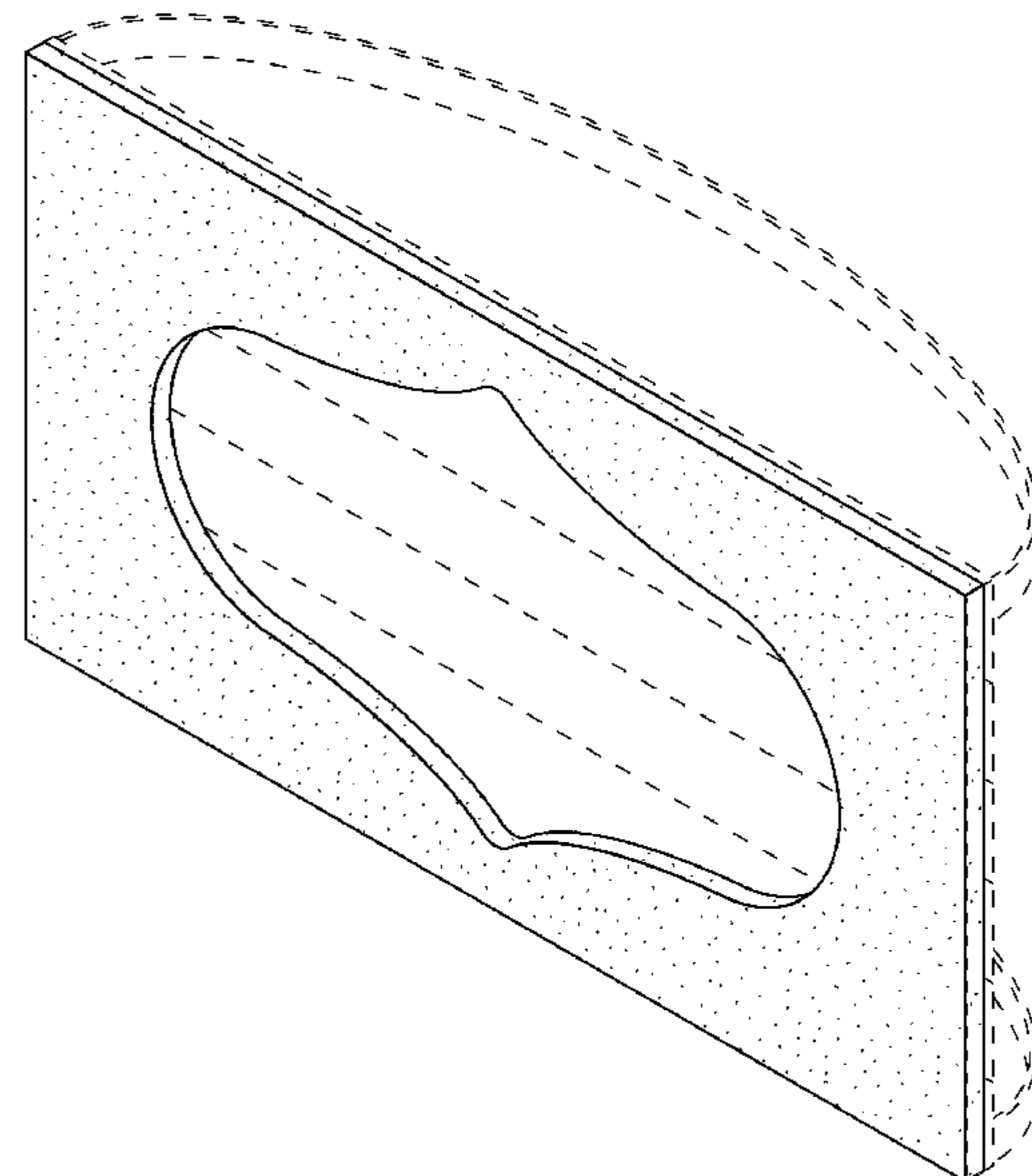
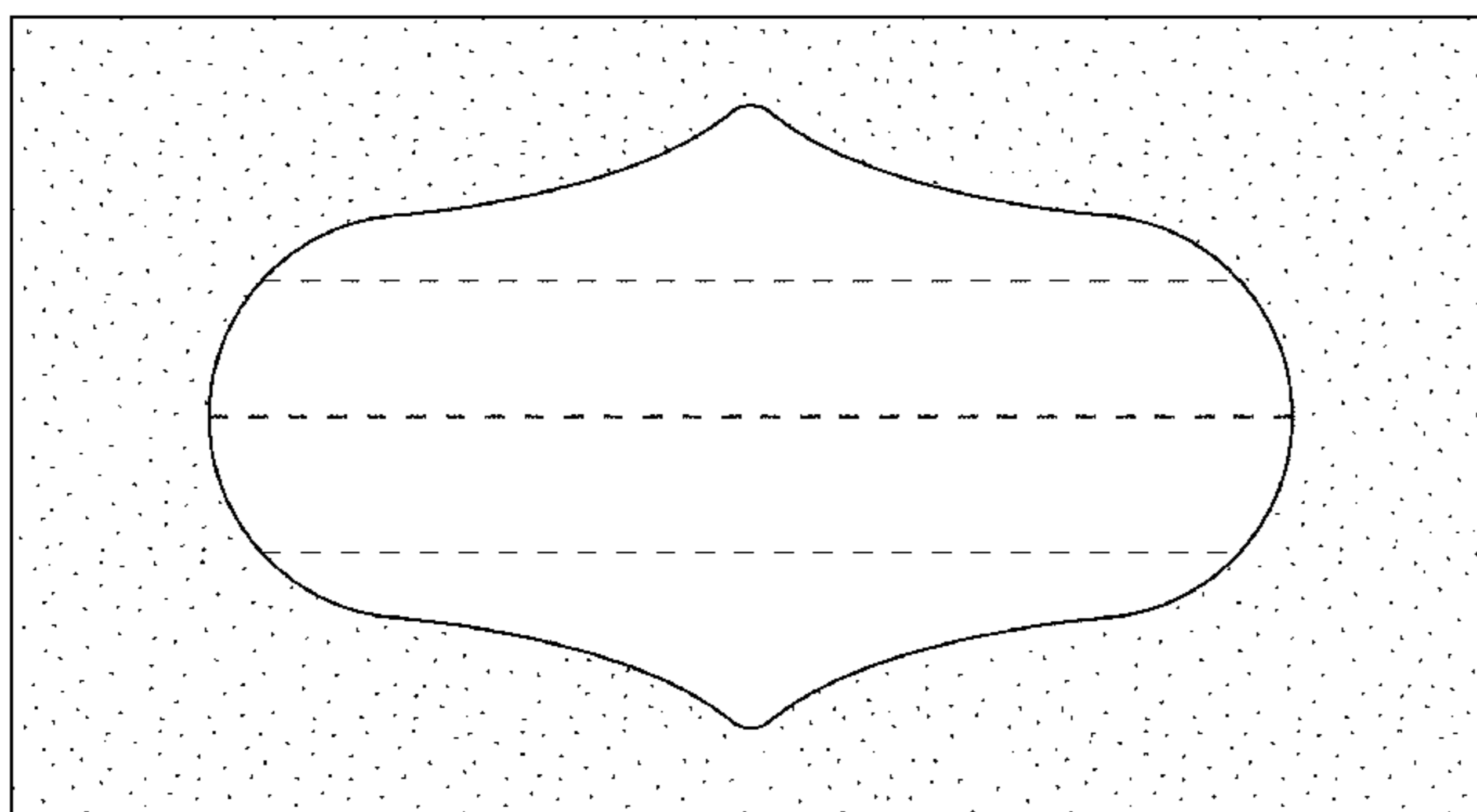
The respirator is shown in broken lines for illustrative purposes only and forms no part of the claimed design.

1 Claim, 2 Drawing Sheets

(56) **References Cited**

U.S. PATENT DOCUMENTS

158,301	A *	12/1874	Neff	40/768
D160,013	S *	9/1950	Rabkin	D14/482
2,535,434	A *	12/1950	Marietta	2/9
2,685,086	A *	8/1954	Henry	2/55
2,844,901	A *	7/1958	Eisen	40/768
D216,132	S *	11/1969	Chapin	D6/300
4,393,612	A *	7/1983	Clark	40/798
5,003,633	A *	4/1991	Itoh	2/9
5,163,185	A *	11/1992	Hodnett	2/424
5,617,849	A *	4/1997	Springett et al.	128/206.24
D424,688	S	5/2000	Bryant et al.		



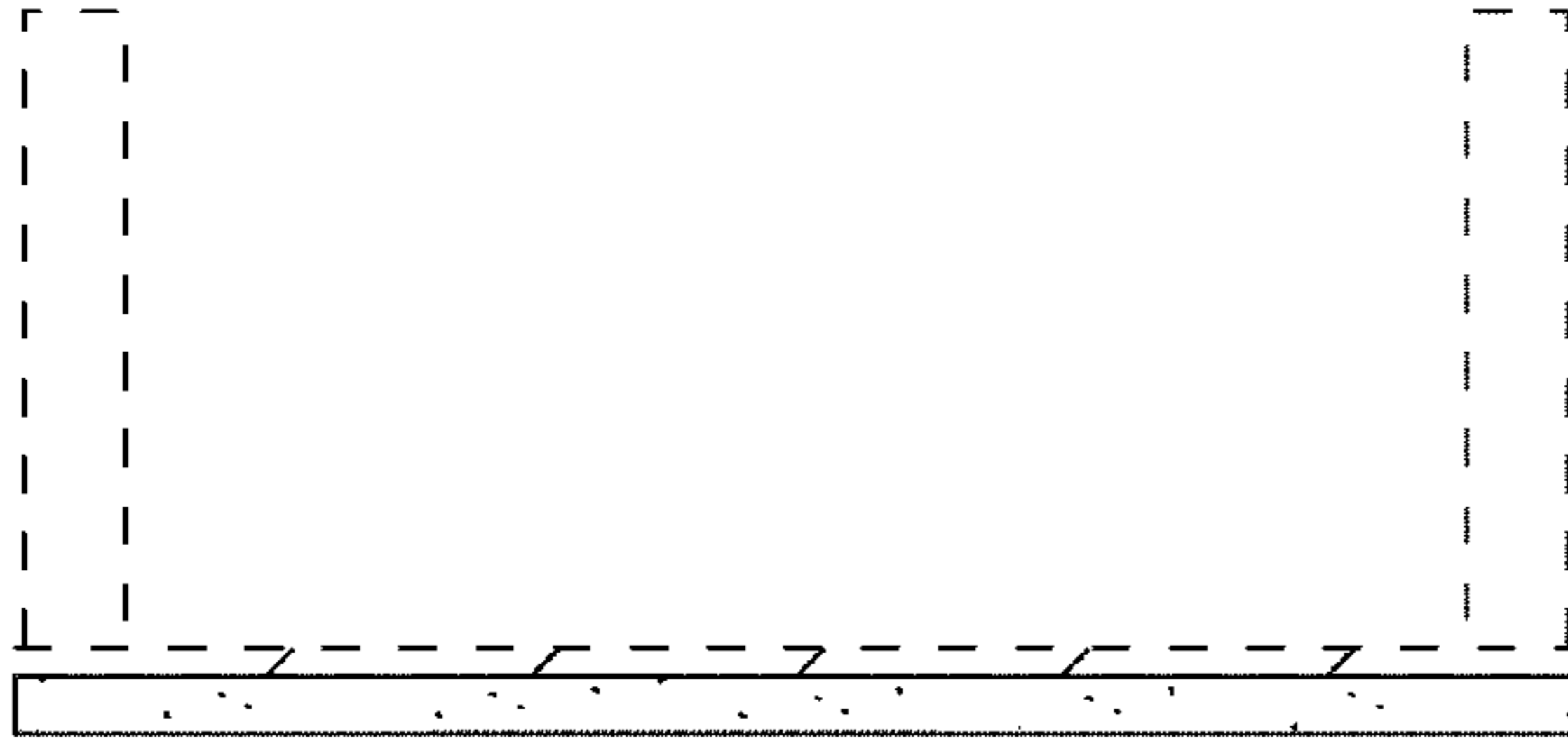


FIG. 3

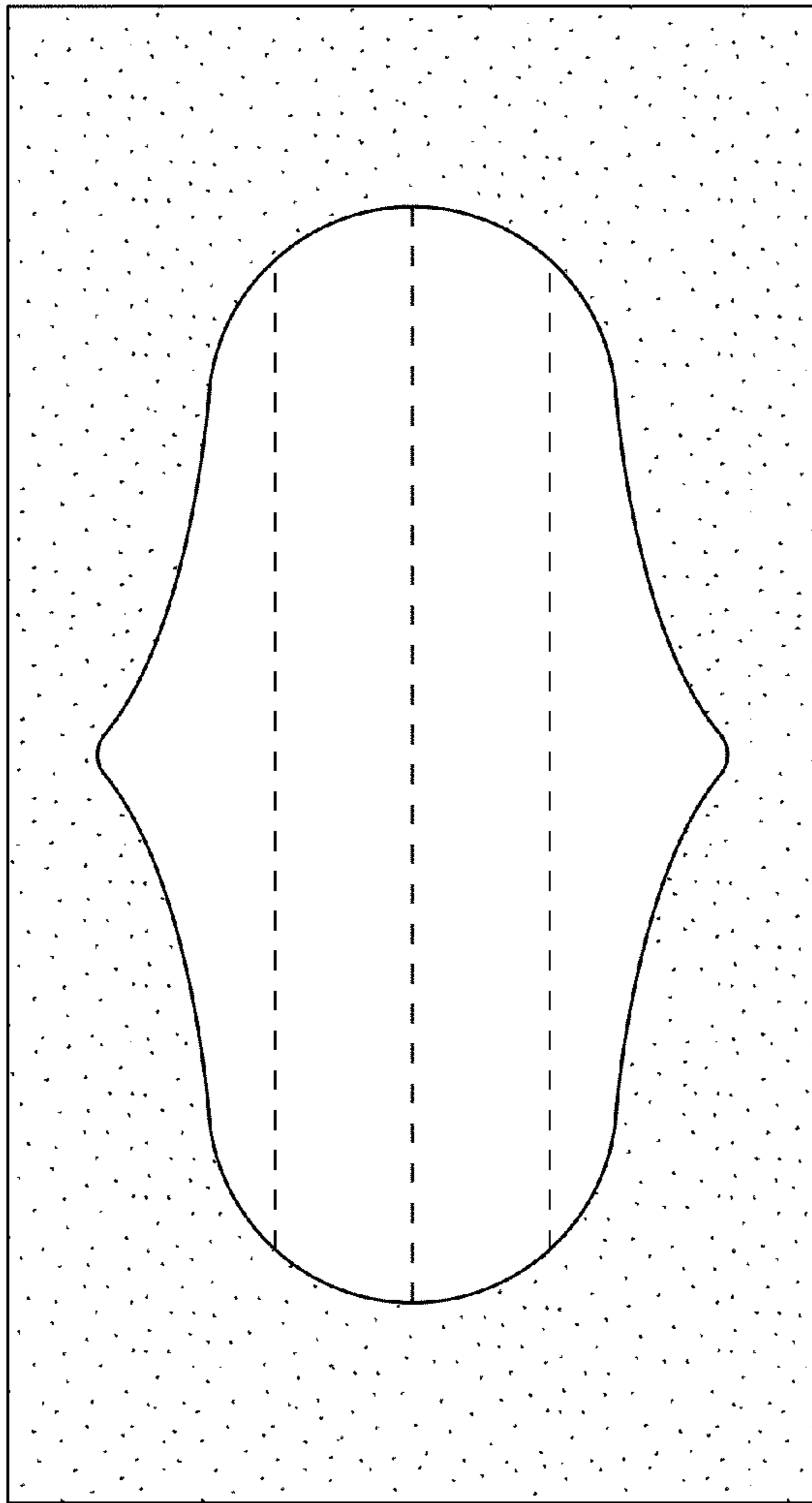


FIG. 1

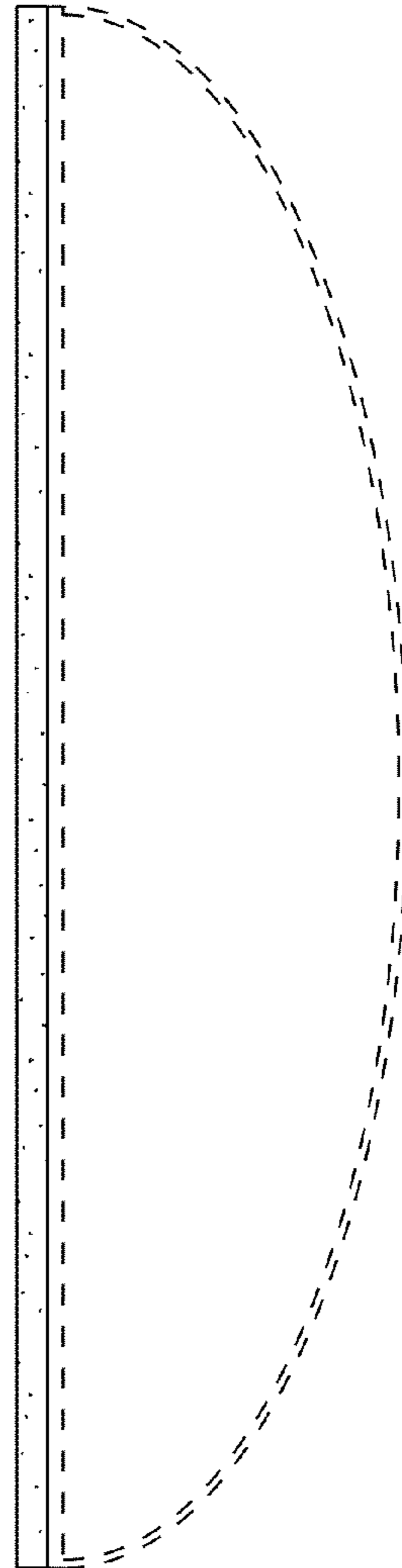


FIG. 2

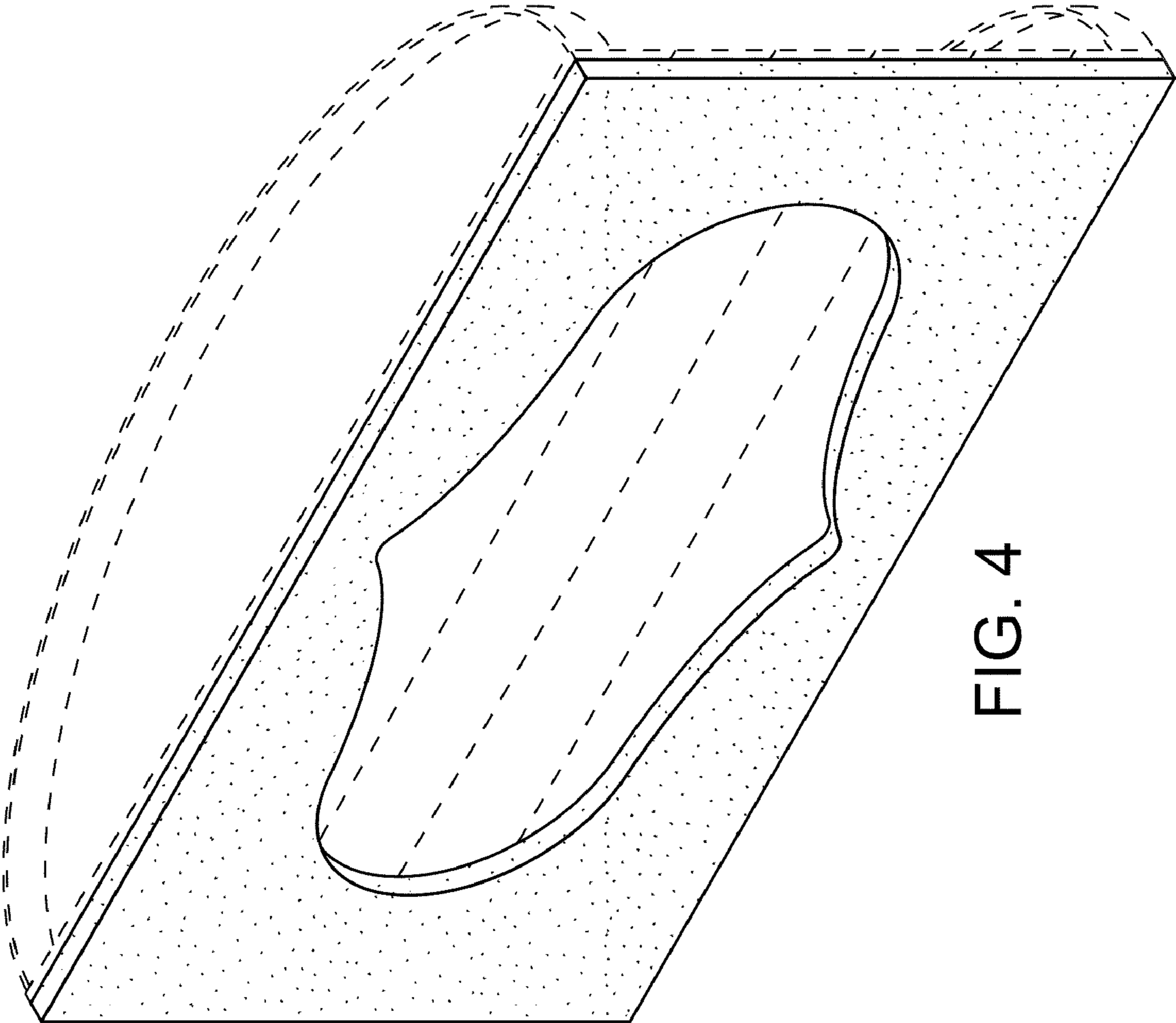


FIG. 4