



US00D642248S

(12) **United States Design Patent**  
**Chouji**

(10) **Patent No.:** **US D642,248 S**  
(45) **Date of Patent:** **\*\* Jul. 26, 2011**

(54) **AIR CONDITIONER**

- (75) Inventor: **Masahiko Chouji**, Kusatsu (JP)
- (73) Assignee: **Daikin Industries Ltd.**, Osaka (JP)
- (\*\*) Term: **14 Years**
- (21) Appl. No.: **29/371,240**
- (22) Filed: **Dec. 13, 2010**

(30) **Foreign Application Priority Data**

- Jun. 23, 2010 (JP) ..... 2010-015412
- Jun. 23, 2010 (JP) ..... 2010-015413
- Jun. 23, 2010 (JP) ..... 2010-015414

- (51) **LOC (9) Cl.** ..... **23-04**
- (52) **U.S. Cl.** ..... **D23/351**
- (58) **Field of Classification Search** ..... D23/351-354,  
D23/385, 355, 357, 361; 312/236; 62/259.1,  
62/259.4, 262-263, 304; 454/330-331, 349-350  
See application file for complete search history.

(56) **References Cited**

**U.S. PATENT DOCUMENTS**

- D469,525 S \* 1/2003 Giugiaro ..... D23/351
- D557,393 S \* 12/2007 Yoo et al. .... D23/351
- D558,864 S \* 1/2008 Yoo et al. .... D23/351
- D580,033 S \* 11/2008 Seki ..... D23/351
- D580,034 S \* 11/2008 Seki ..... D23/351
- D593,666 S \* 6/2009 Nakamura ..... D23/351
- D593,668 S \* 6/2009 Seki ..... D23/351
- D594,538 S \* 6/2009 Tsuji ..... D23/351
- D605,269 S \* 12/2009 Wagner et al. .... D23/351

\* cited by examiner

*Primary Examiner* — Brian N Vinson

(74) *Attorney, Agent, or Firm* — Manabu Kanesaka

(57) **CLAIM**

The ornamental design for an air conditioner, as shown and described.

**DESCRIPTION**

FIG. 1 is a front, left side and bottom perspective view of a first embodiment of an air conditioner showing my new design;  
 FIG. 2 is a front elevational view thereof;  
 FIG. 3 is a rear elevational view thereof;  
 FIG. 4 is a top plan view thereof;  
 FIG. 5 as a bottom plan view thereof;  
 FIG. 6 is a left side elevational view thereof;  
 FIG. 7 as a right elevational view thereof;  
 FIG. 8 is an enlarged vertical cross-sectional view thereof taken along line 8-8 in FIG. 2;  
 FIG. 9 is a front, left side and bottom perspective view of a second embodiment of an air conditioner showing my new design;  
 FIG. 10 is a front elevational view thereof;  
 FIG. 11 is a rear elevational view thereof;  
 FIG. 12 is a top plan view thereof;  
 FIG. 13 as a bottom plan view thereof;  
 FIG. 14 is a left side elevational view thereof;  
 FIG. 15 as a right elevational view thereof;  
 FIG. 16 is an enlarged vertical cross-sectional view thereof taken along line 16-16 in FIG. 10;  
 FIG. 17 is a front, left side and bottom perspective view of a third embodiment of an air conditioner showing my new design;  
 FIG. 18 is a front elevational view thereof;  
 FIG. 19 is a rear elevational view thereof;  
 FIG. 20 is a top plan view thereof;  
 FIG. 21 as a bottom plan view thereof;  
 FIG. 22 is a left side elevational view thereof;  
 FIG. 23 as a right elevational view thereof; and,  
 FIG. 24 is an enlarged vertical cross-sectional view thereof taken along line 24-24 in FIG. 18.

The broken-line disclosure in the views is understood to show internal elements which are part of the article in which the claimed design is embodied, but which form no part of the claimed design.

**1 Claim, 15 Drawing Sheets**

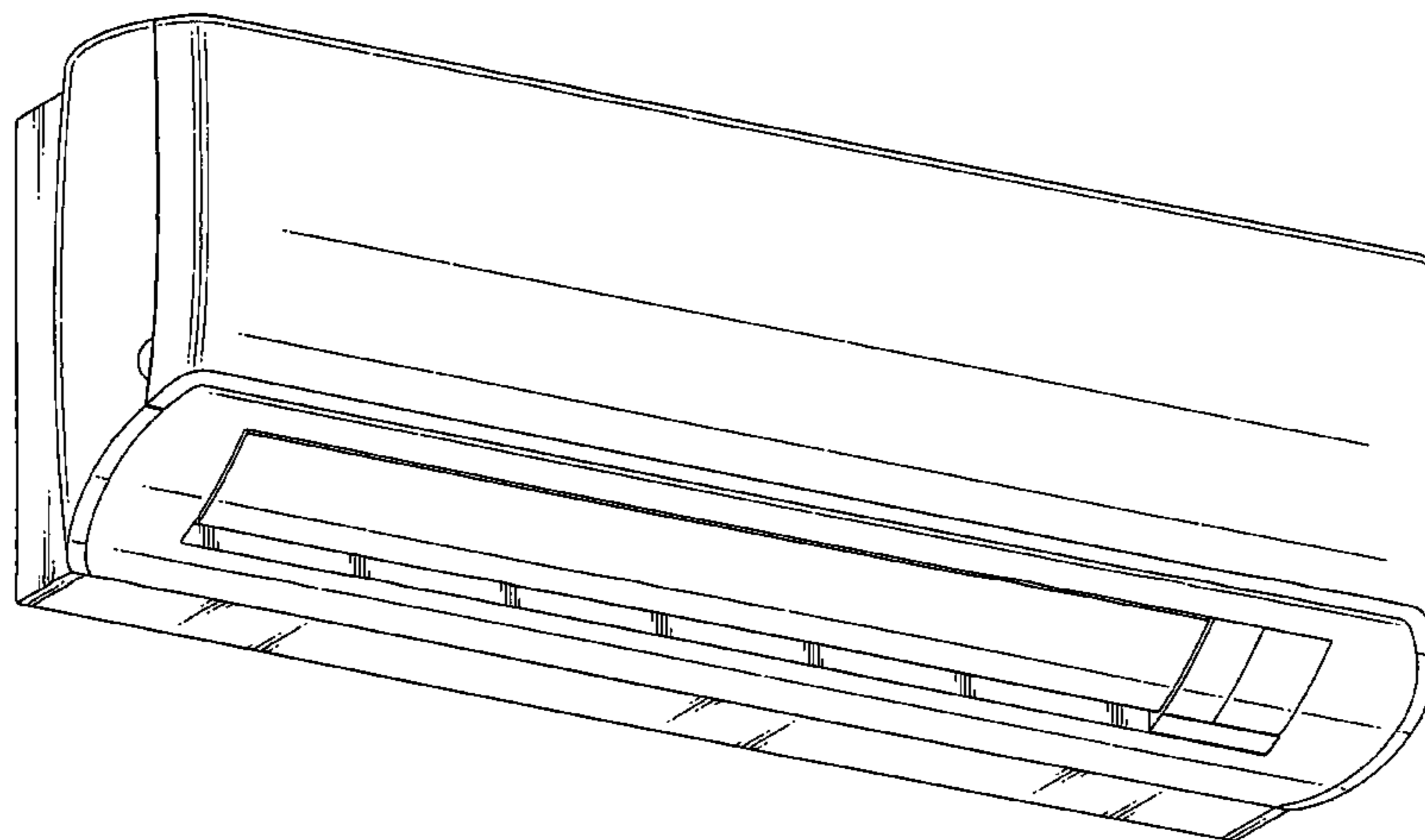


Fig. 1

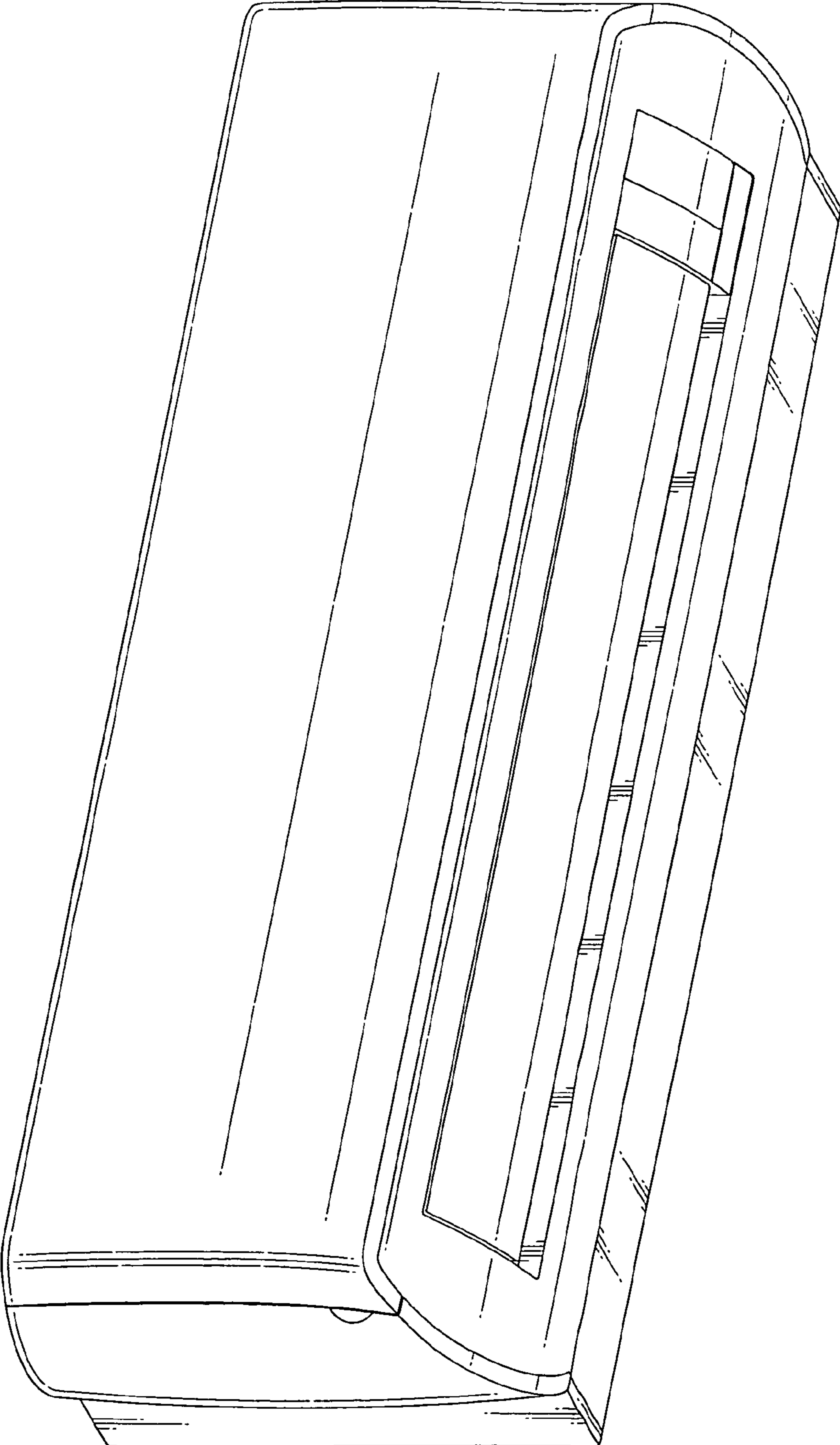


Fig. 2

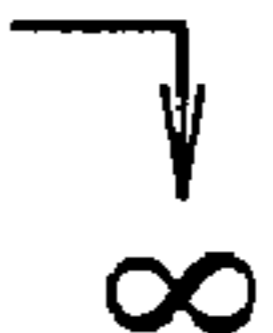
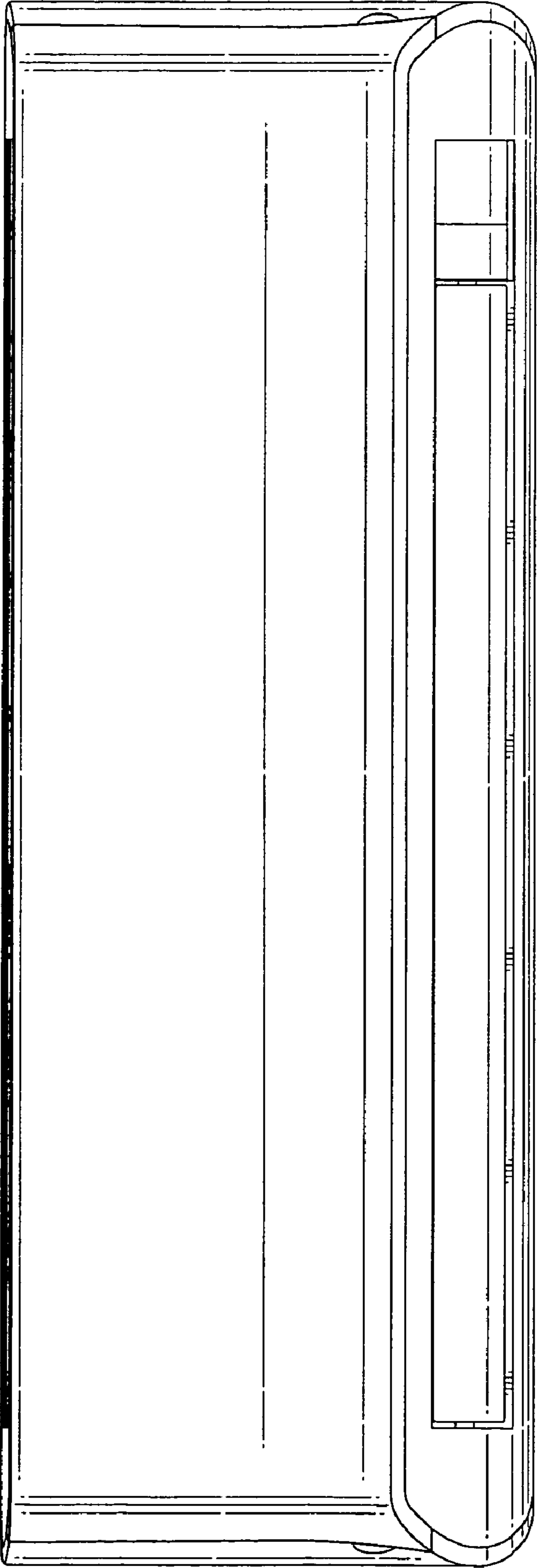
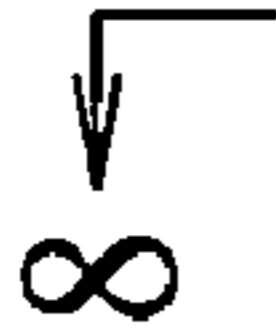


Fig. 3

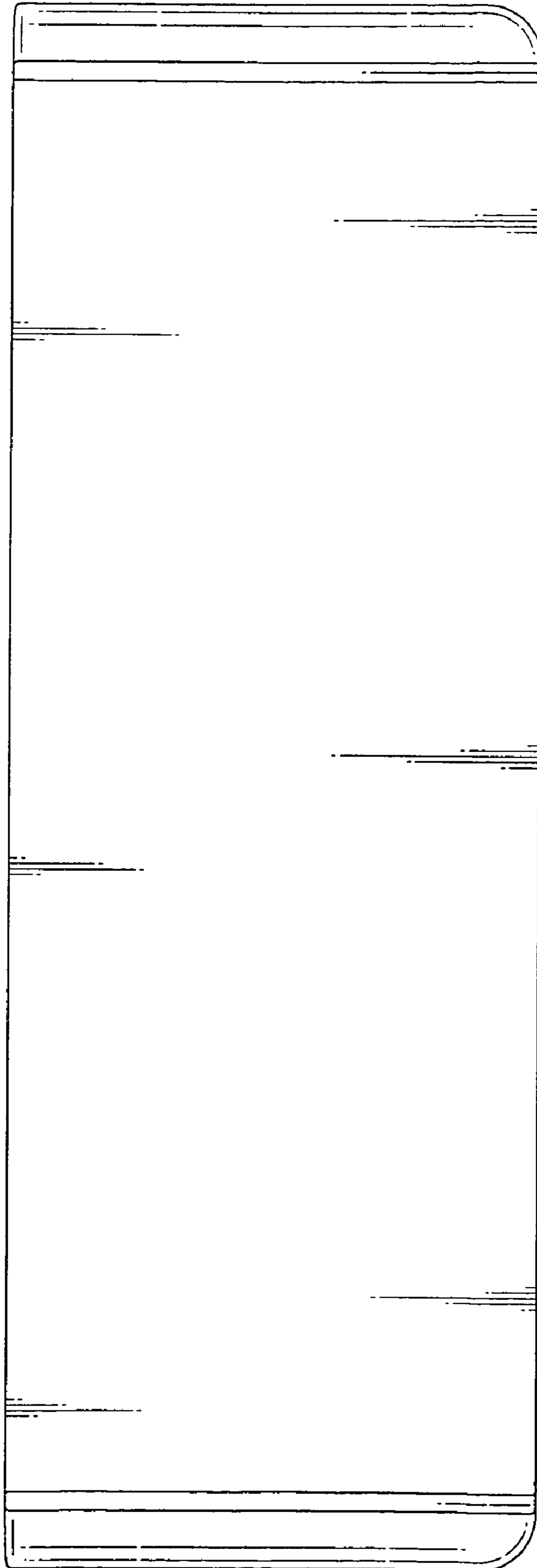


Fig. 4

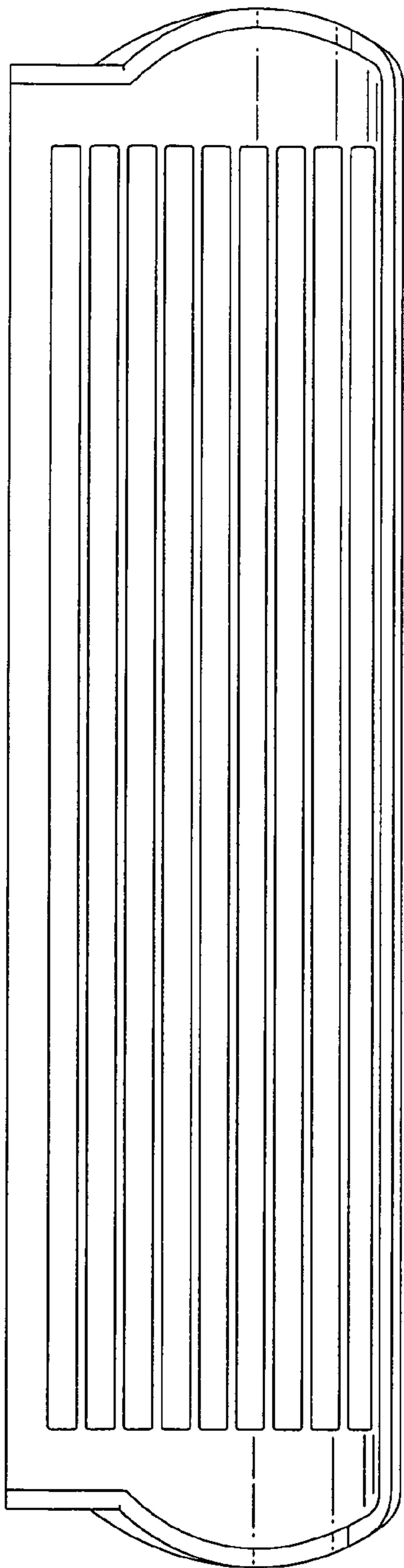


Fig. 5

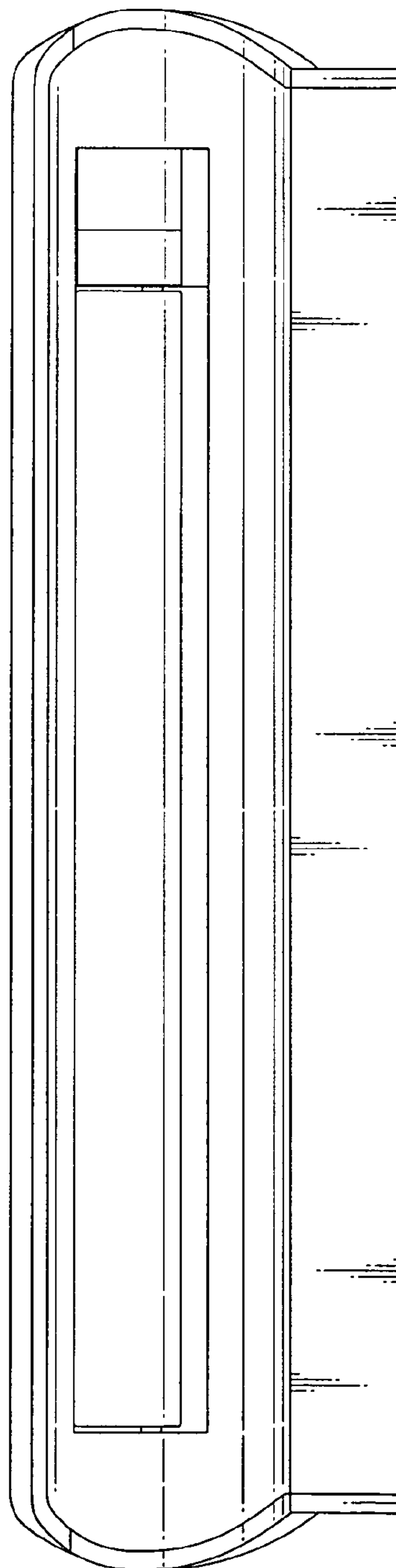


Fig. 8

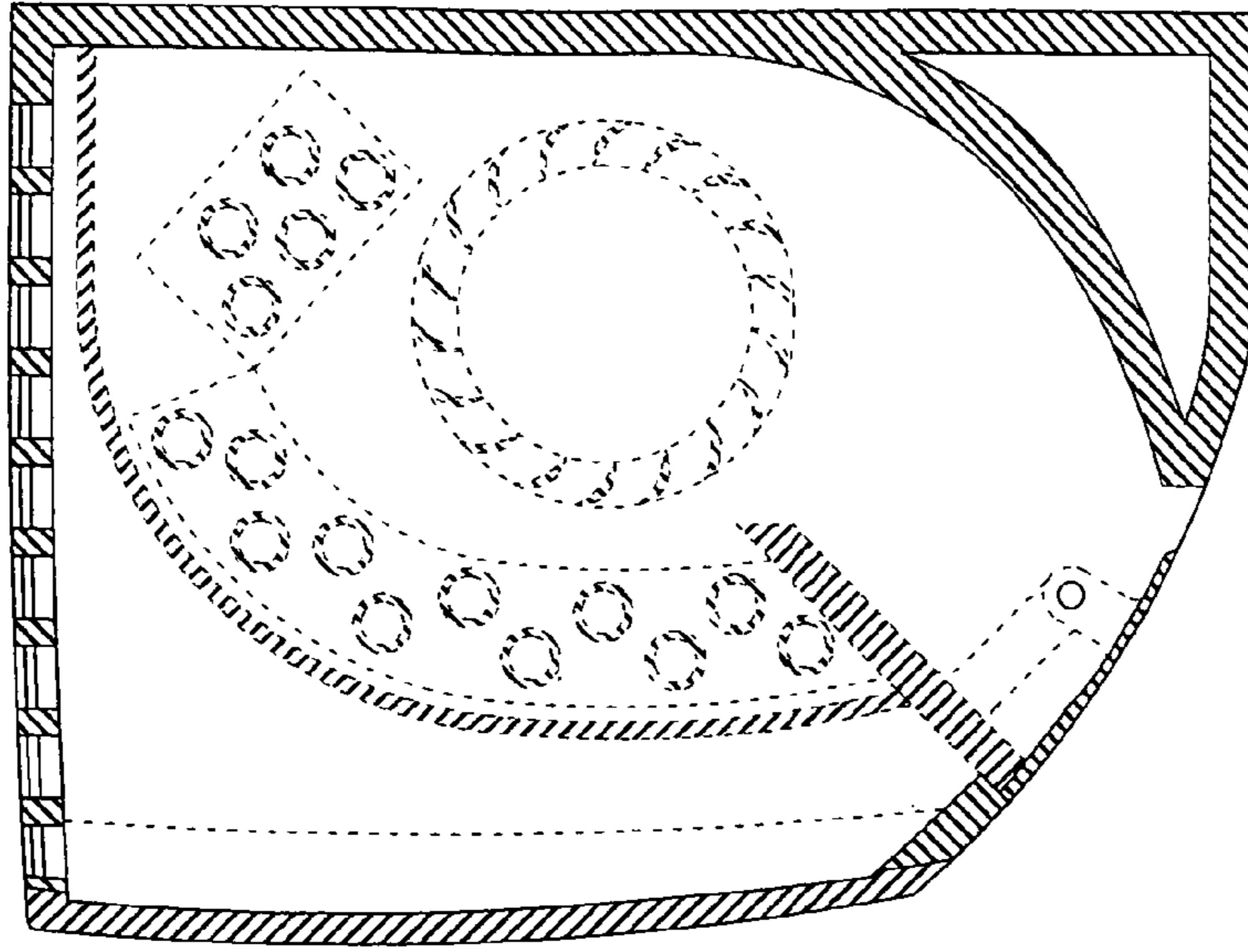


Fig. 7

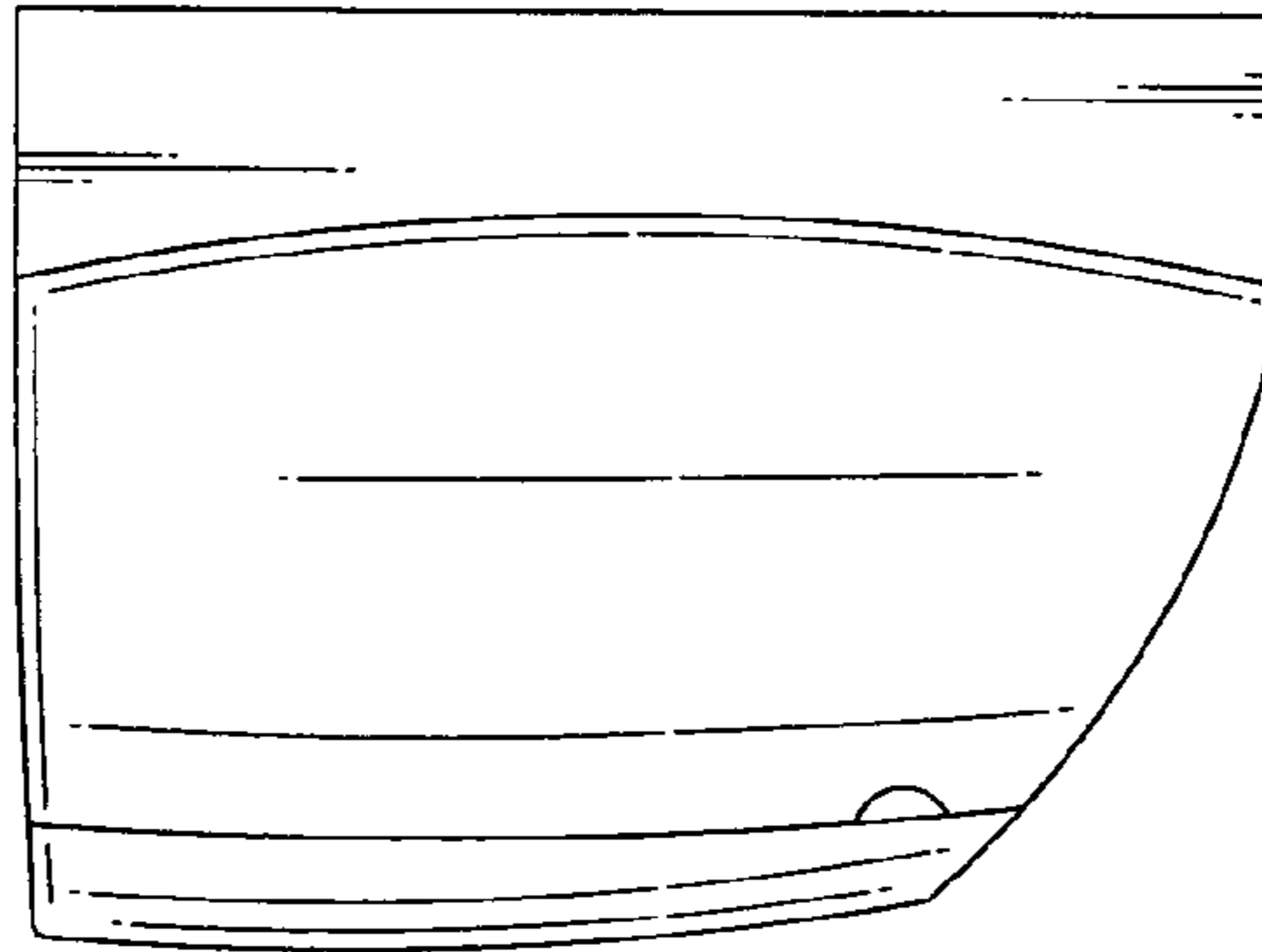


Fig. 6

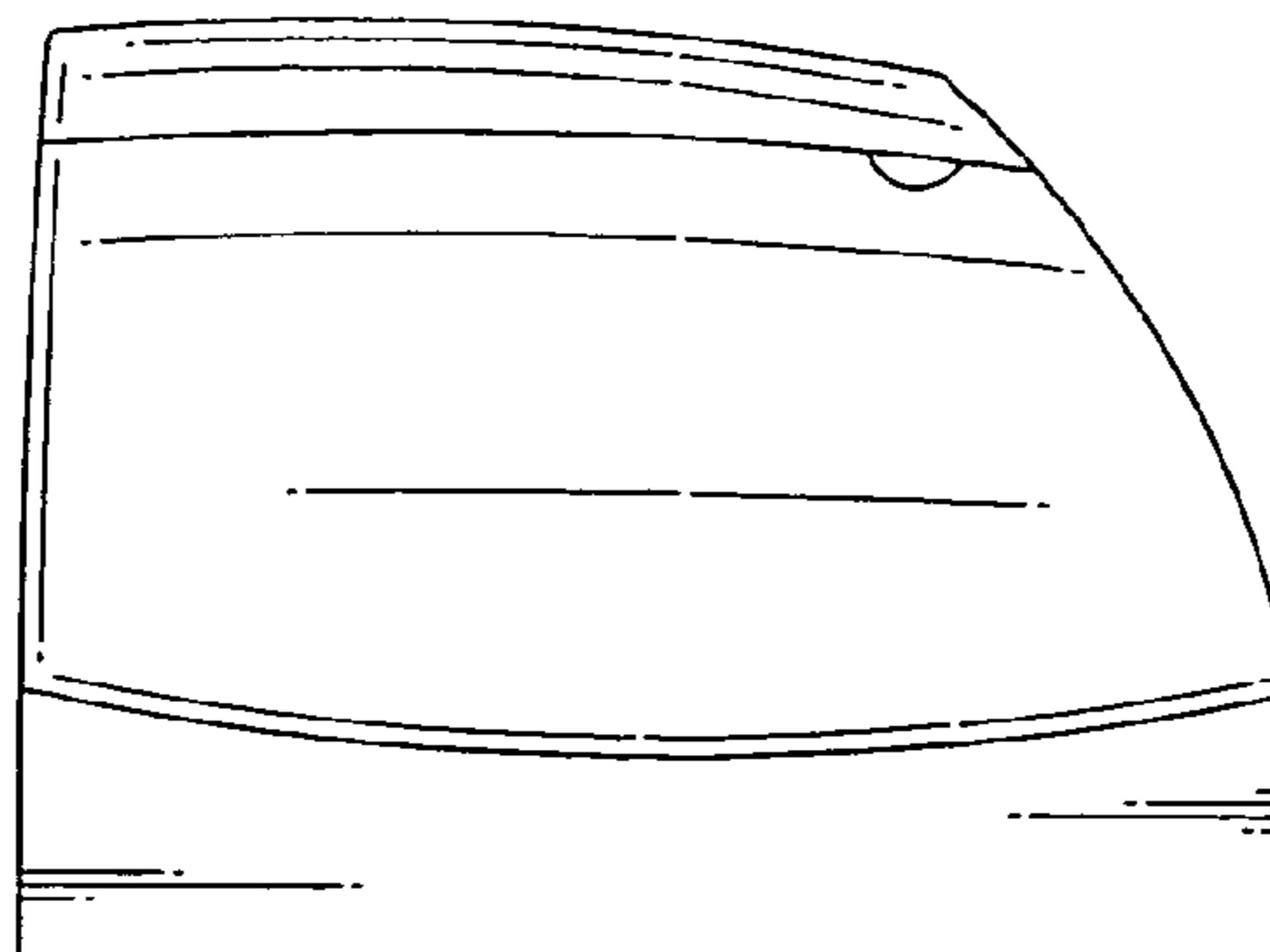


Fig. 9

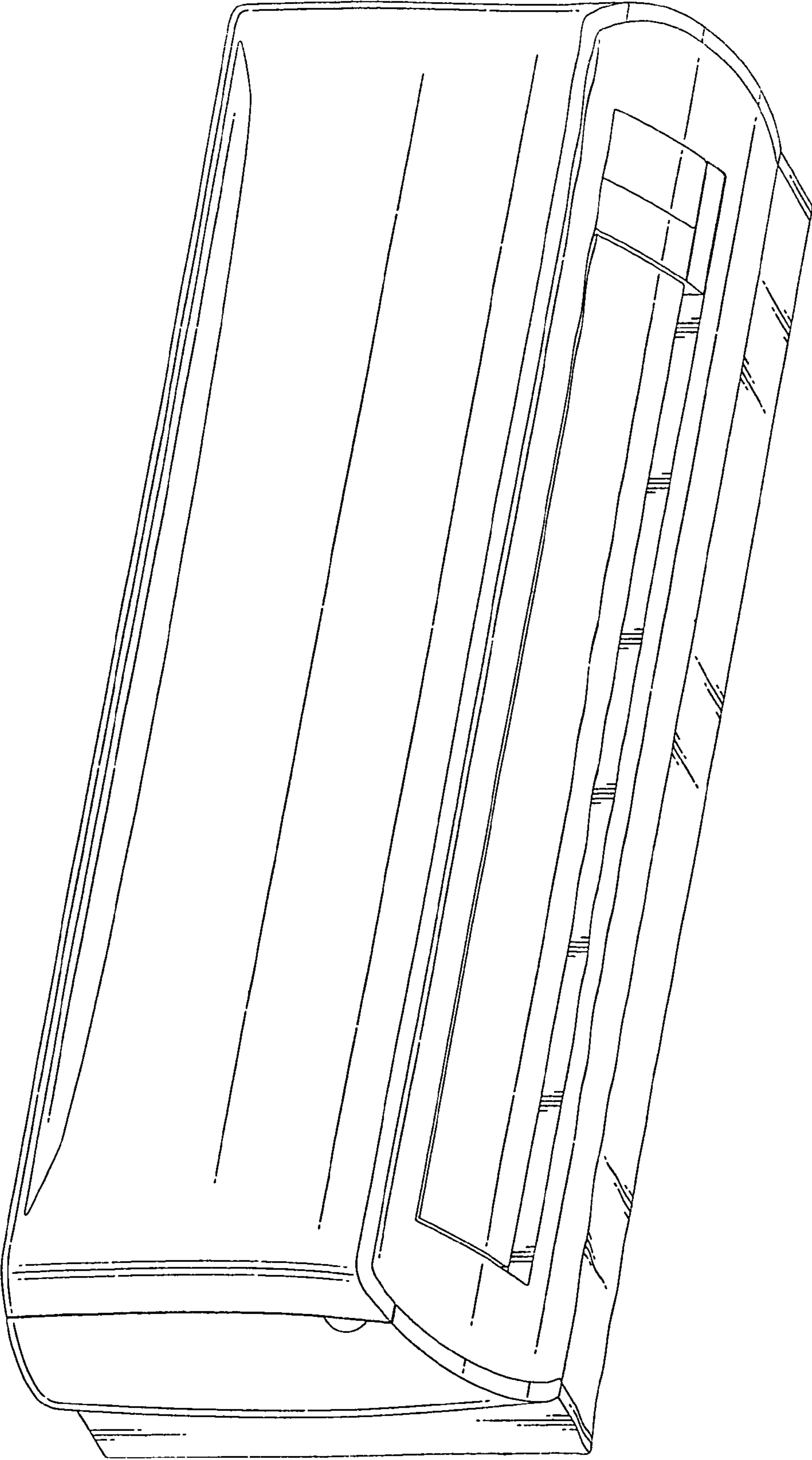
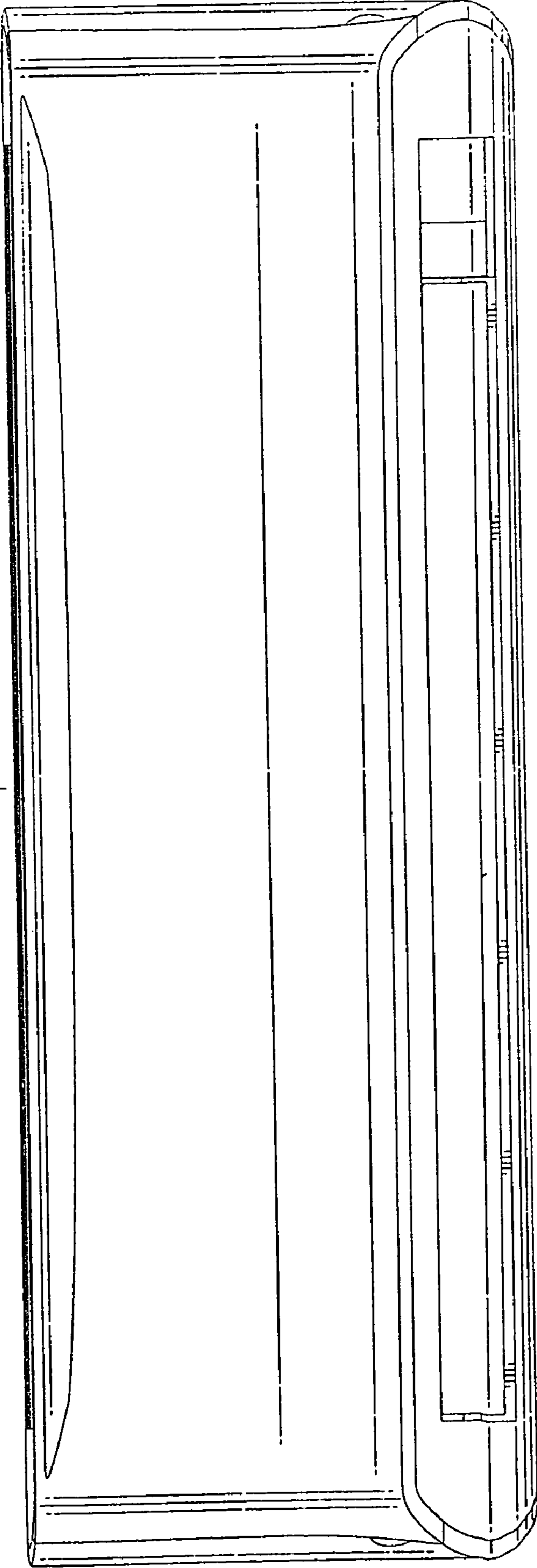


Fig. 10

16 ←



16 ←



Fig. 11

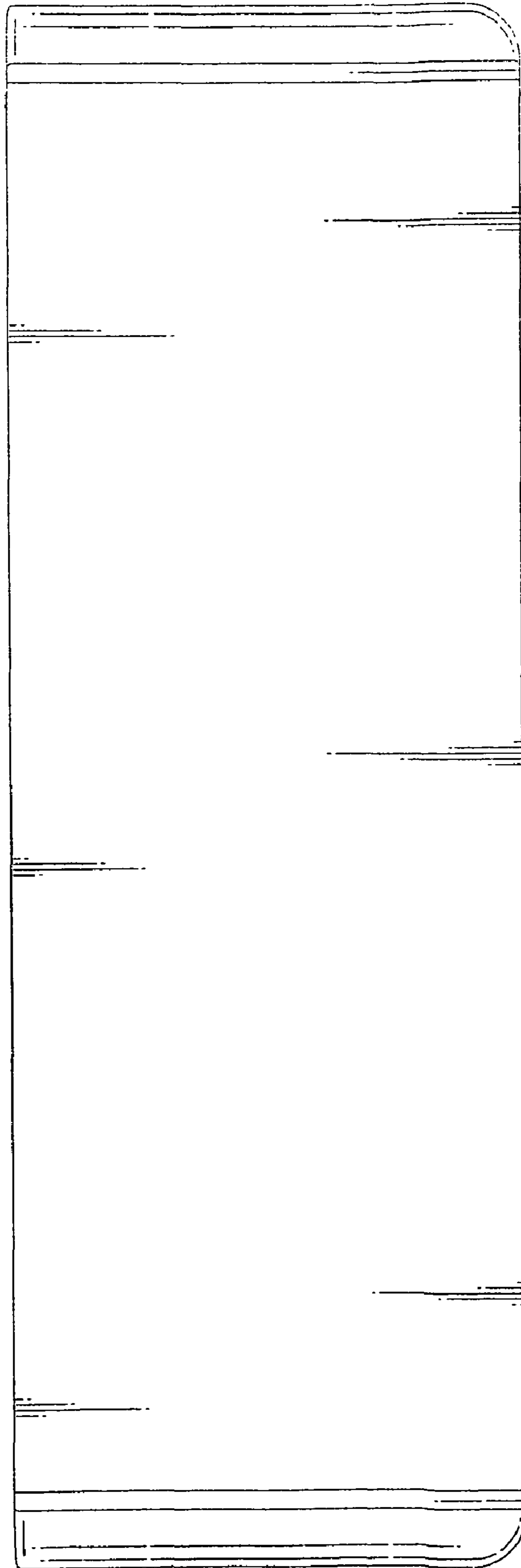


Fig. 12

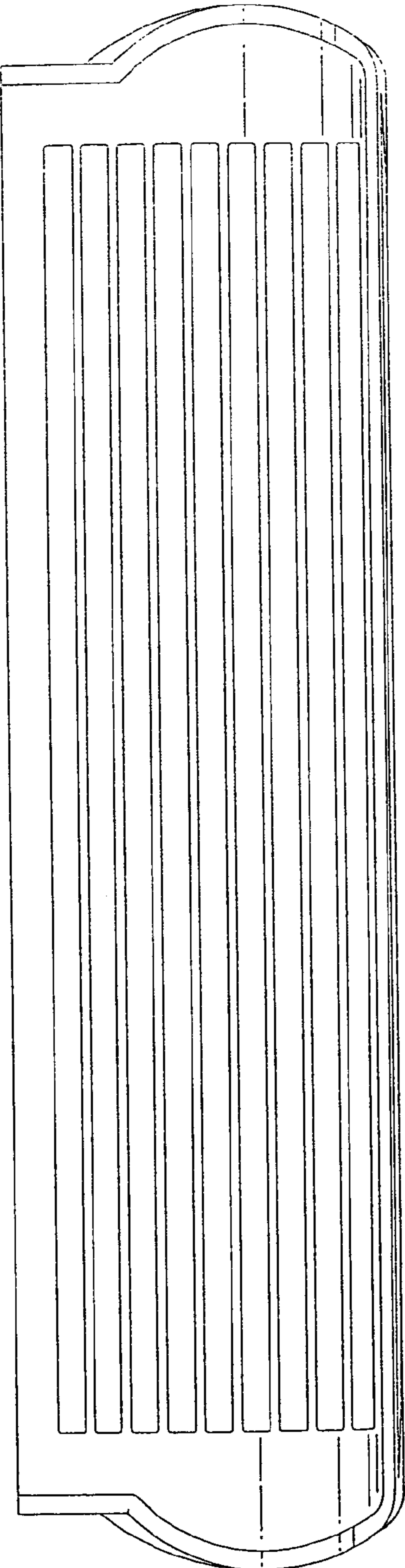


Fig. 13

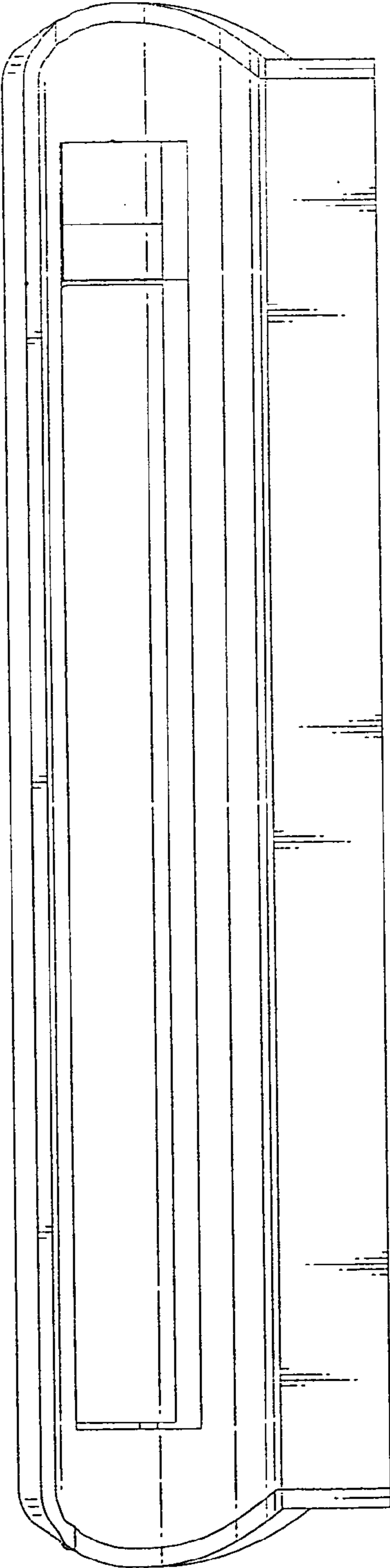


Fig. 16

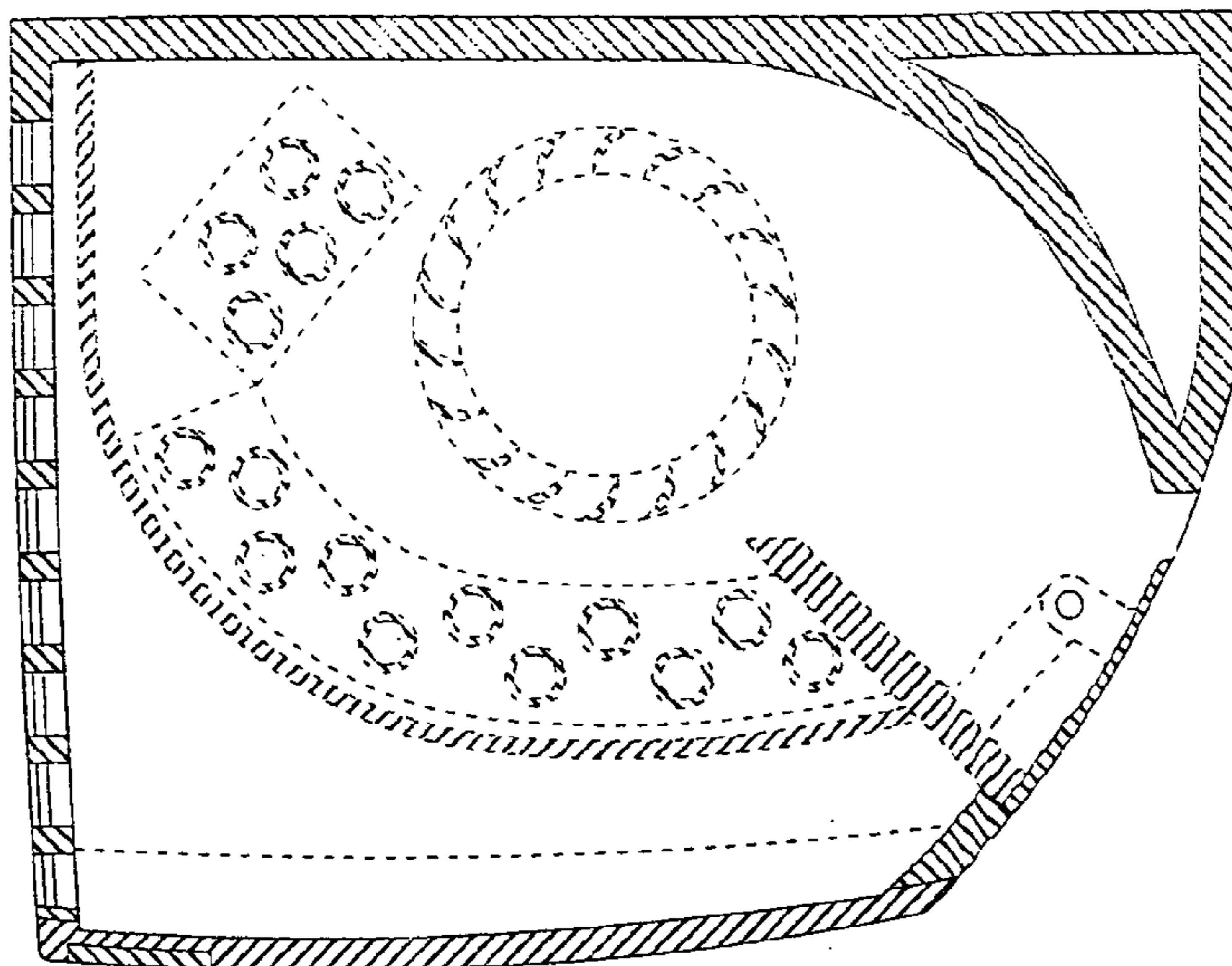


Fig. 15

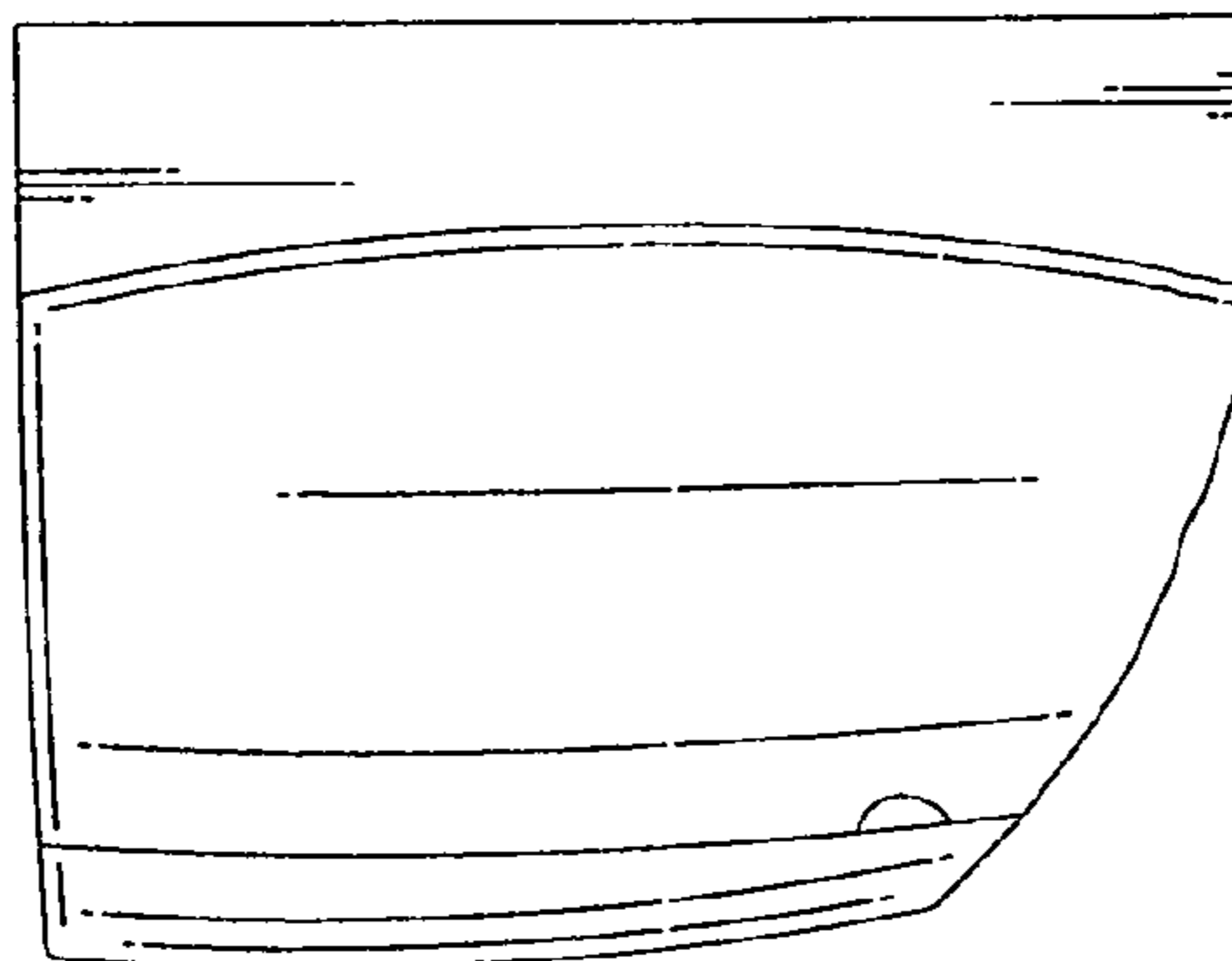


Fig. 14

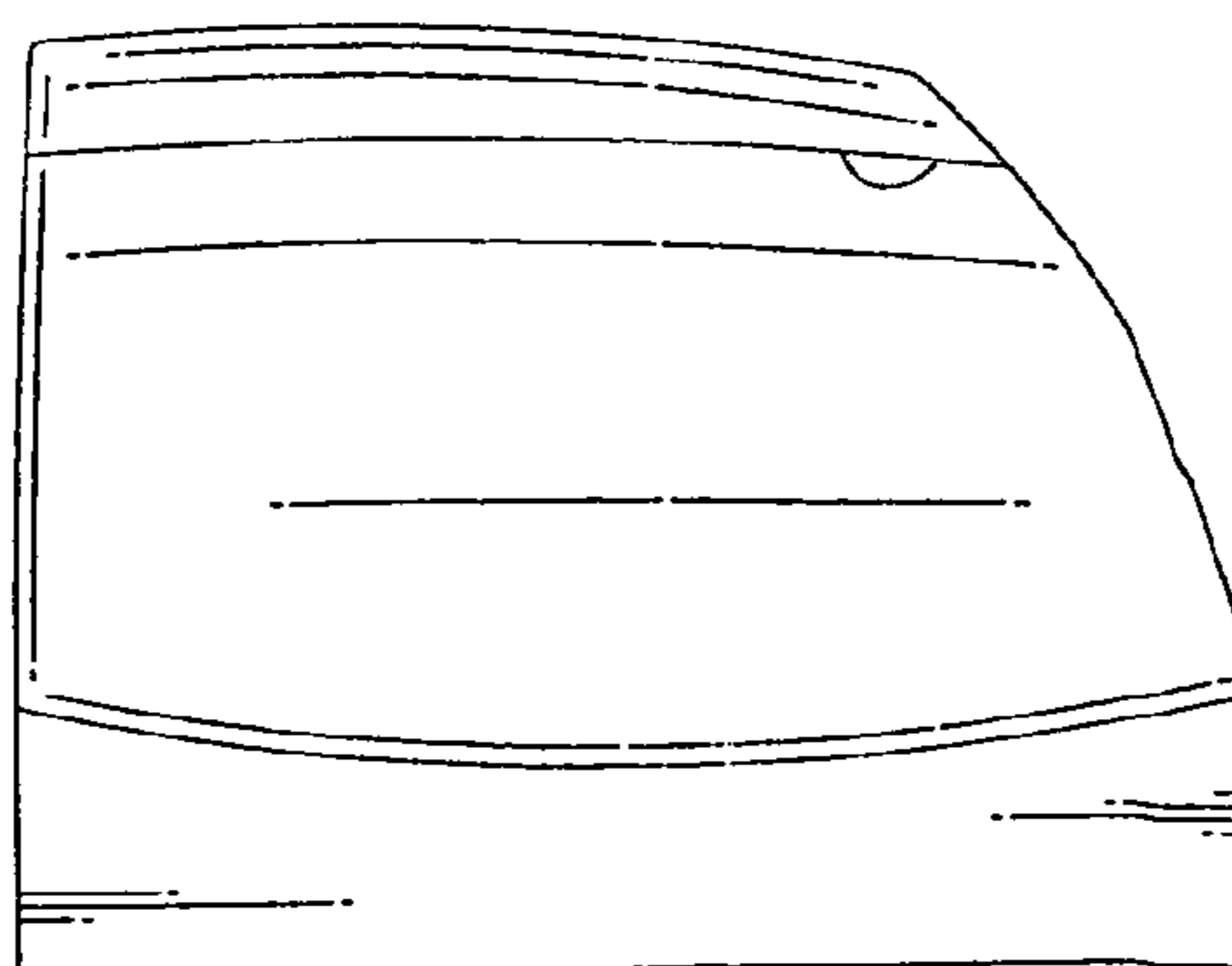


Fig. 17

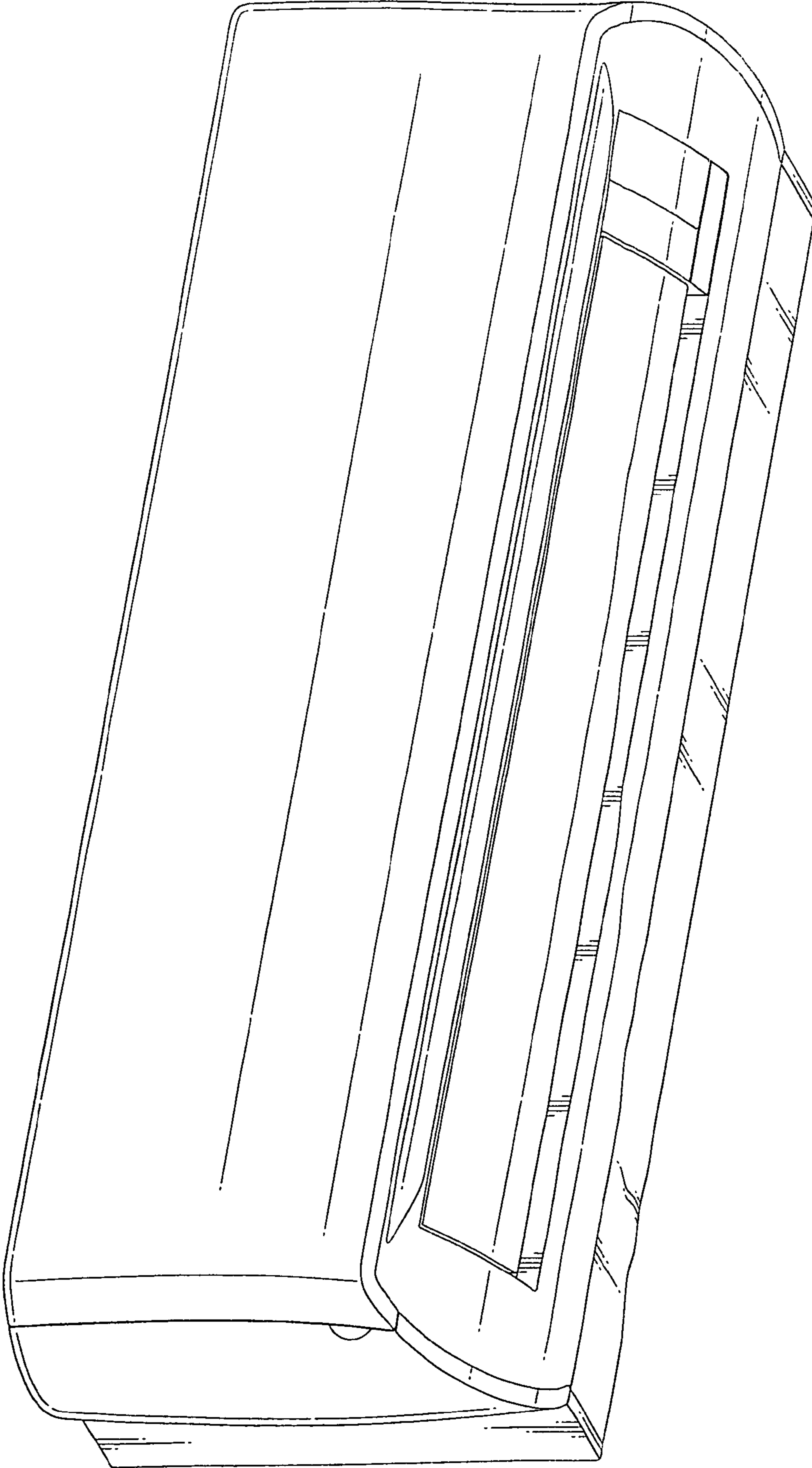
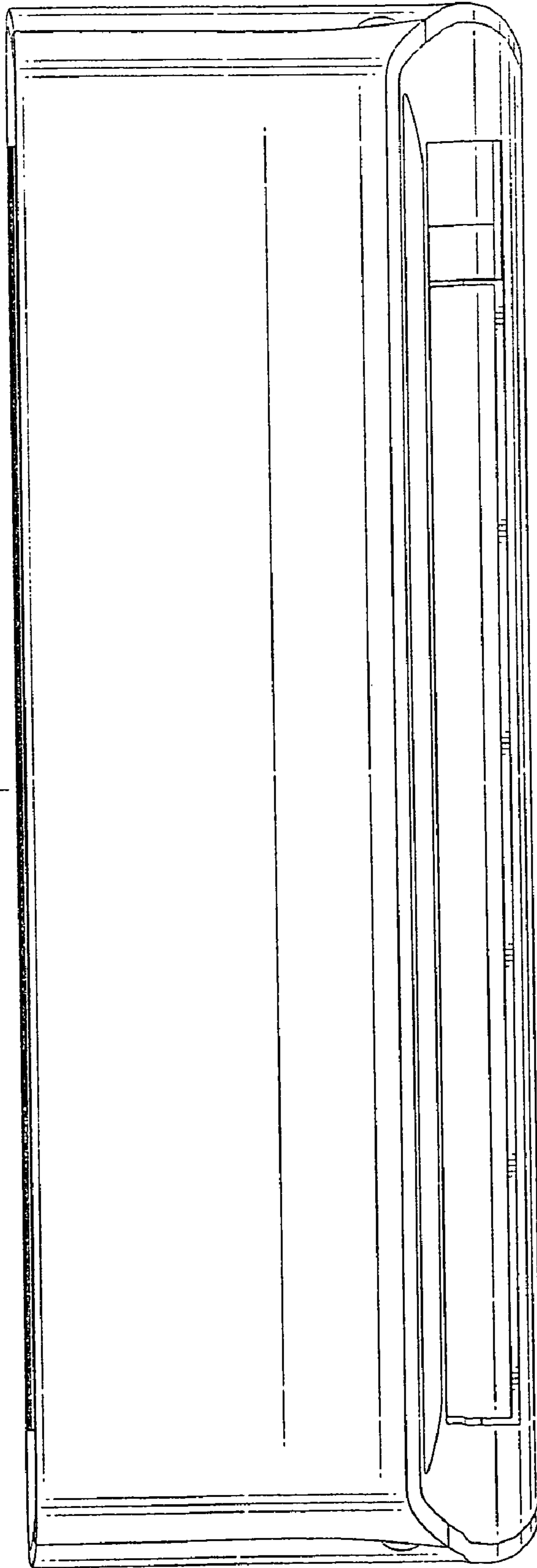


Fig. 18

24 ←



← 24

Fig. 19

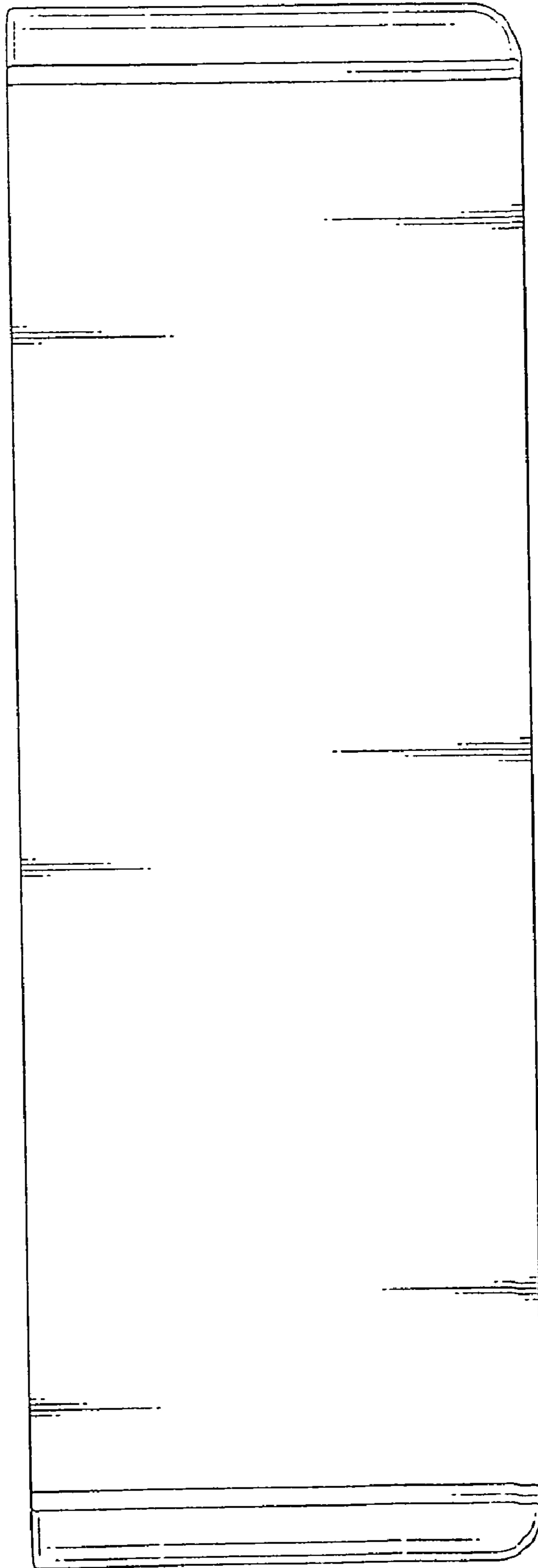


Fig. 20

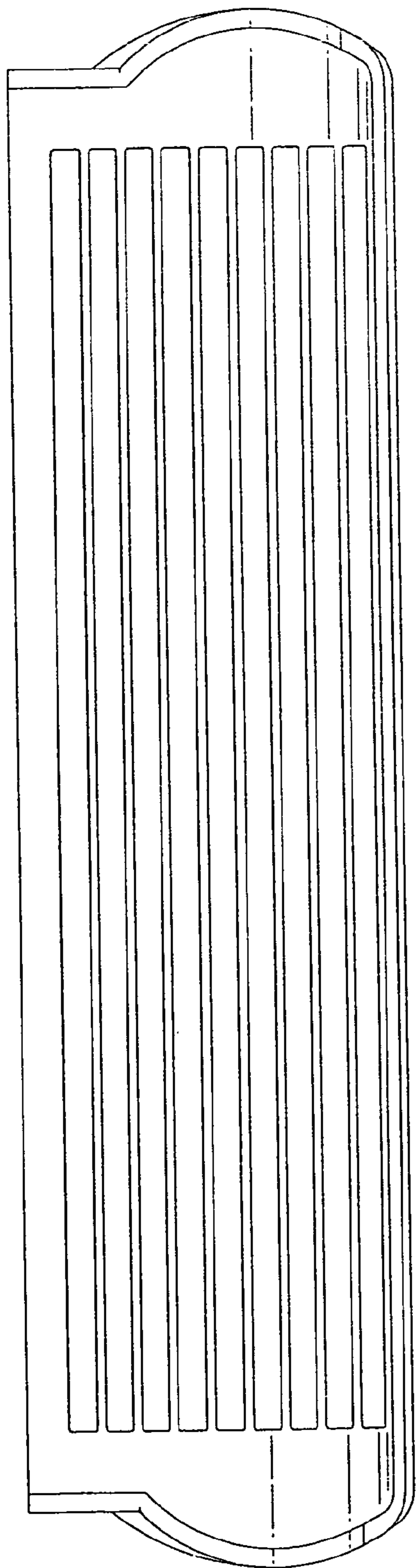


Fig. 21

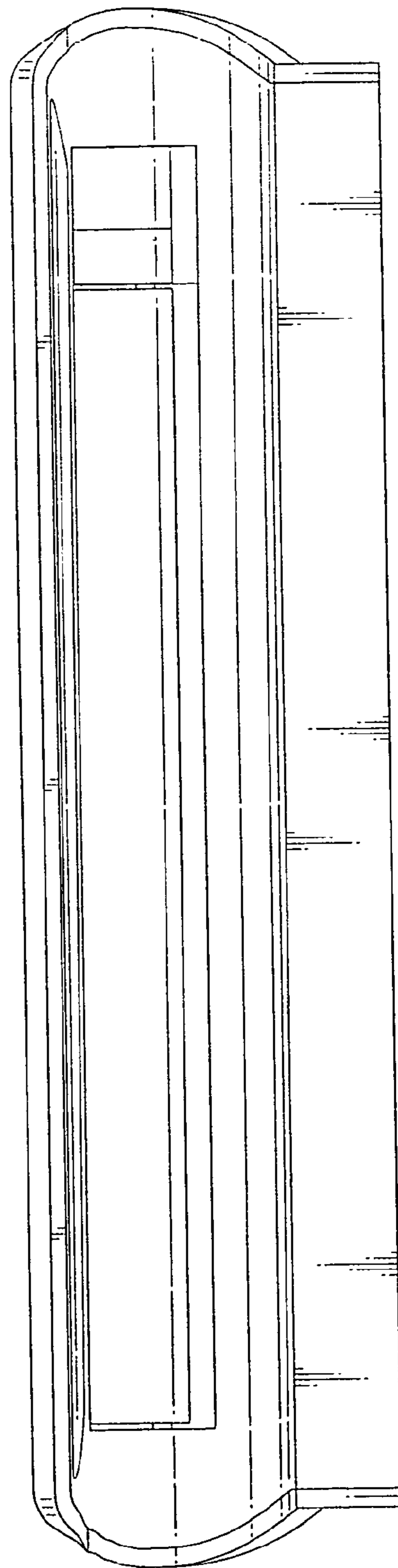


Fig. 24

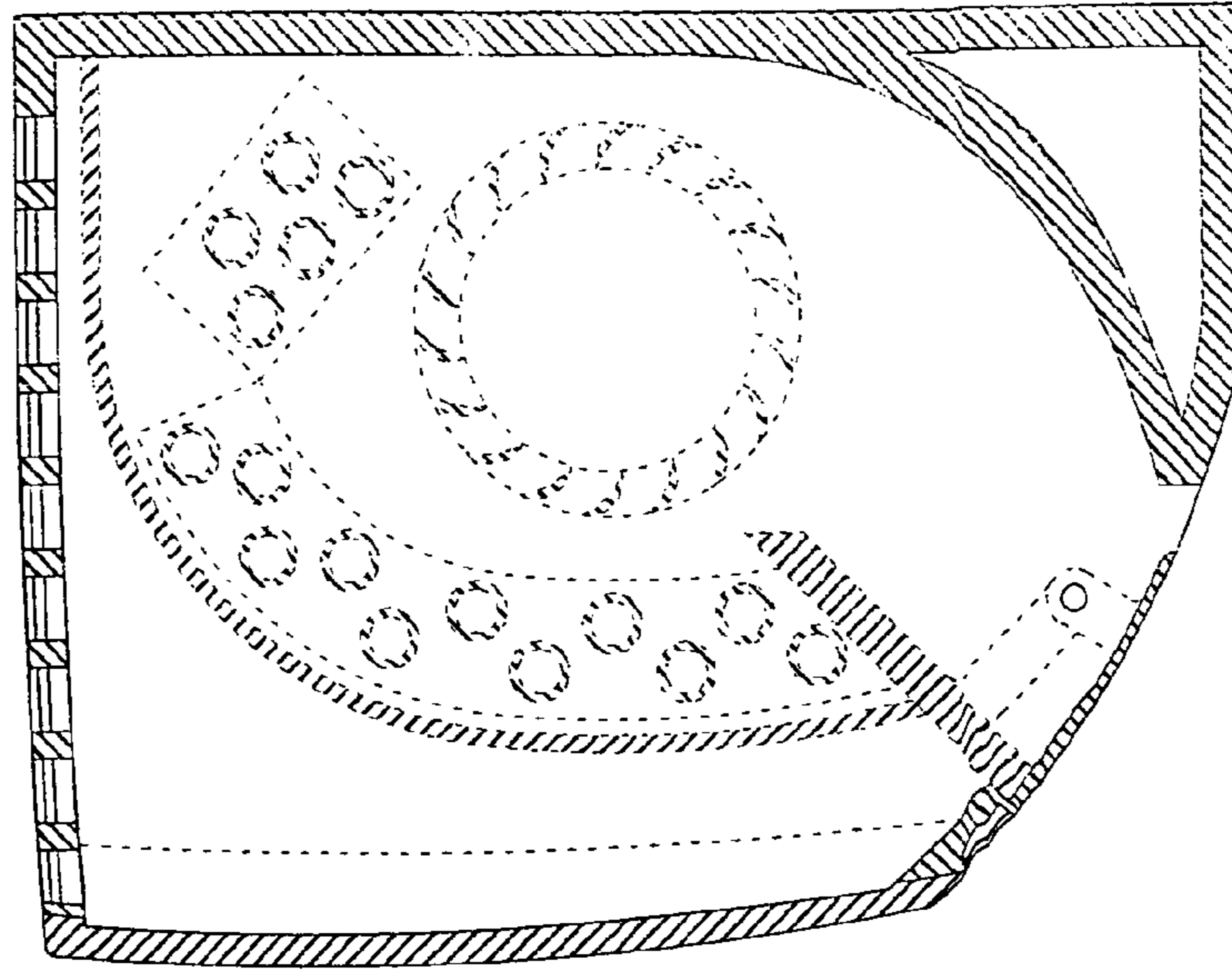


Fig. 23

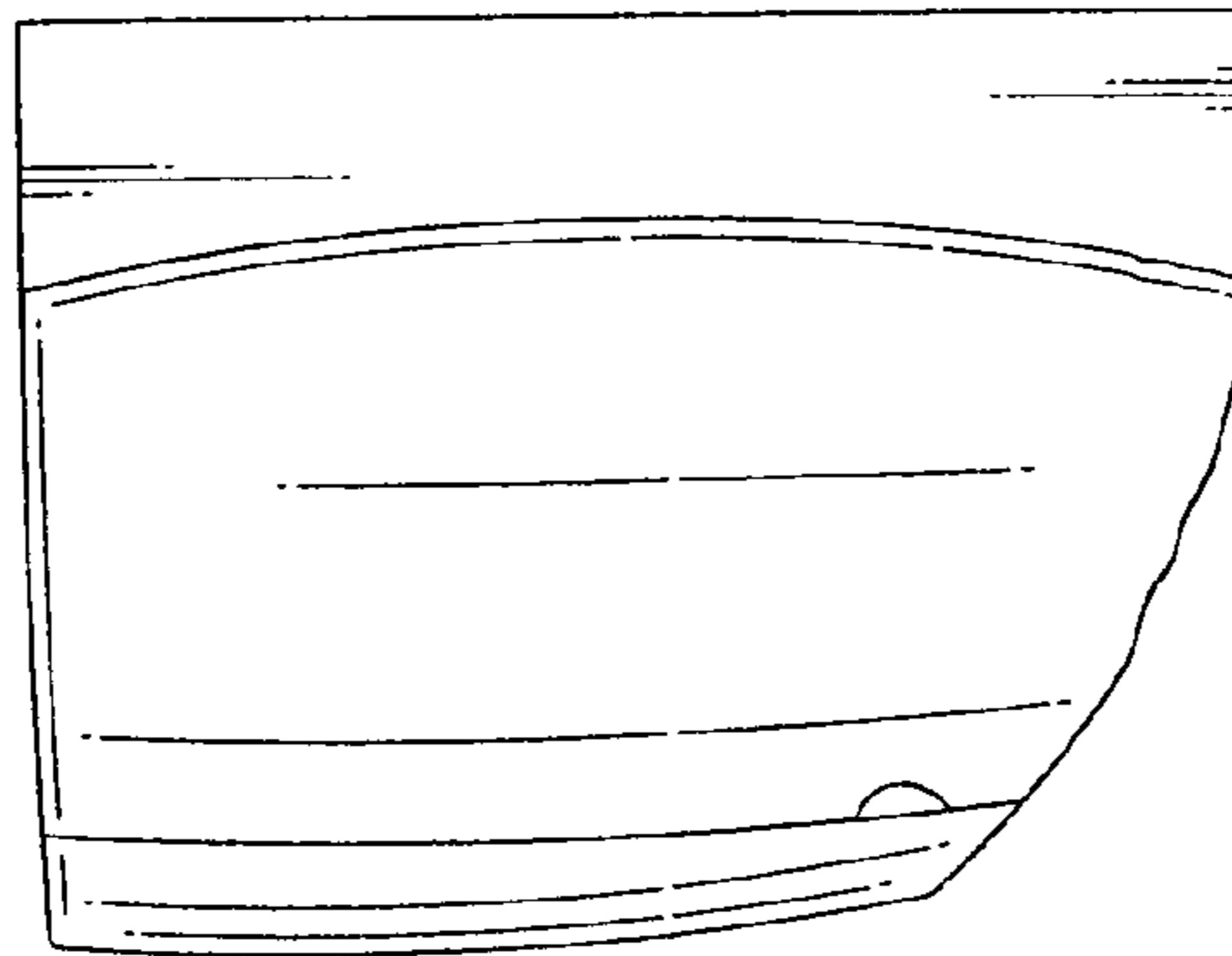


Fig. 22

