



US00D642239S

(12) **United States Design Patent**  
**Liao**

(10) **Patent No.:** **US D642,239 S**

(45) **Date of Patent:** **\*\* Jul. 26, 2011**

(54) **WATER SPRAYER**

(76) Inventor: **Seijin Liao**, Tainan (TW)

(\*\*) Term: **14 Years**

(21) Appl. No.: **29/383,407**

(22) Filed: **Jan. 18, 2011**

(51) **LOC (9) Cl.** ..... **23-01**

(52) **U.S. Cl.** ..... **D23/213; D23/226**

(58) **Field of Classification Search** ..... D23/213,  
D23/223, 225, 226; D9/448, 440, 682, 685;  
239/525-526

See application file for complete search history.

(56) **References Cited**

**U.S. PATENT DOCUMENTS**

3,913,841	A	*	10/1975	Tada	.....	239/321
D387,129	S	*	12/1997	Shiao	.....	D23/226
D398,371	S	*	9/1998	Sundahl	.....	D23/226
D504,316	S	*	4/2005	Chien	.....	D9/448
D504,816	S	*	5/2005	Chien	.....	D9/448
D532,299	S	*	11/2006	Kuo	.....	D9/448
D572,339	S	*	7/2008	Georgel	.....	D23/223

D572,341	S	*	7/2008	Georgel	.....	D23/223
D573,227	S	*	7/2008	Mirazita et al.	.....	D23/226
D580,760	S	*	11/2008	Costa Quintas	.....	D9/448
D592,730	S	*	5/2009	Restive et al.	.....	D23/213
D615,156	S	*	5/2010	Cheng	.....	D23/226

\* cited by examiner

*Primary Examiner* — Robin Webster

(74) *Attorney, Agent, or Firm* — Alan Kamrath; Kamrath & Associates PA

(57) **CLAIM**

The ornamental design for a water sprayer, as shown and described.

**DESCRIPTION**

FIG. 1 is a perspective view of a water sprayer showing my design;

FIG. 2 is a front elevational view thereof;

FIG. 3 is a rear elevational view thereof;

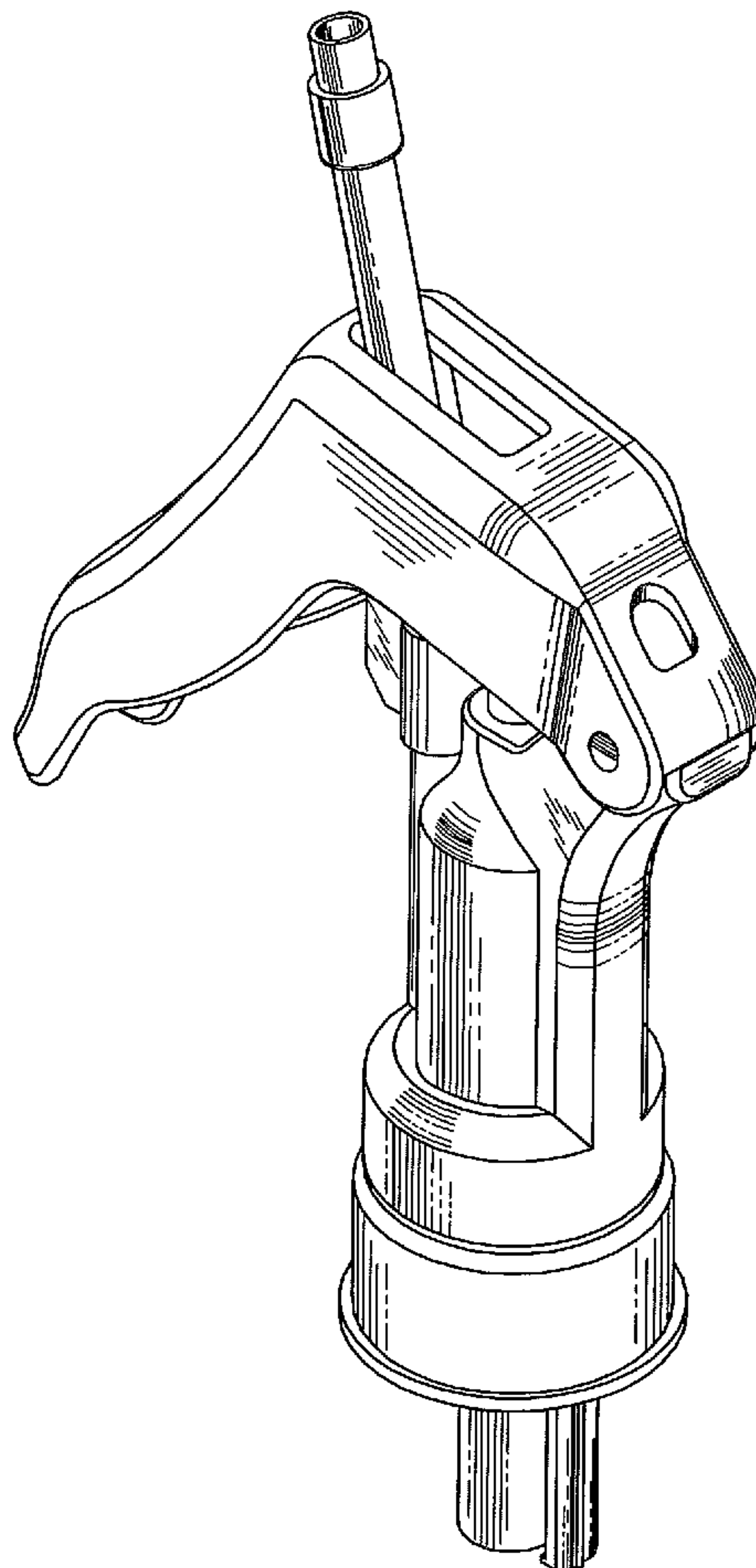
FIG. 4 is a left side elevational view thereof;

FIG. 5 is a right side elevational view thereof;

FIG. 6 is a top plan view thereof; and,

FIG. 7 is a bottom plan view thereof.

**1 Claim, 7 Drawing Sheets**



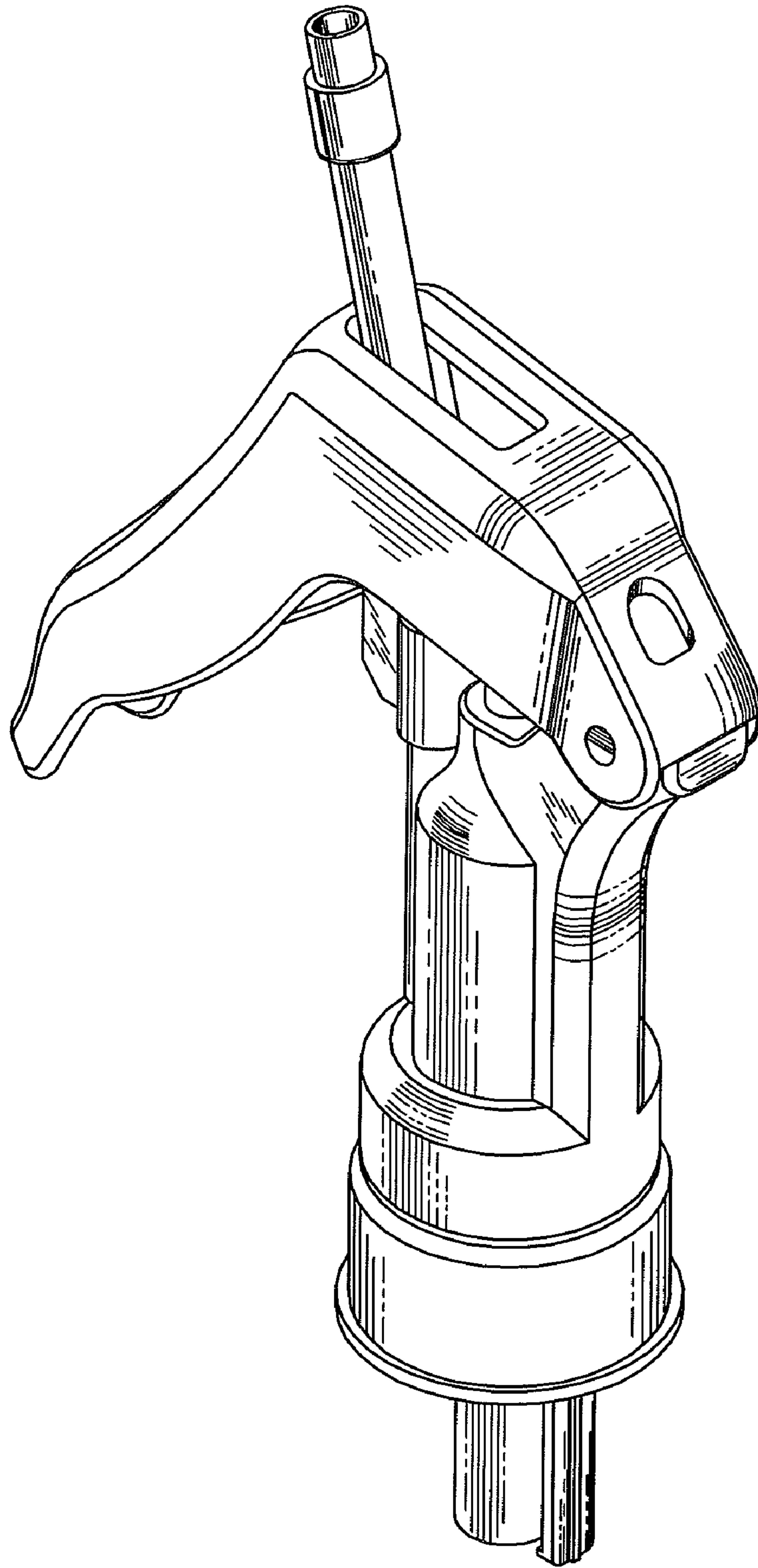


FIG.1

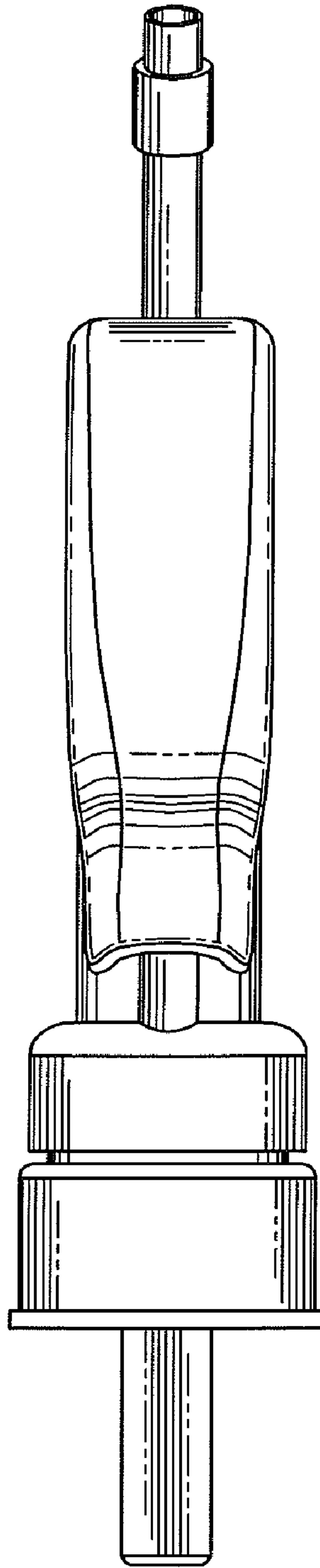


FIG. 2

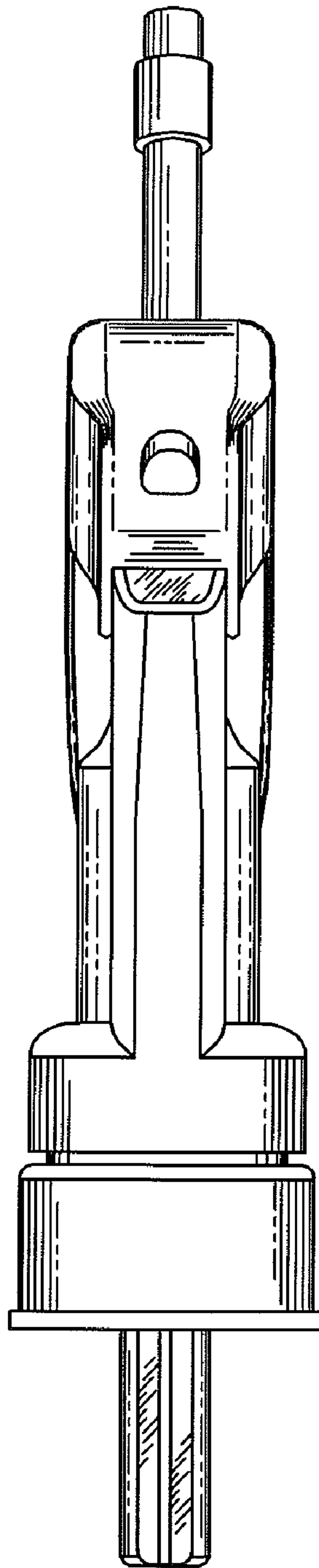


FIG. 3

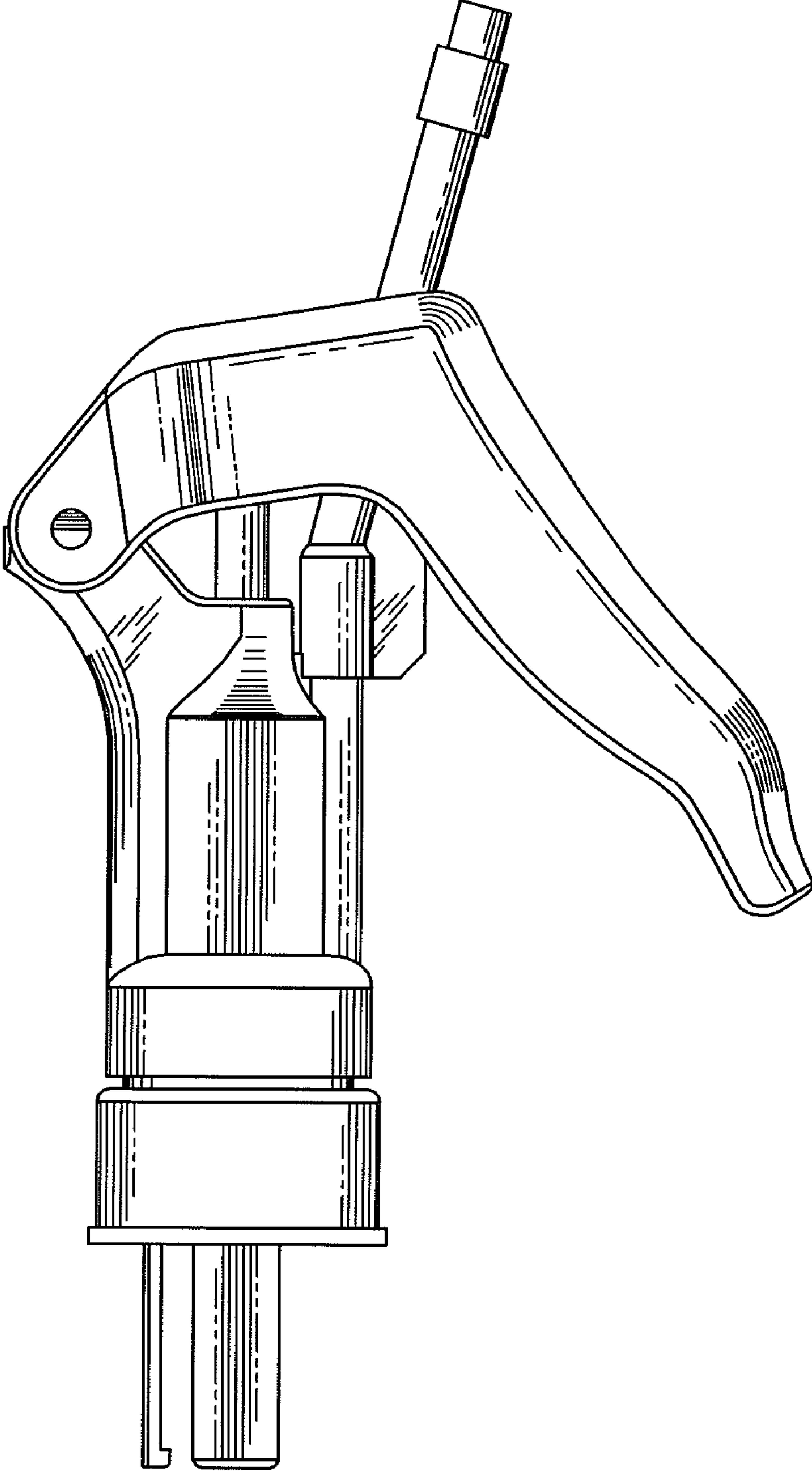


FIG. 4

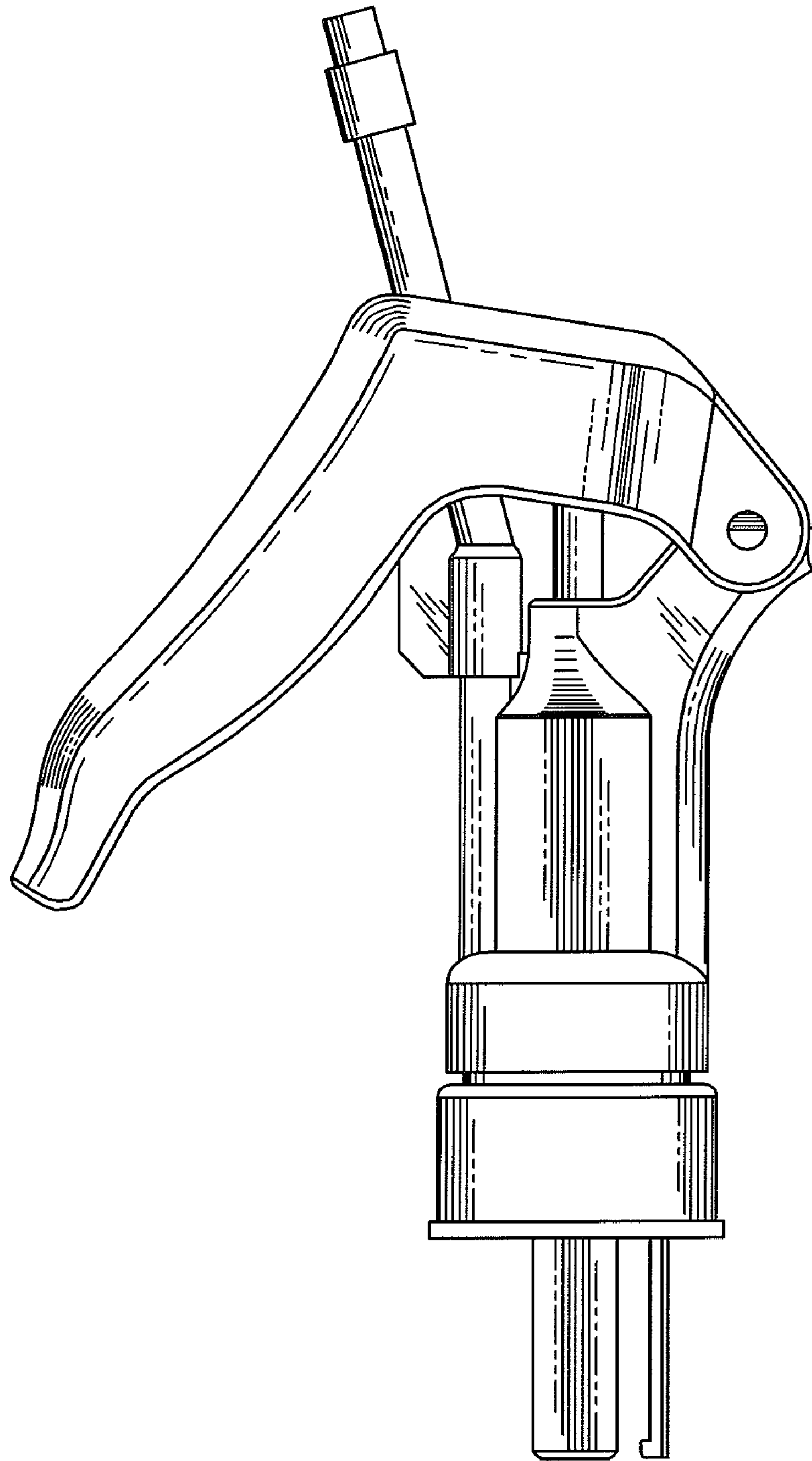


FIG. 5

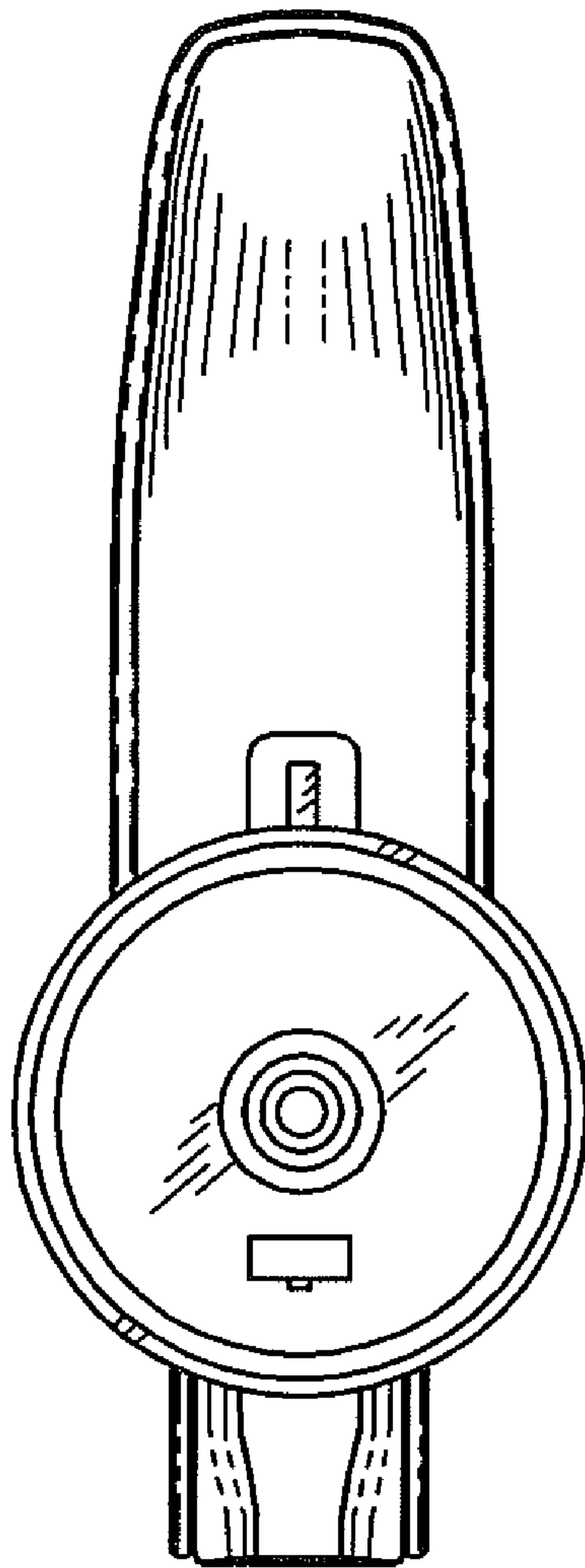


FIG. 6



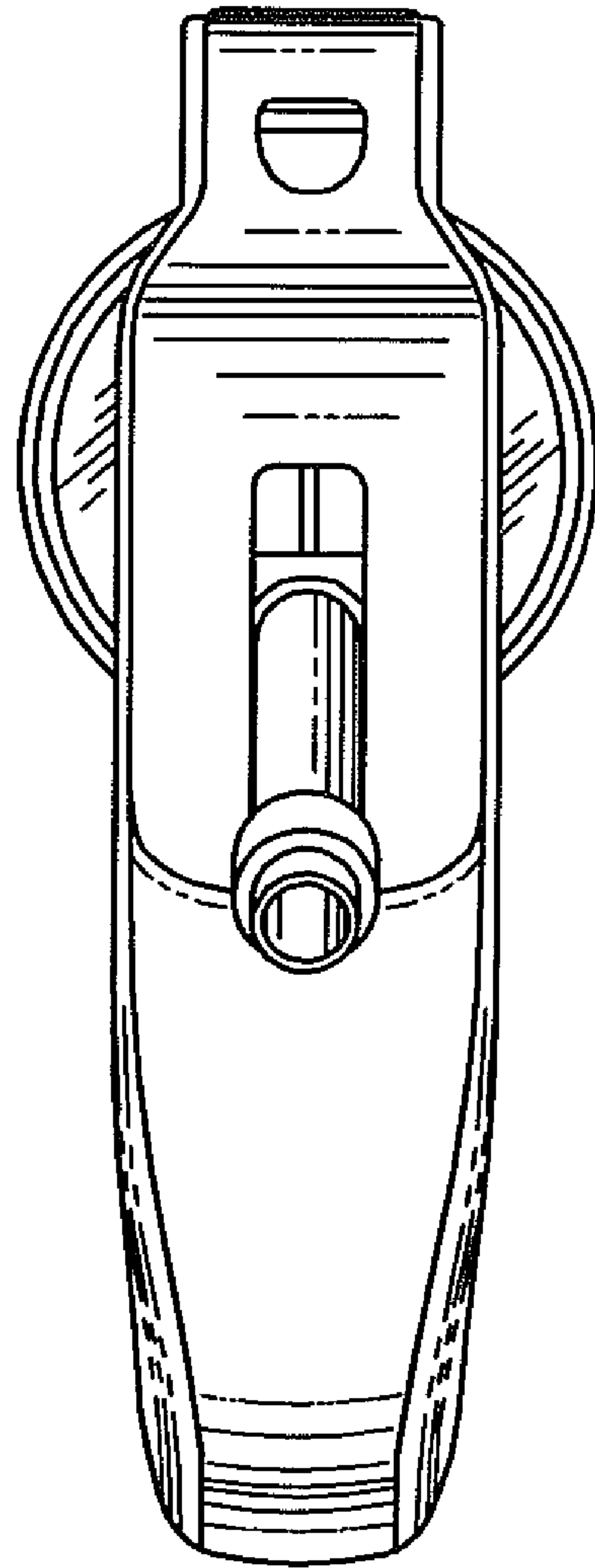


FIG. 7