



US00D642229S

(12) **United States Design Patent**
Shapiro et al.

(10) **Patent No.:** **US D642,229 S**
(45) **Date of Patent:** **** Jul. 26, 2011**

(54) **CAVITY OF A TOY**

(75) Inventors: **Ami Shapiro**, Granada Hills, CA (US);
Kristi Bluhm, Los Angeles, CA (US)

(73) Assignee: **MGA Entertainment, Inc.**, Van Nuys,
CA (US)

(**) Term: **14 Years**

(21) Appl. No.: **29/363,053**

(22) Filed: **Jun. 3, 2010**

(51) **LOC (9) Cl.** **21-01**

(52) **U.S. Cl.** **D21/658; D21/650**

(58) **Field of Classification Search** D11/157–158;
D21/576, 578–579, 584–585, 650, 658; 446/3,
446/72, 97, 268, 356, 368, 377, 484, 533,
446/578

See application file for complete search history.

(56) **References Cited**

U.S. PATENT DOCUMENTS

3,331,463	A *	7/1967	Kramer	180/8.6
4,216,612	A *	8/1980	Erickson et al.	446/290
4,629,440	A *	12/1986	McKittrick et al.	446/356
5,993,286	A	11/1999	Tacquard et al.		
D464,093	S *	10/2002	Weiser et al.	D21/650
6,652,352	B1 *	11/2003	MacArthur et al.	446/356
D555,213	S *	11/2007	Bowen et al.	D21/650
D576,217	S *	9/2008	Pasko	D21/533

OTHER PUBLICATIONS

Printout from website, Jun. 3, 2010, Hexbug Micro Robotic Crea-
tures, <http://www.hexbug.com>.

Printout from website, Jun. 3, 2010, Original—Hexbug, <http://www.hexbug.com/original>.

Printout from website, Jun. 3, 2010, Inchworm—Hexbug, <http://www.hexbug.com/inchworm>.

Printout from website, Jun. 3, 2010, Crab—Hexbug, <http://www.hexbug.com/crab>.

Printout from website, Jun. 3, 2010, Ant—Hexbug, <http://www.hexbug.com/ant>.

Printout from website, Jun. 3, 2010, Nano—Hexbug, <http://www.hexbug.com/nano>.

* cited by examiner

Primary Examiner — Sandra Morris

(74) *Attorney, Agent, or Firm* — Greenberg Traurig, LLP

(57) **CLAIM**

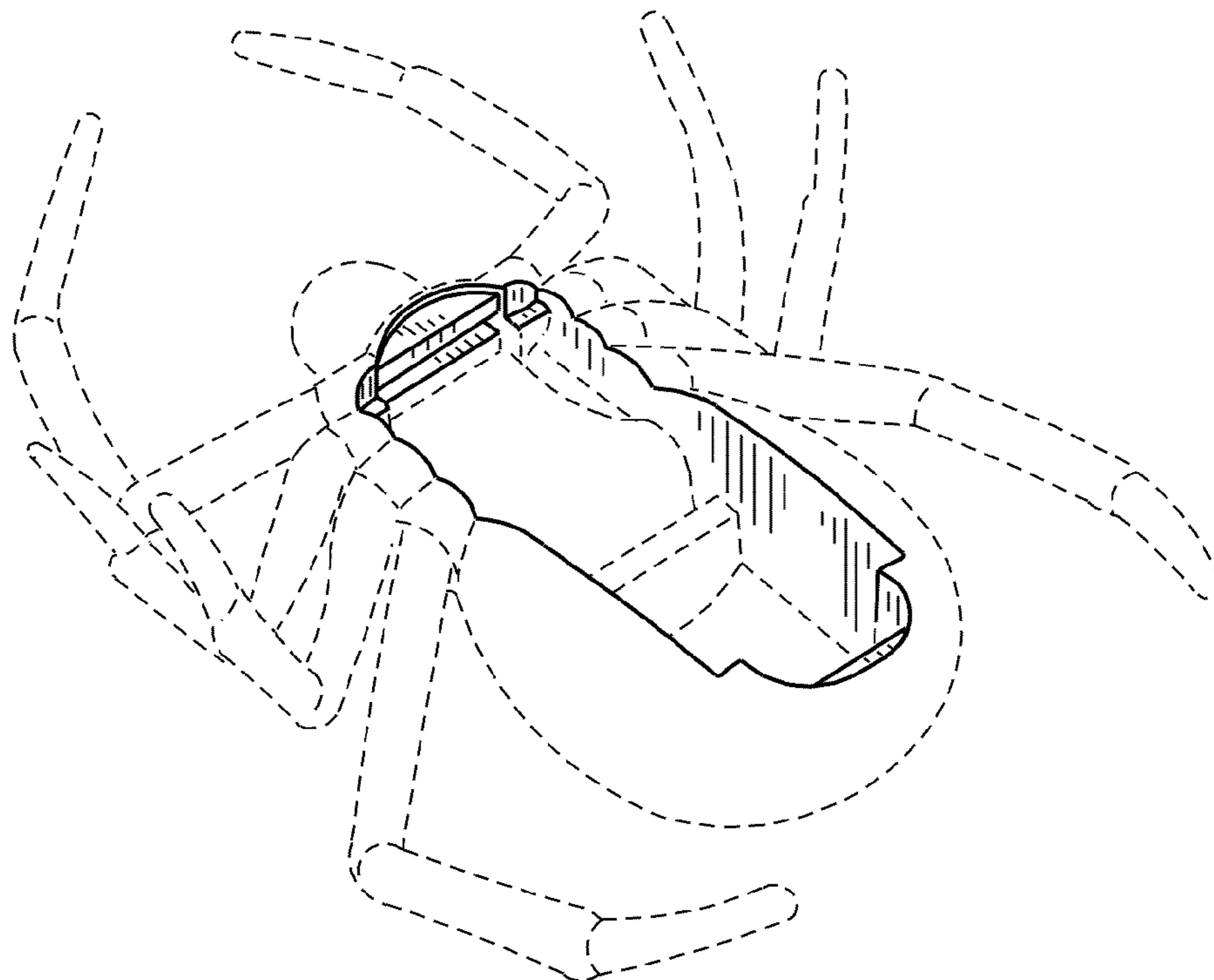
What is claimed is the ornamental for a cavity of a toy, as shown and described.

DESCRIPTION

FIG. 1 is a first perspective view of a cavity of a toy;
FIG. 2 is a second perspective view of the cavity; and,
FIG. 3 is a top view of the cavity.

The dotted lines are provided for illustrative purposes only
and form no part of the design claimed.

1 Claim, 2 Drawing Sheets



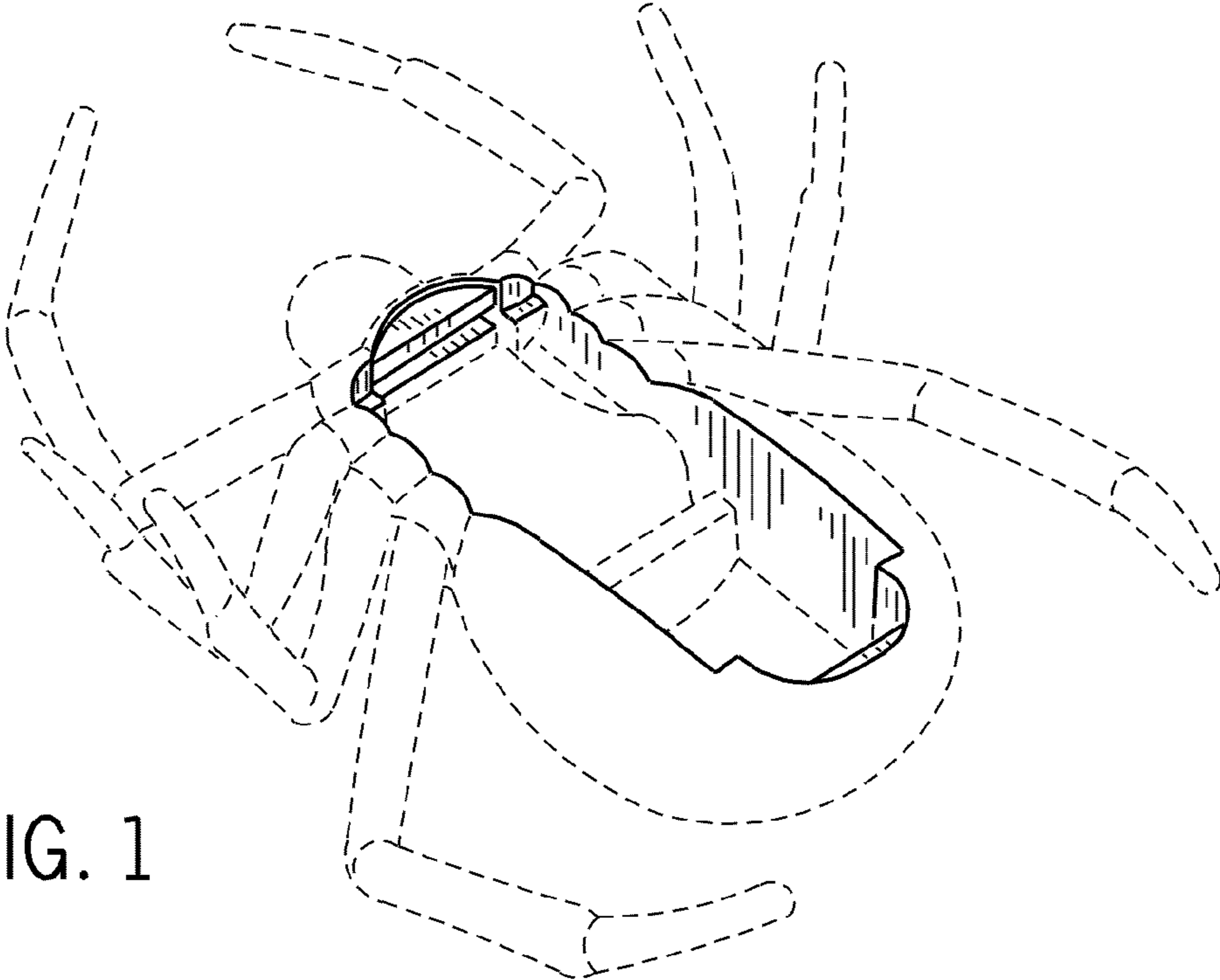


FIG. 1

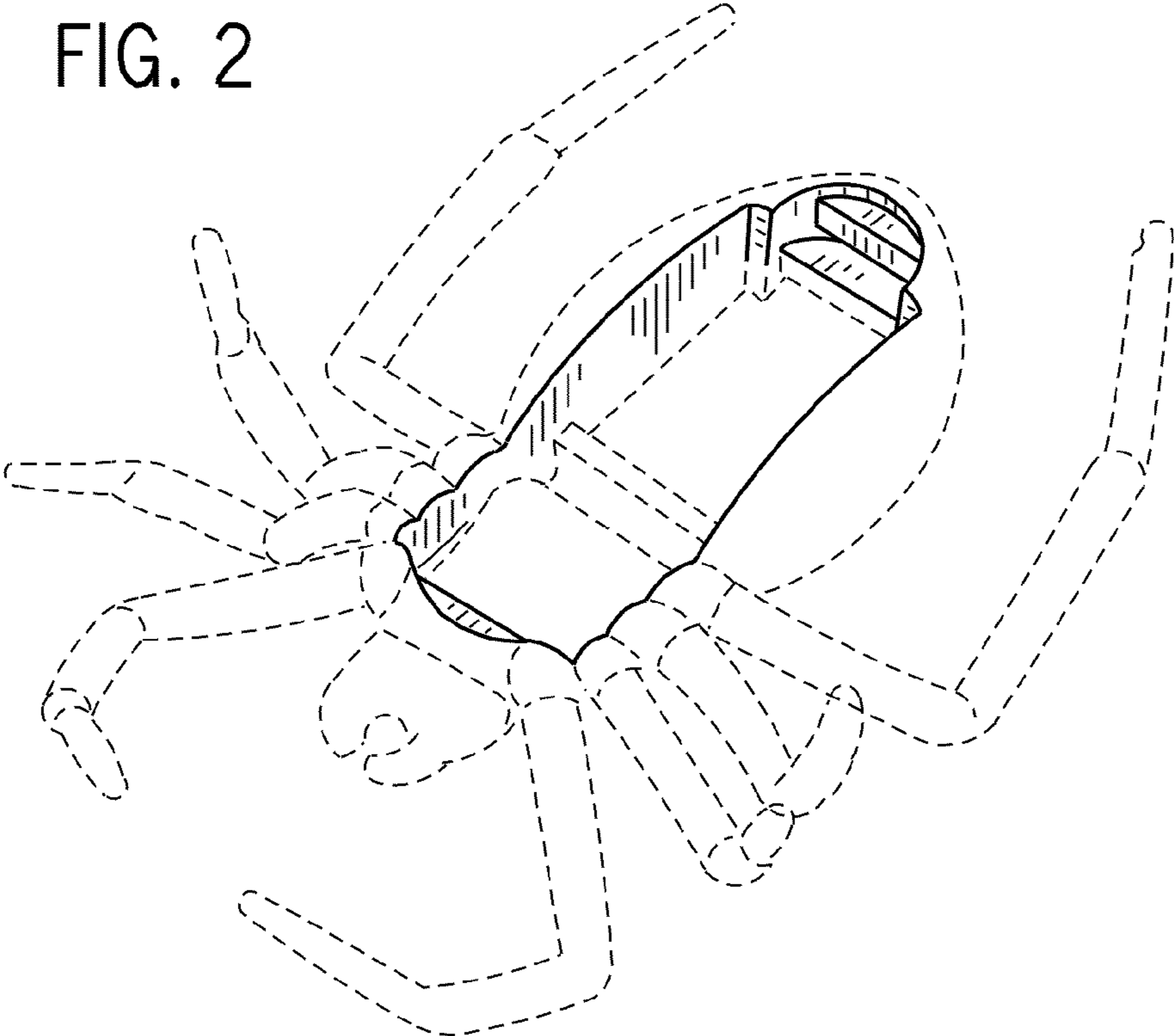


FIG. 2

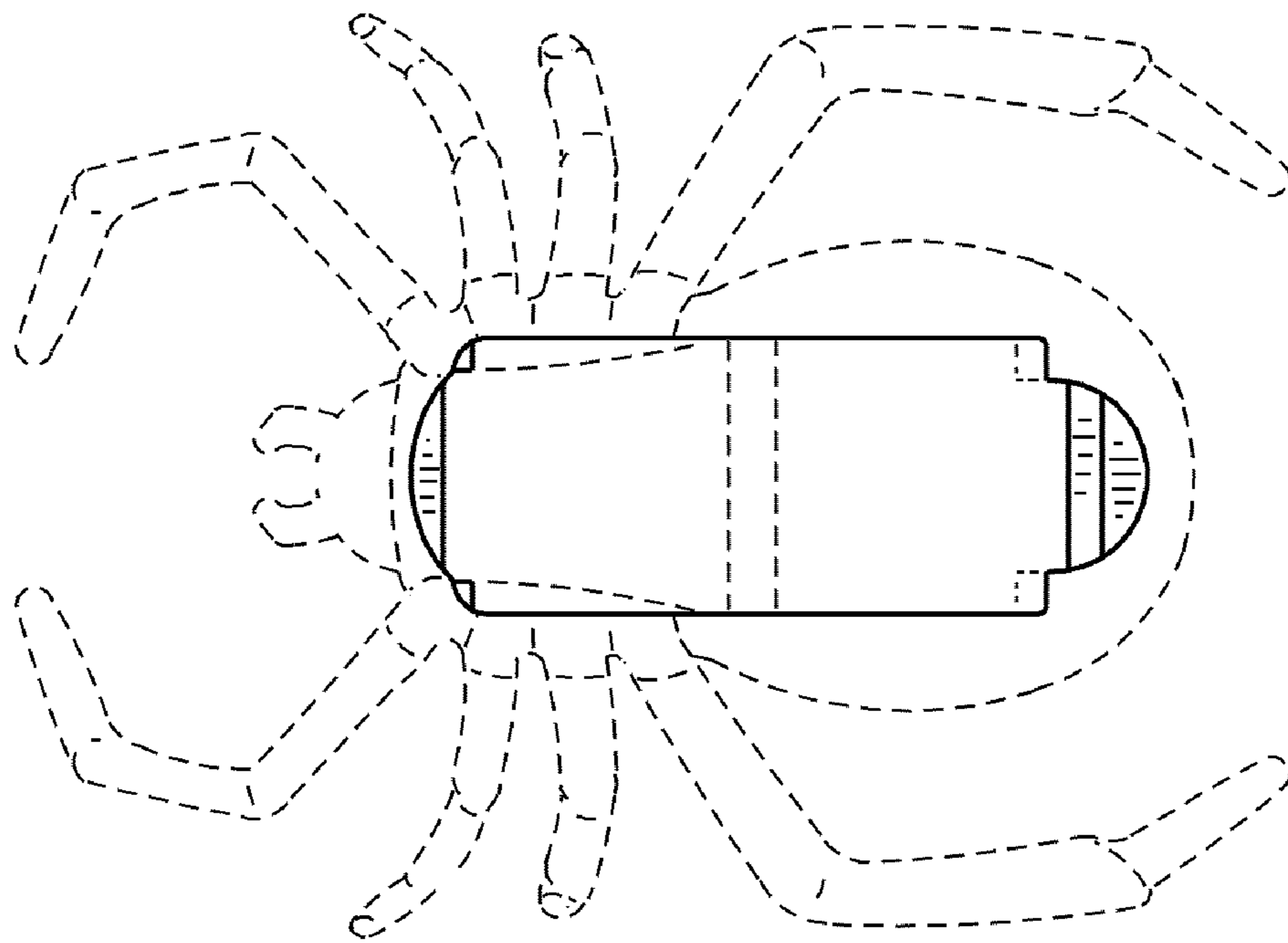


FIG. 3