

US00D642228S

(12) **United States Design Patent**
Torre et al.

(10) **Patent No.:** **US D642,228 S**
(45) **Date of Patent:** **** Jul. 26, 2011**

(54) **AIR GUN STOCK**

(75) Inventors: **Victor Tresserras Torre**, Sant Boi de Llobregat (ES); **Julian Arnedo**, San Boi de Llobregat (ES)

(73) Assignee: **Industrias el Gamo, S.A.**, Barcelona (ES)

(**) Term: **14 Years**

(21) Appl. No.: **29/335,445**

(22) Filed: **Apr. 15, 2009**

(30) **Foreign Application Priority Data**

Mar. 11, 2009 (WO) 485771701

(51) **LOC (9) Cl.** **21-01**

(52) **U.S. Cl.** **D21/573**

(58) **Field of Classification Search** D21/333, D21/401, 461, 514, 567, 568, 570-575; D22/100, D22/101, 103, 104, 105, 107, 108-110; D14/418; 446/23, 182, 192, 401, 403, 405-407, 473, 446/475; 124/16, 26, 27, 28, 29, 54, 66, 124/73-77, 82; 222/78, 79; 42/54, 57, 58, 42/71.01, 71.02, 71.03, 72, 73, 74, 75.03, 42/105, 124

See application file for complete search history.

(56) **References Cited**

U.S. PATENT DOCUMENTS

2,753,642 A * 7/1956 Sullivan 42/71.01
3,830,003 A * 8/1974 Clerke 42/75.03

4,385,464 A * 5/1983 Casull 42/75.03
D297,855 S * 9/1988 Ruger et al. D22/108
5,711,102 A * 1/1998 Plaster et al. 42/71.01
D391,334 S * 2/1998 Plaster et al. D22/108
D443,912 S * 6/2001 Henderson D22/108
6,301,817 B1 * 10/2001 Hogue et al. 42/71.01
D551,312 S * 9/2007 Al-Mulla D22/103
D590,907 S * 4/2009 Barnett D22/107
7,523,579 B2 * 4/2009 Al-Mulla 42/71.01
D614,717 S * 4/2010 Salva D22/108
D614,723 S * 4/2010 Bentley D22/109

* cited by examiner

Primary Examiner — Cynthia M Chin

(74) *Attorney, Agent, or Firm* — Kilpatrick Townsend & Stockton LLP

(57) **CLAIM**

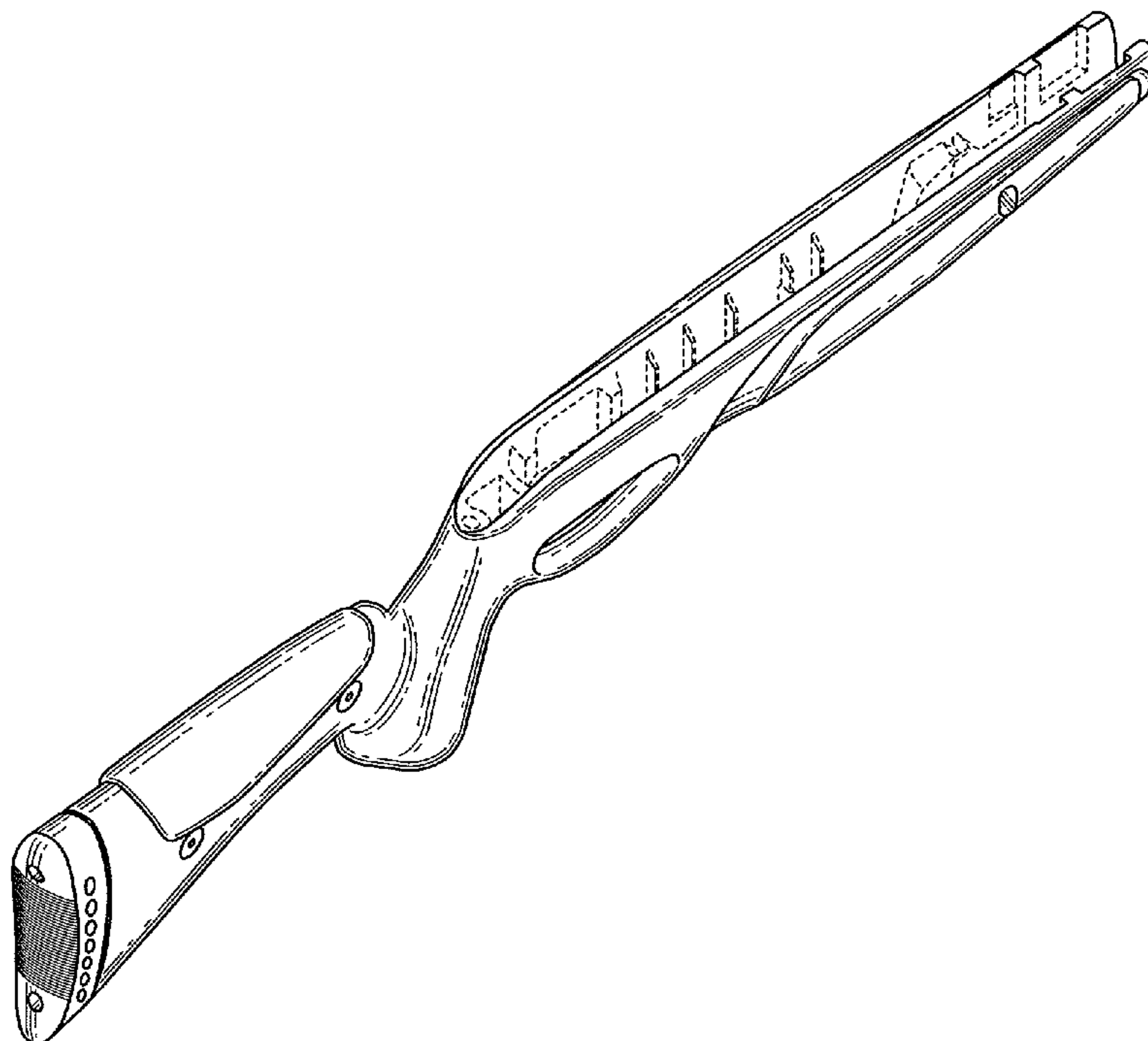
The ornamental design for air gun stock, as shown and described.

DESCRIPTION

FIG. 1 is a perspective view of an air gun stock showing my new design;
FIG. 2 is a right side plan view thereof;
FIG. 3 is a left side plan view thereof;
FIG. 4 is a top plan view thereof;
FIG. 5 is a bottom plan view thereof;
FIG. 6 is a front elevational view; and,
FIG. 7 is a rear elevational view.

The portions of the article shown in broken/dashed lines form no part of the claimed design.

1 Claim, 4 Drawing Sheets



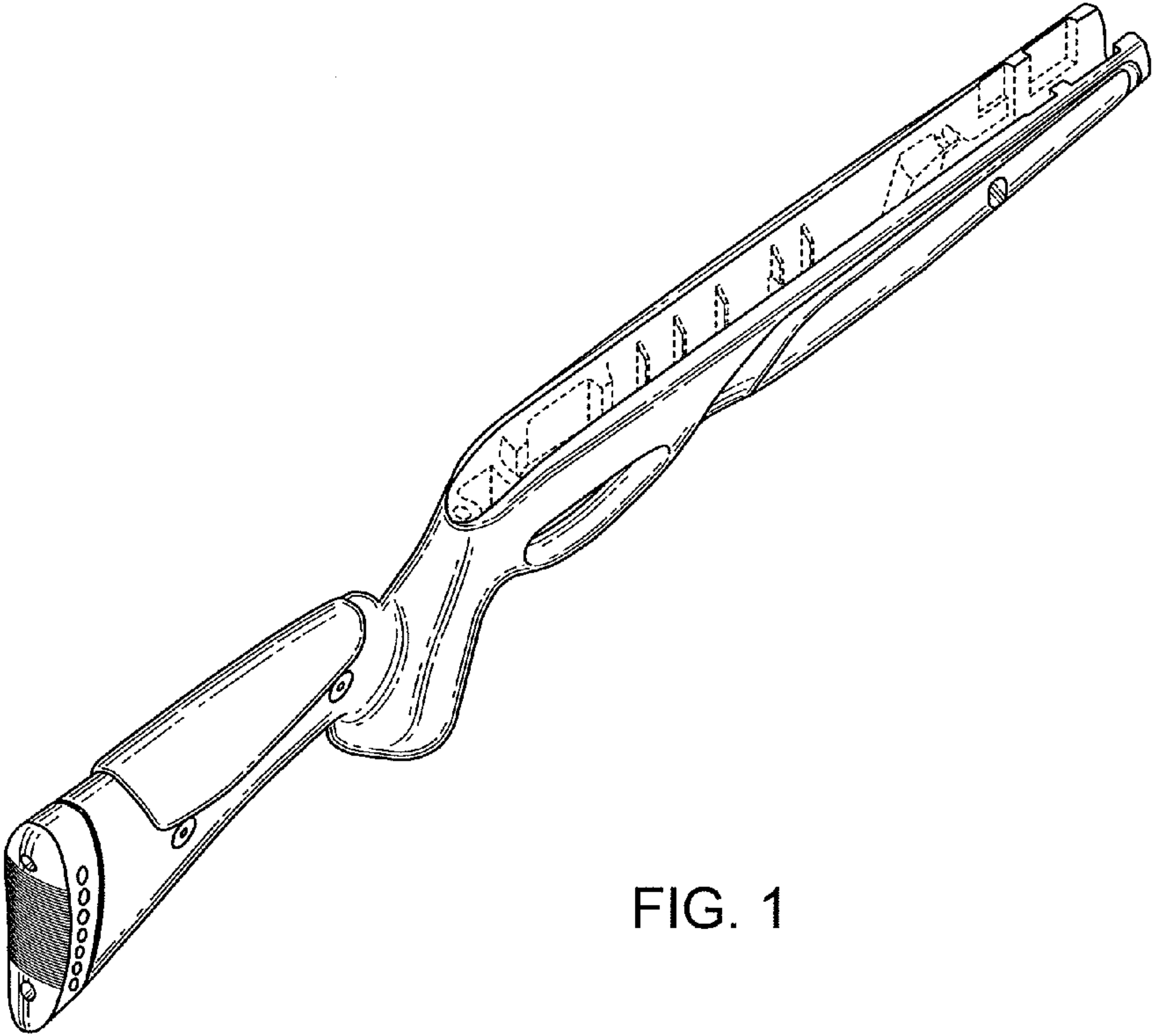


FIG. 1

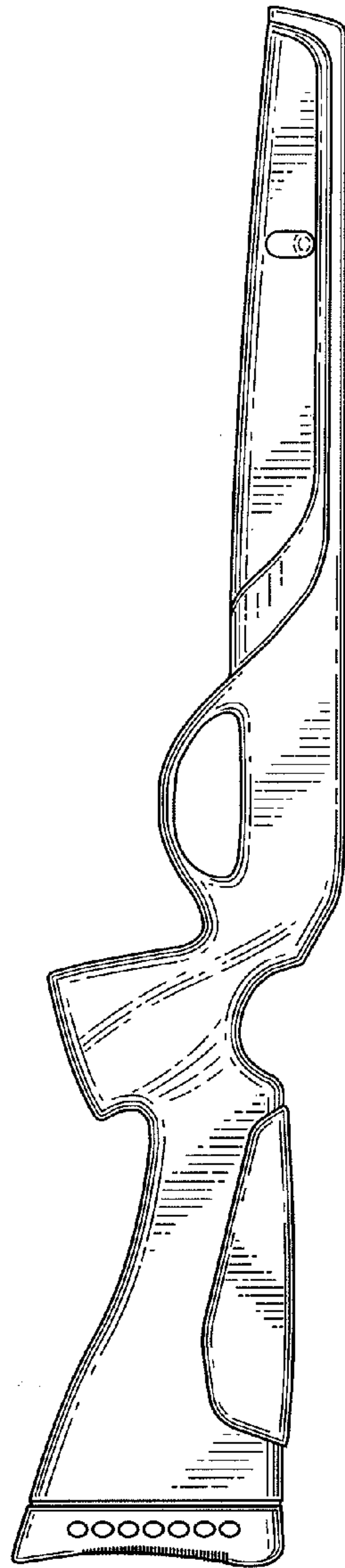


FIG. 2

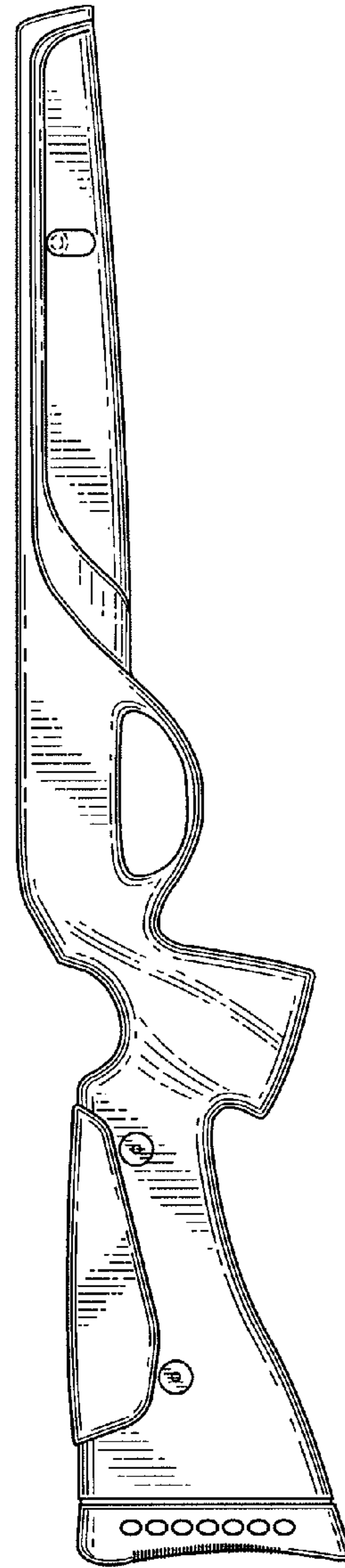


FIG. 3

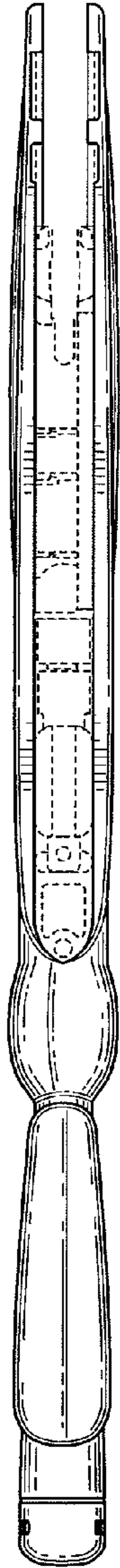


FIG. 4

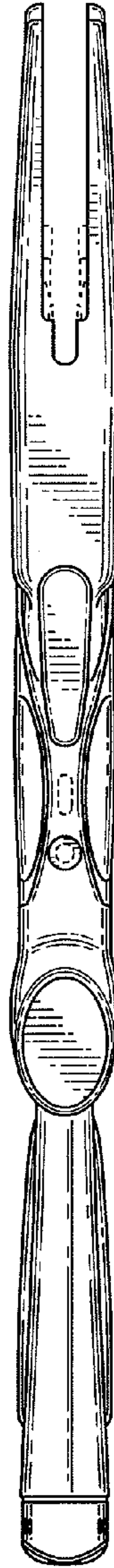


FIG. 5

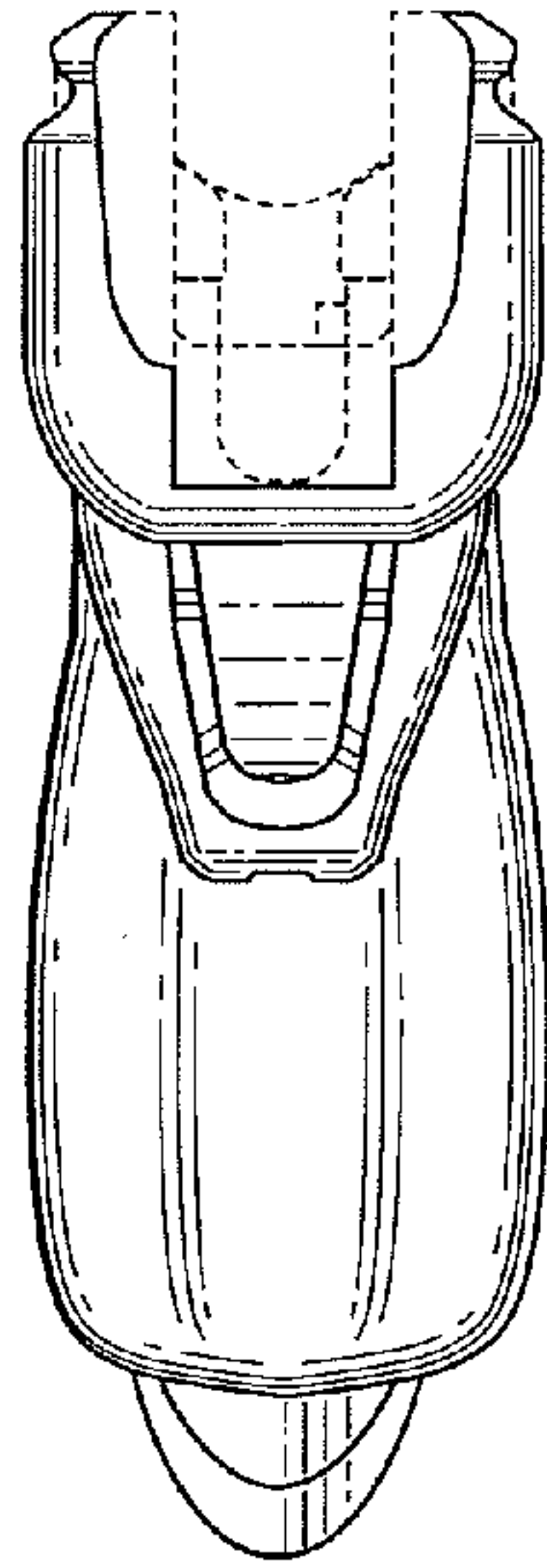


FIG. 6

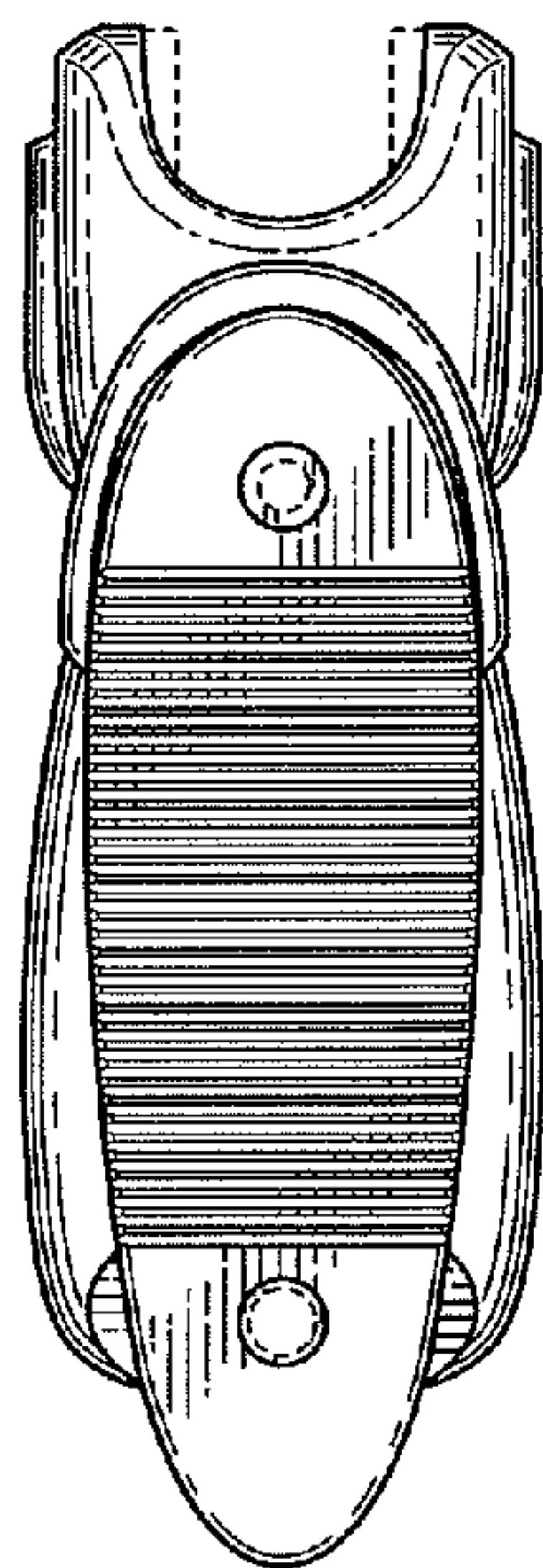


FIG. 7