



US00D642222S

(12) **United States Design Patent**
Pezzoni et al.

(10) **Patent No.:** **US D642,222 S**
(45) **Date of Patent:** **** Jul. 26, 2011**

(54) **FOLDABLE SUPPORT FOR STEERING
WHEELS FOR ELECTRONIC GAMES**

(75) Inventors: **Sergio Pezzoni**, Robecco S/N (IT);
Silvia Lorandi, Robecco S/N (IT)

(73) Assignee: **MGM Giorgi S.p.A.**, S.Stefano Ticino
(IT)

(**) Term: **14 Years**

(21) Appl. No.: **29/371,177**

(22) Filed: **Nov. 15, 2010**

(30) **Foreign Application Priority Data**

May 18, 2010 (EM) 001214928

(51) **LOC (9) Cl.** **21-01**

(52) **U.S. Cl.** **D21/333**

(58) **Field of Classification Search** D21/324,
D21/328, 333, 385, 477, 566; D14/399-402,
D14/412, 414, 416, 432; 273/148 B, 449,
273/441, 442; 463/1, 29-35, 46, 47; 345/156,
345/161; 434/45, 46

See application file for complete search history.

(56) **References Cited**

U.S. PATENT DOCUMENTS

3,428,312 A * 2/1969 Valentine 482/123
5,921,899 A * 7/1999 Rose 482/112
6,083,106 A * 7/2000 McDowell 463/46

6,568,334 B1 * 5/2003 Gaudette et al. 108/43
D497,365 S * 10/2004 Hussaini et al. D14/414
D514,627 S * 2/2006 Merrill et al. D21/324
D544,923 S * 6/2007 Brase et al. D21/326
D615,596 S * 5/2010 Bik et al. D21/333
D633,912 S * 3/2011 Llopis Vano et al. D14/413
D637,656 S * 5/2011 Brault et al. D21/333

* cited by examiner

Primary Examiner — Prabhakar Deshmukh

(74) *Attorney, Agent, or Firm* — Modiano & Associati;
Albert Josif; Daniel O'Byrne

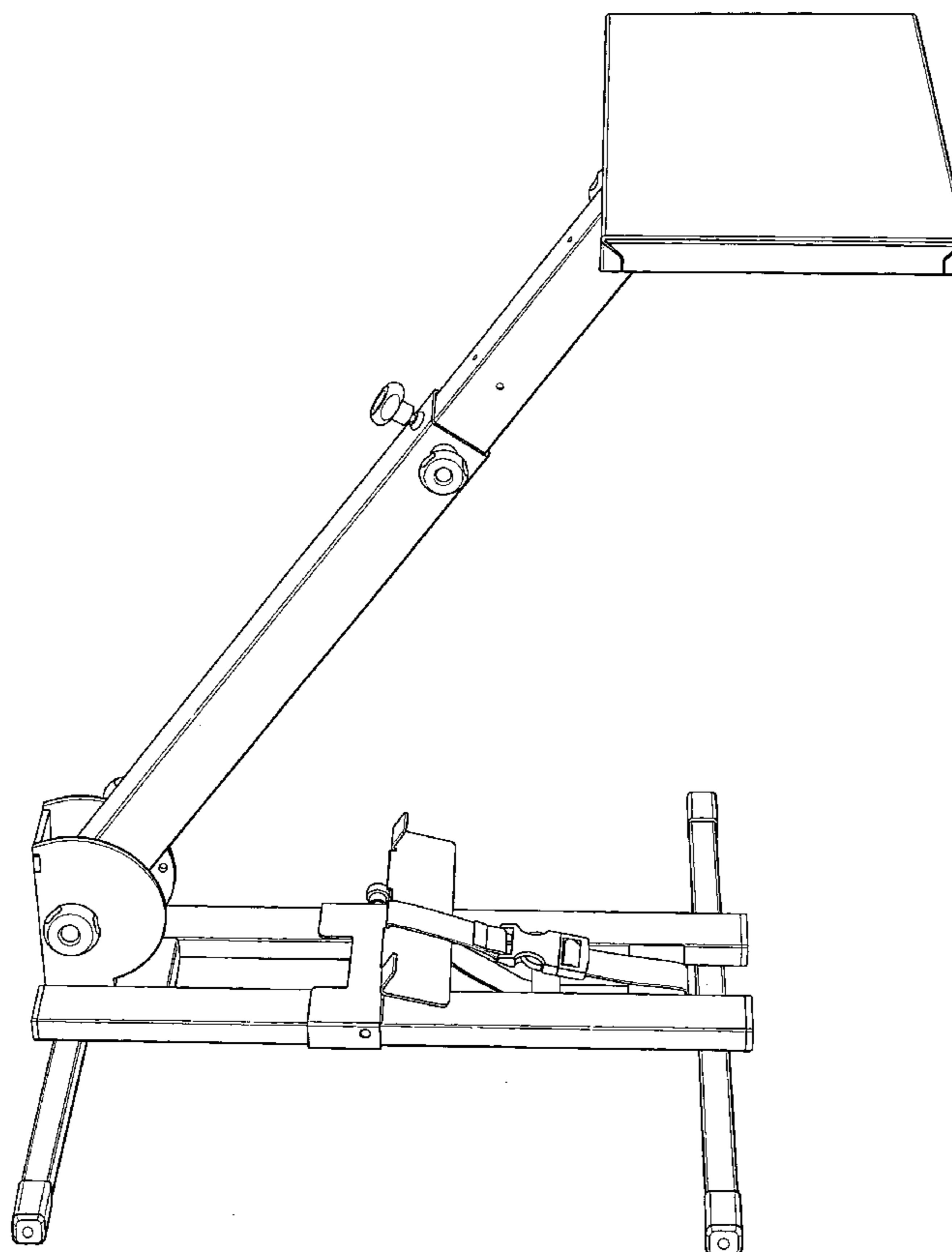
(57) **CLAIM**

The ornamental design for a “foldable support for steering wheels for electronic games”, as shown and described.

DESCRIPTION

FIG. 1 is a perspective view of a foldable support for steering wheels for electronic games showing our new design;
FIG. 2 is a front elevational view thereof;
FIG. 3 is a rear elevational view thereof;
FIG. 4 is a left side elevational view thereof, the right side elevational view being a mirror image thereof;
FIG. 5 is a top plan view thereof;
FIG. 6 is a bottom plan view thereof; and,
FIG. 7 is a perspective view thereof, shown in folded position.

1 Claim, 7 Drawing Sheets



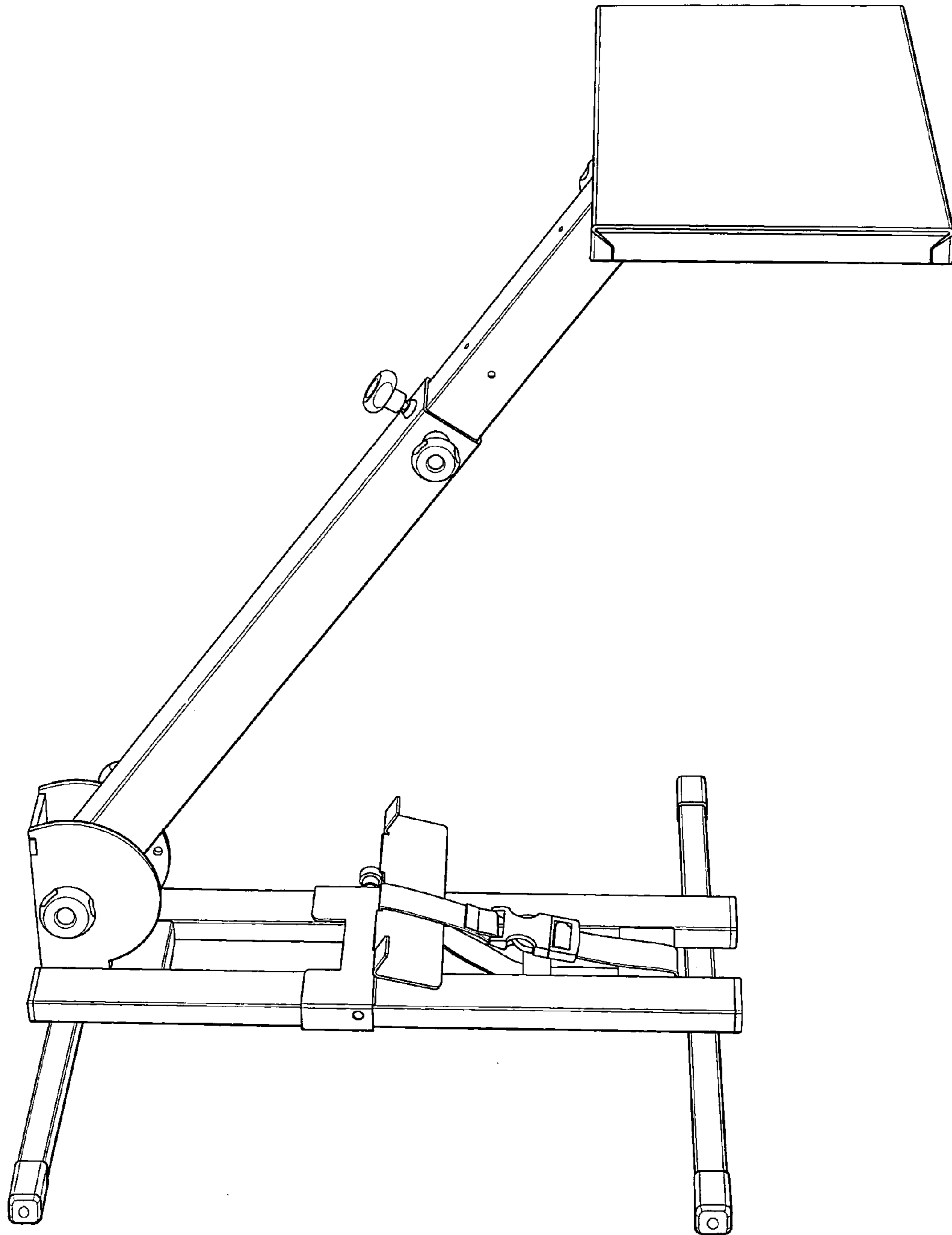


Fig. 1

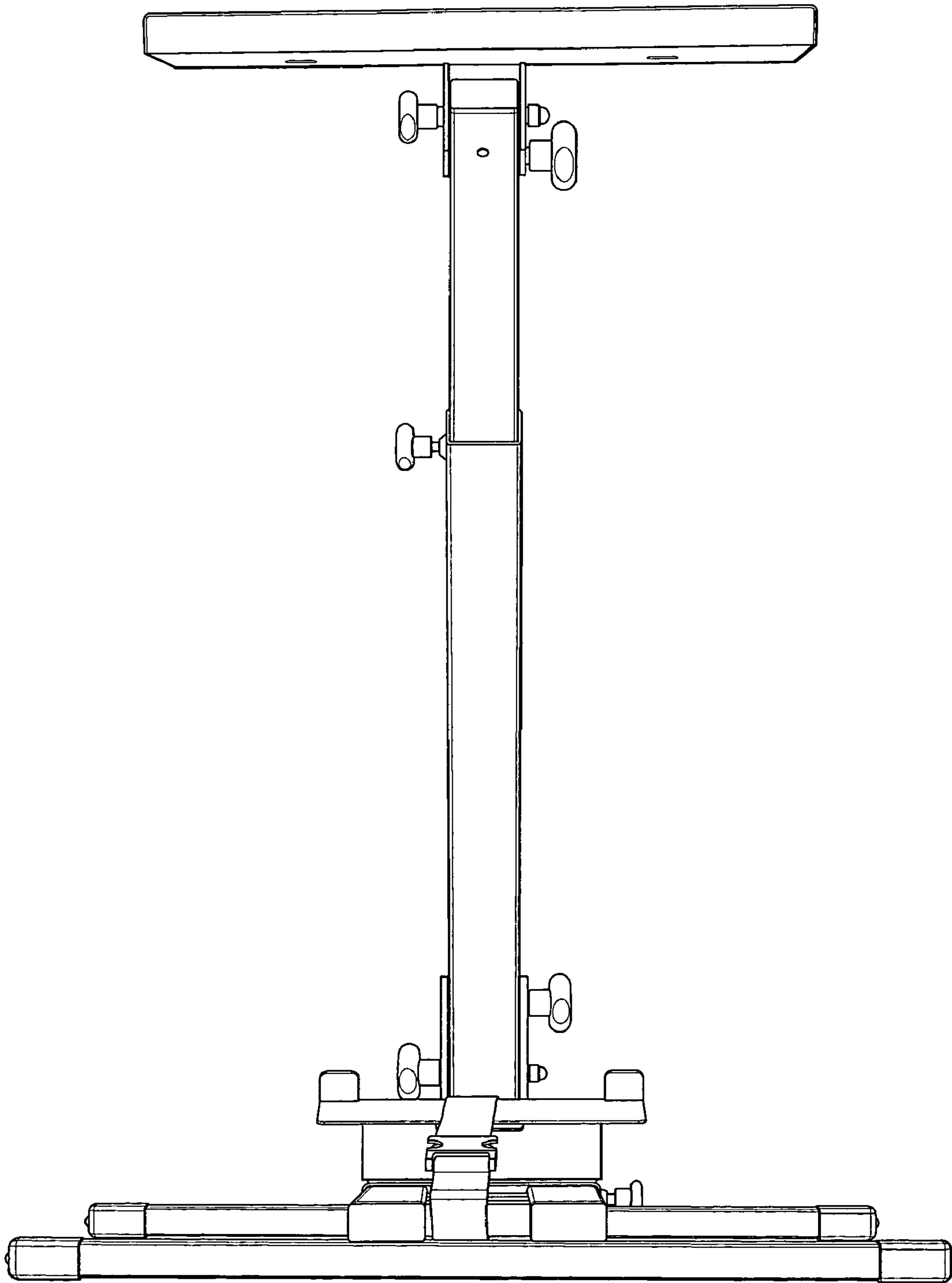


Fig. 2

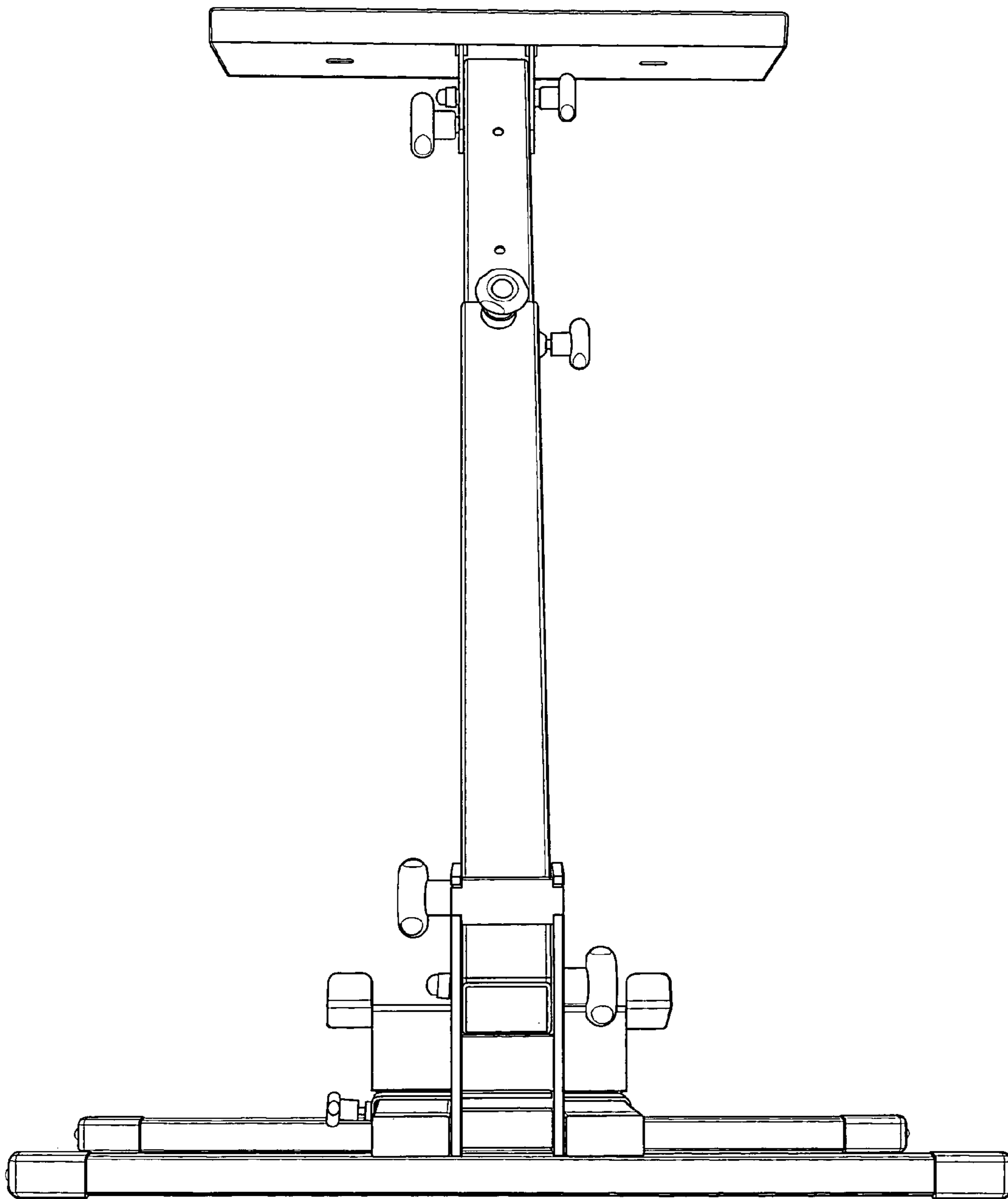


Fig. 3

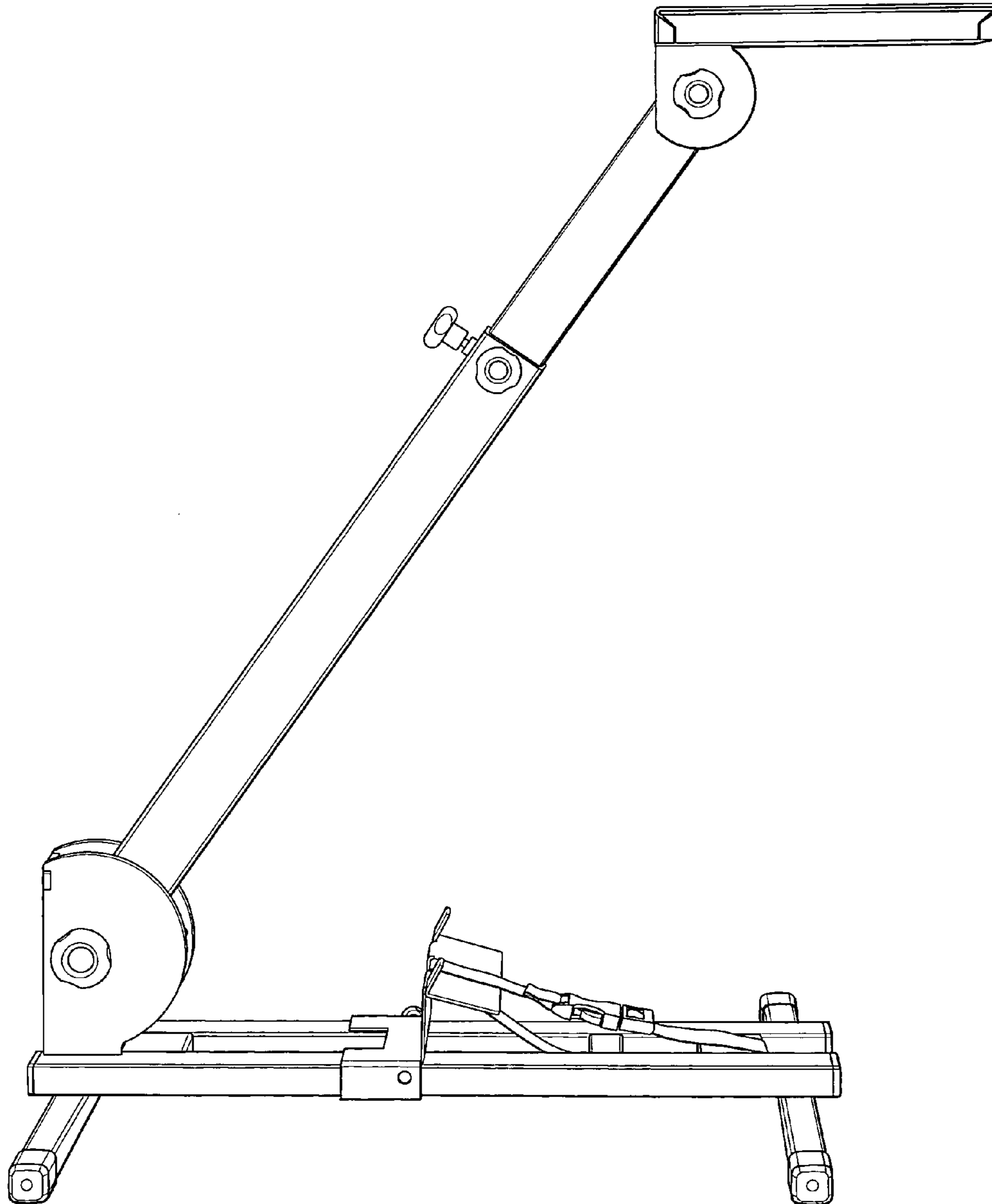


Fig. 4

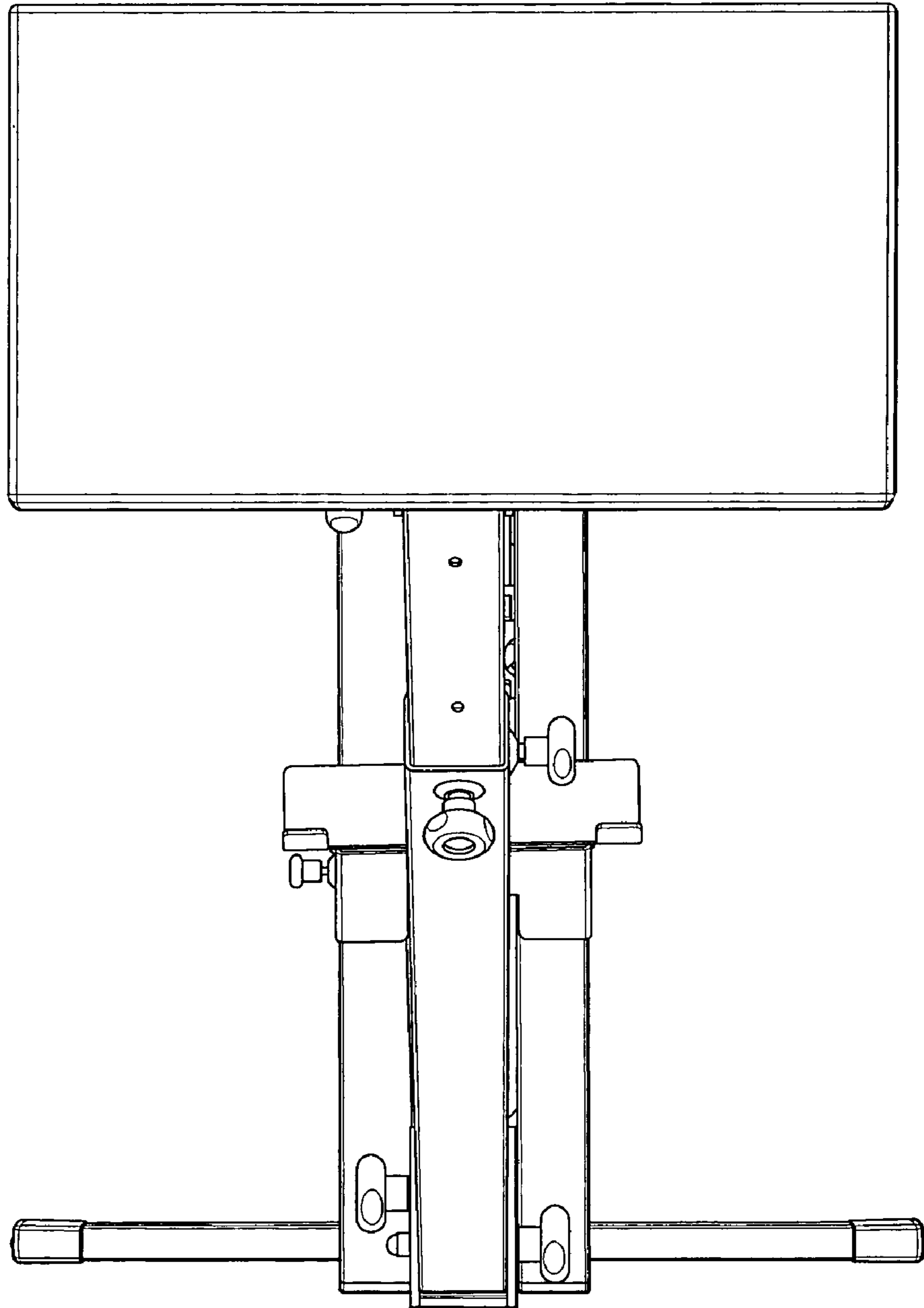


Fig. 5

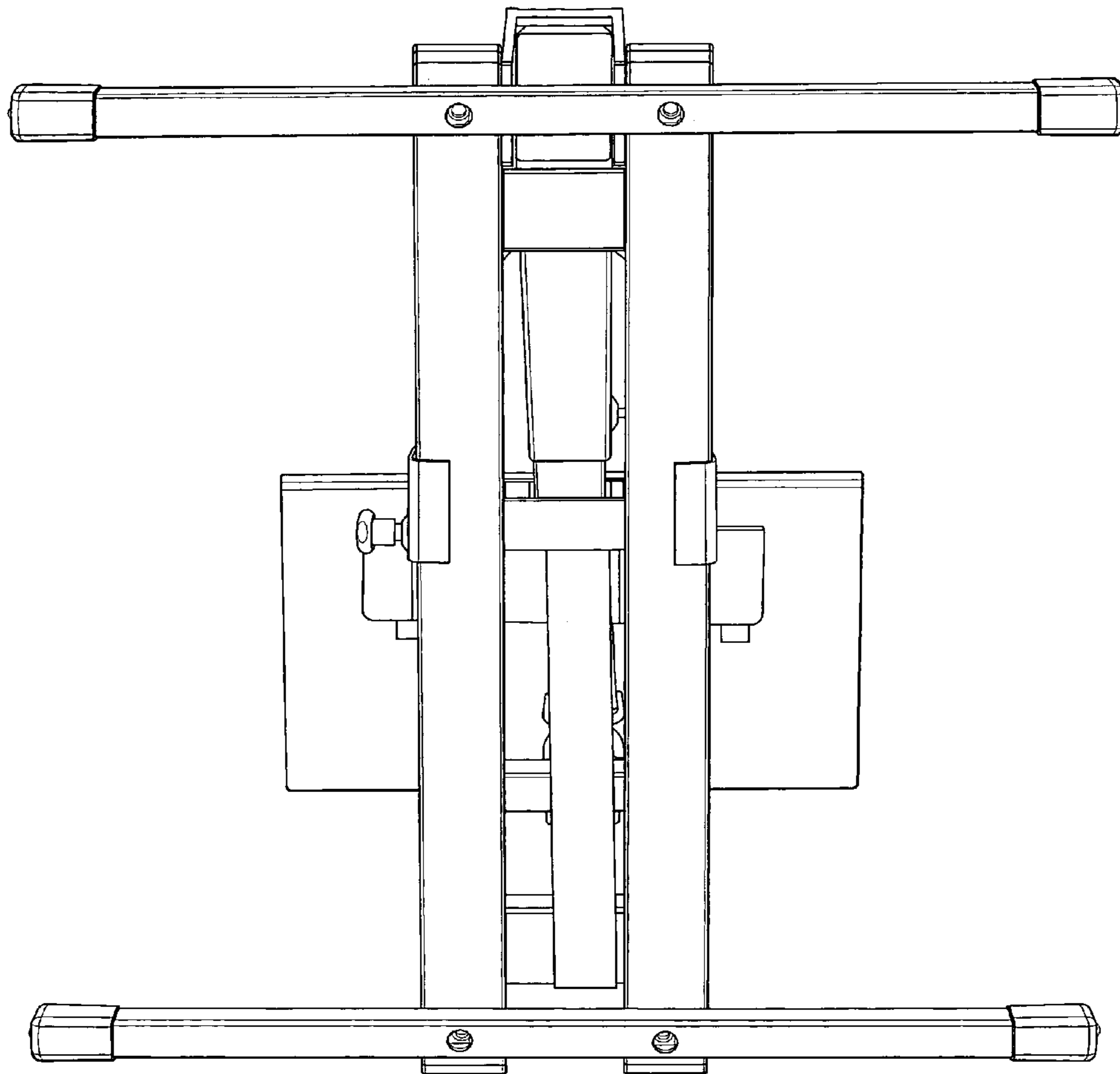


Fig. 6

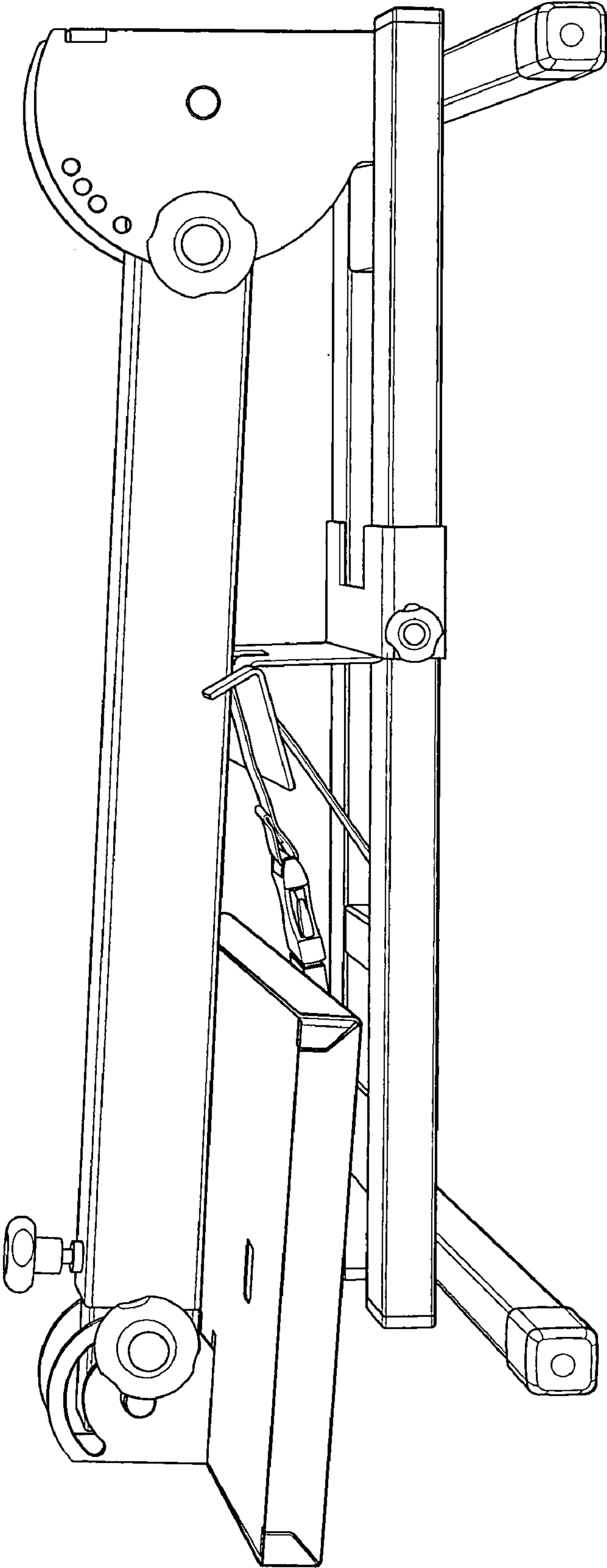


Fig. 7