



US00D642220S

(12) **United States Design Patent**
Moshluk et al.

(10) **Patent No.:** **US D642,220 S**
(45) **Date of Patent:** **** Jul. 26, 2011**

(54) **SIGN-HOLDING APPARATUS**

(76) Inventors: **Gary A. Moshluk**, Zeeland, MI (US);
Brian S. Kronemeyer, Middleville, MI (US)

(**) Term: **14 Years**

(21) Appl. No.: **29/380,971**

(22) Filed: **Dec. 14, 2010**

(51) **LOC (9) Cl.** **20-03**

(52) **U.S. Cl.** **D20/43**

(58) **Field of Classification Search** D20/10,
D20/19, 21, 39-43, 99; 40/446, 538, 541,
40/584, 606.01, 606.03, 606.13-606.16,
40/607.01-607.09, 607.1, 607.11-607.13,
40/608, 618, 622; D10/104, 109; D11/121;
248/156, 175

See application file for complete search history.

(56) **References Cited**

U.S. PATENT DOCUMENTS

D265,746 S * 8/1982 Robillard D20/41
5,207,402 A * 5/1993 Berry-Tremmel et al. ... 248/156
D342,285 S * 12/1993 Boyar D20/41

D503,748 S * 4/2005 Crawford D20/41
D577,627 S * 9/2008 Evans D11/121
7,437,844 B1 * 10/2008 Kennedy 40/607.03
D582,485 S * 12/2008 Glass et al. D20/43
7,543,785 B1 * 6/2009 Liles 248/175

* cited by examiner

Primary Examiner — Mary Ann Calabrese

(74) *Attorney, Agent, or Firm* — Price Heneveld LLP

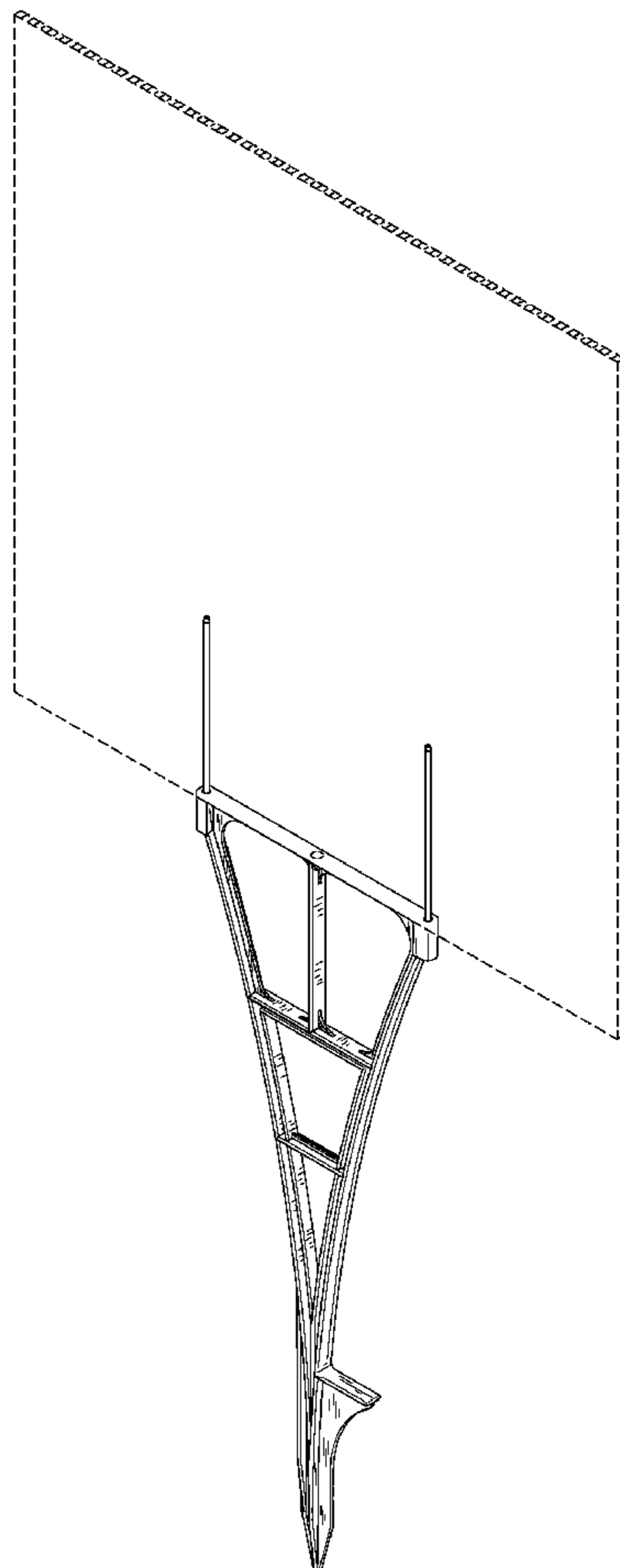
(57) **CLAIM**

We claim the ornamental design for sign-holding apparatus, as shown and described.

DESCRIPTION

FIG. 1 is a perspective view of a sign-holding apparatus.
FIG. 2 is an enlarged perspective view of the article in FIG. 1.
FIG. 3 is a front view of the article in FIG. 1.
FIG. 4 is a right side view of the article in FIG. 1.
FIG. 5 is a left side view of the article in FIG. 1.
FIG. 6 is a top view of the article in FIG. 1; and,
FIG. 7 is a bottom view of the article in FIG. 1.
The rear view is a mirror image of the front view.
The broken lines in FIGS. 1, 2 and 6 represent environment and do not form part of the claimed design.

1 Claim, 3 Drawing Sheets



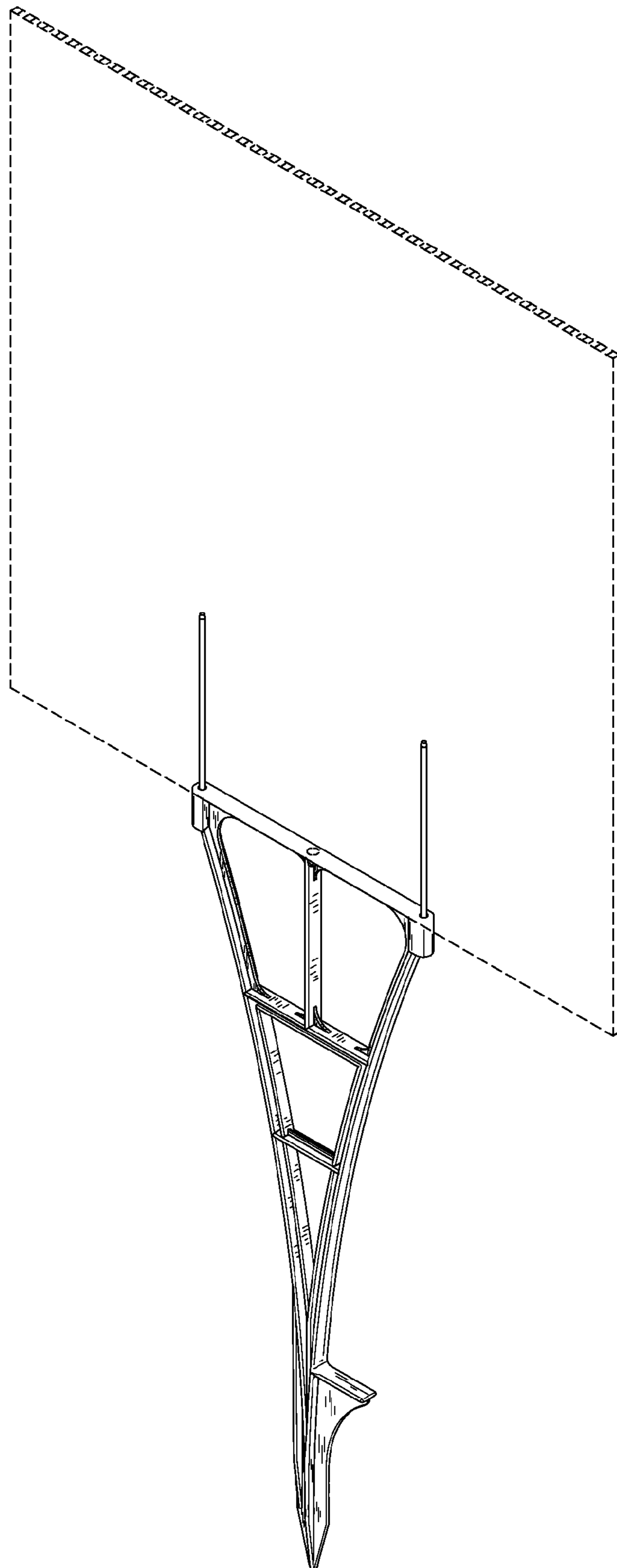


FIG. 1

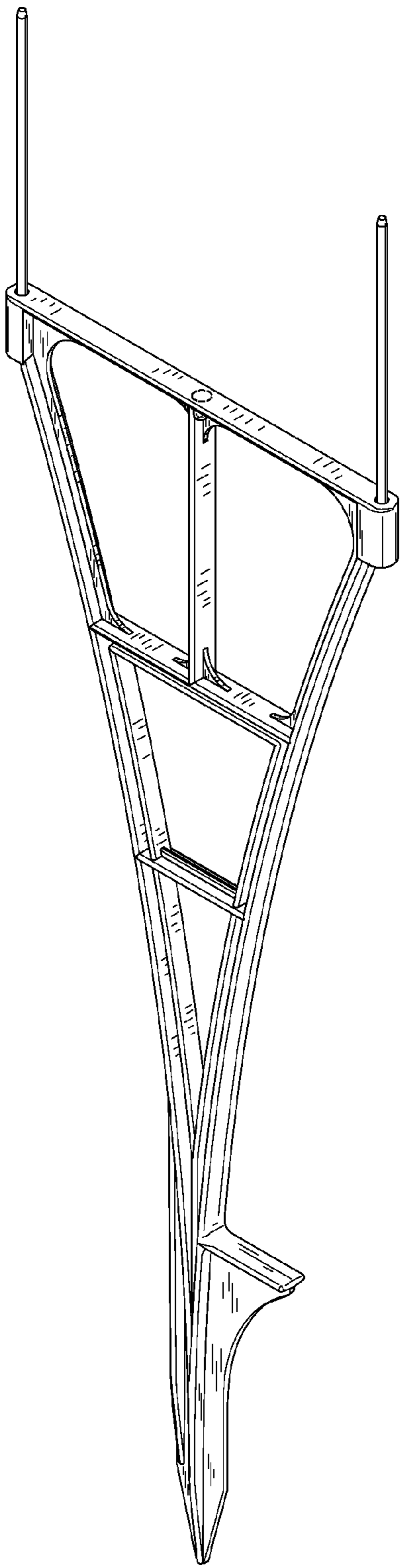


FIG. 2

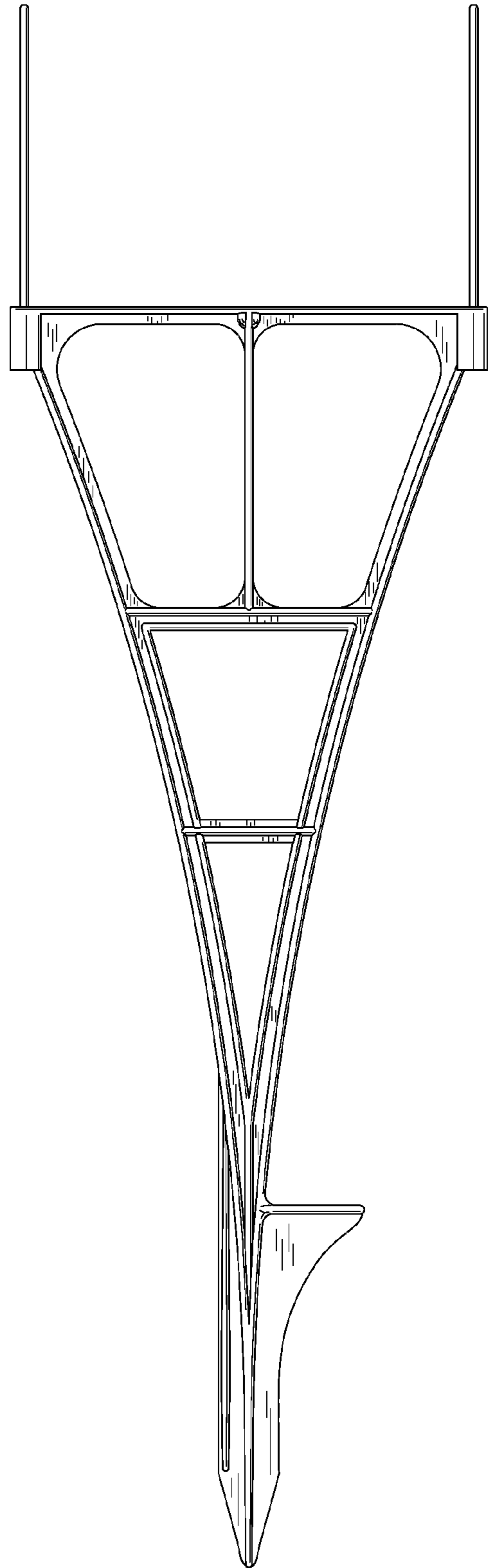


FIG. 3



FIG. 4



FIG. 5

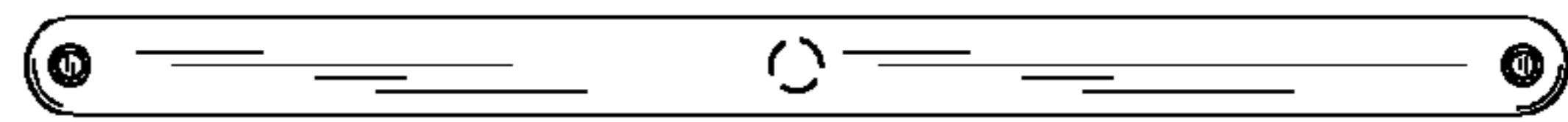


FIG. 6

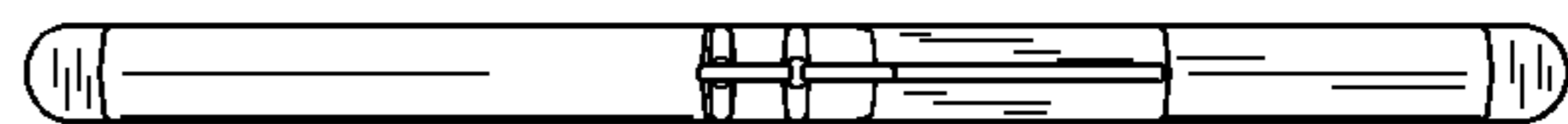


FIG. 7