



US00D642213S

(12) **United States Design Patent**
Glass

(10) **Patent No.:** **US D642,213 S**

(45) **Date of Patent:** **** Jul. 26, 2011**

(54) **SCULPTING DEVICE**

(76) Inventor: **Henry Goode Glass**, Roanoke, VA (US)

(**) Term: **14 Years**

(21) Appl. No.: **29/347,805**

(22) Filed: **Jun. 9, 2010**

(51) **LOC (9) Cl.** **19-06**

(52) **U.S. Cl.** **D19/35**

(58) **Field of Classification Search** D18/15;
D19/35, 36, 65, 99, 100; 33/514.2, 561.1,
33/562; 40/427, 446, 579; 434/82
See application file for complete search history.

(56) **References Cited**

U.S. PATENT DOCUMENTS

807,198	A *	12/1905	Paige	40/579
2,120,192	A	6/1938	Severson	
3,380,380	A *	4/1968	Funahashi	101/379
D217,553	S *	5/1970	Smentek et al.	D13/119
4,536,980	A	8/1985	Fleming	
4,654,989	A *	4/1987	Fleming	40/427
5,056,236	A	10/1991	Glass	
D322,631	S *	12/1991	Jin	D19/77
5,391,105	A	2/1995	Jones	
6,189,246	B1	2/2001	Gorthala	
6,205,691	B1 *	3/2001	Urda et al.	40/559

6,298,587	B1	10/2001	Vollom	
6,860,784	B2	3/2005	Chernov et al.	
6,904,692	B2 *	6/2005	Tadin	33/515
7,654,021	B2 *	2/2010	Kleyman et al.	40/427
2004/0020087	A1	2/2004	Fleming	

* cited by examiner

Primary Examiner — Elizabeth Albert

(74) *Attorney, Agent, or Firm* — Stephen R. Greiner

(57) **CLAIM**

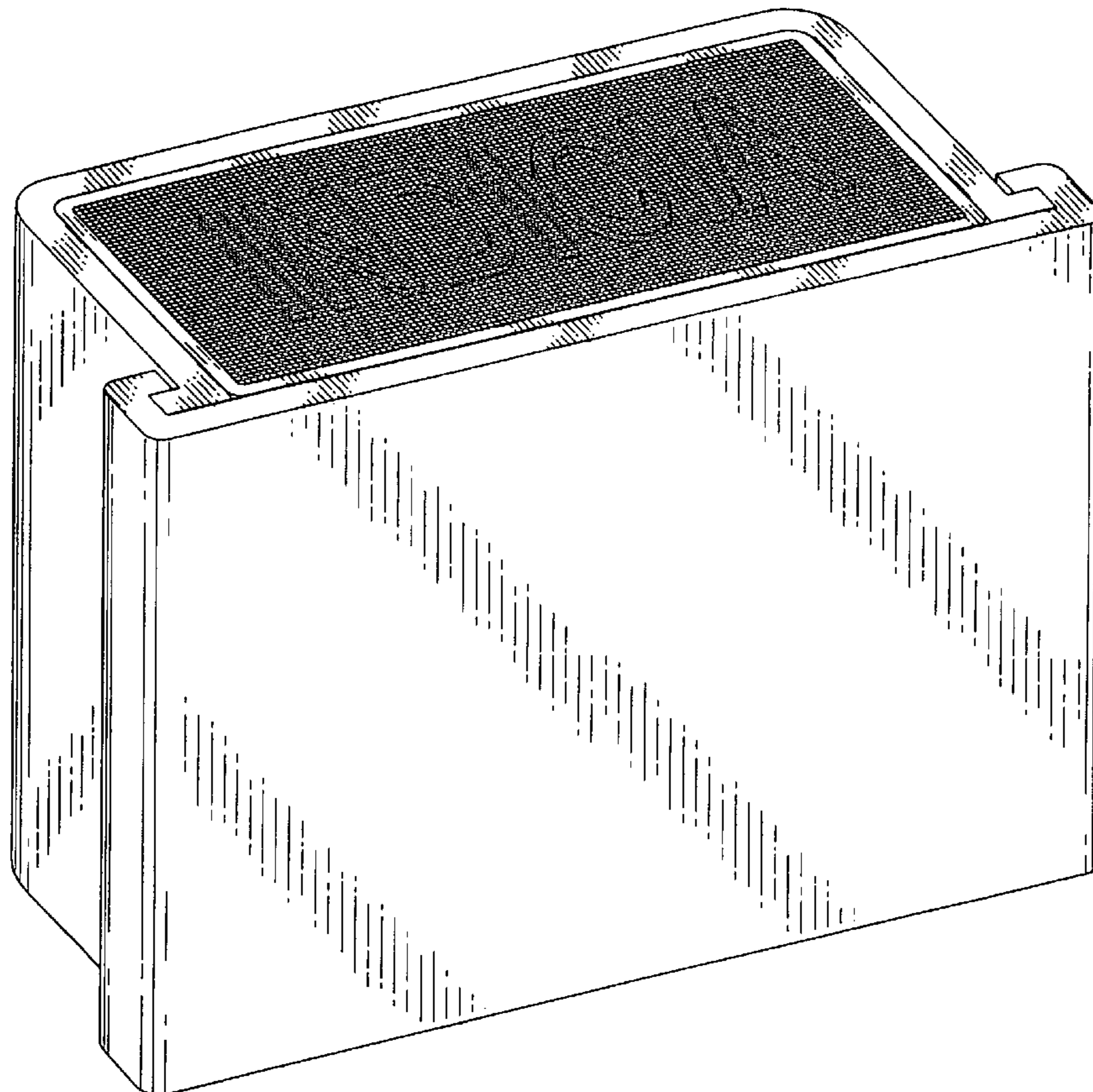
The ornamental design for a sculpting device, as shown and described.

DESCRIPTION

FIG. 1 is a front perspective view of a sculpting device showing my new design;
 FIG. 2 is a rear perspective view thereof;
 FIG. 3 is a front elevational view thereof;
 FIG. 4 is a rear elevational view thereof;
 FIG. 5 is a right side elevational view thereof with the left side elevational view being a mirror image of the right side elevational view;
 FIG. 6 is a top view thereof; and,
 FIG. 7 is a bottom view thereof.

The broken lines showing displaced sculptural fibers in the shape of indicia in FIGS. 1-7 are for the purpose of showing features that form no part of the claimed design.

1 Claim, 6 Drawing Sheets



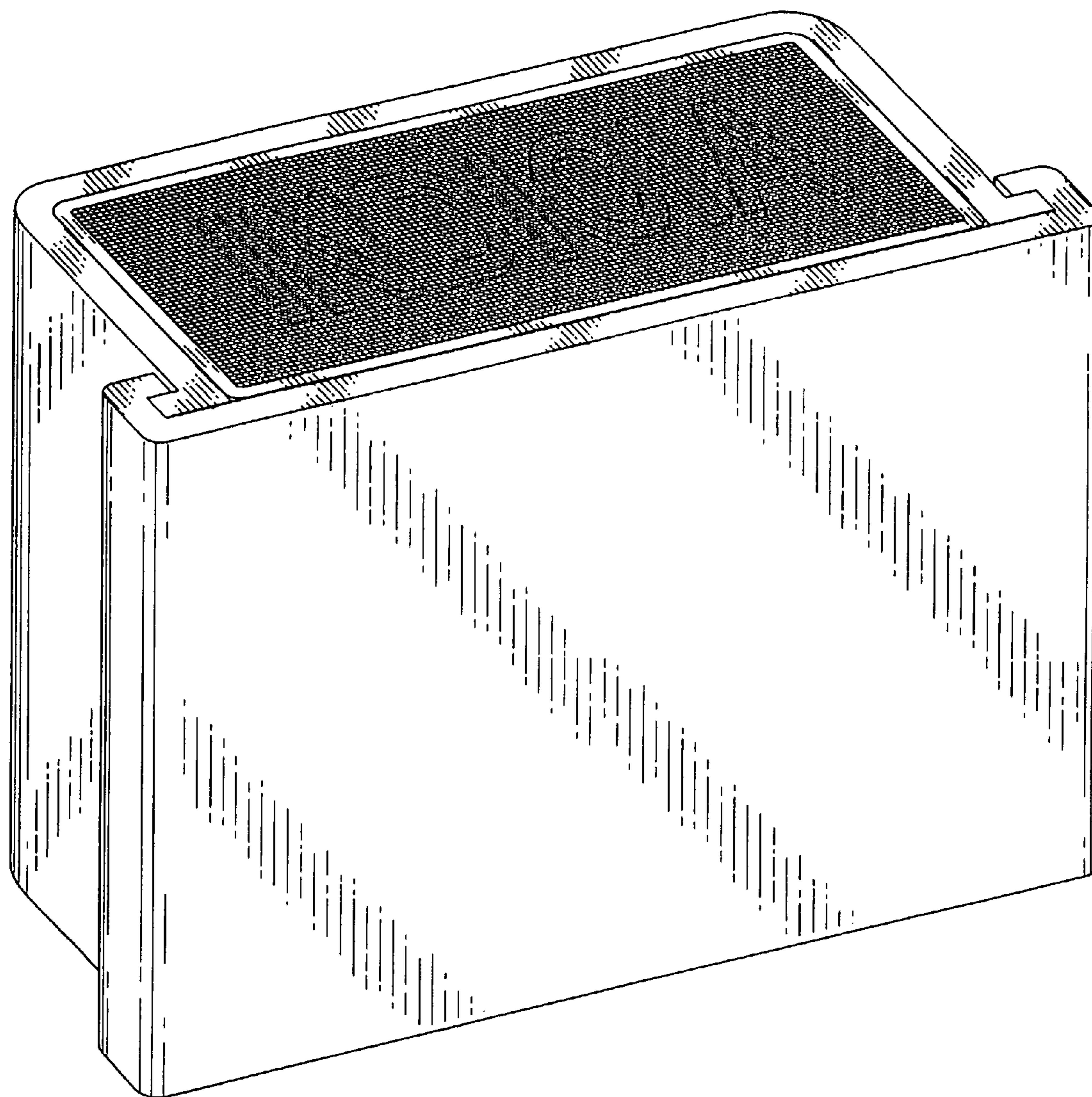


FIG. 1

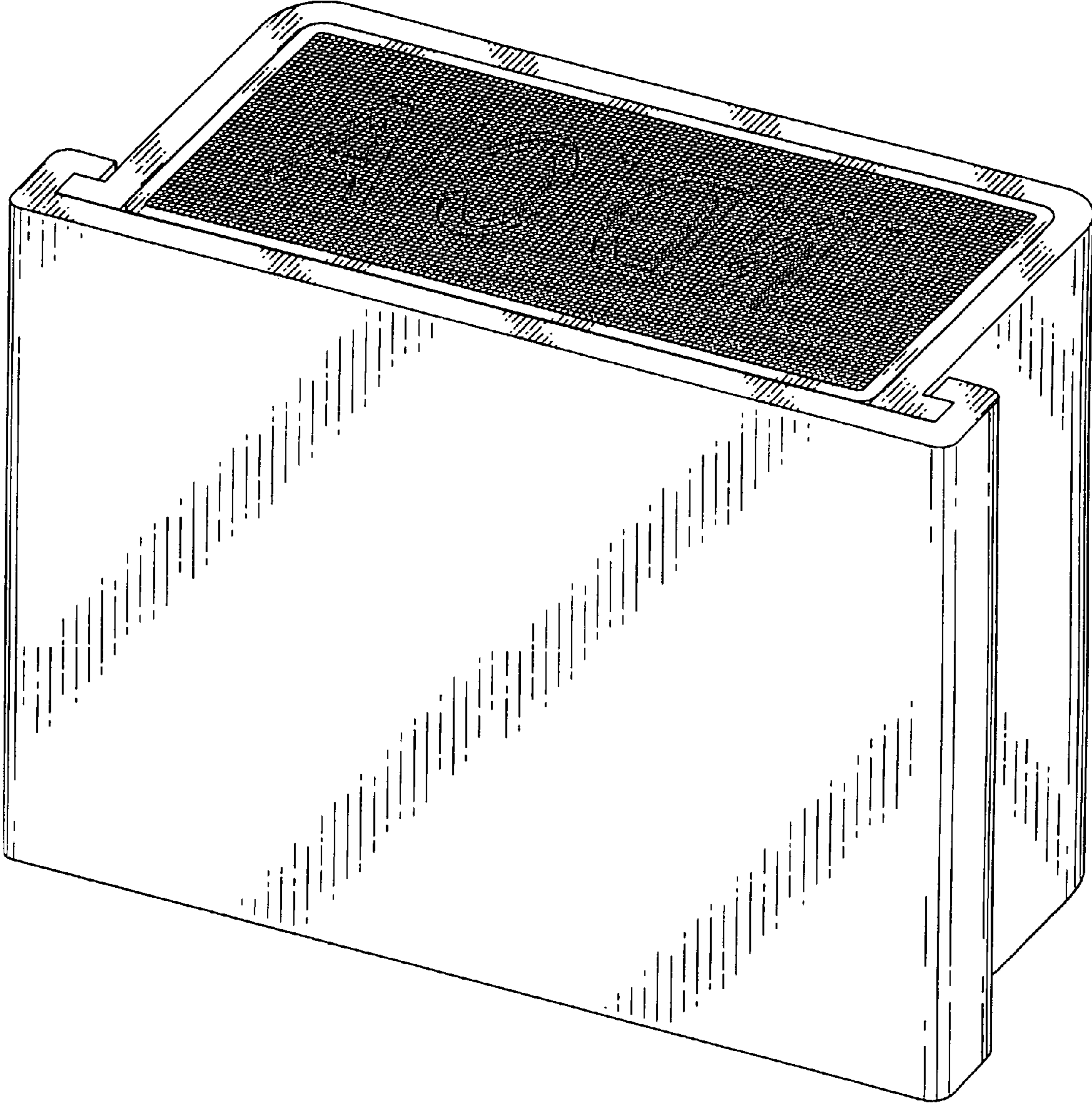


FIG. 2

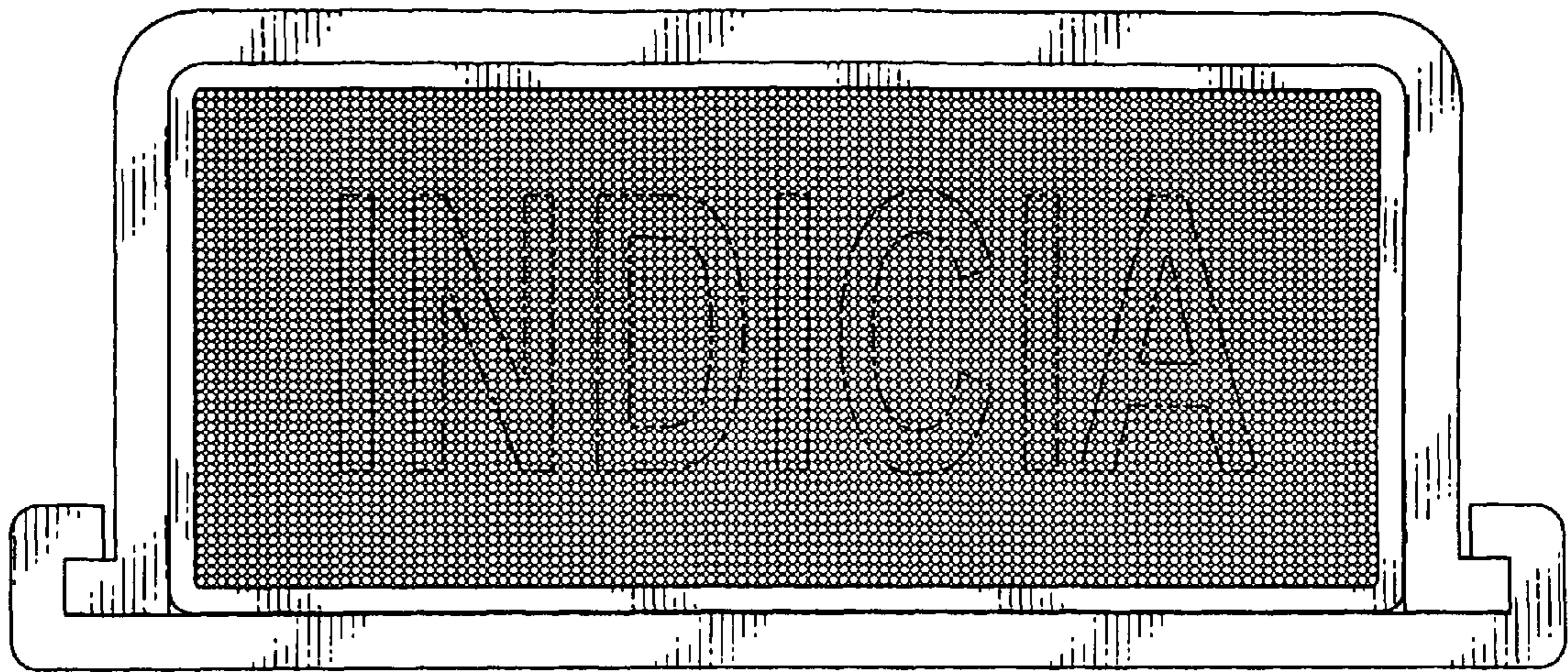


FIG. 3

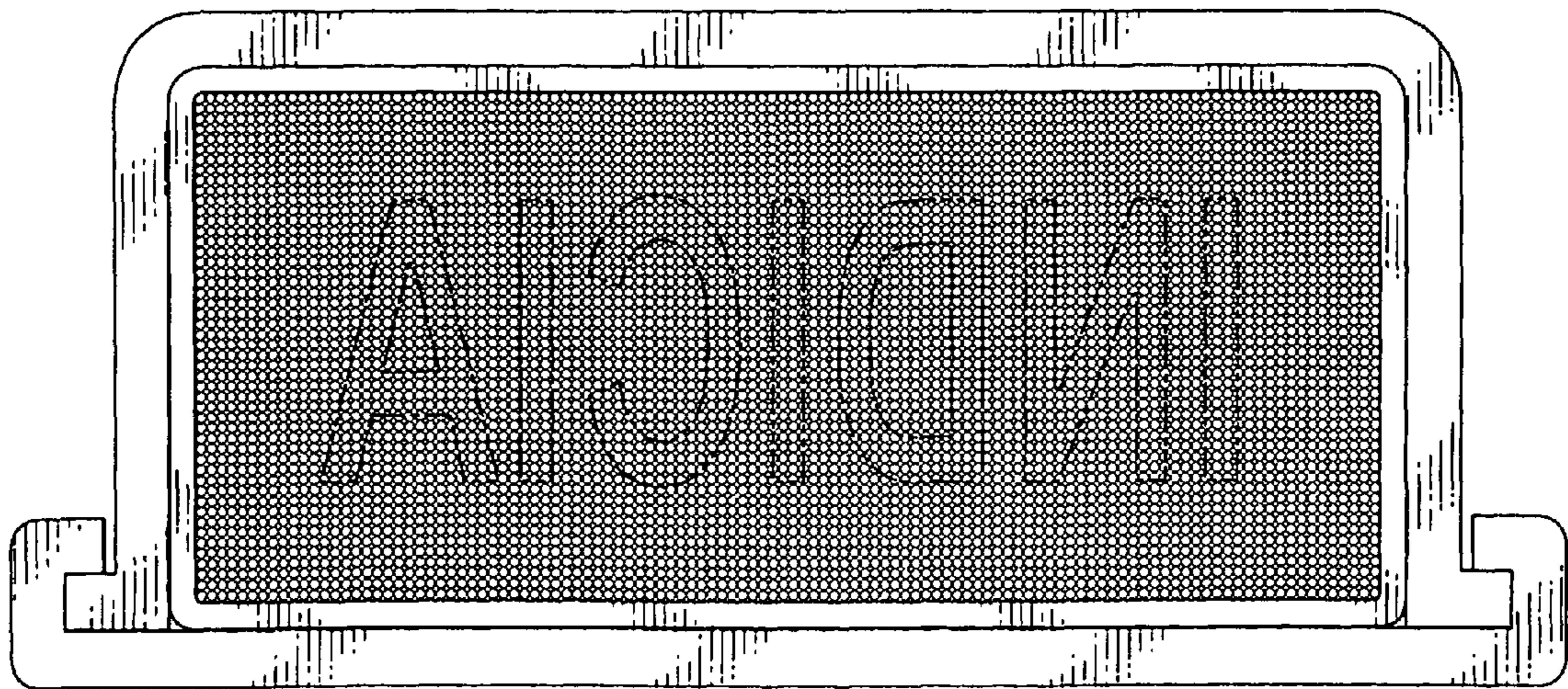


FIG. 4

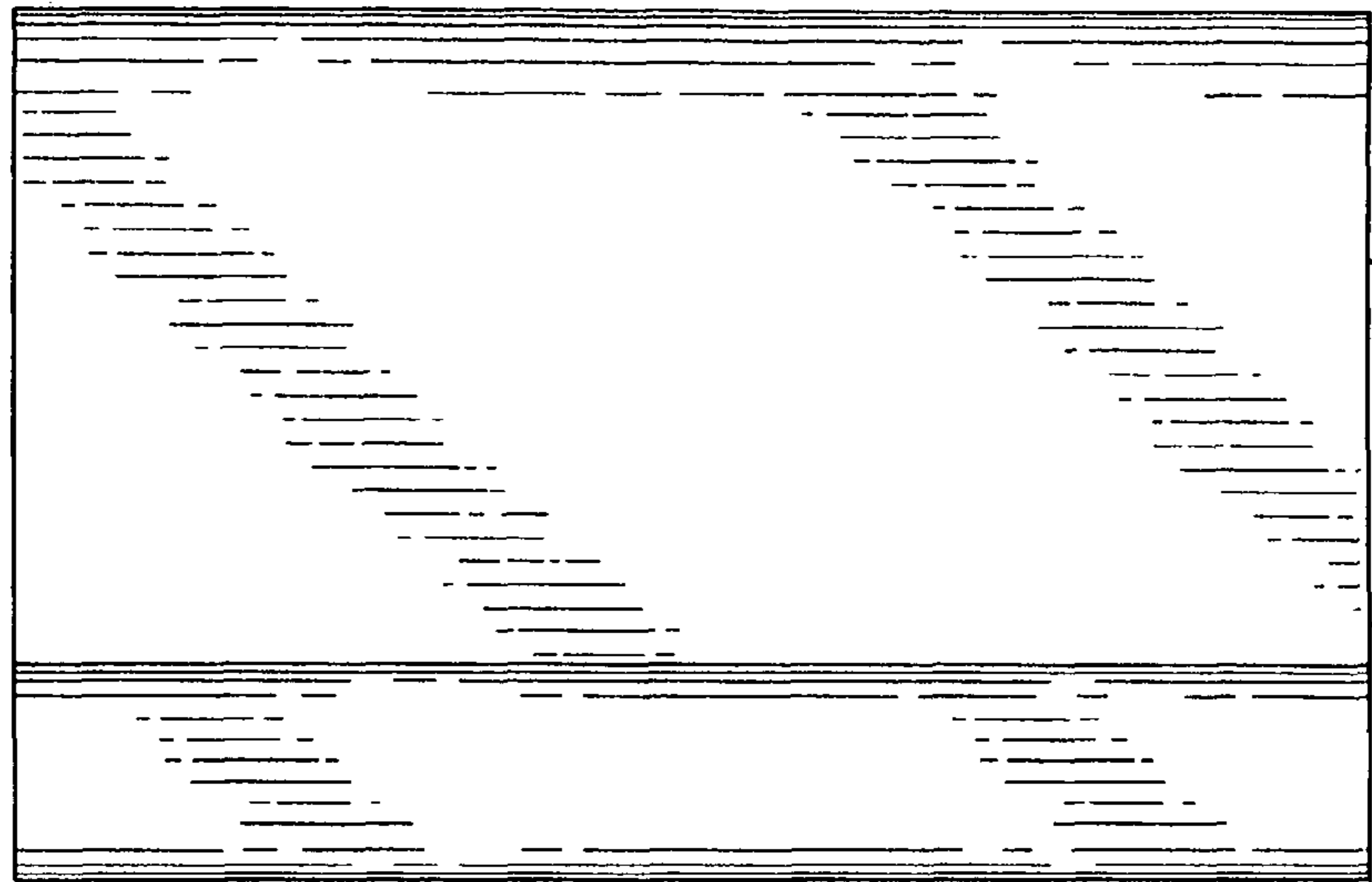


FIG. 5

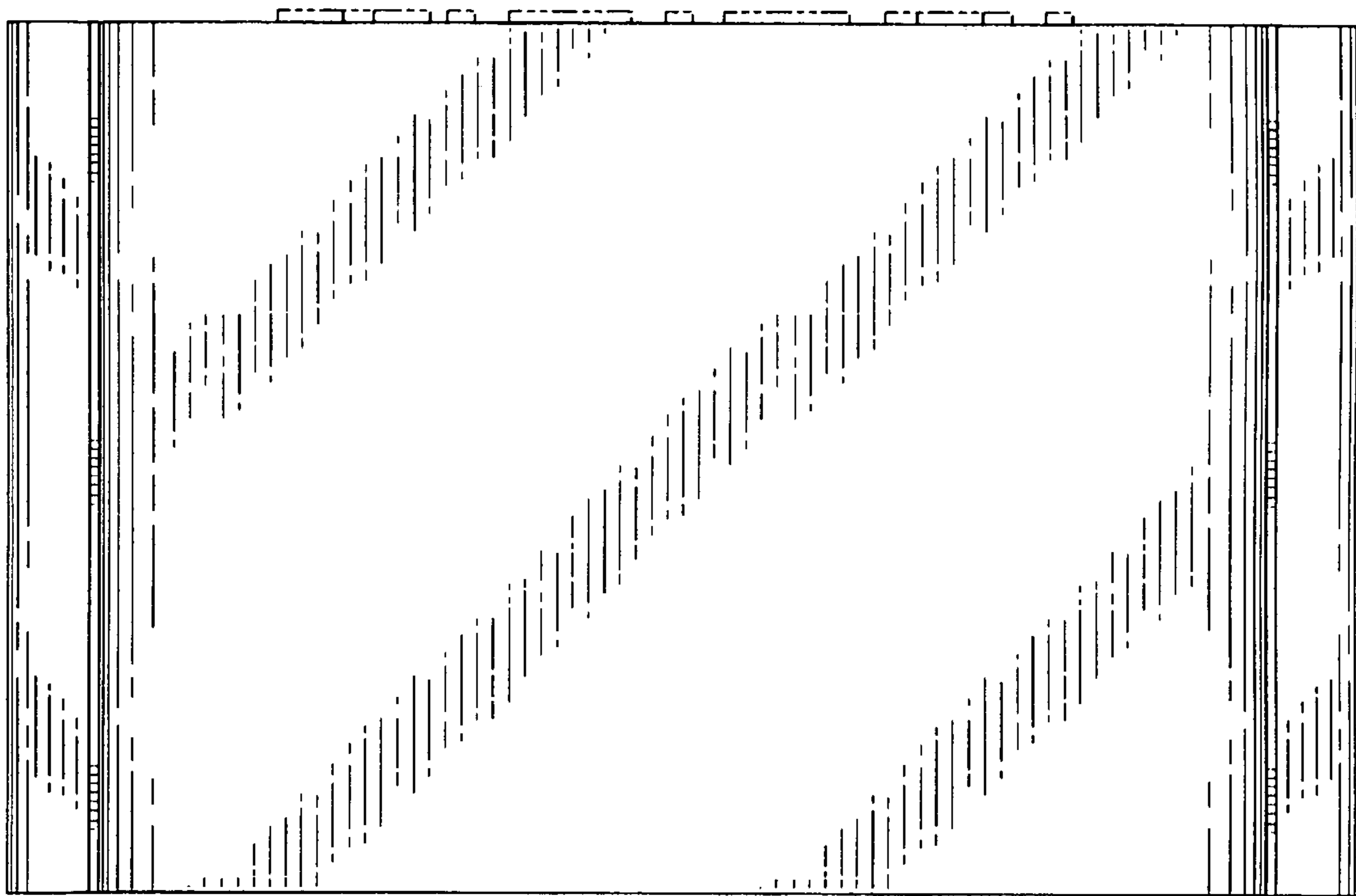


FIG. 6

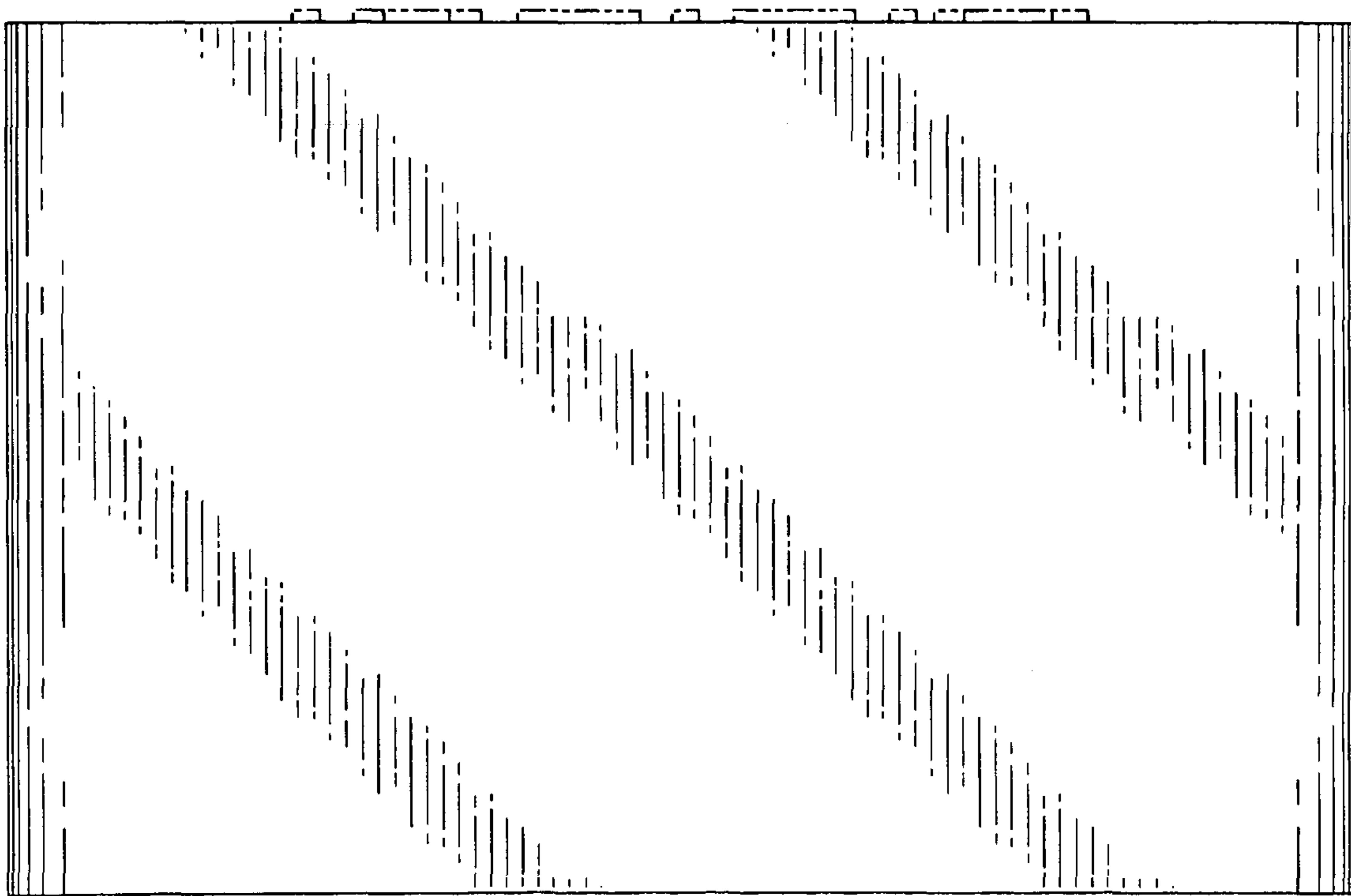


FIG. 7