



US00D642210S

(12) **United States Design Patent**
Deurwaarder

(10) **Patent No.:** **US D642,210 S**
(45) **Date of Patent:** **** Jul. 26, 2011**

(54) **SURVEILLANCE CAMERA**
(75) Inventor: **Wessel Deurwaarder**, Eindhoven (NL)
(73) Assignee: **Robert Bosch GmbH**, Stuttgart (DE)
(**) Term: **14 Years**
(21) Appl. No.: **29/379,656**
(22) Filed: **Nov. 23, 2010**

D476,671 S * 7/2003 van Schaik et al. D16/203
6,830,387 B2 * 12/2004 Rife 348/374
D532,806 S * 11/2006 Cheng D16/203
D540,361 S * 4/2007 Yamakawa D16/203
D576,194 S * 9/2008 Yoshida et al. D16/203
D612,409 S * 3/2010 Deurwaarder D16/203

* cited by examiner

Primary Examiner — Adir Aronovich
(74) *Attorney, Agent, or Firm* — Maginot, Moore & Beck

(30) **Foreign Application Priority Data**

Sep. 10, 2010 (EM) 001753203

(51) **LOC (9) Cl.** **16-01**
(52) **U.S. Cl.** **D16/203**
(58) **Field of Classification Search** D16/200–205,
D16/208, 218; 348/373–376; 358/906; 396/427,
396/535, 540, 541
See application file for complete search history.

(57) **CLAIM**

The ornamental design for a surveillance camera, as shown and described.

DESCRIPTION

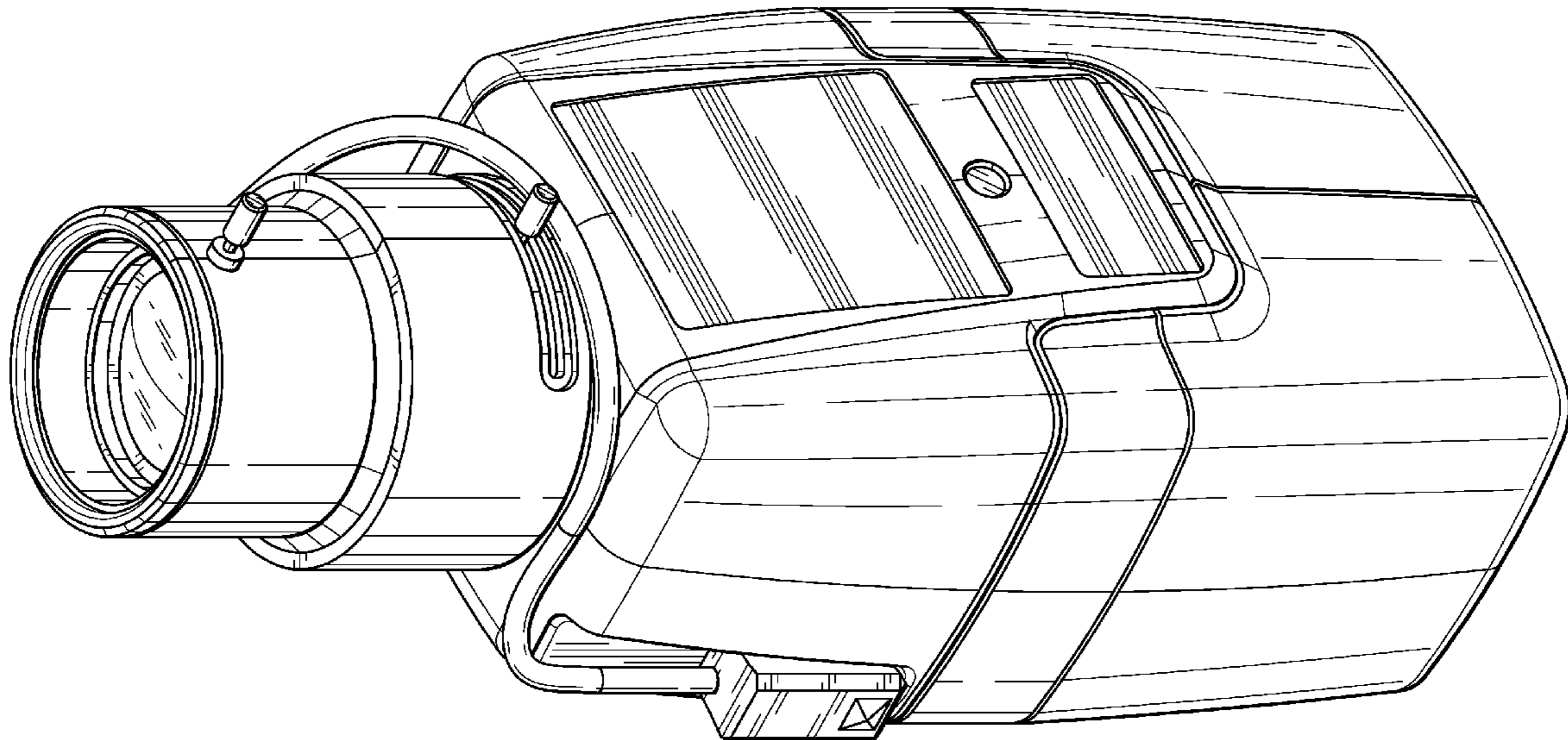
FIG. 1 is a front left perspective view of a surveillance camera;
FIG. 2 is a left elevational view thereof;
FIG. 3 is a right elevational view thereof;
FIG. 4 is a front elevational view thereof;
FIG. 5 is a rear elevational view thereof;
FIG. 6 is a top plan view thereof; and,
FIG. 7 is a bottom plan view thereof.

(56) **References Cited**

U.S. PATENT DOCUMENTS

D339,598 S * 9/1993 Shimizu D16/203
5,790,910 A * 8/1998 Haskin 396/427

1 Claim, 7 Drawing Sheets



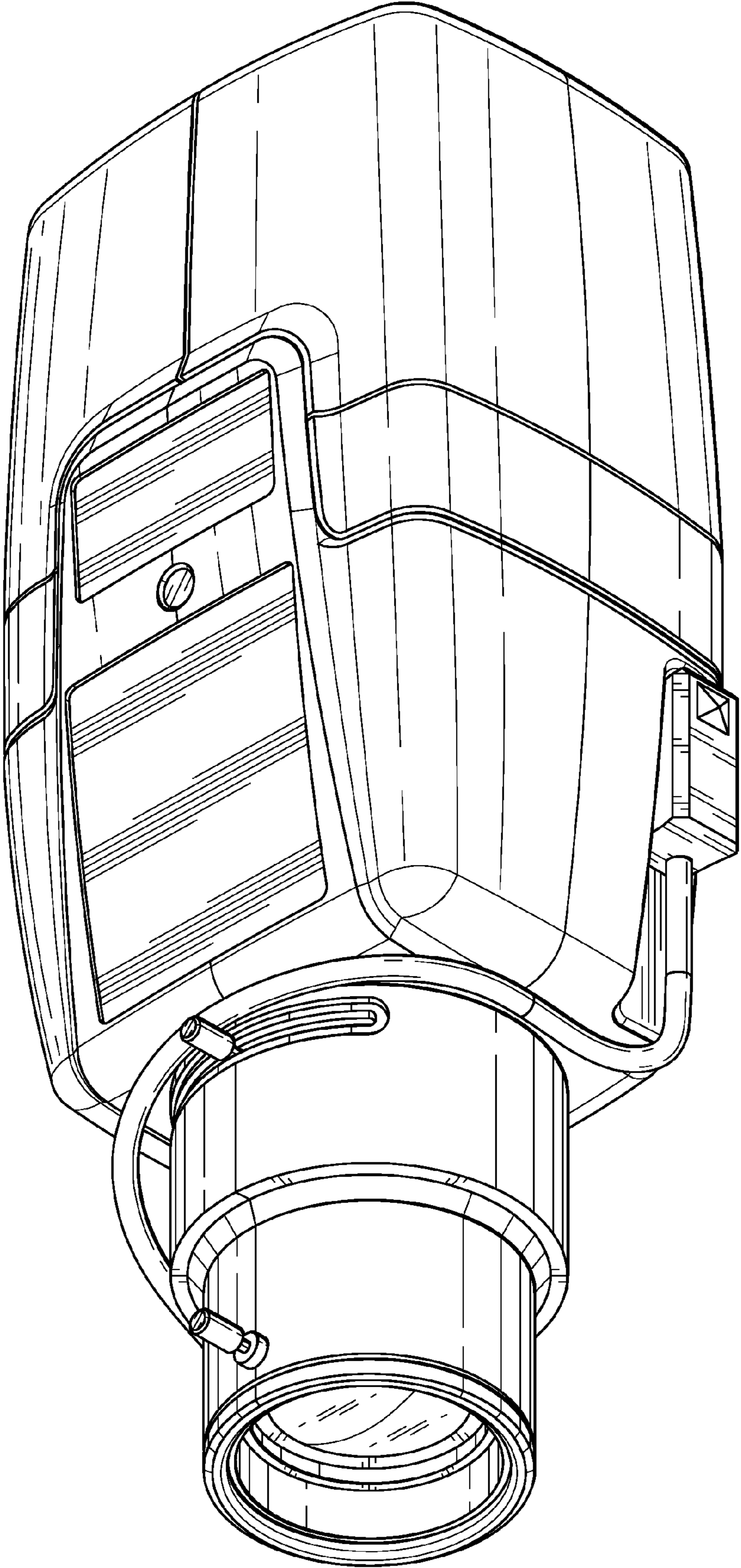


Fig. 1

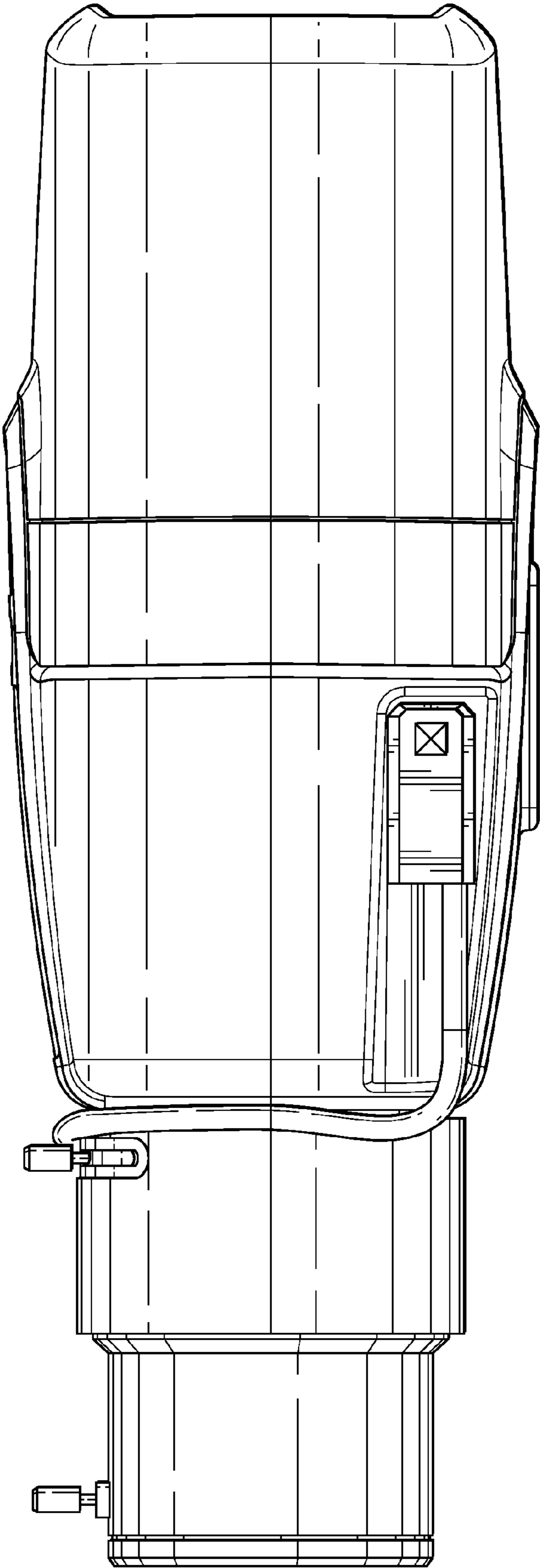


Fig. 2

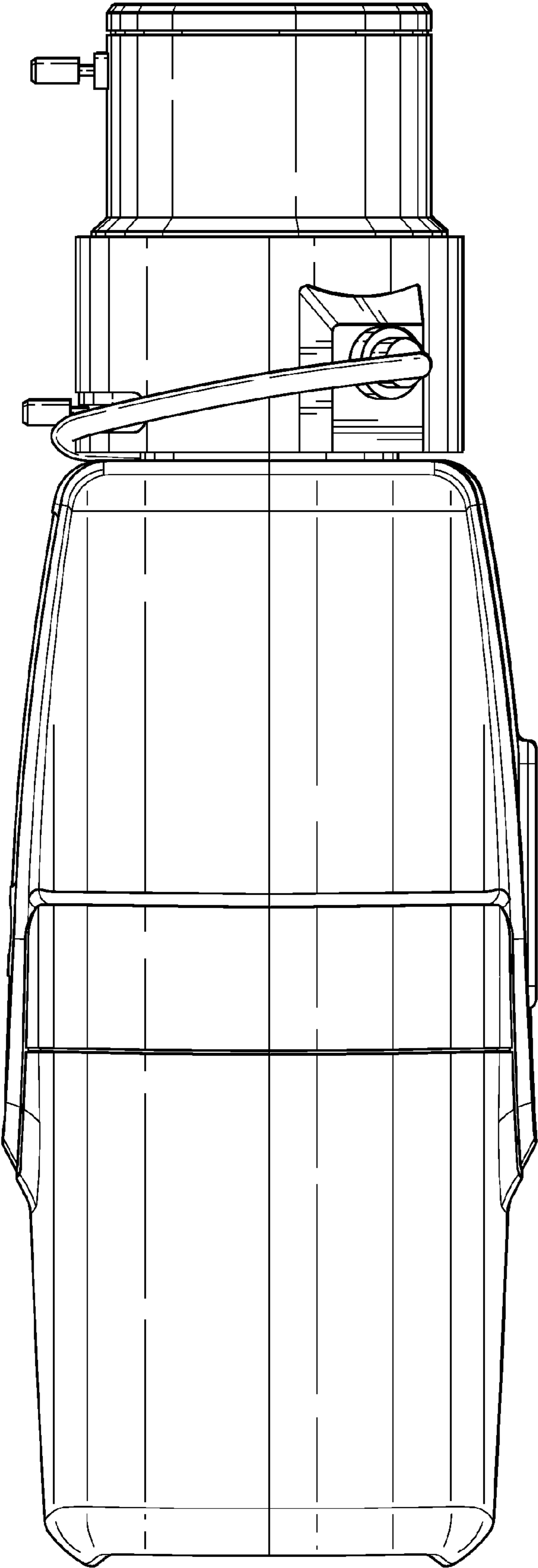


Fig. 3

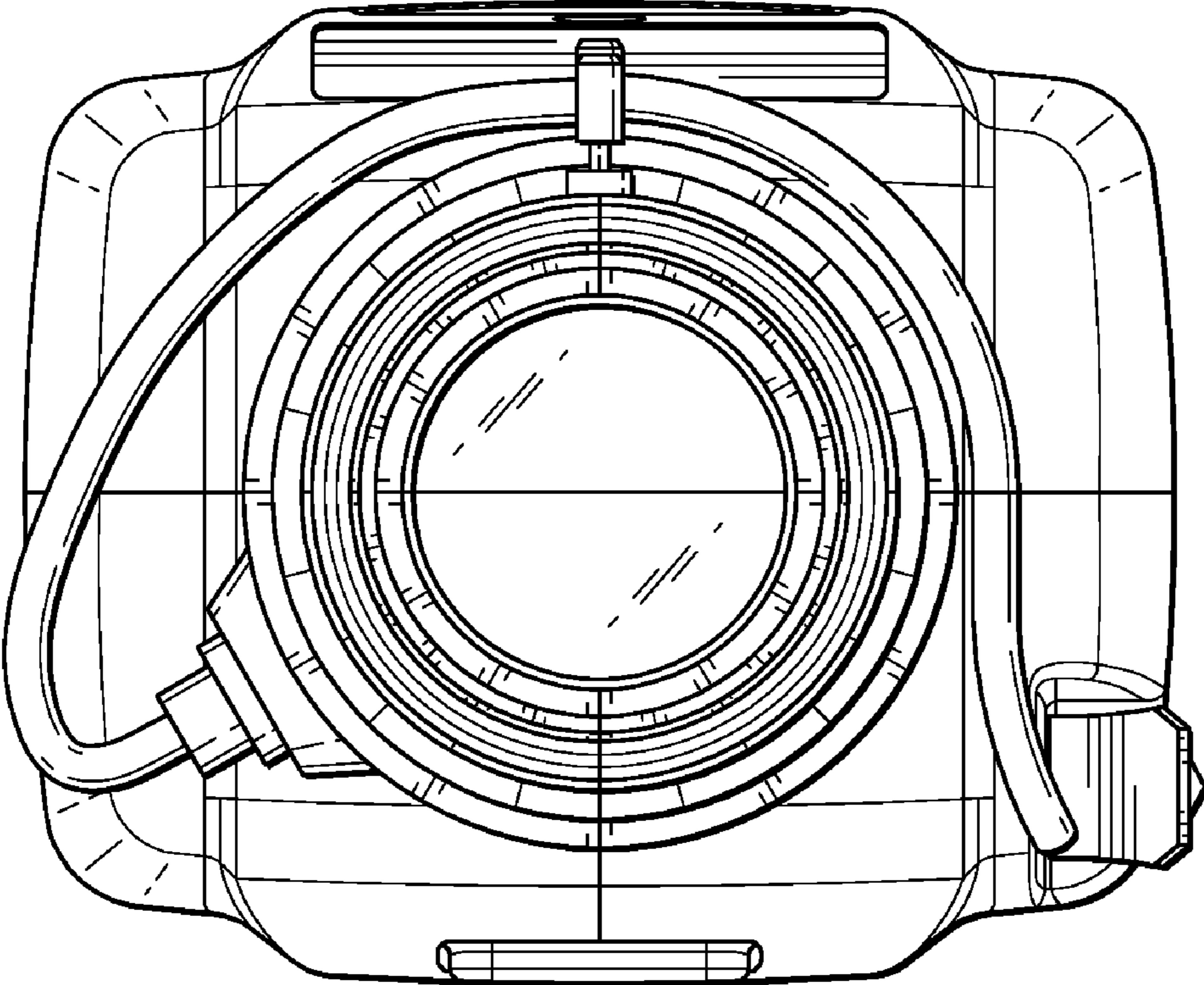


Fig. 4

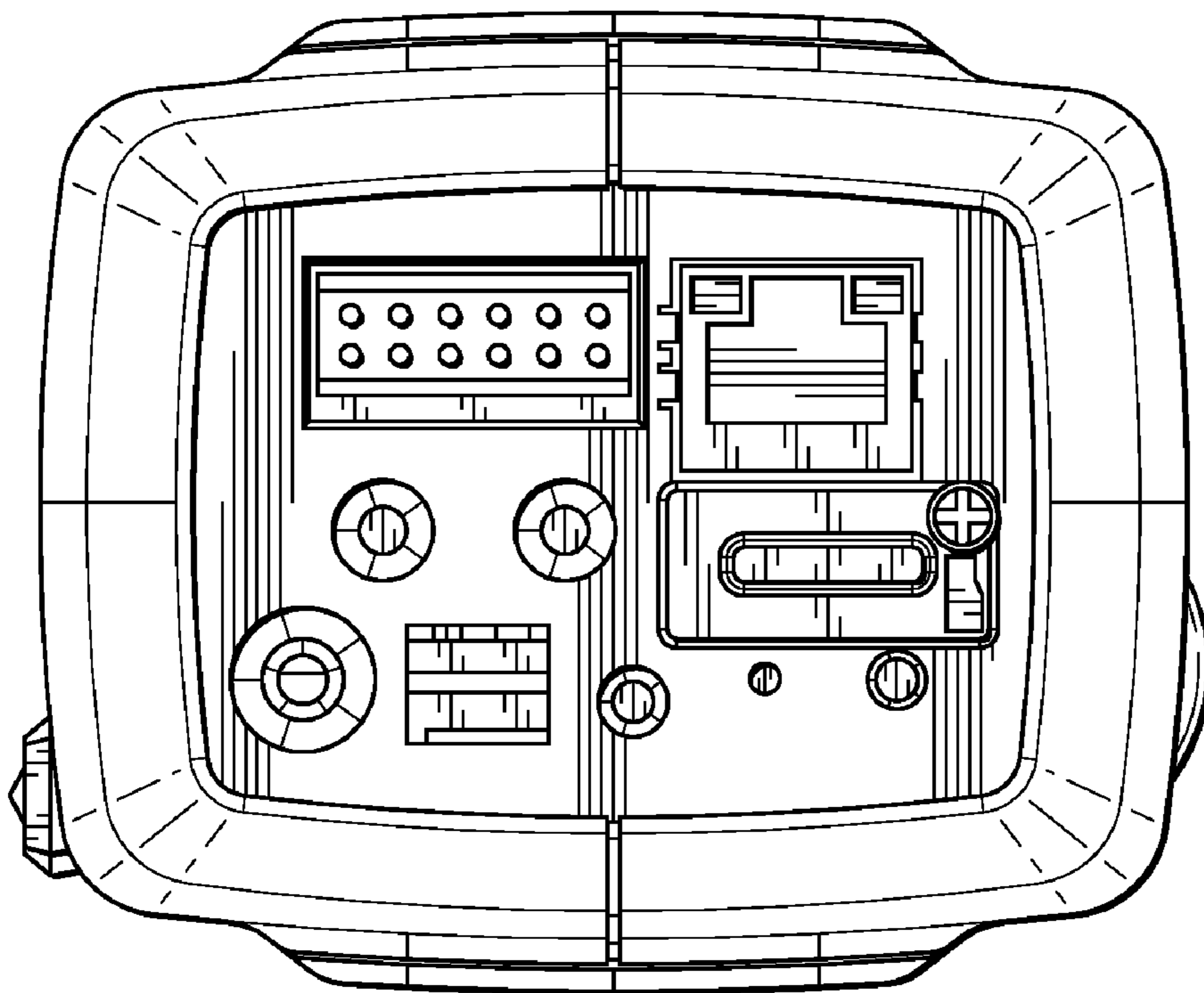


Fig. 5

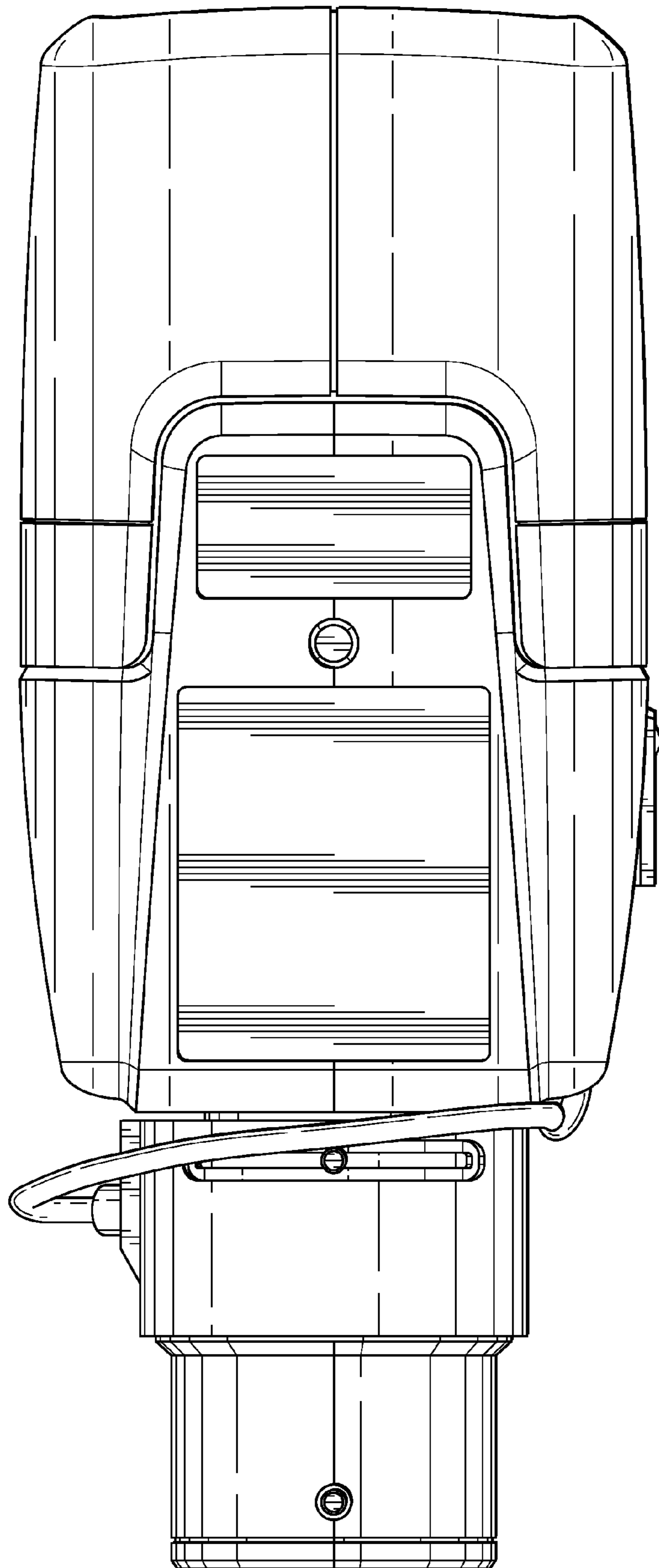


Fig. 6

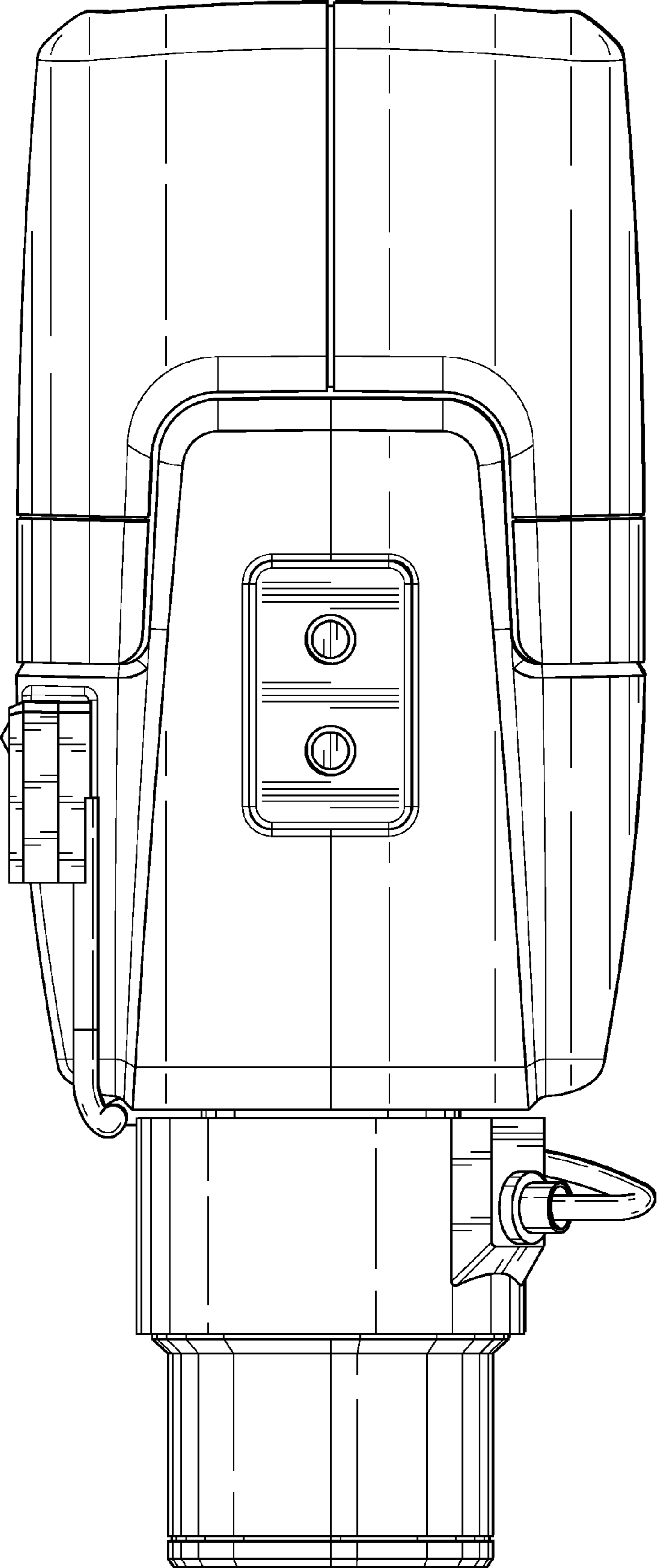


Fig. 7