



US00D642208S

(12) **United States Design Patent**
Okuda et al.

(10) **Patent No.:** **US D642,208 S**
(45) **Date of Patent:** **** Jul. 26, 2011**

(54) **TABLE CUTTING DEVICE**

(75) Inventors: **Shinsuke Okuda**, Anjo (JP); **Yoshihiro Kimura**, Anjo (JP)

(73) Assignee: **Makita Corporation**, Anjo-shi (JP)

(**) Term: **14 Years**

(21) Appl. No.: **29/382,126**

(22) Filed: **Dec. 29, 2010**

(30) **Foreign Application Priority Data**

Jul. 14, 2010 (JP) 2010-017157

(51) **LOC (9) Cl.** **15-09**

(52) **U.S. Cl.** **D15/133**

(58) **Field of Classification Search** D8/61,
D8/64-69; D15/133, 134; 30/377-378,
30/388-391; 83/377, 378, 388, 397, 468.3,
83/469

See application file for complete search history.

(56) **References Cited**

U.S. PATENT DOCUMENTS

D331,416 S	12/1992	Fushiya et al.	
D336,652 S *	6/1993	Arehart	D15/133
D348,272 S *	6/1994	Brickner	D15/133
D374,803 S *	10/1996	Terpstra et al.	D8/66
D388,443 S *	12/1997	Kondo	D15/133
D389,494 S *	1/1998	Chen	D15/133

D412,510 S *	8/1999	Chen	D15/133
D424,072 S *	5/2000	Shibata et al.	D15/133
D478,103 S *	8/2003	Kani et al.	D15/133
D487,754 S *	3/2004	Kao	D15/133
6,758,122 B2 *	7/2004	Kao	83/379
D513,271 S *	12/2005	Ozawa et al.	D15/133
D597,569 S *	8/2009	Sasaki et al.	D15/133
D620,033 S *	7/2010	Fujiwara et al.	D15/133
2007/0074611 A1 *	4/2007	Hu	83/471.2
2008/0216627 A1 *	9/2008	Taylor et al.	83/468.3

* cited by examiner

Primary Examiner — Patricia Palasik

(74) *Attorney, Agent, or Firm* — Oliff & Berridge, PLC

(57) **CLAIM**

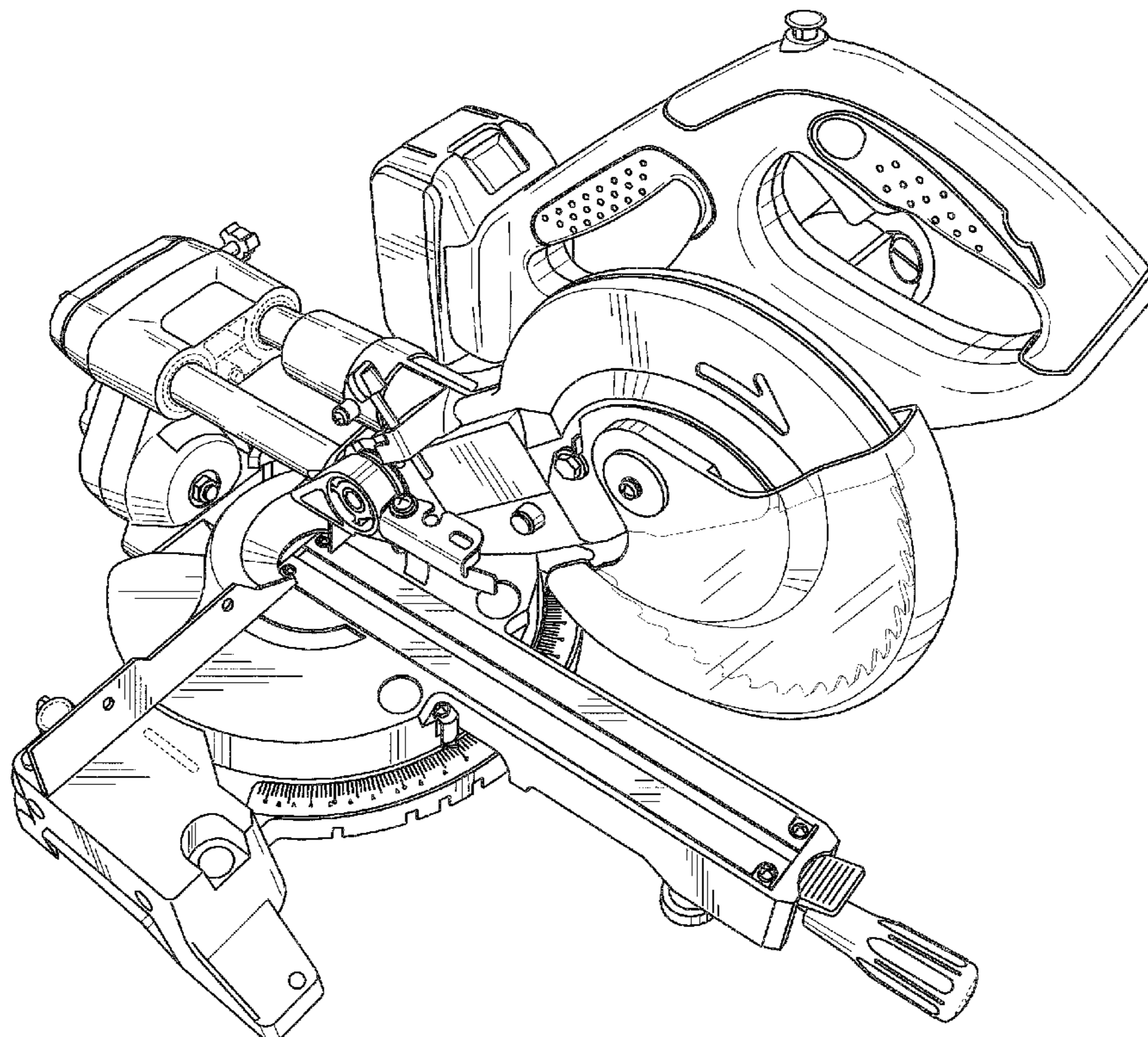
The ornamental design for a table cutting device, as shown and described.

DESCRIPTION

FIG. 1 is a perspective view of a table cutting device showing our new design;
FIG. 2 is a front elevation view thereof;
FIG. 3 is a rear elevation view thereof;
FIG. 4 is a left side elevation view thereof;
FIG. 5 is a right side elevation view thereof;
FIG. 6 is a top plan view thereof; and,
FIG. 7 is a bottom plan view thereof.

The broken lines shown in the drawings represent unclaimed portions of the table cutting device and form no part of the claimed design.

1 Claim, 7 Drawing Sheets



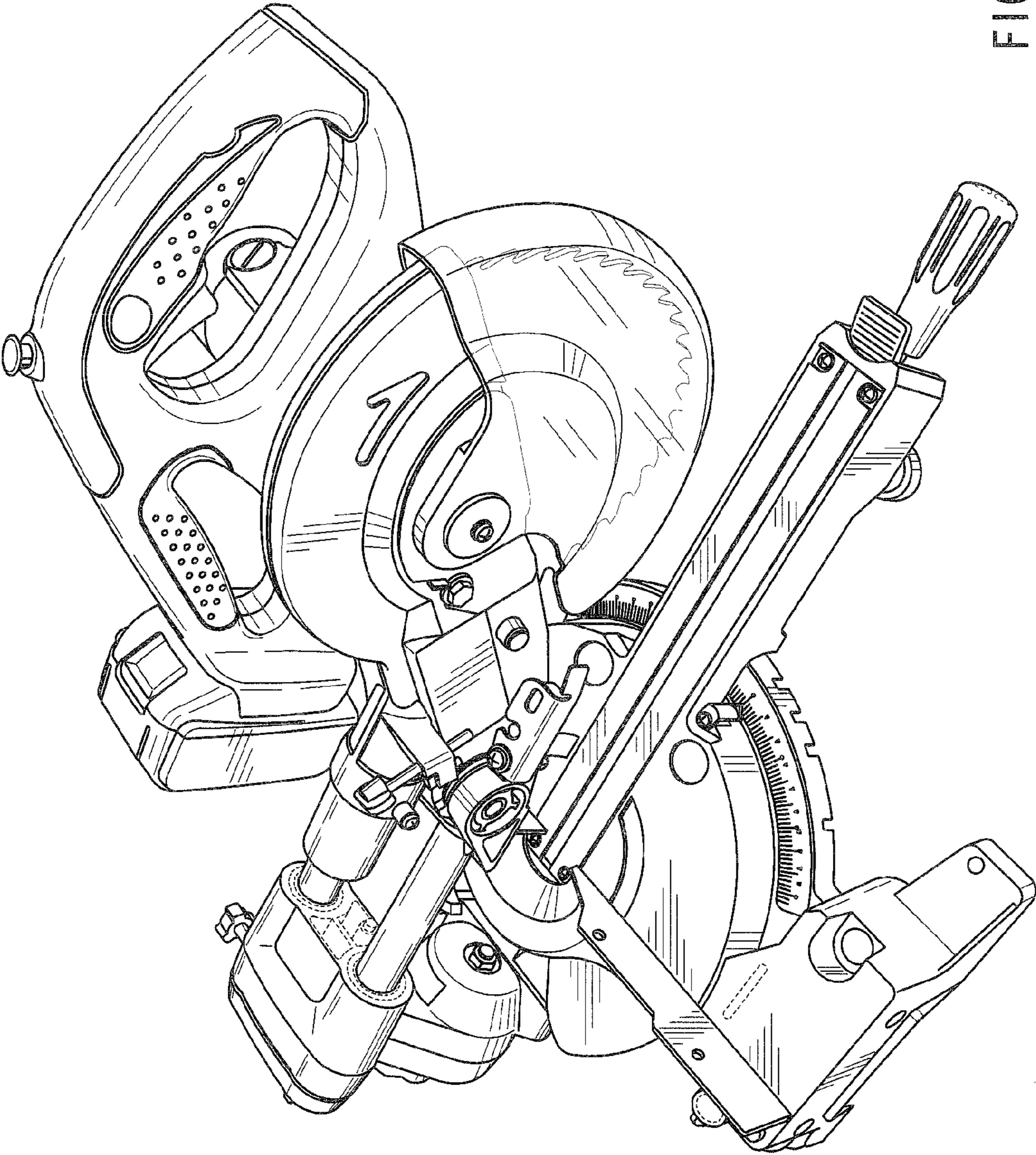


FIG. 1

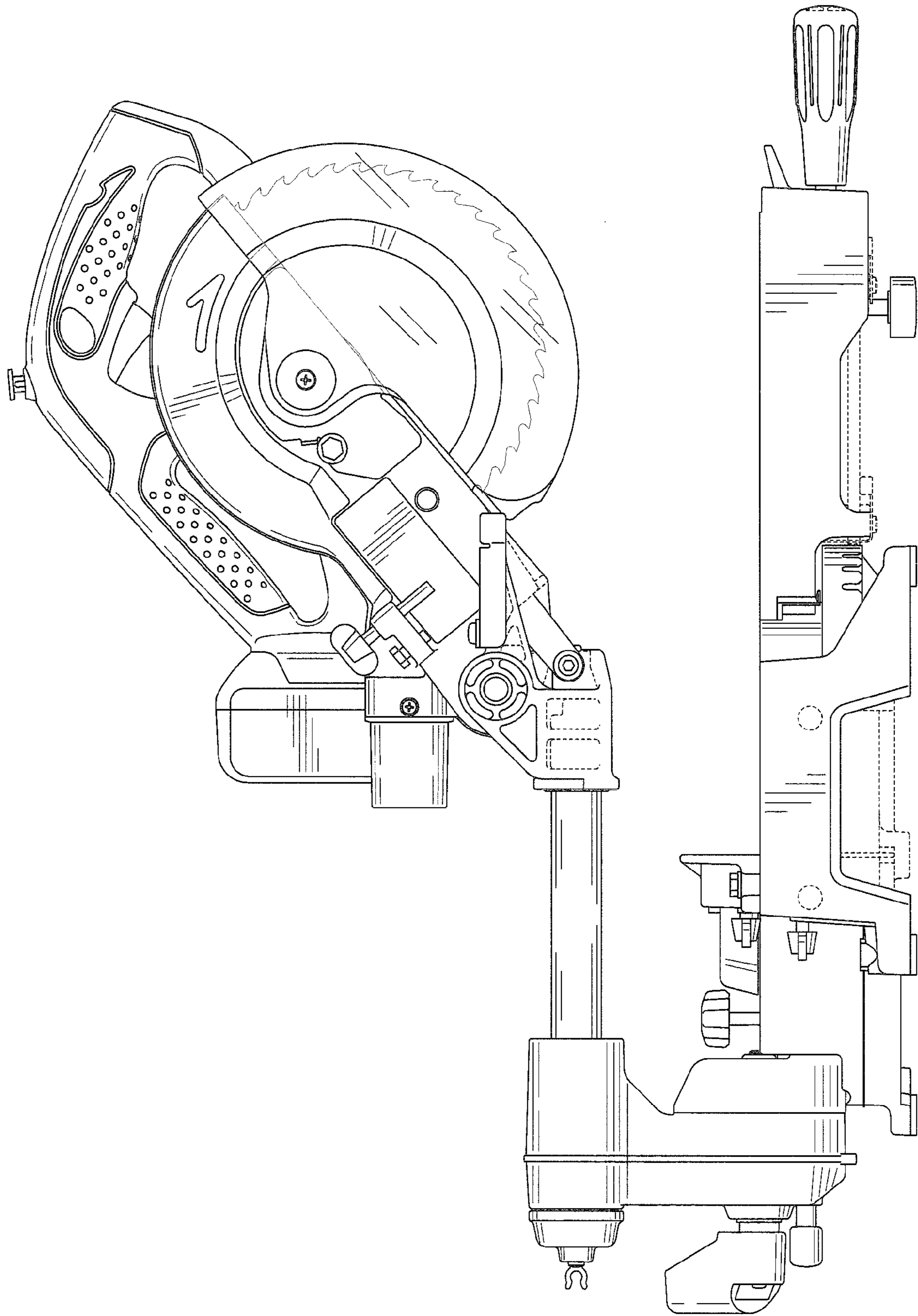


FIG. 2

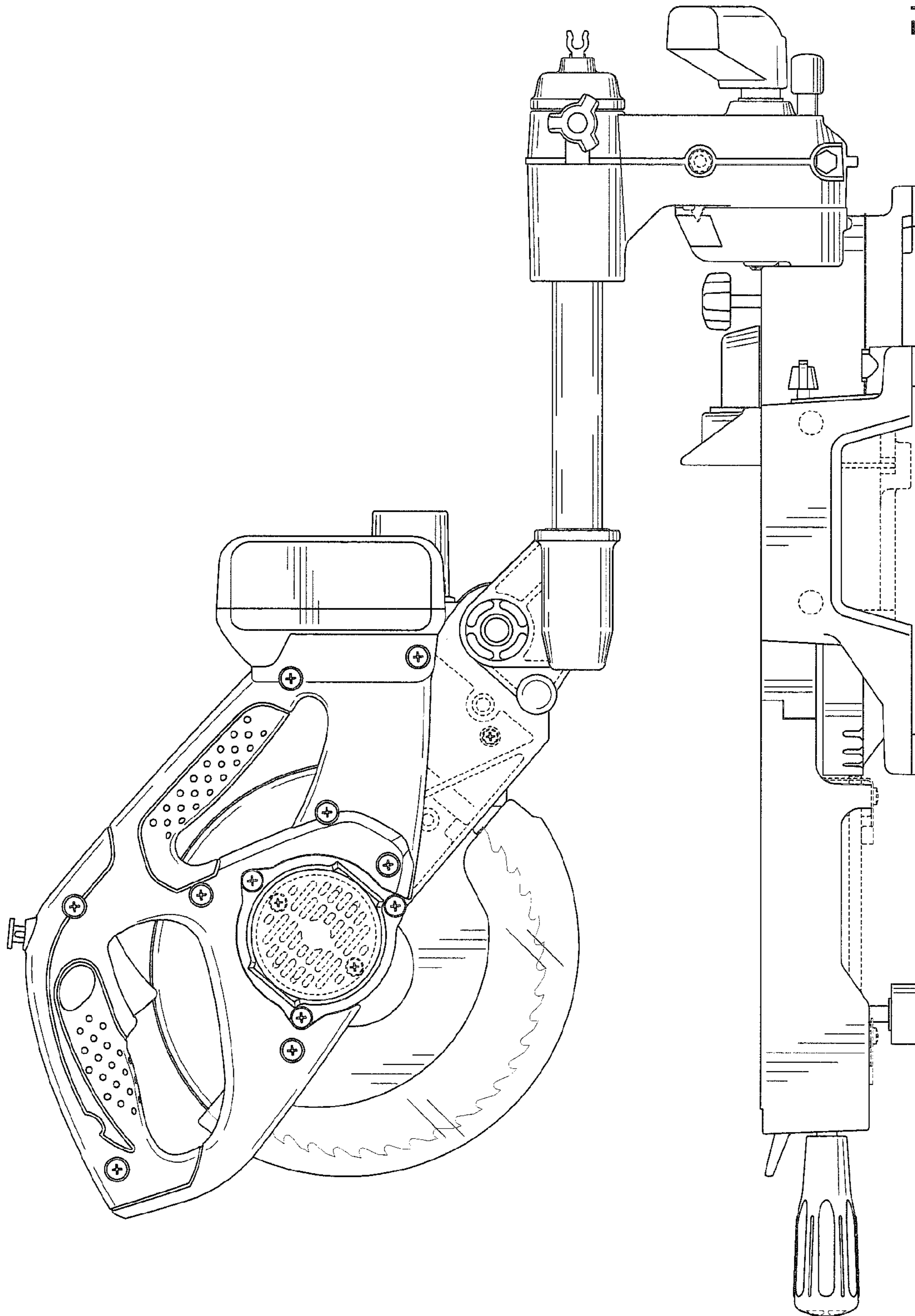


FIG. 3

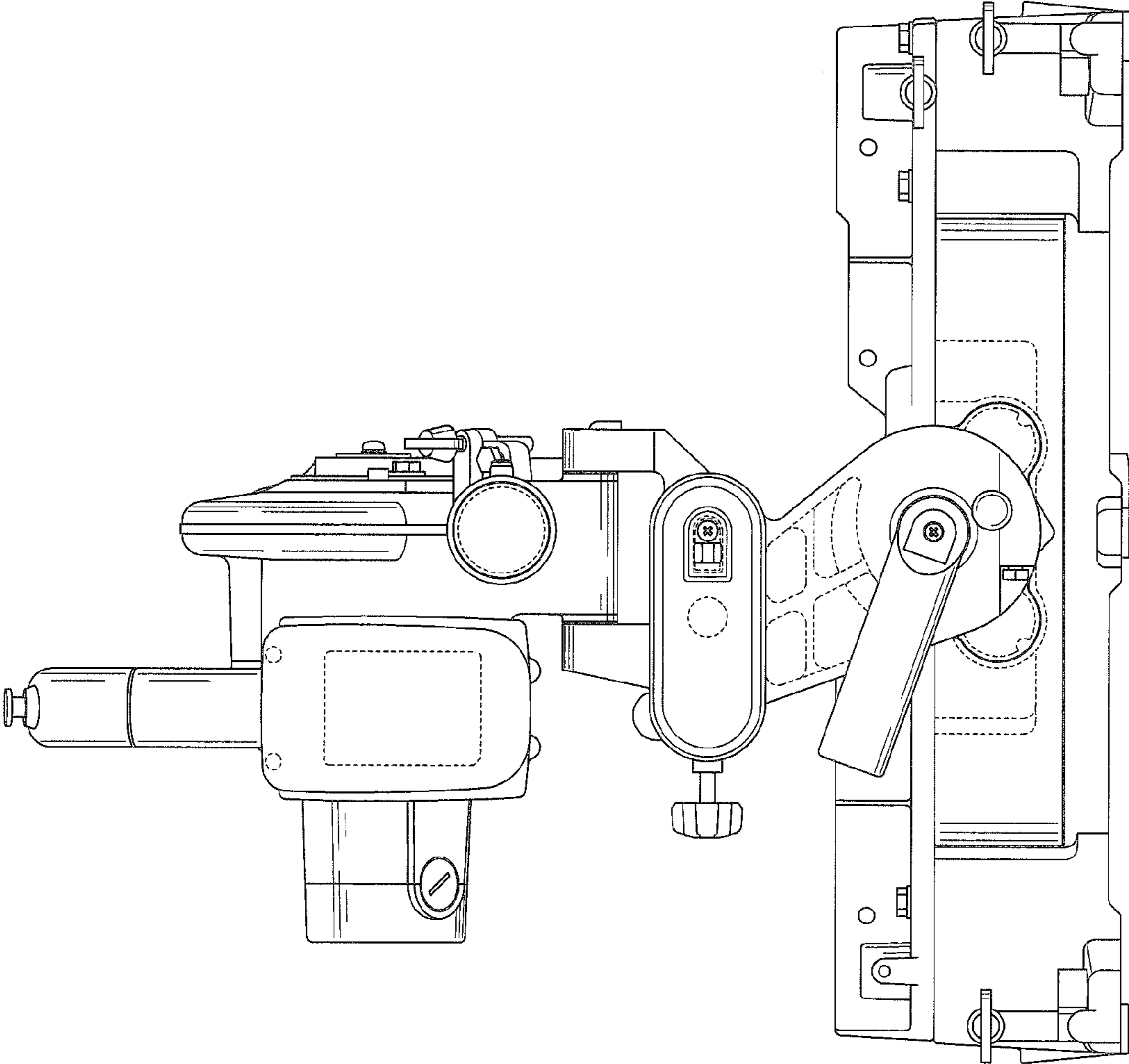


FIG. 4

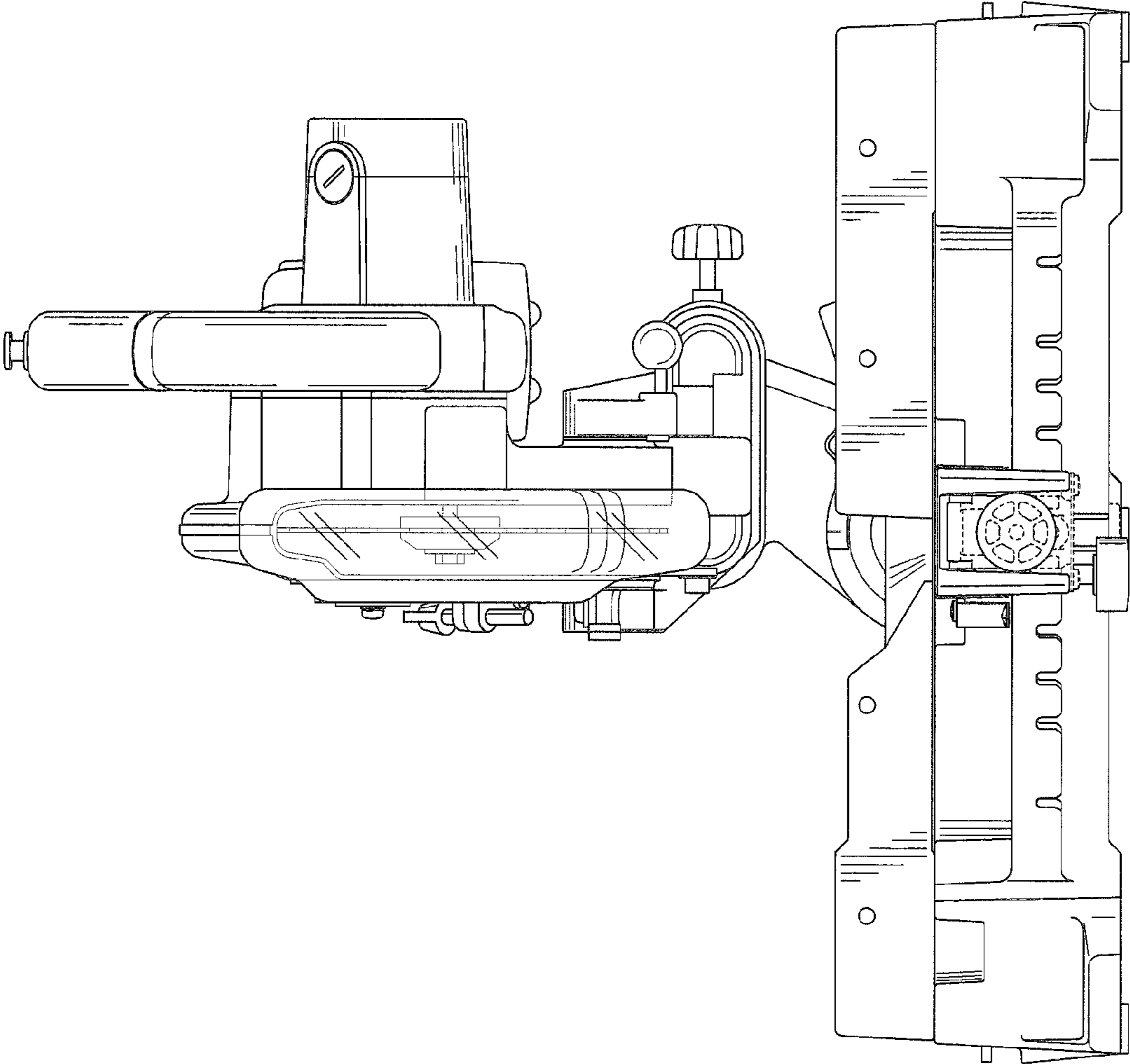


FIG. 5

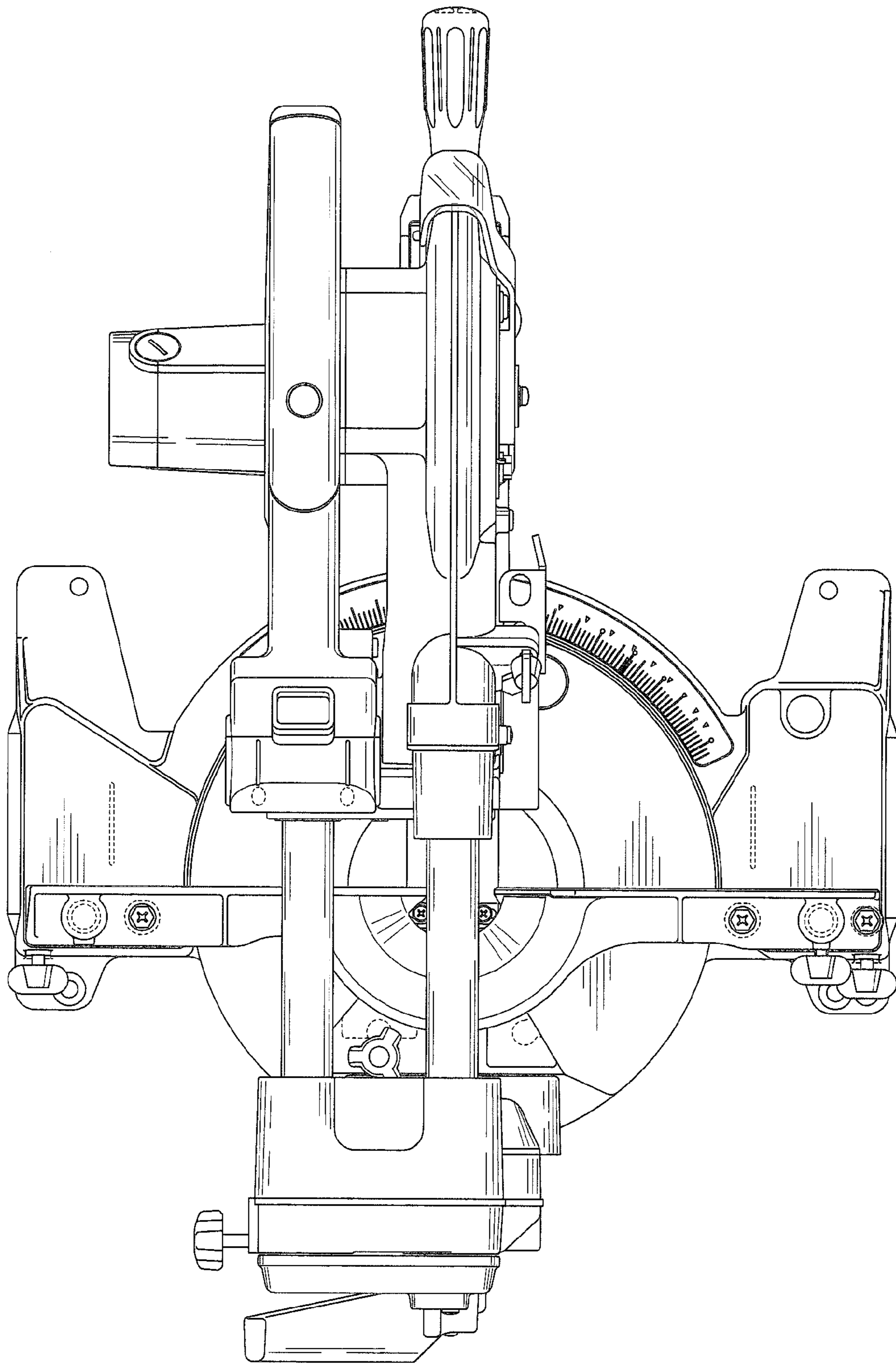


FIG. 6

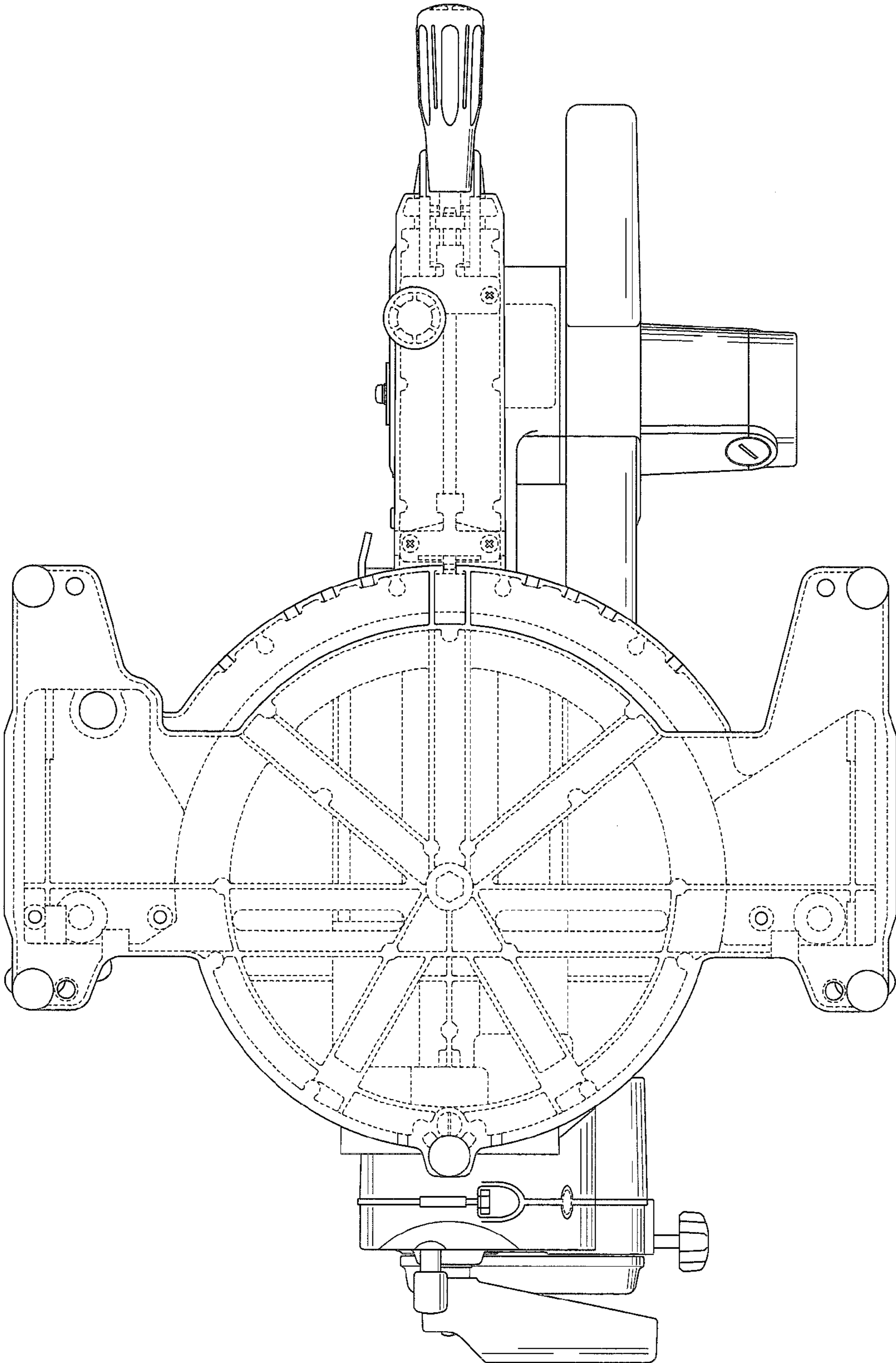


FIG. 7