



US00D642207S

(12) **United States Design Patent**
Kristiansen et al.

(10) **Patent No.:** **US D642,207 S**
(45) **Date of Patent:** **** Jul. 26, 2011**

(54) **REFRIGERATOR**

(75) Inventors: **Keith Kristiansen**, Edgewater, NJ (US);
Roland Charriez, Edgewater, NJ (US);
David Demar, Edgewater, NJ (US)

(73) Assignee: **LG Electronics Inc.**, Seoul (KR)

(**) Term: **14 Years**

(21) Appl. No.: **29/385,242**

(22) Filed: **Feb. 10, 2011**

D594,886 S * 6/2009 Wang et al. D15/86
D614,208 S * 4/2010 Seo et al. D15/86
D615,109 S * 5/2010 Yang et al. D15/86

* cited by examiner

Primary Examiner — Shanda C Hill

(74) *Attorney, Agent, or Firm* — Morgan, Lewis & Bockius LLP

(57) **CLAIM**

The ornamental design for a refrigerator, as shown and described.

Related U.S. Application Data

(63) Continuation of application No. 29/340,391, filed on Jul. 17, 2009.

(51) **LOC (9) Cl.** **15-07**

(52) **U.S. Cl.** **D15/86; D15/87**

(58) **Field of Classification Search** D15/79,
D15/81, 85, 86, 87, 88; 312/400-408; 62/3.6,
62/3.61-3.64, 236, 246, 440, 531
See application file for complete search history.

(56) **References Cited**

U.S. PATENT DOCUMENTS

D495,719 S * 9/2004 Kirchner et al. D15/86
D508,059 S * 8/2005 Seok et al. D15/86
D508,925 S * 8/2005 Seok et al. D15/86
D508,926 S * 8/2005 Seok et al. D15/86
D522,540 S * 6/2006 Cho et al. D15/86
D556,223 S * 11/2007 Wang et al. D15/86
D557,292 S * 12/2007 Lee et al. D15/86
D570,884 S * 6/2008 Yang et al. D15/86

DESCRIPTION

FIG. 1 is a perspective view of a refrigerator showing our new design;

FIG. 2 is a front view thereof;

FIG. 3 is a rear view thereof;

FIG. 4 is a left side view thereof;

FIG. 5 is a right side view thereof;

FIG. 6 is a top plan view thereof;

FIG. 7 is a bottom plan view thereof;

FIG. 8 is a perspective view thereof, shown in a first alternate position;

FIG. 9 is a perspective view thereof, shown in a second alternate position; and,

FIG. 10 is a perspective view thereof, shown in third alternate position.

The broken lines shown in the drawing disclosure are for illustrative purposes only and form no part of the claimed design.

1 Claim, 9 Drawing Sheets

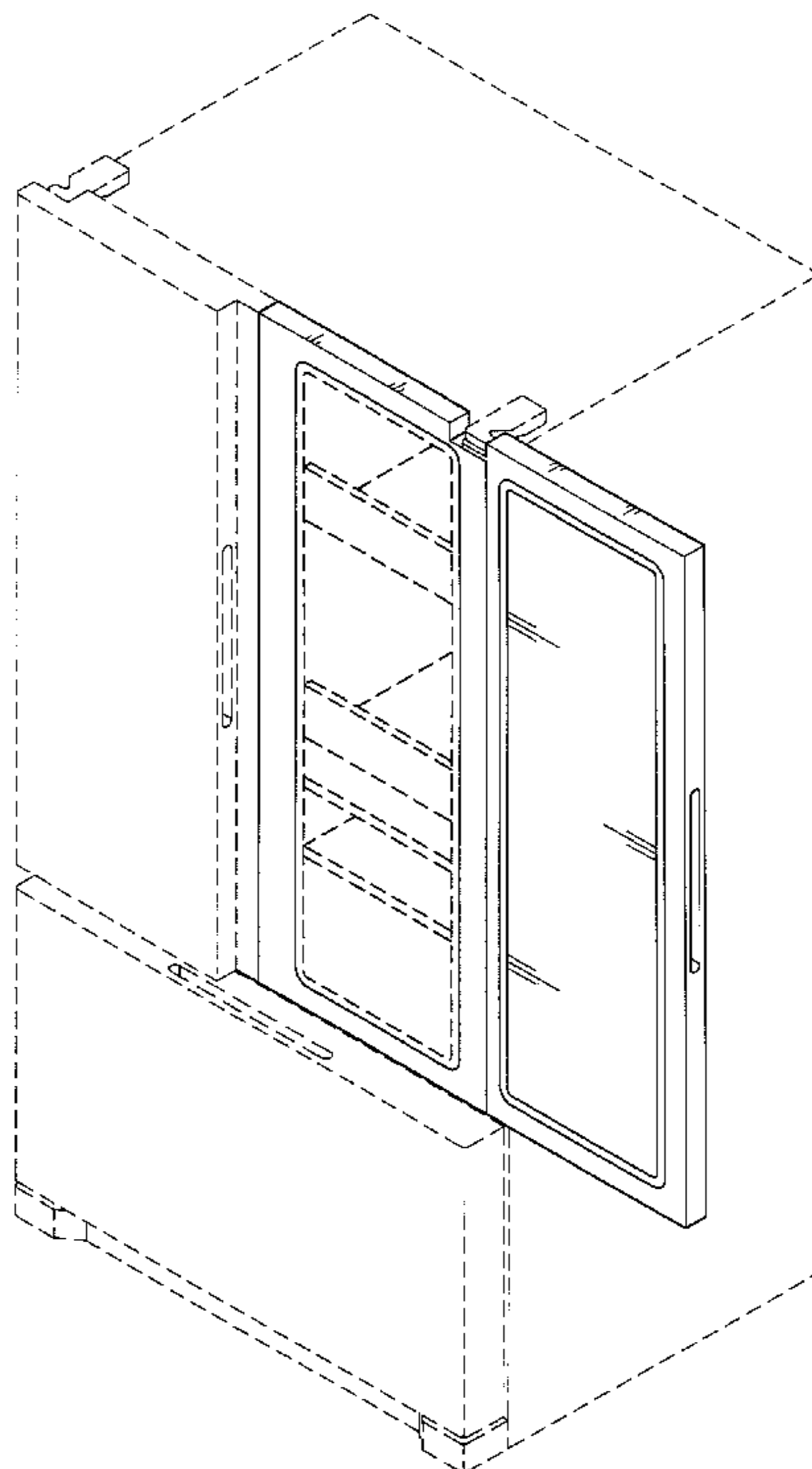


FIG. 1

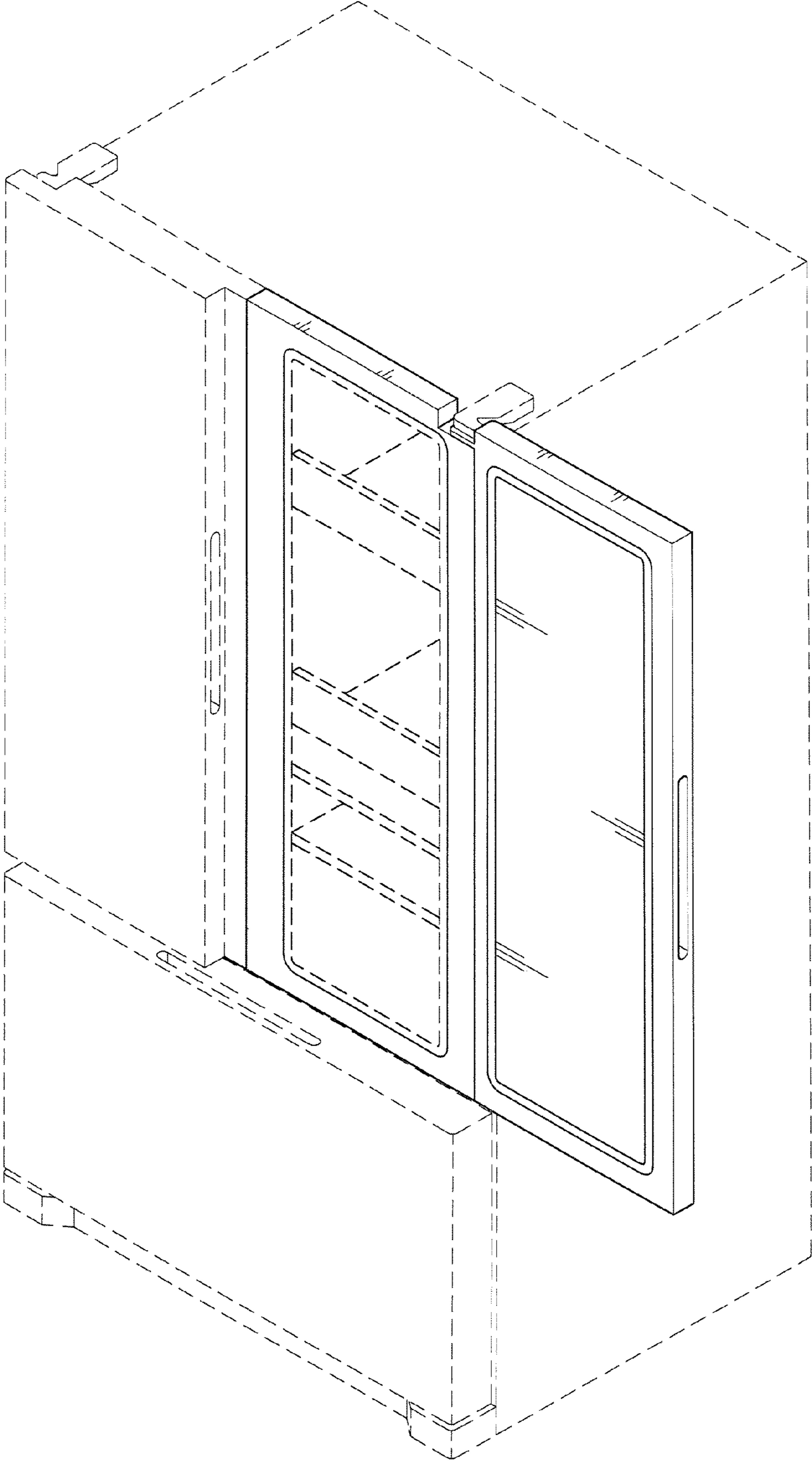


FIG. 2

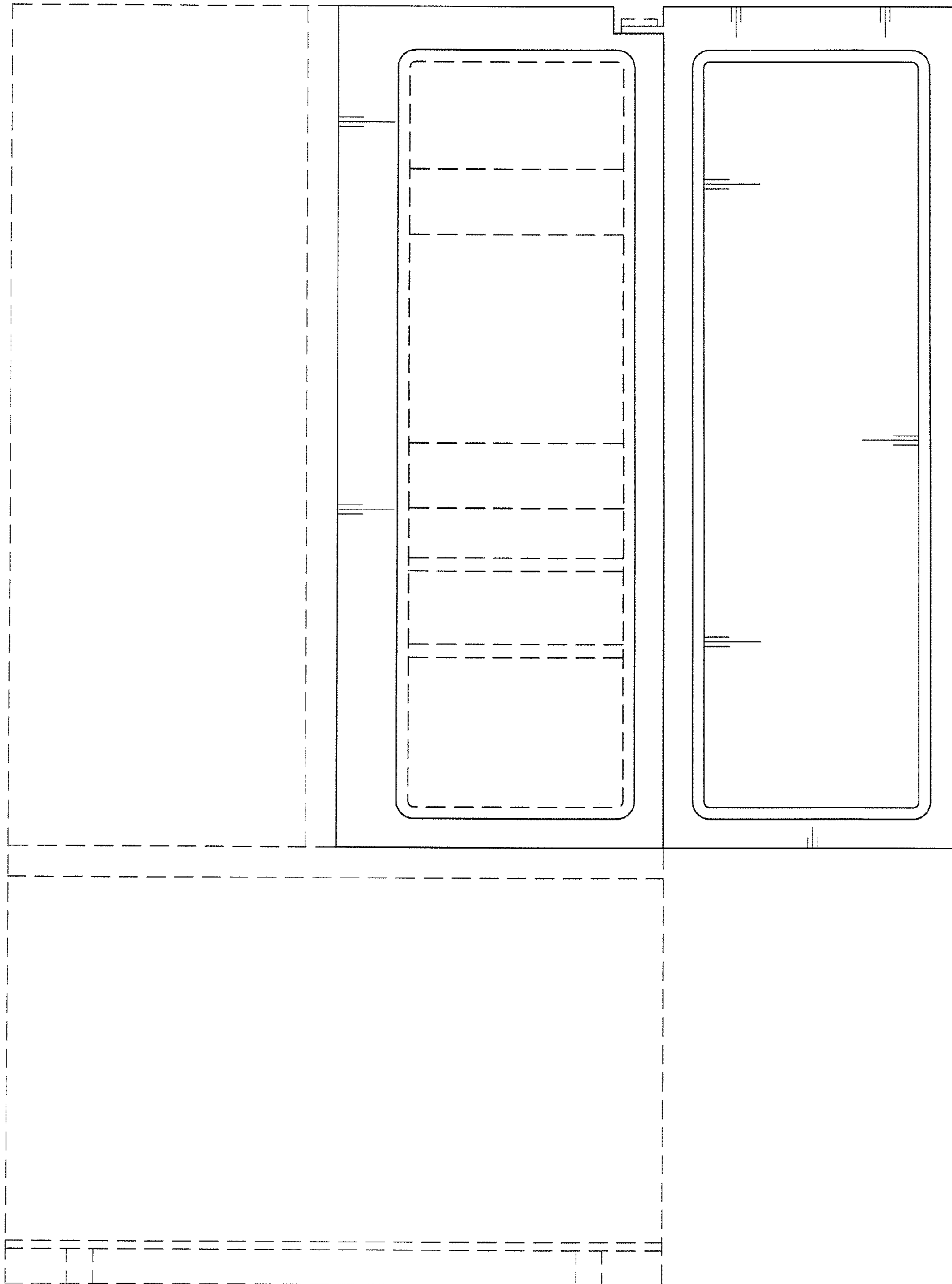


FIG. 3

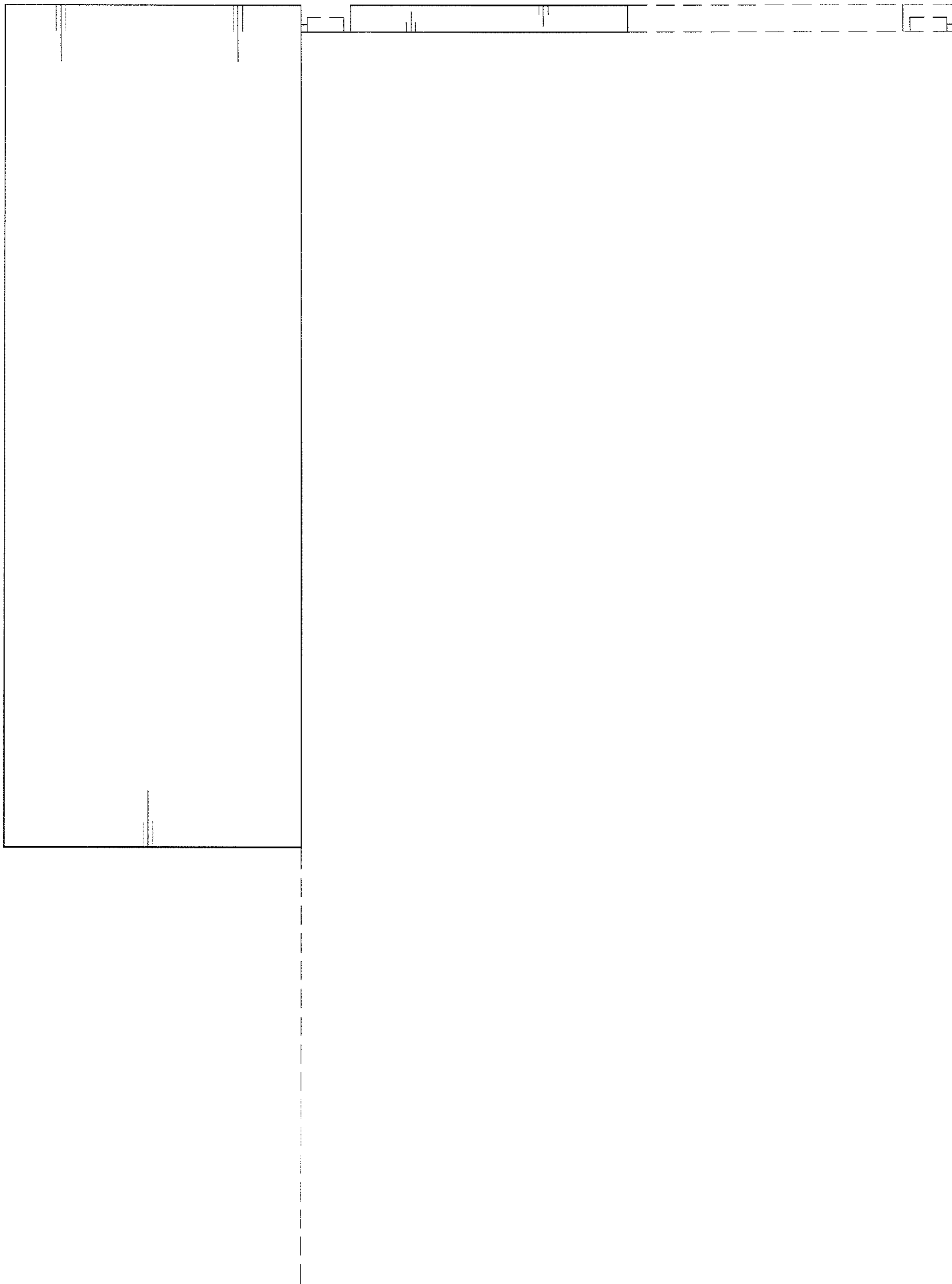


FIG. 4

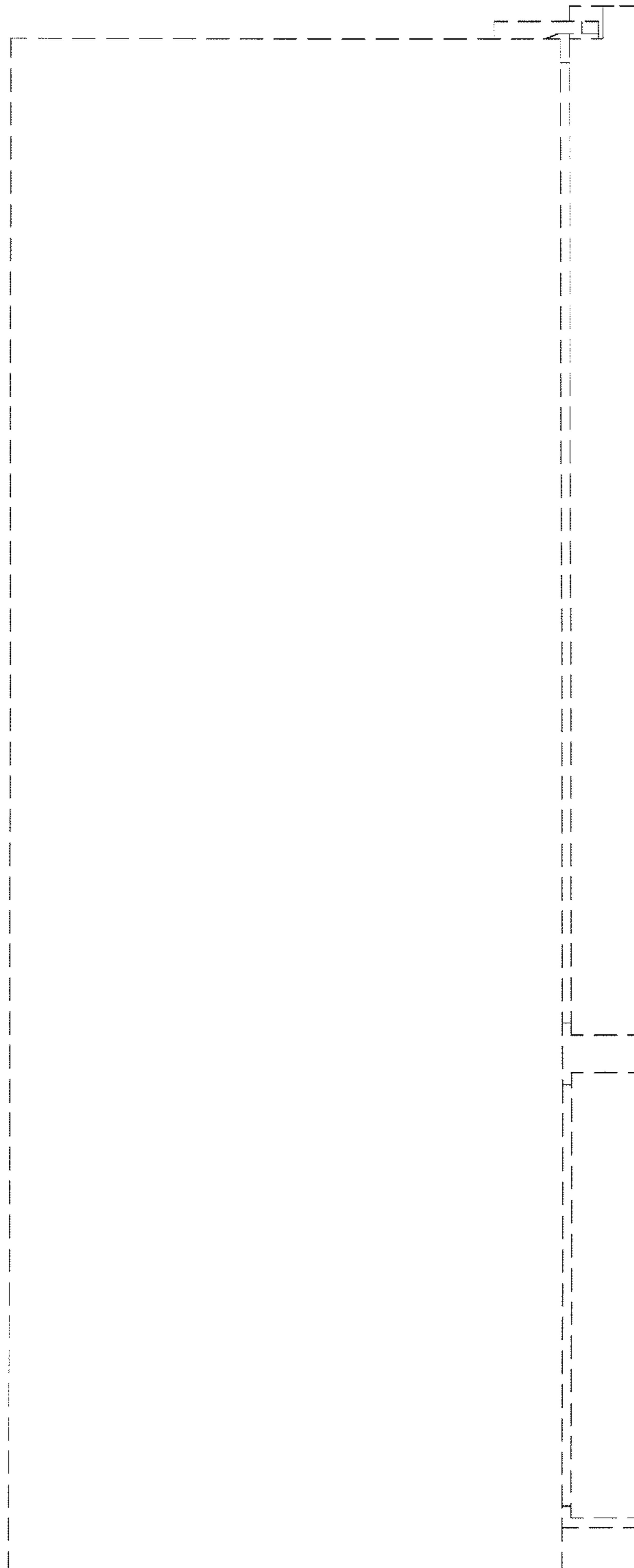


FIG. 5

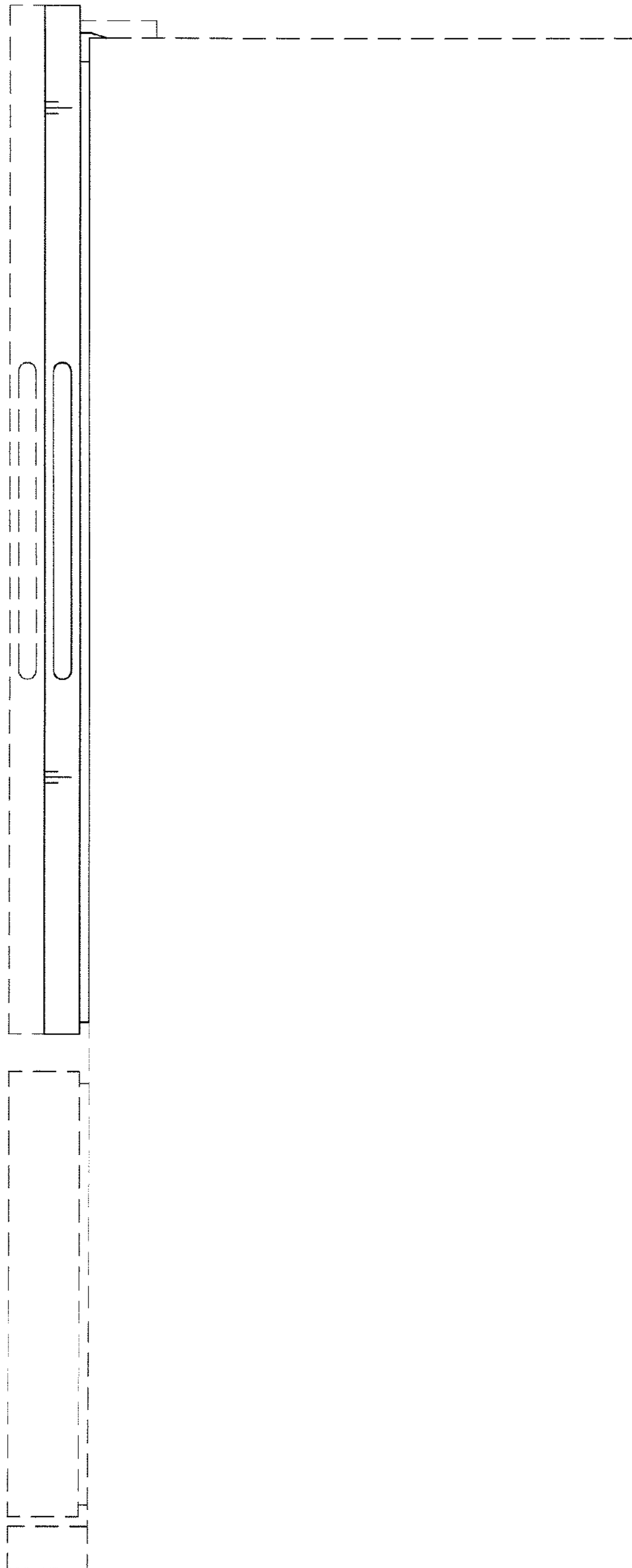


FIG. 6

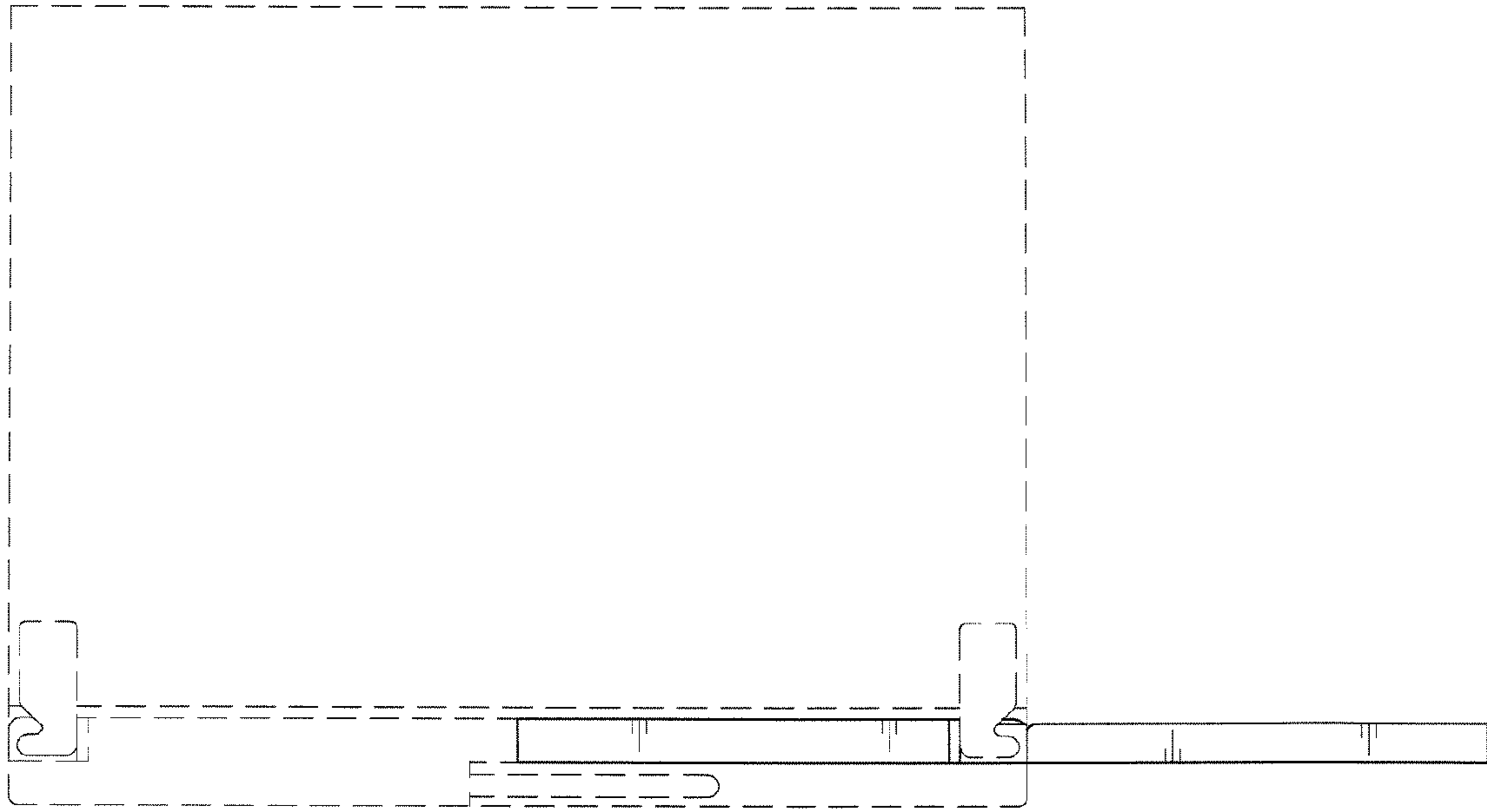


FIG. 7

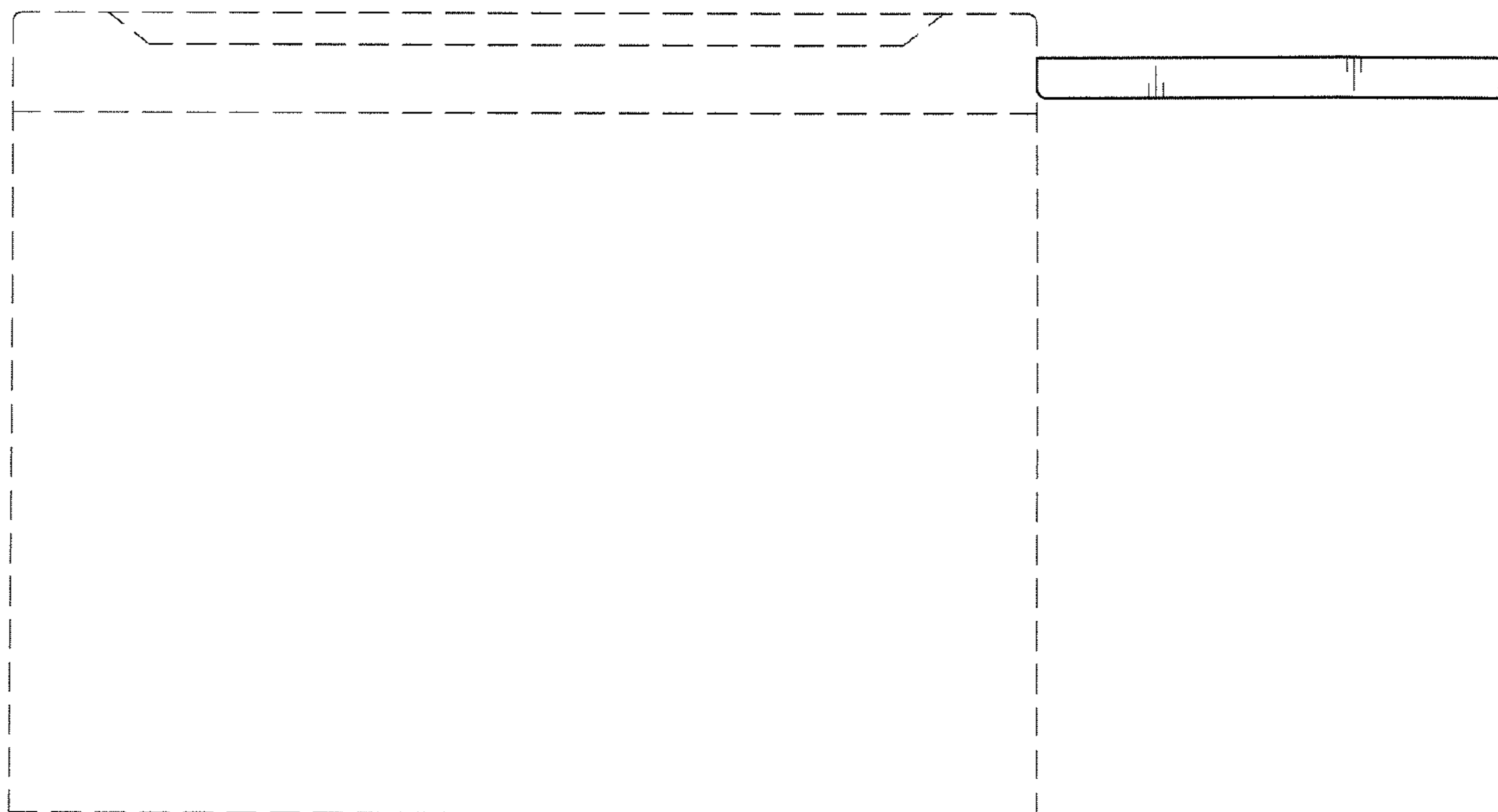


FIG. 8

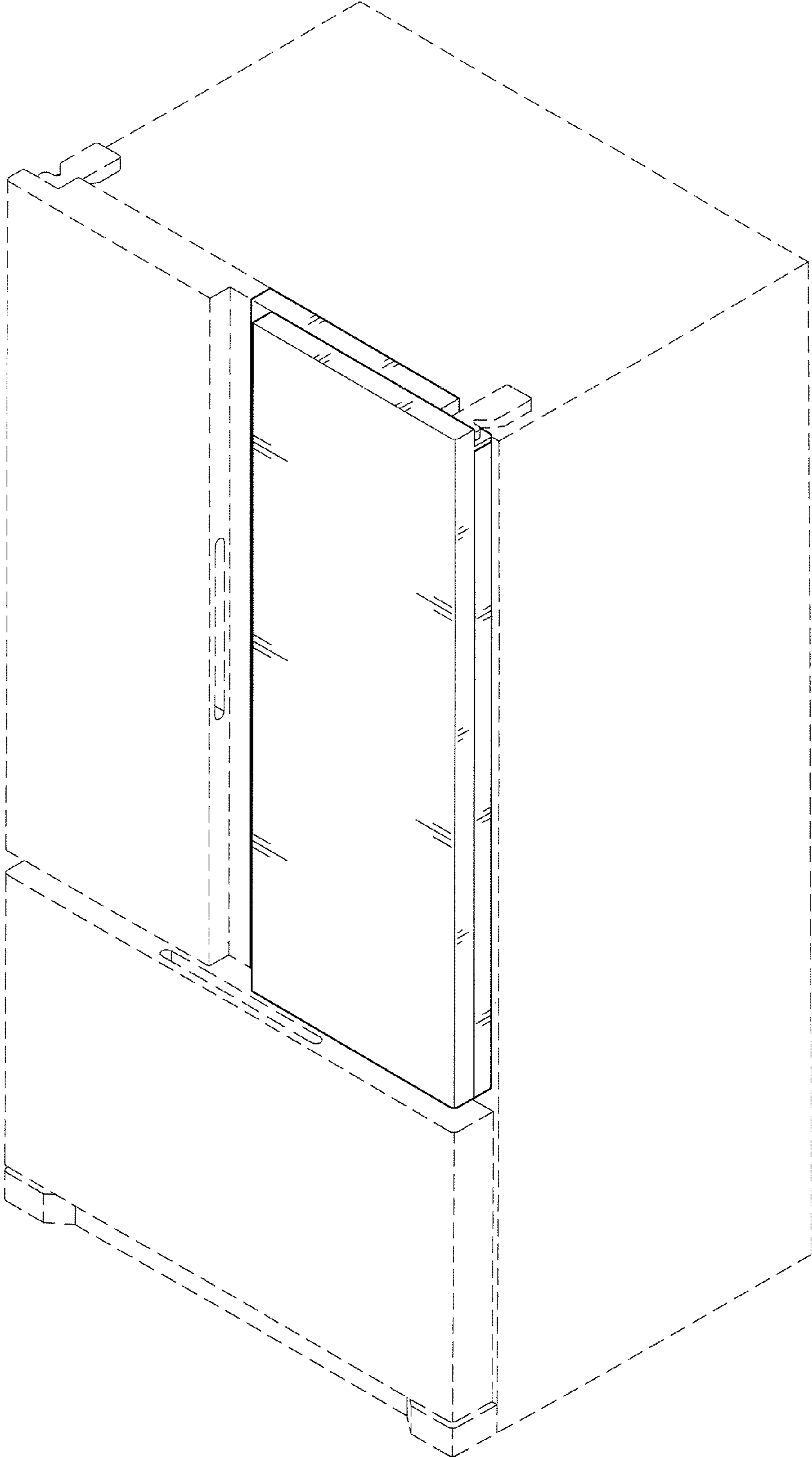


FIG. 9

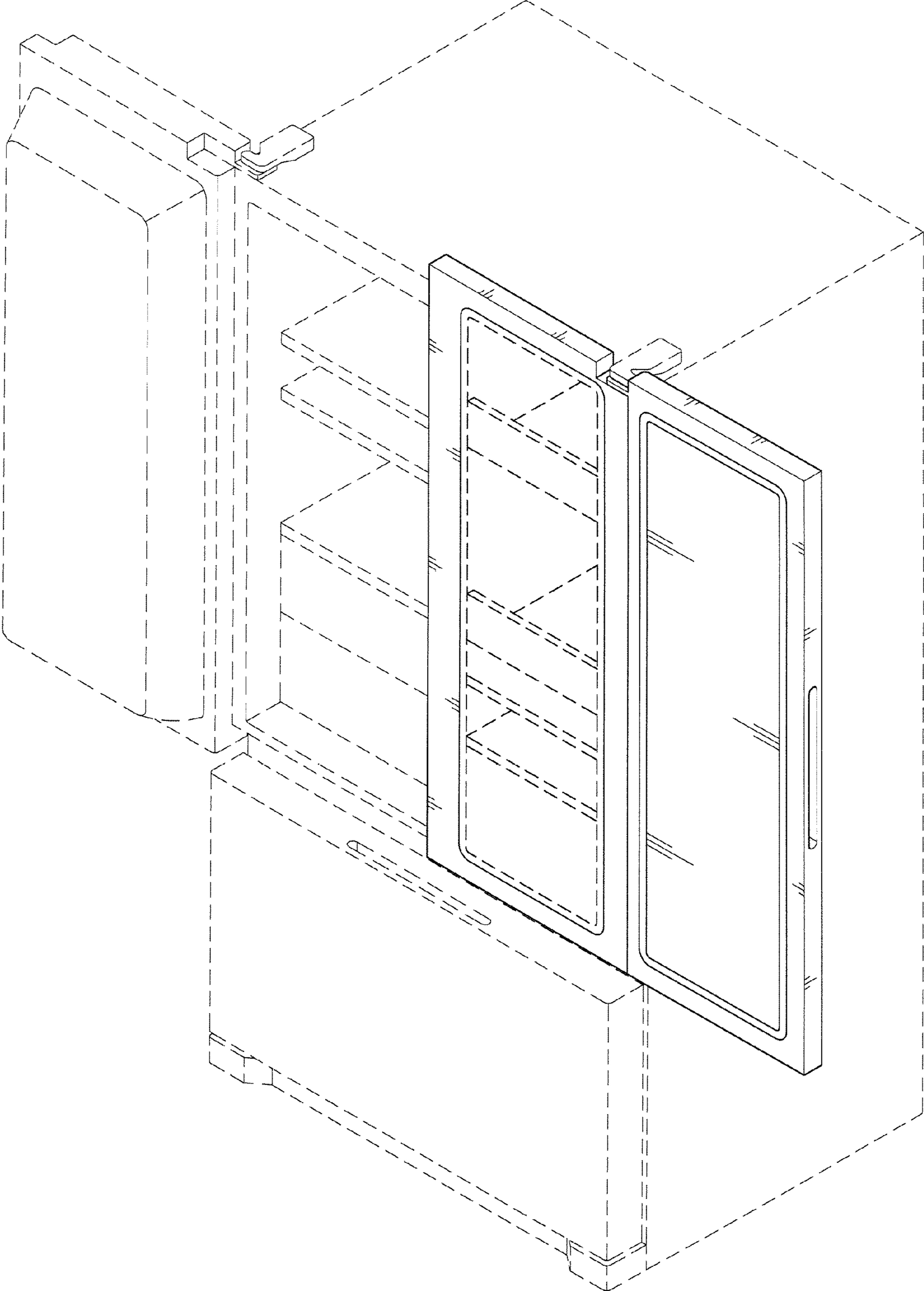


FIG. 10

