



US00D642206S

(12) **United States Design Patent**  
**Tseng**

(10) **Patent No.:** **US D642,206 S**

(45) **Date of Patent:** **\*\* Jul. 26, 2011**

(54) **SEWING MACHINE**

(75) Inventor: **Shui-Chun Tseng**, Taichung Hsien  
(TW)

(73) Assignee: **Zeng Hsing Industrial Co., Ltd.**,  
Taiping, Taichung Hsien (TW)

(\*\*) Term: **14 Years**

(21) Appl. No.: **29/380,365**

(22) Filed: **Dec. 3, 2010**

(51) **LOC (9) Cl.** ..... **15-06**

(52) **U.S. Cl.** ..... **D15/70**

(58) **Field of Classification Search** ..... D15/66,  
D15/68, 69, 70; 112/255-261, 400, 475.01;  
D21/527

See application file for complete search history.

(56) **References Cited**

**U.S. PATENT DOCUMENTS**

D515,111 S *	2/2006	Egami	.....	D15/70
D527,394 S *	8/2006	Rosenzweig	.....	D15/70
D568,908 S *	5/2008	Gustafsson	.....	D15/70
D578,554 S *	10/2008	Inada	.....	D15/70

D579,030 S *	10/2008	Woehrle	.....	D15/70
D591,312 S *	4/2009	Mori et al.	.....	D15/70
D628,606 S *	12/2010	Kanai	.....	D15/70

\* cited by examiner

*Primary Examiner* — Shanda C Hill

(74) *Attorney, Agent, or Firm* — Ladas & Parry LLP

(57) **CLAIM**

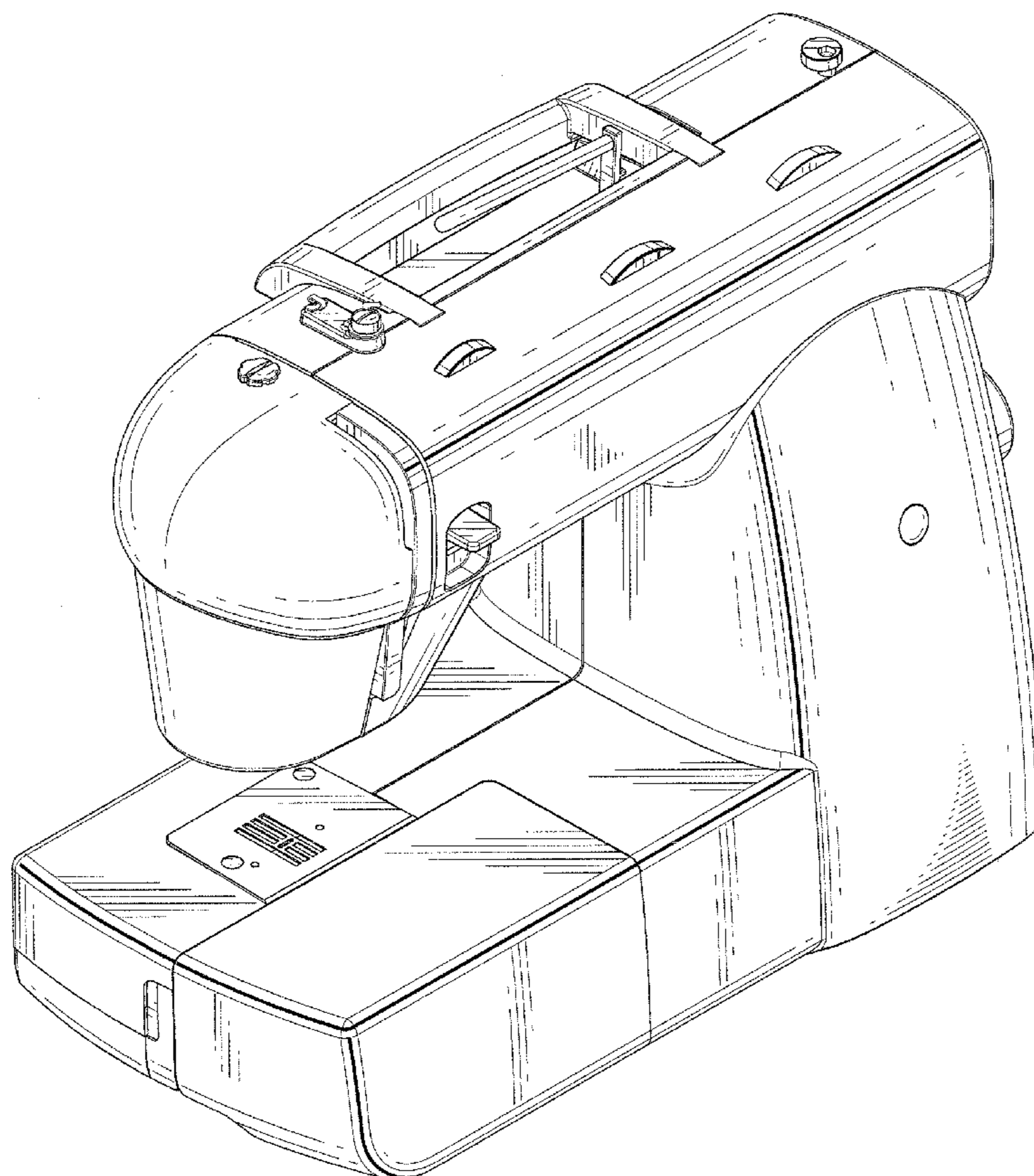
The ornamental design for sewing machine, as shown and described.

**DESCRIPTION**

FIG. 1 is a perspective view of sewing machine showing my new design;  
FIG. 2 is a front elevational view thereof;  
FIG. 3 is a rear elevational view thereof;  
FIG. 4 is a left side elevational view thereof;  
FIG. 5 is a right side elevational view thereof;  
FIG. 6 is a top plan view thereof; and,  
FIG. 7 is a bottom plan view thereof.

The broken lines shown in the drawing disclosure are for illustrative purposes only and form no part of the claimed design.

**1 Claim, 7 Drawing Sheets**



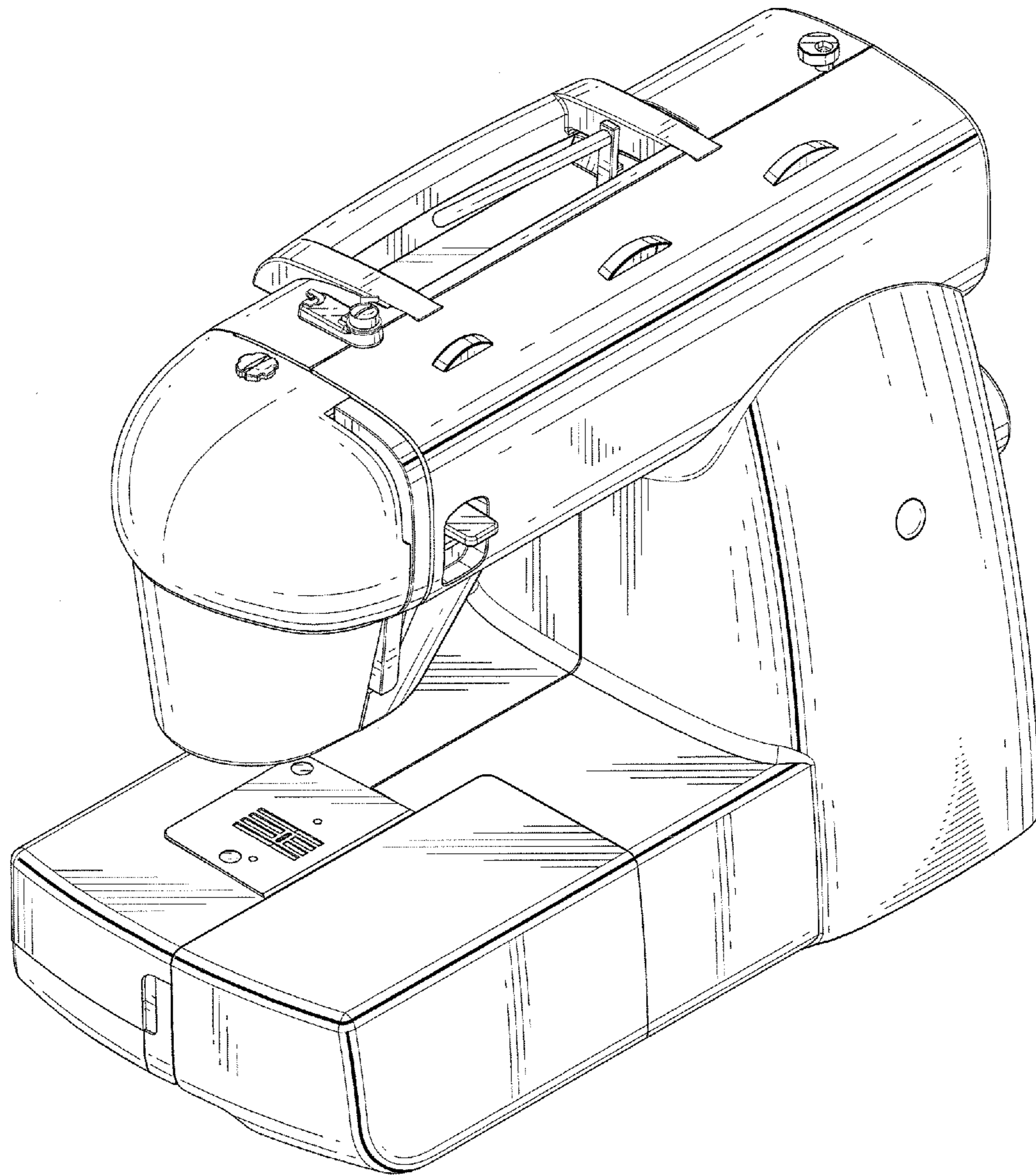


FIG. 1

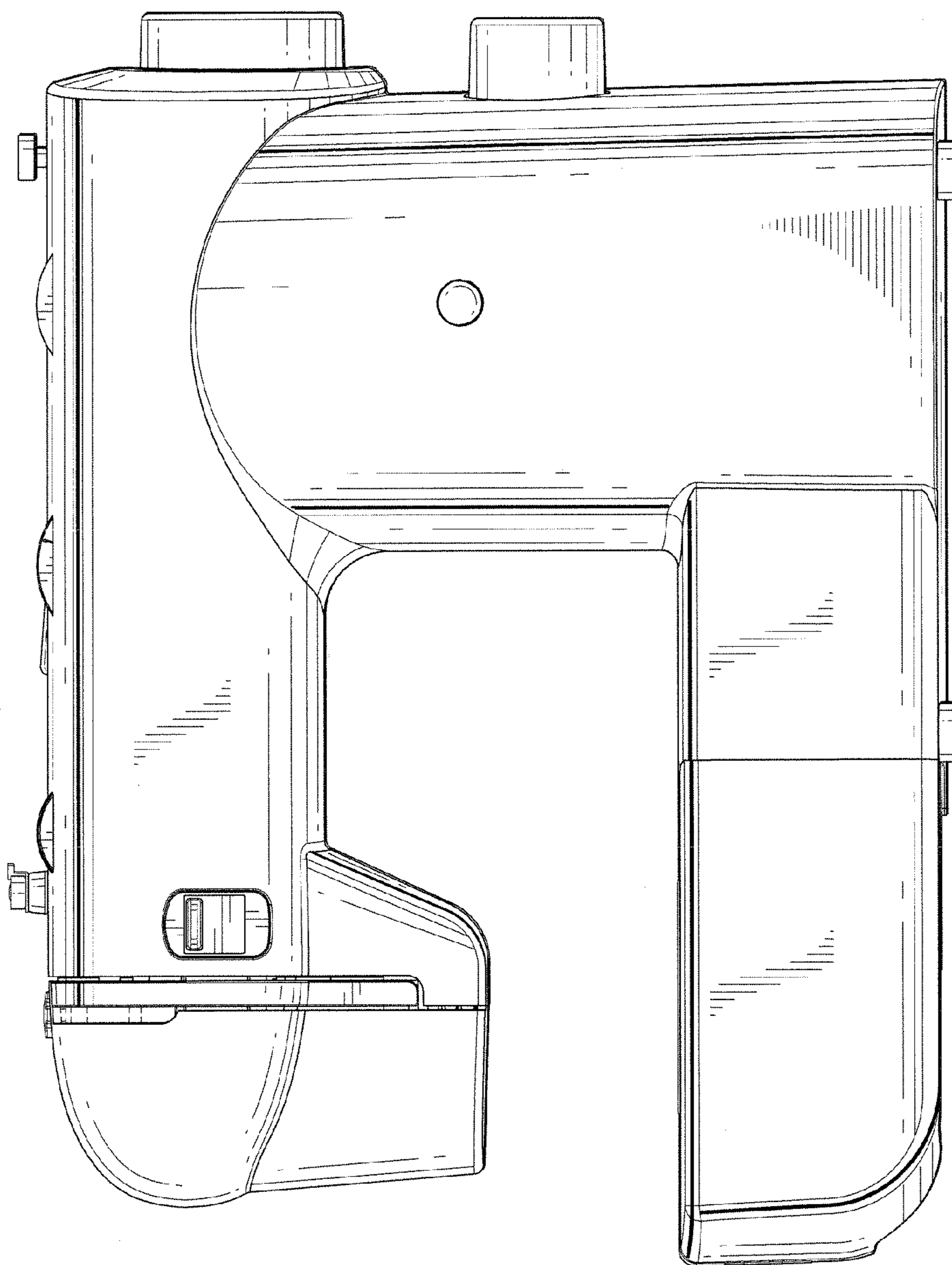


FIG. 2

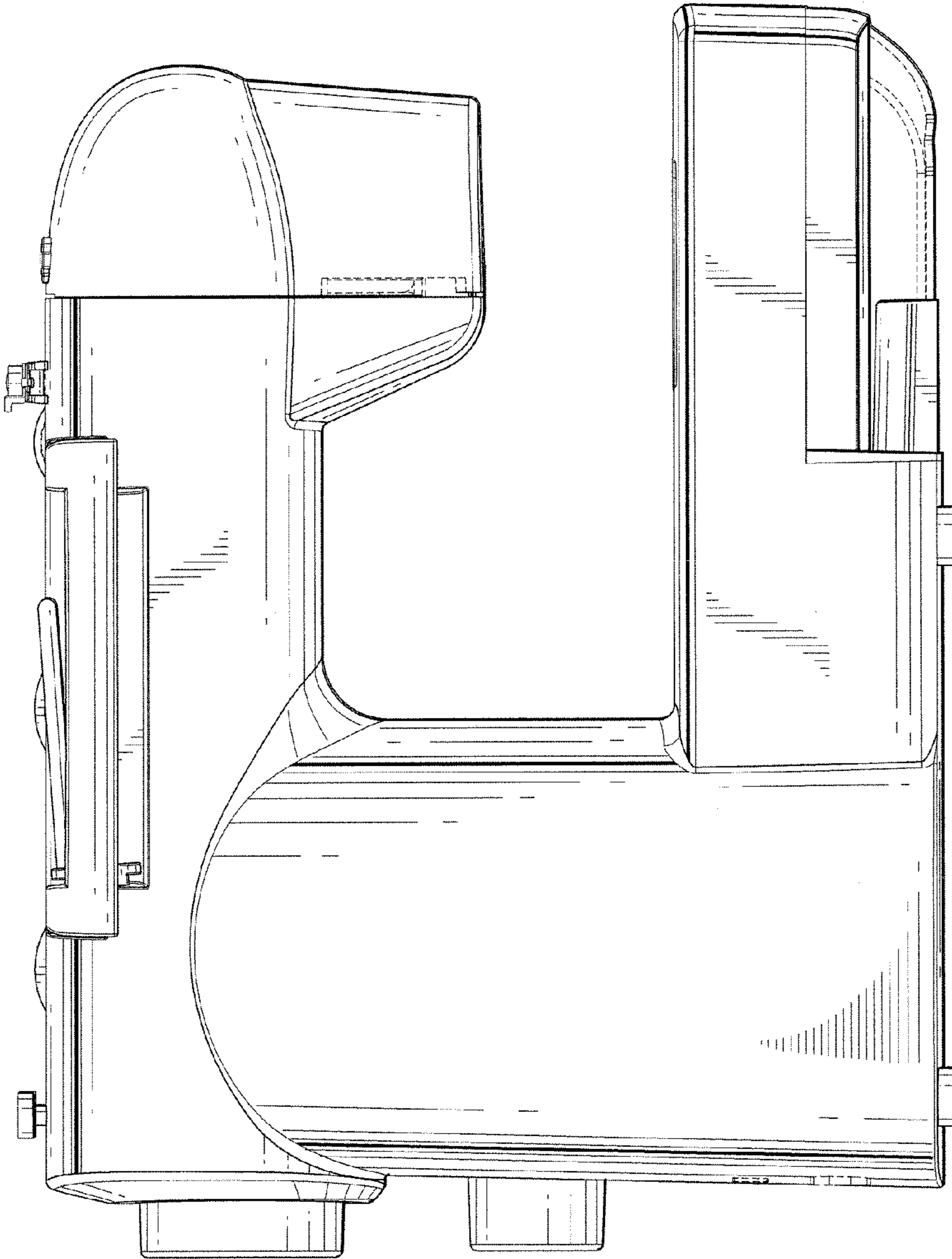


FIG. 3

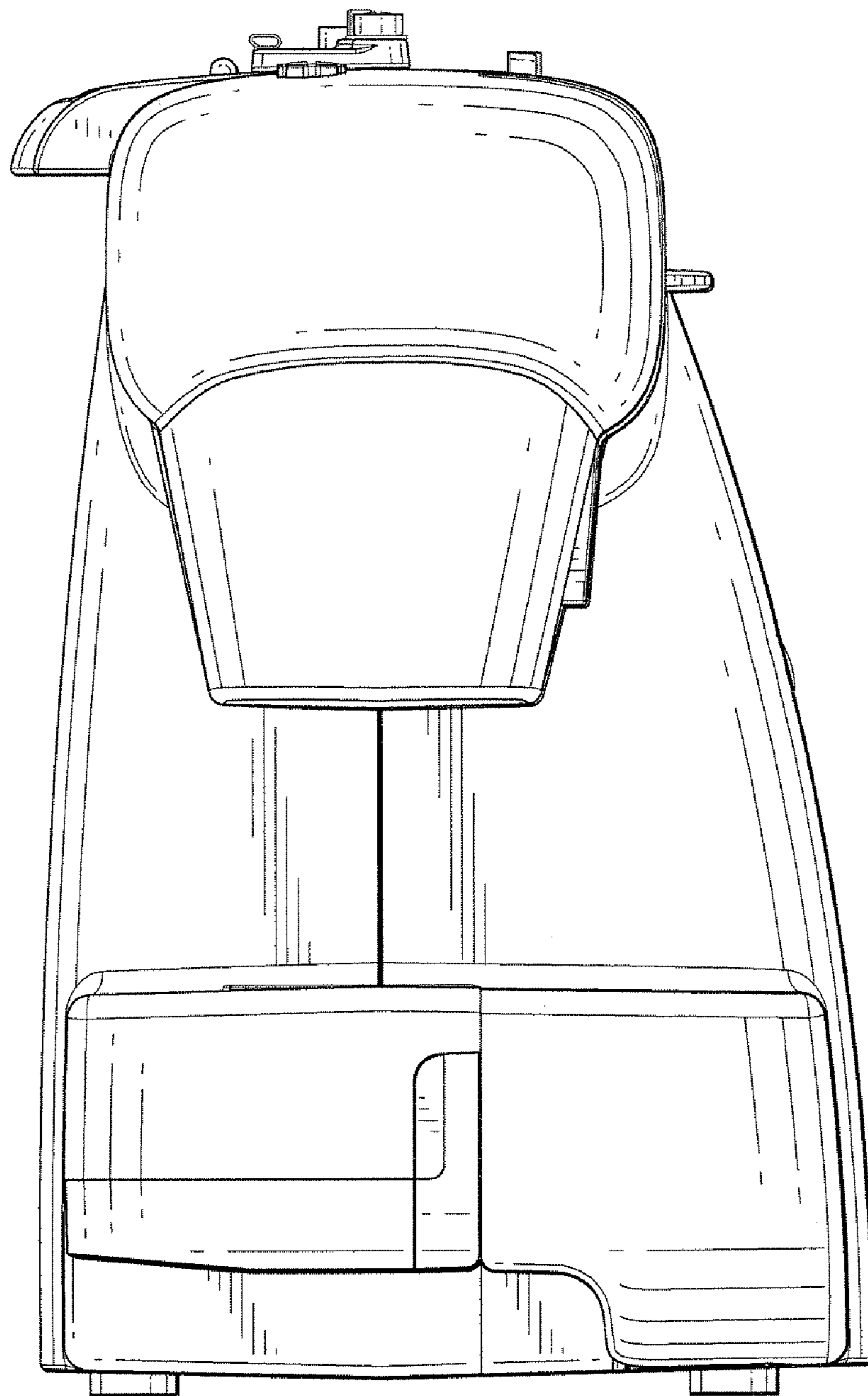


FIG. 4

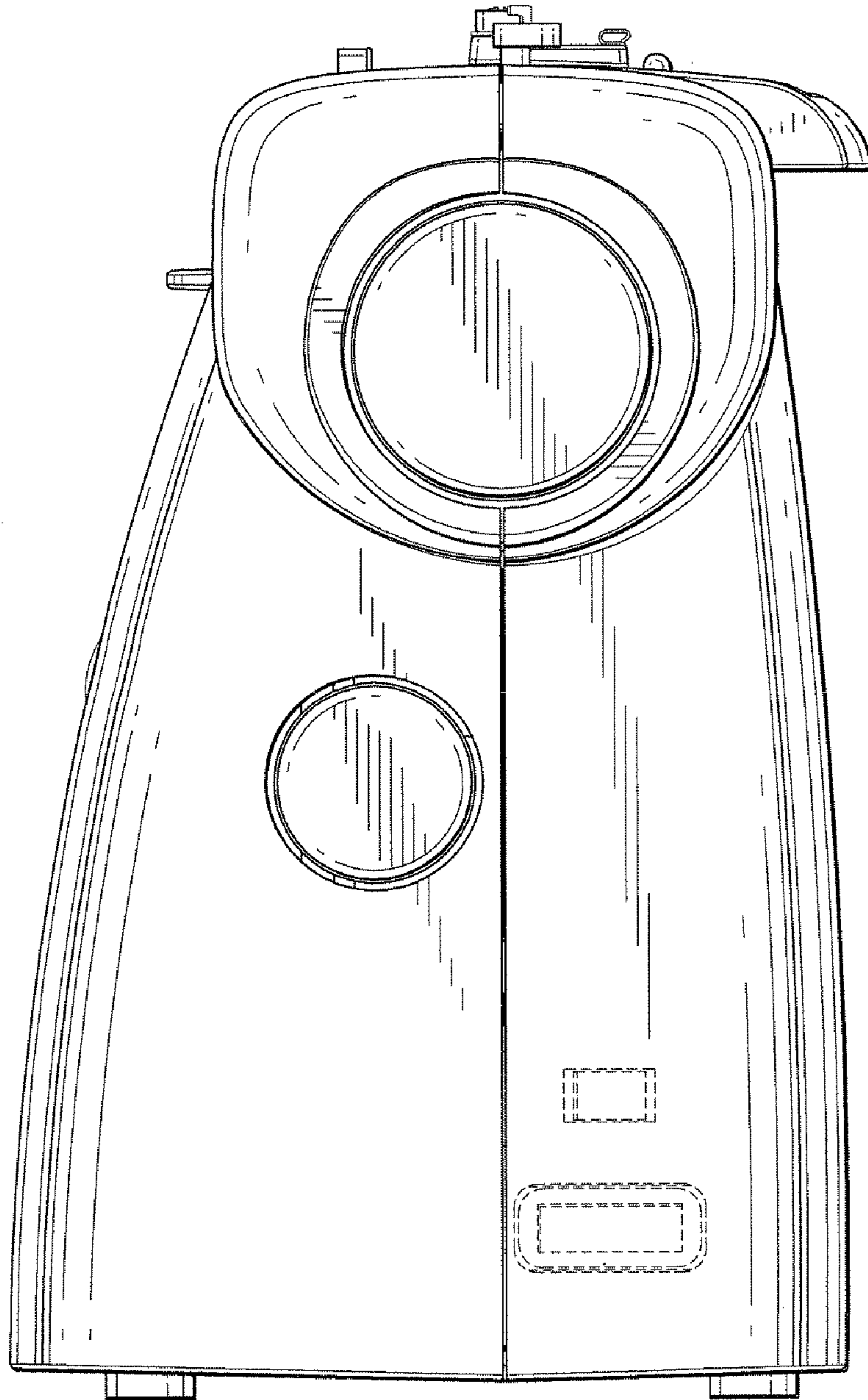


FIG. 5

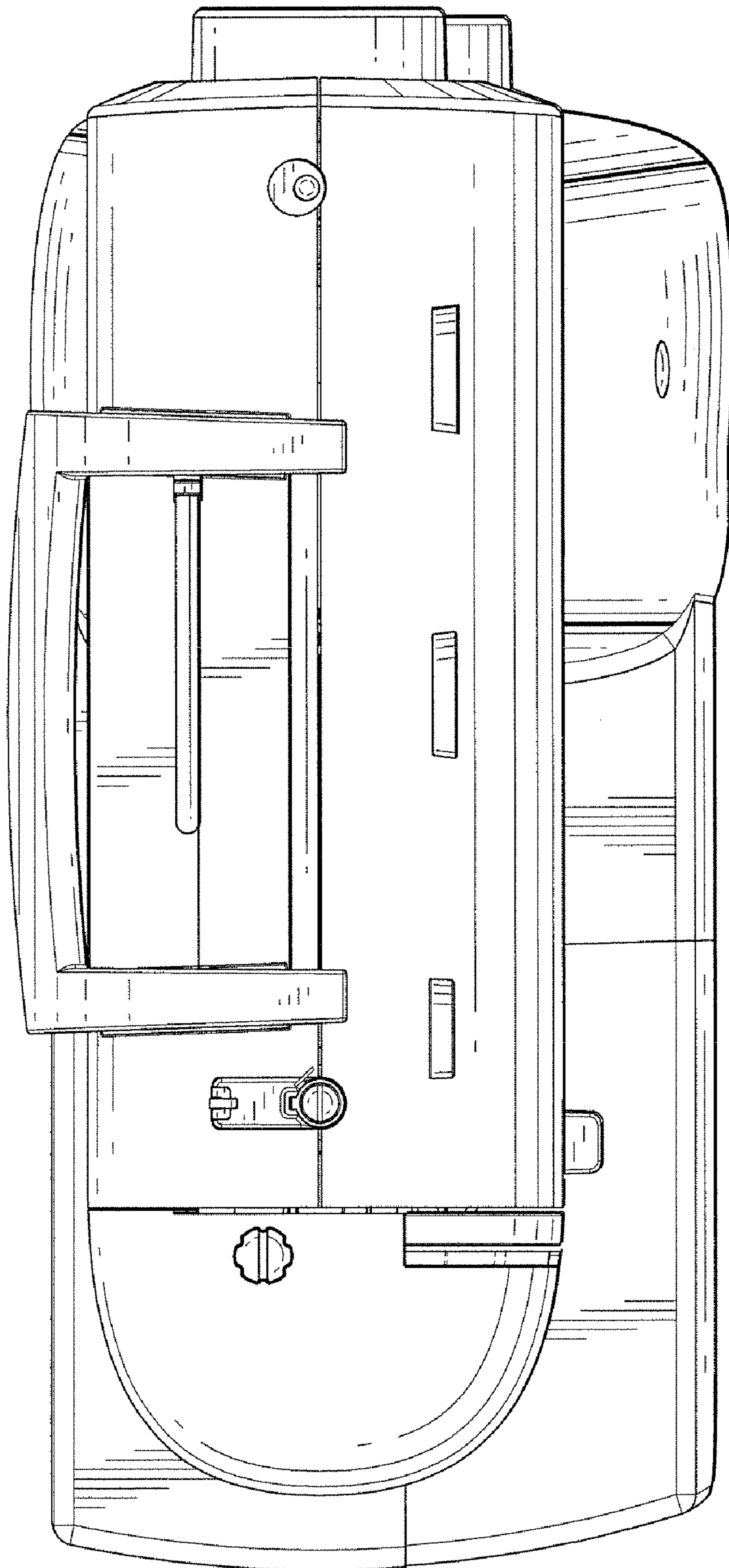


FIG. 6

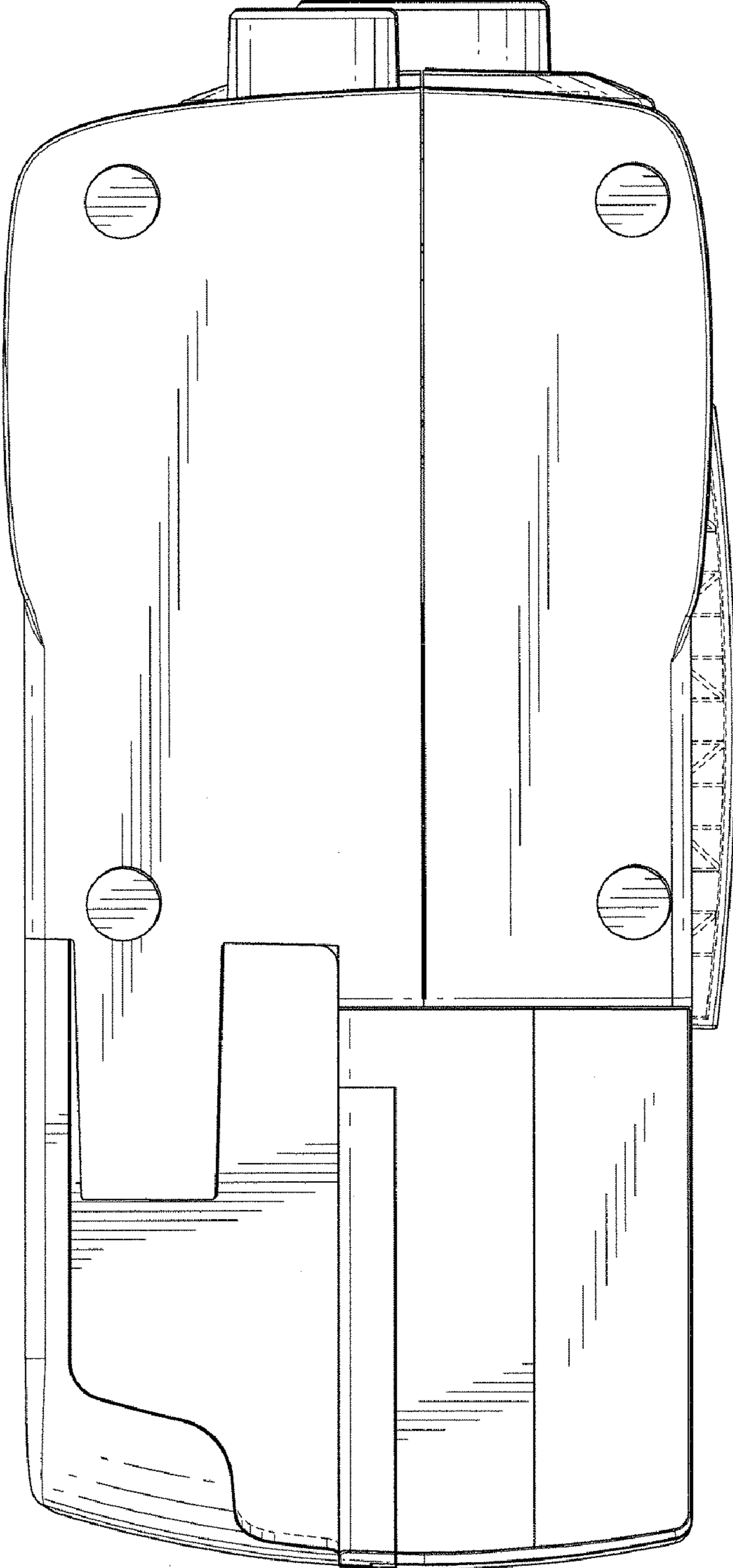


FIG. 7