



US00D642205S

(12) **United States Design Patent**
Yamamoto et al.

(10) **Patent No.:** **US D642,205 S**
(45) **Date of Patent:** **** Jul. 26, 2011**

(54) **CAB FOR CONSTRUCTION MACHINE**

(75) Inventors: **Keiji Yamamoto**, Hiroshima (JP);
Shuichi Ono, Hiroshima (JP); **Kenta Kojima**, Hiroshima (JP); **Hideki Okubo**, Hiroshima (JP)

(73) Assignee: **Kobelco Construction Machinery Co., Ltd.**, Hiroshima-Shi (JP)

(**) Term: **14 Years**

(21) Appl. No.: **29/382,746**

(22) Filed: **Jan. 6, 2011**

D348,678 S	7/1994	Budde	
D366,267 S *	1/1996	Lepoix	D15/30
D389,984 S *	1/1998	Johansson	D34/37
D424,778 S	5/2000	Dahl et al.	
D438,878 S	3/2001	Brandenburg et al.	
D446,225 S	8/2001	Brandenburg et al.	
D455,763 S	4/2002	Brandenburg et al.	
D463,461 S	9/2002	Yanagida et al.	
D463,462 S	9/2002	Yanagida et al.	
D463,807 S	10/2002	Tamaru et al.	
D471,213 S	3/2003	Kwak et al.	
D479,536 S	9/2003	Dahl et al.	
D481,044 S	10/2003	Tokach et al.	
D481,398 S	10/2003	Tokach et al.	
D487,100 S	2/2004	Tokach et al.	
D497,920 S	11/2004	Antonetti	
D507,281 S	7/2005	Komatsu et al.	

(Continued)

Related U.S. Application Data

(62) Division of application No. 29/369,037, filed on Sep. 1, 2010.

Foreign Application Priority Data

Mar. 2, 2010	(JP)	D2010-004889
Mar. 2, 2010	(JP)	D2010-004891

(51) **LOC (9) Cl.** **15-03**

(52) **U.S. Cl.** **D15/30**

(58) **Field of Classification Search** D15/10,
D15/22-26, 28, 30, 31; 180/89.11, 89.12,
180/89.13, 89.19, 900; 296/190.01, 190.08,
296/210, 190, 202

See application file for complete search history.

References Cited

U.S. PATENT DOCUMENTS

D230,297 S	2/1974	Purcell et al.	
3,933,371 A	1/1976	Graham	
D267,648 S	1/1983	Baconet et al.	
D275,199 S	8/1984	Schmidt et al.	
D312,827 S	12/1990	Boddin et al.	
D317,011 S	5/1991	Boddin et al.	
D323,659 S	2/1992	Jacobsson	
5,096,253 A *	3/1992	Jo et al. 296/190.1

FOREIGN PATENT DOCUMENTS

JP 1103215 3/2001

(Continued)

Primary Examiner — Mark Goodwin

(74) *Attorney, Agent, or Firm* — Birch, Stewart, Kolasch & Birch, LLP

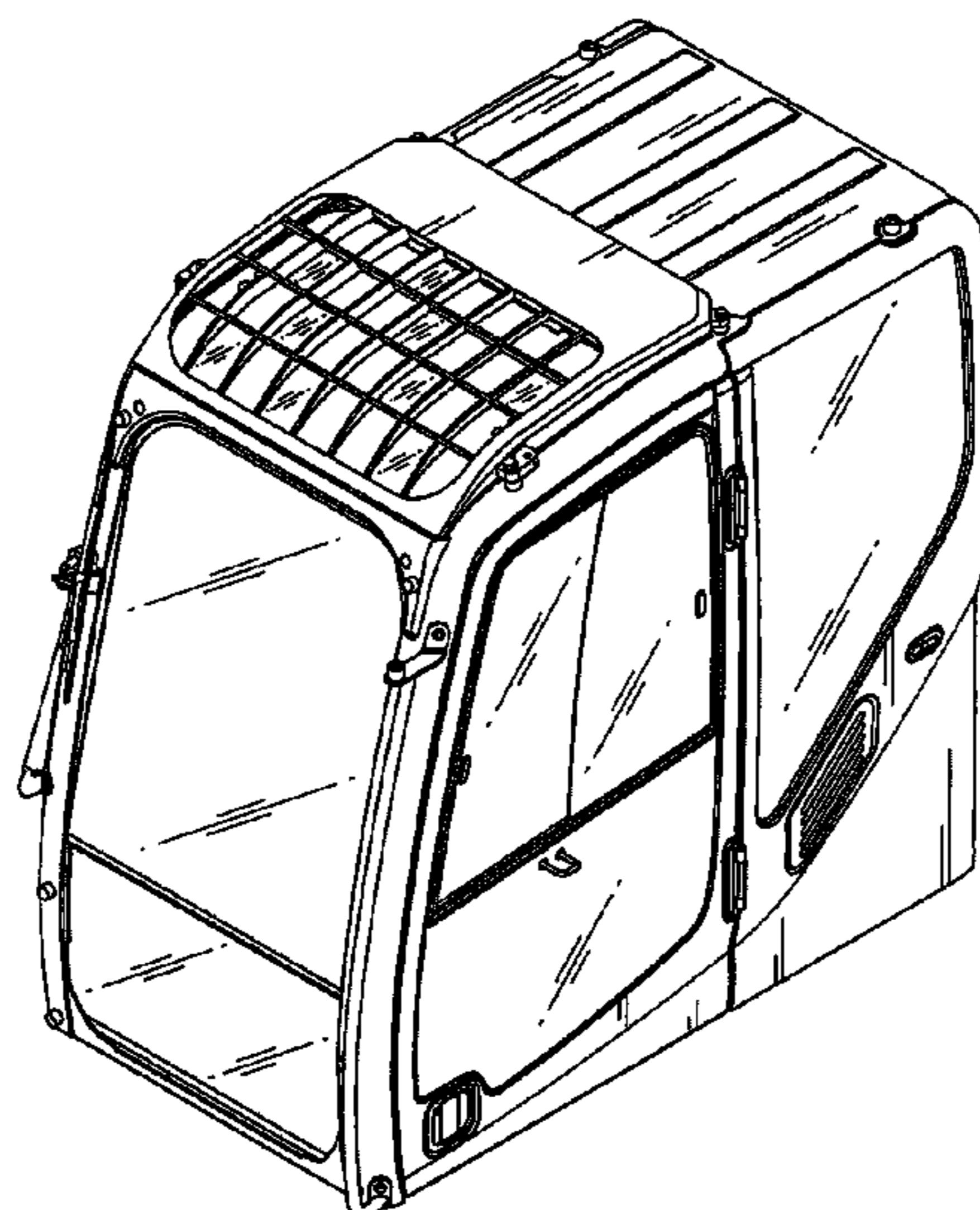
(57) **CLAIM**

The ornamental design for a cab for construction machine, as shown and described.

DESCRIPTION

FIG. 1 is a first perspective view of a cab for construction machine showing our new design;
FIG. 2 is a second perspective view thereof;
FIG. 3 is a front view thereof;
FIG. 4 is a rear view thereof;
FIG. 5 is a left side view thereof;
FIG. 6 is a right side view thereof;
FIG. 7 is a top view thereof; and,
FIG. 8 is a bottom view thereof.

1 Claim, 8 Drawing Sheets



US D642,205 S

Page 2

U.S. PATENT DOCUMENTS

D507,800 S 7/2005 Kuwae et al.
D523,029 S 6/2006 Crawford et al.
D523,874 S 6/2006 Hagele
D528,134 S 9/2006 Vandendriessche et al.
D531,646 S 11/2006 McCarren et al.
D531,647 S 11/2006 Stender et al.
D541,825 S 5/2007 Petterson
D541,826 S 5/2007 Brush et al.
D548,753 S 8/2007 Kim
D549,245 S 8/2007 Antonetti
D549,742 S 8/2007 Koss
D555,677 S 11/2007 Kuwae et al.
D561,205 S 2/2008 Pettersson
D577,040 S 9/2008 Kim
D579,028 S 10/2008 VanDeVeer et al.

D594,036 S * 6/2009 Iwakata et al. D15/30
D594,037 S 6/2009 Uemura
D594,480 S * 6/2009 Gicquel et al. D15/30
D595,745 S 7/2009 Jorgensen et al.
D603,881 S 11/2009 Tamplain et al.
D605,207 S 12/2009 Menges et al.
D607,905 S 1/2010 Reisenauer et al.
D614,674 S 4/2010 Hobenshield et al.

FOREIGN PATENT DOCUMENTS

JP 1128903 12/2001
JP 1240324 5/2005
JP 1225024 11/2005
JP 1278755 8/2006
JP 1296866 3/2007

* cited by examiner

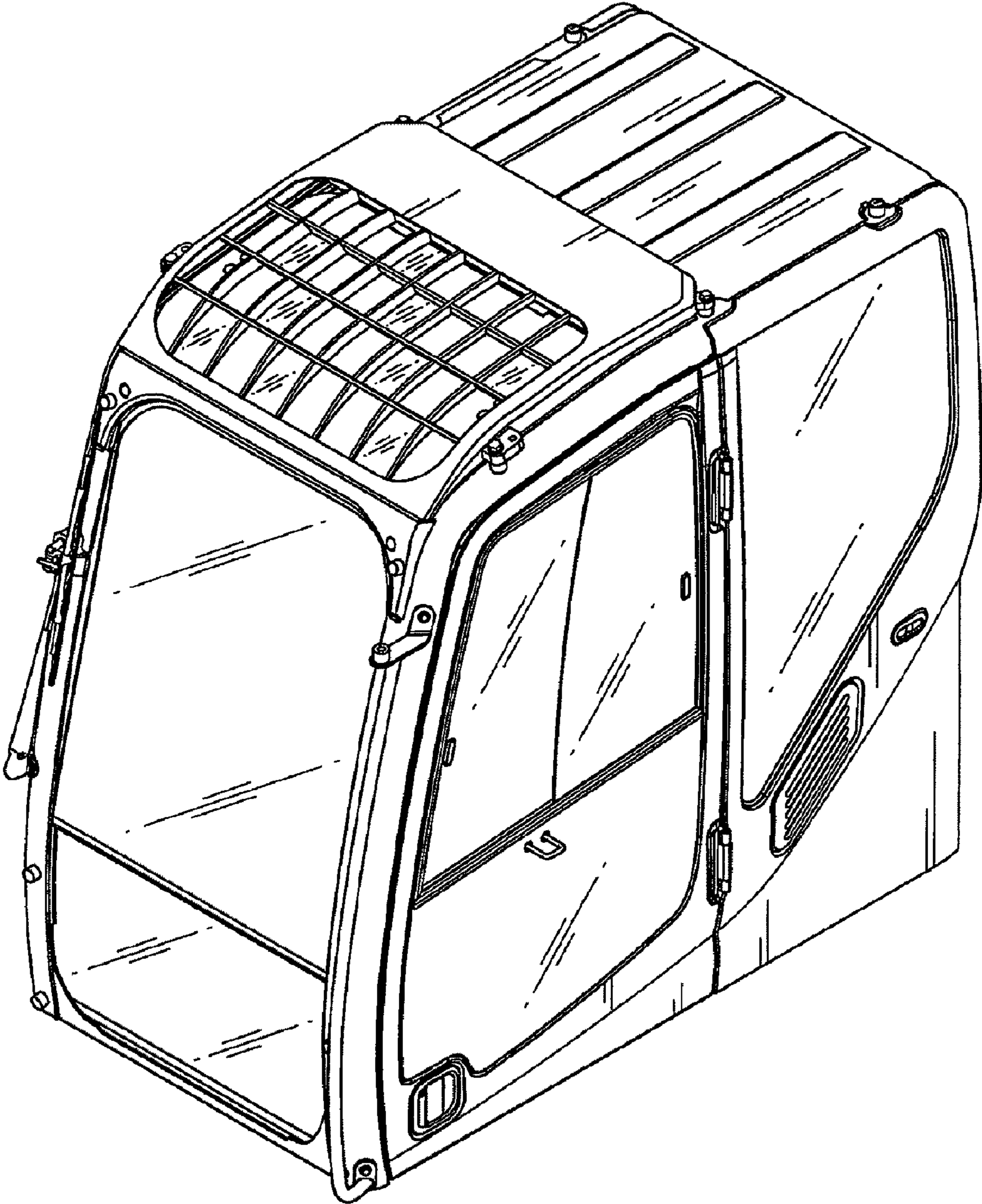


FIG. 1

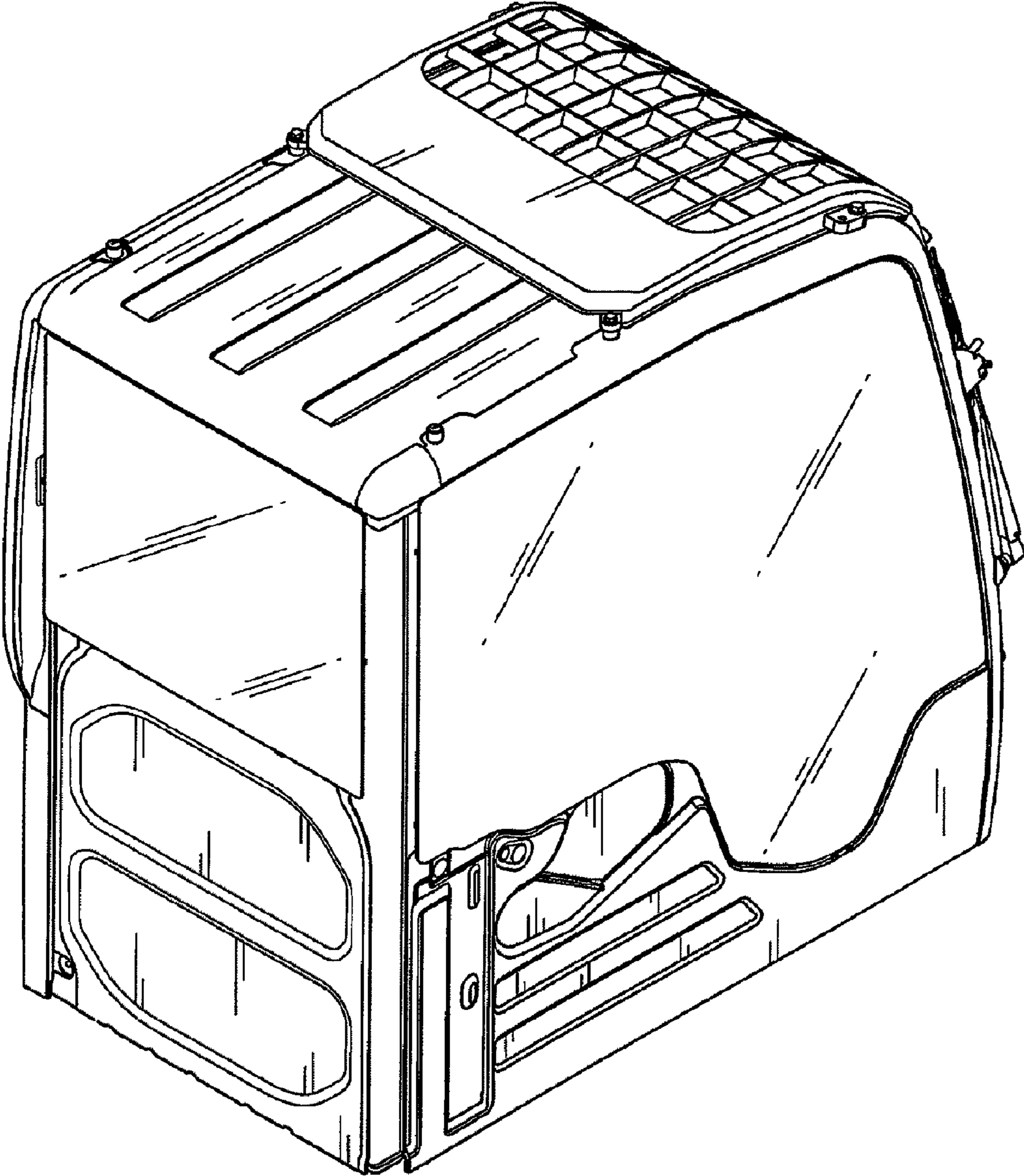


FIG. 2

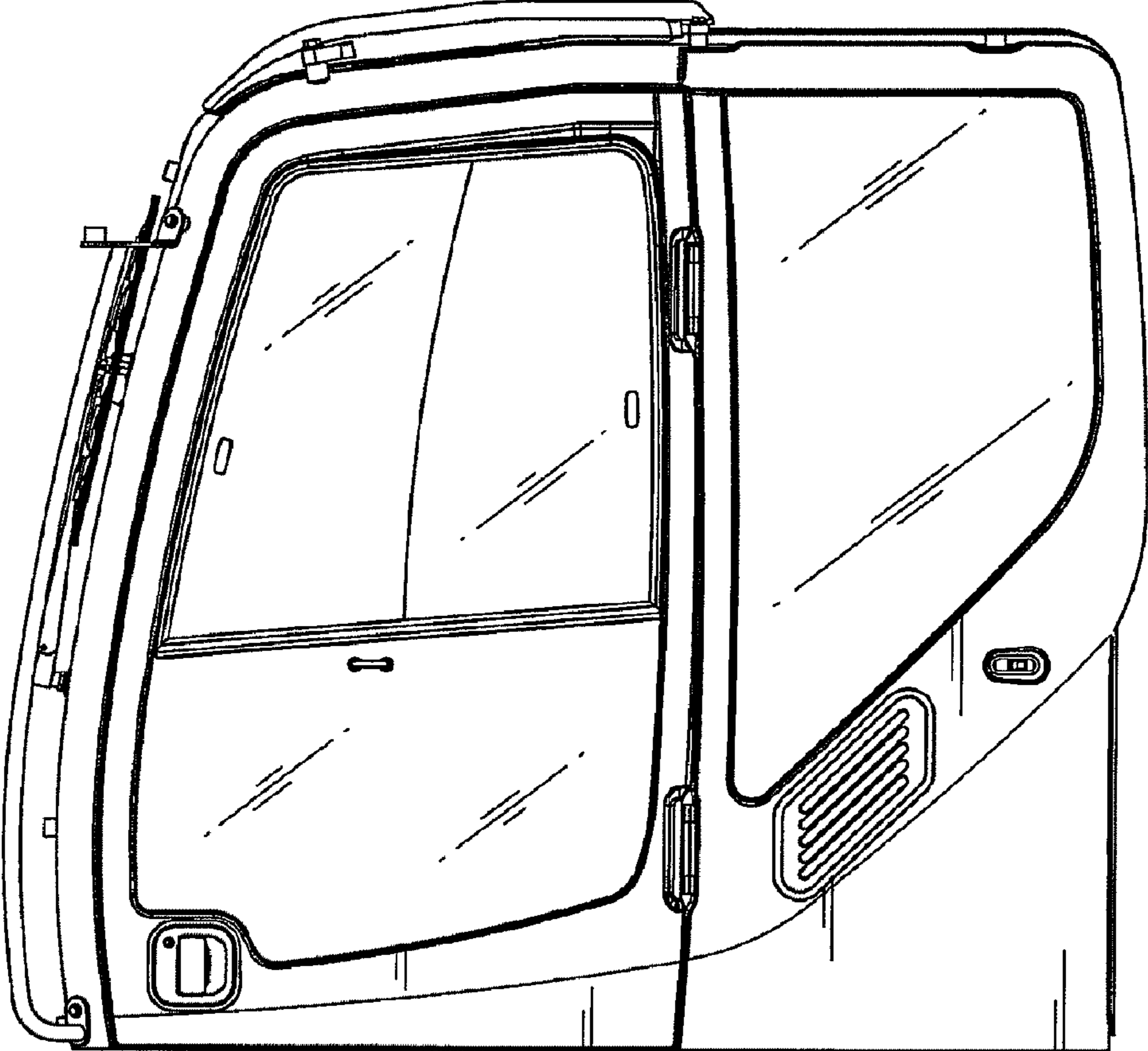


FIG. 3

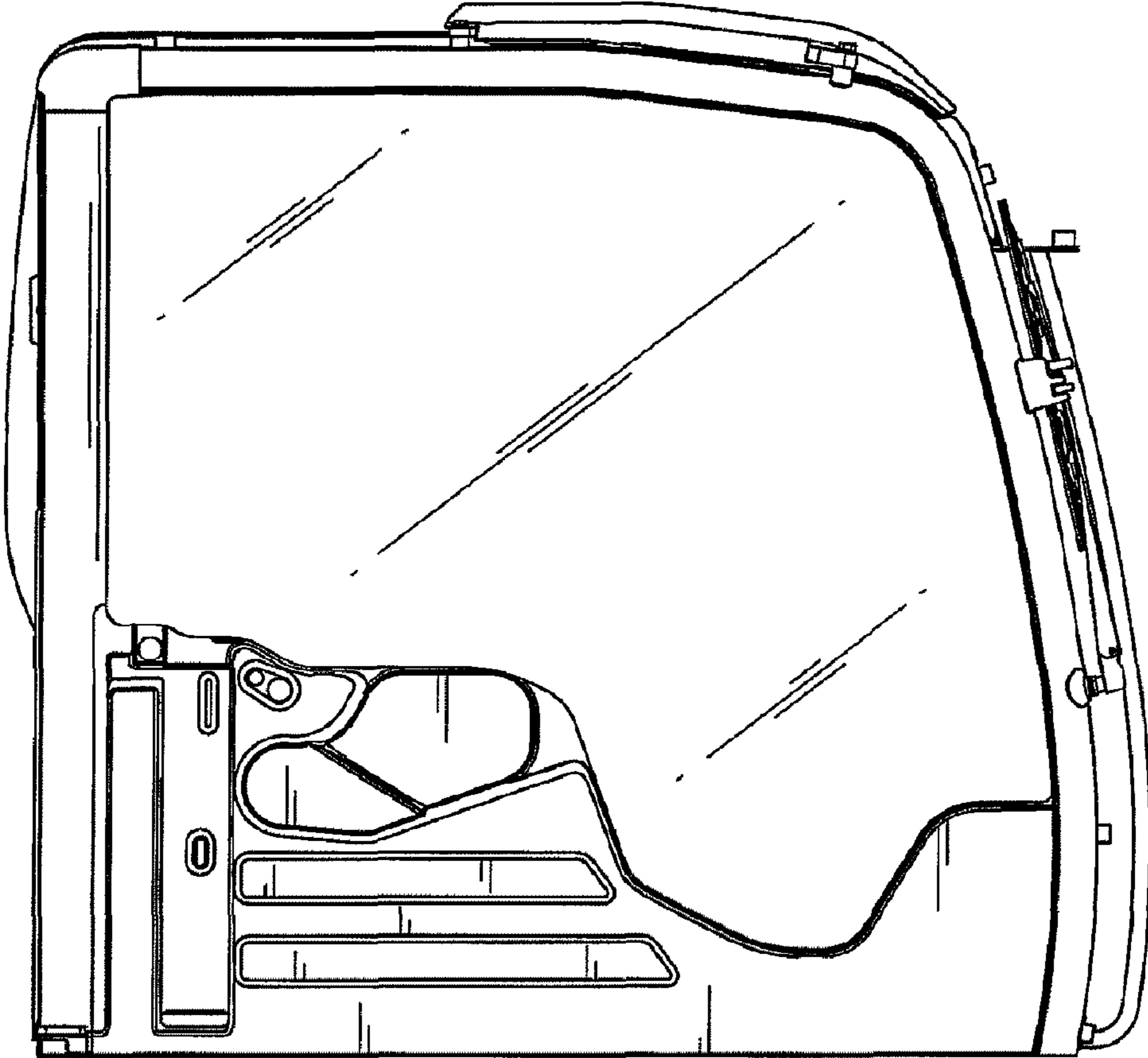


FIG. 4

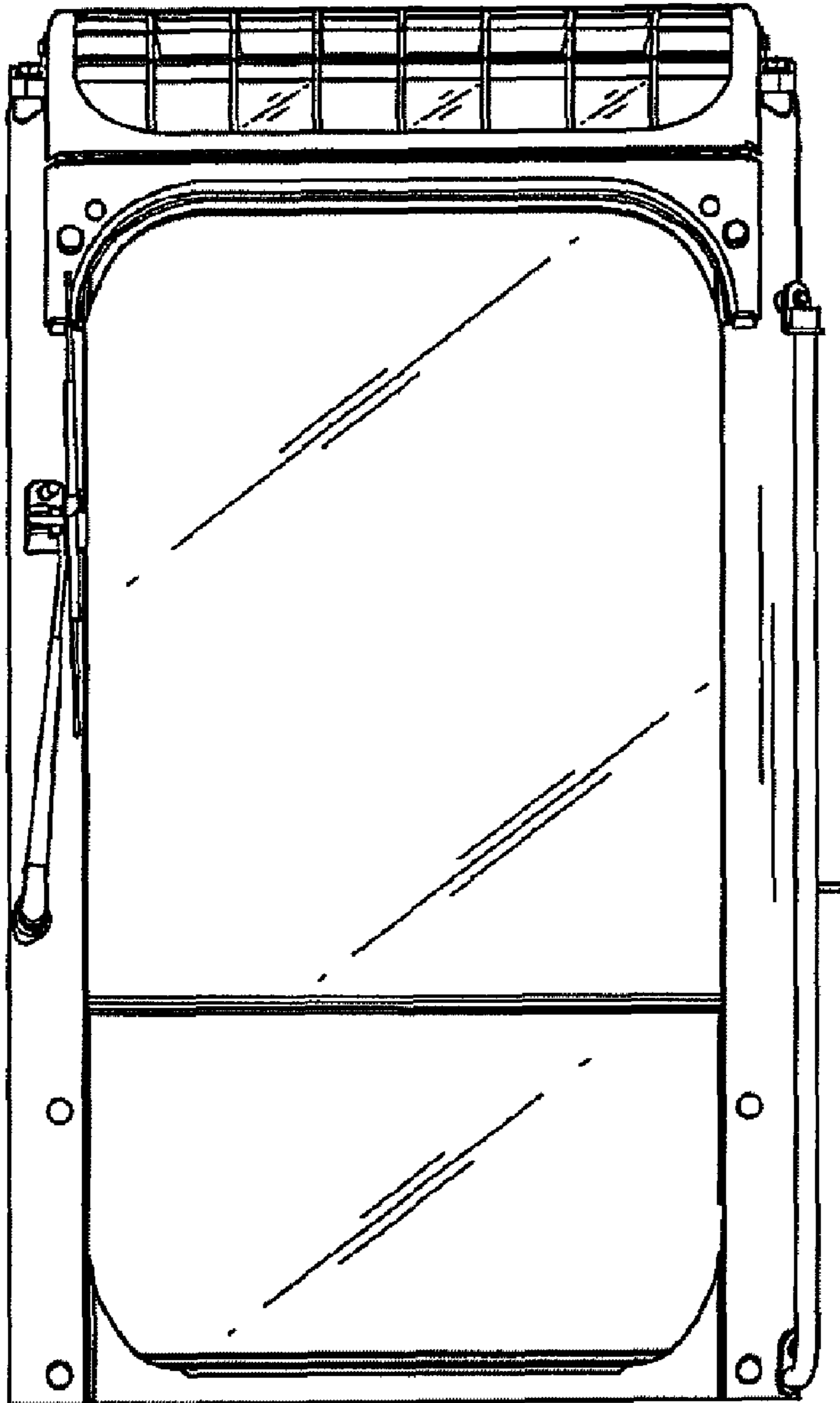


FIG. 5

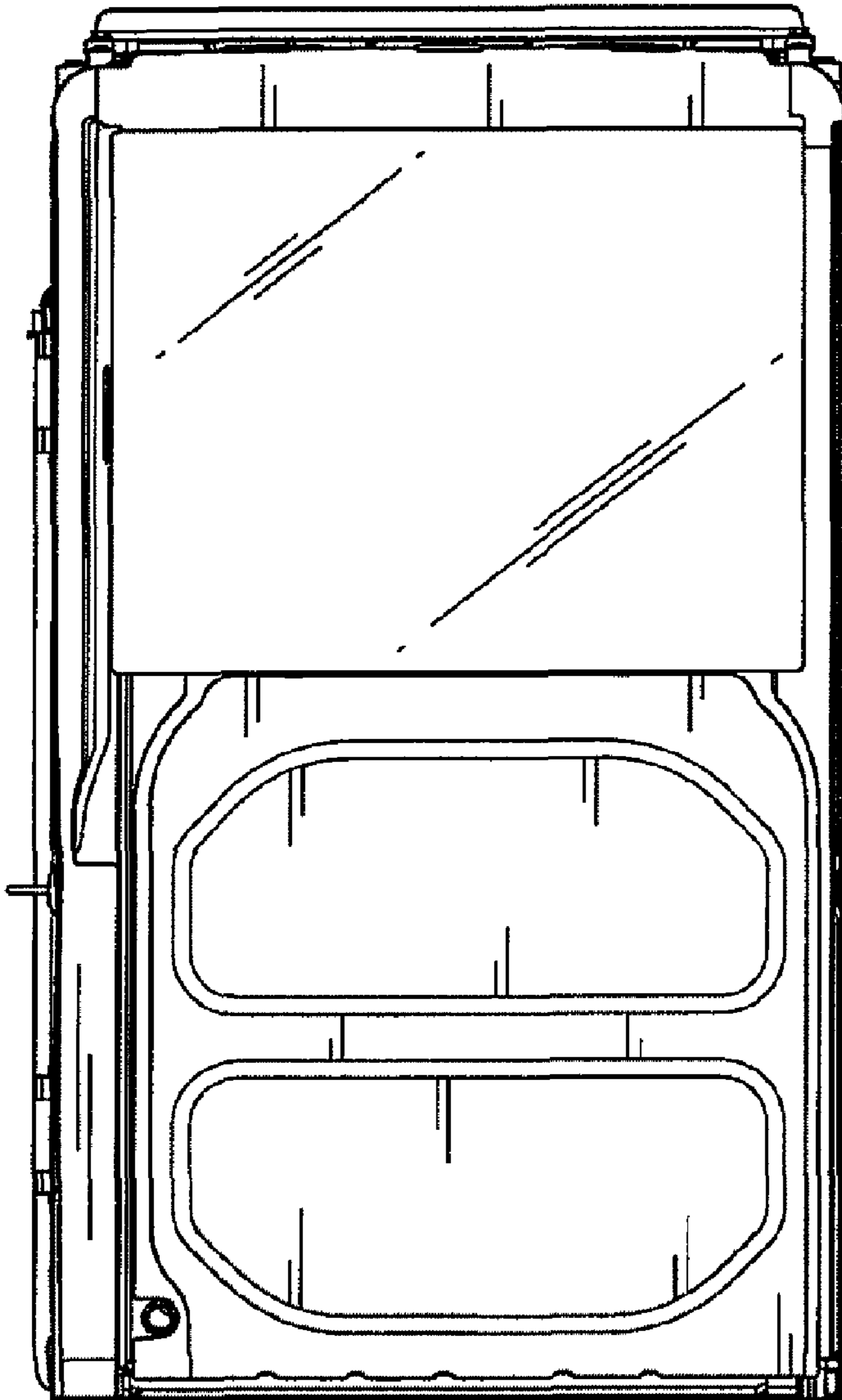


FIG. 6

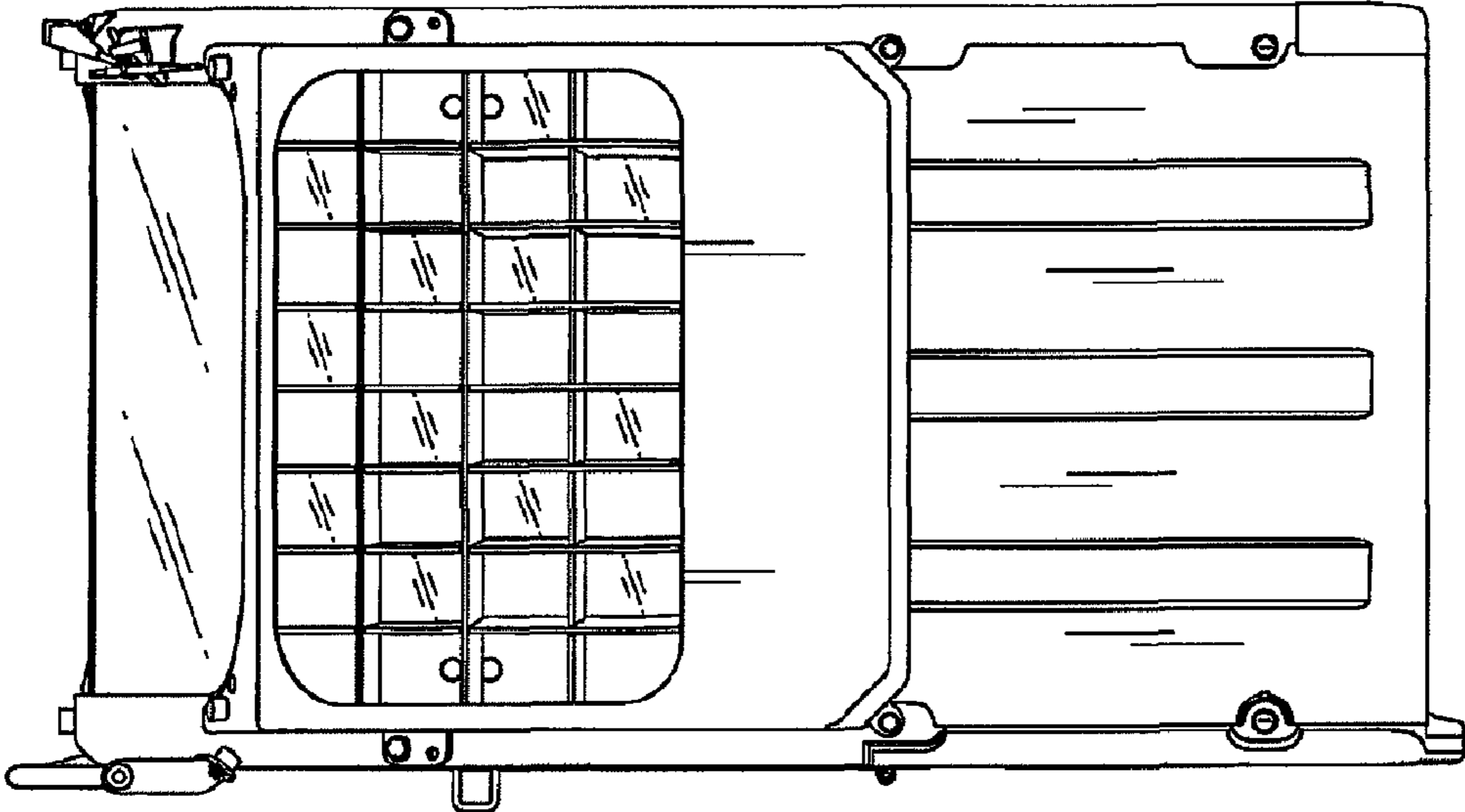


FIG. 7

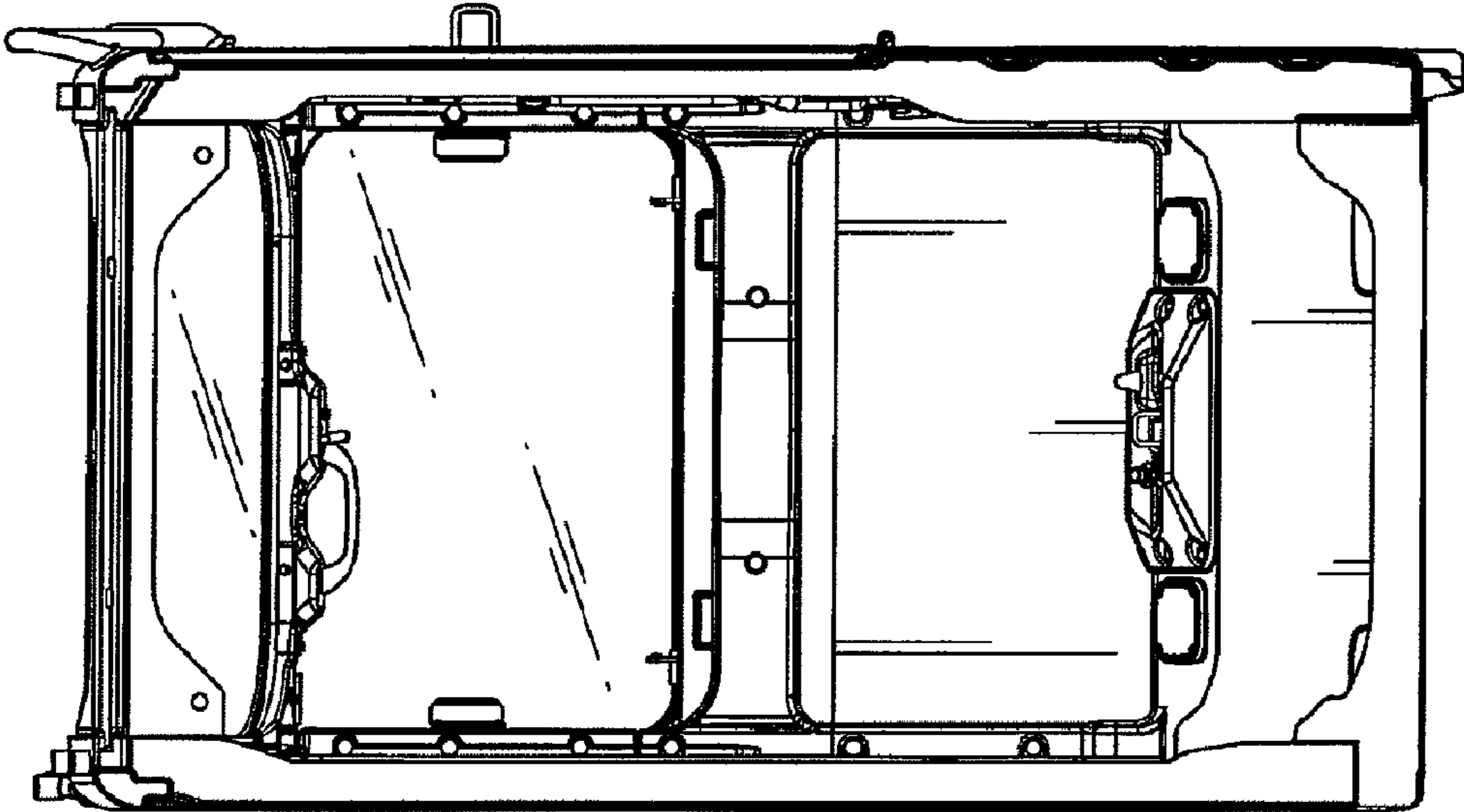


FIG. 8