



US00D642203S

(12) **United States Design Patent**  
**Yoshimura et al.**

(10) **Patent No.:** **US D642,203 S**  
(45) **Date of Patent:** **\*\* Jul. 26, 2011**

(54) **AIR CYLINDER**

(75) Inventors: **Shinichi Yoshimura**, Tsukubamirai (JP);  
**Junji Itabashi**, Tsukubamirai (JP)

(73) Assignee: **SMC Corporation**, Chiyoda-ku, Tokyo  
(JP)

(\*\*) Term: **14 Years**

(21) Appl. No.: **29/354,517**

(22) Filed: **Jan. 25, 2010**

(30) **Foreign Application Priority Data**

Oct. 16, 2009 (JP) ..... 2009-024341

(51) **LOC (9) Cl.** ..... **15-02**

(52) **U.S. Cl.** ..... **D15/9**

(58) **Field of Classification Search** ..... D15/7-9;  
D23/231, 232, 225; 417/60, 235, 265, 321,  
417/355, 358, 363, 359, 410.1, 415-416,  
417/405, 900; 60/408, 412; 184/26-37;  
415/140-147; 123/495, 509

See application file for complete search history.

(56) **References Cited**

**U.S. PATENT DOCUMENTS**

D378,214 S \* 2/1997 Ikumi ..... D15/7  
D380,217 S \* 6/1997 Jermeay et al. .... D15/5

D428,617 S \* 7/2000 Hariwara ..... D15/7  
D436,601 S \* 1/2001 Kaneko ..... D15/7  
D438,215 S \* 2/2001 Kaneko ..... D15/7  
D512,442 S \* 12/2005 Moser, III ..... D15/9  
D583,390 S \* 12/2008 Yajima ..... D15/7

\* cited by examiner

*Primary Examiner* — Ralf Seifert

(74) *Attorney, Agent, or Firm* — Yokoi & Co., U.S.A., Inc.;  
Toshiyuki Yokoi

(57) **CLAIM**

The ornamental design for an air cylinder, as shown and described.

**DESCRIPTION**

FIG. 1 shows a front view of an air cylinder showing my new design;  
FIG. 2 shows a rear view thereof;  
FIG. 3 shows a right side view thereof;  
FIG. 4 shows a left side view thereof;  
FIG. 5 shows a top view thereof;  
FIG. 6 shows a bottom view thereof;  
FIG. 7 shows a top, front and left side perspective view thereof; and,  
FIG. 8 shows a bottom, rear and right side perspective view thereof.

**1 Claim, 4 Drawing Sheets**

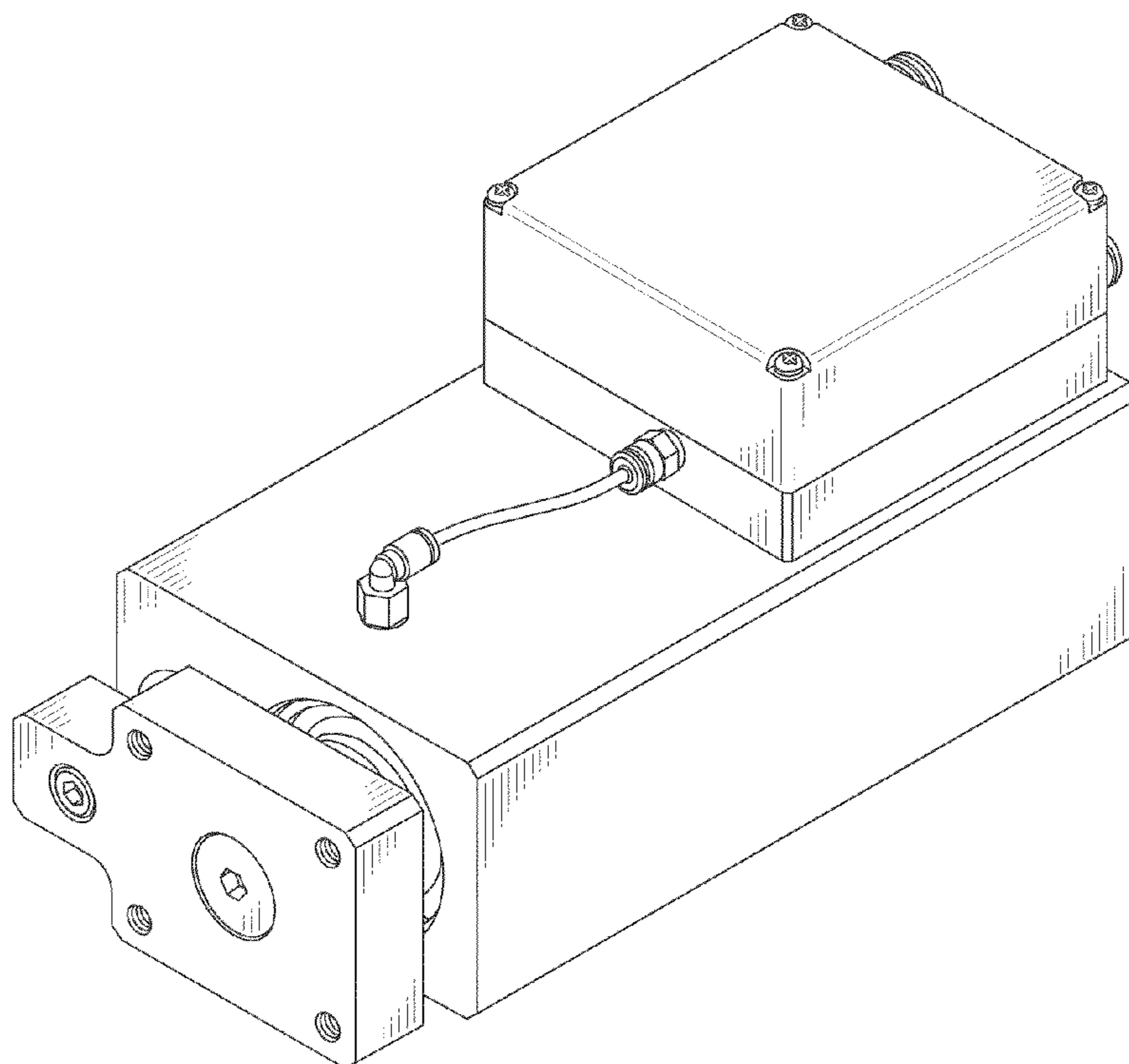


FIG. 1

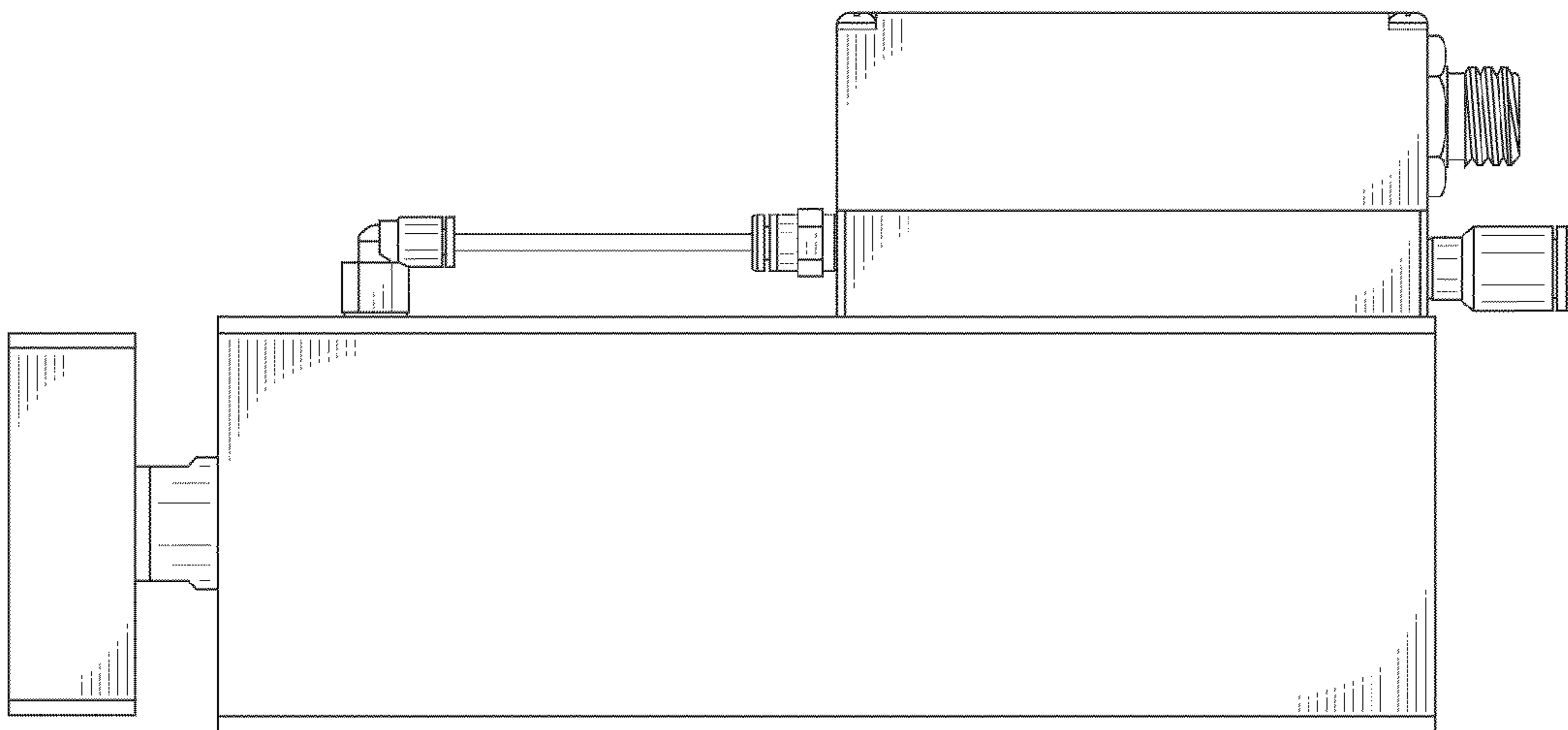


FIG. 2

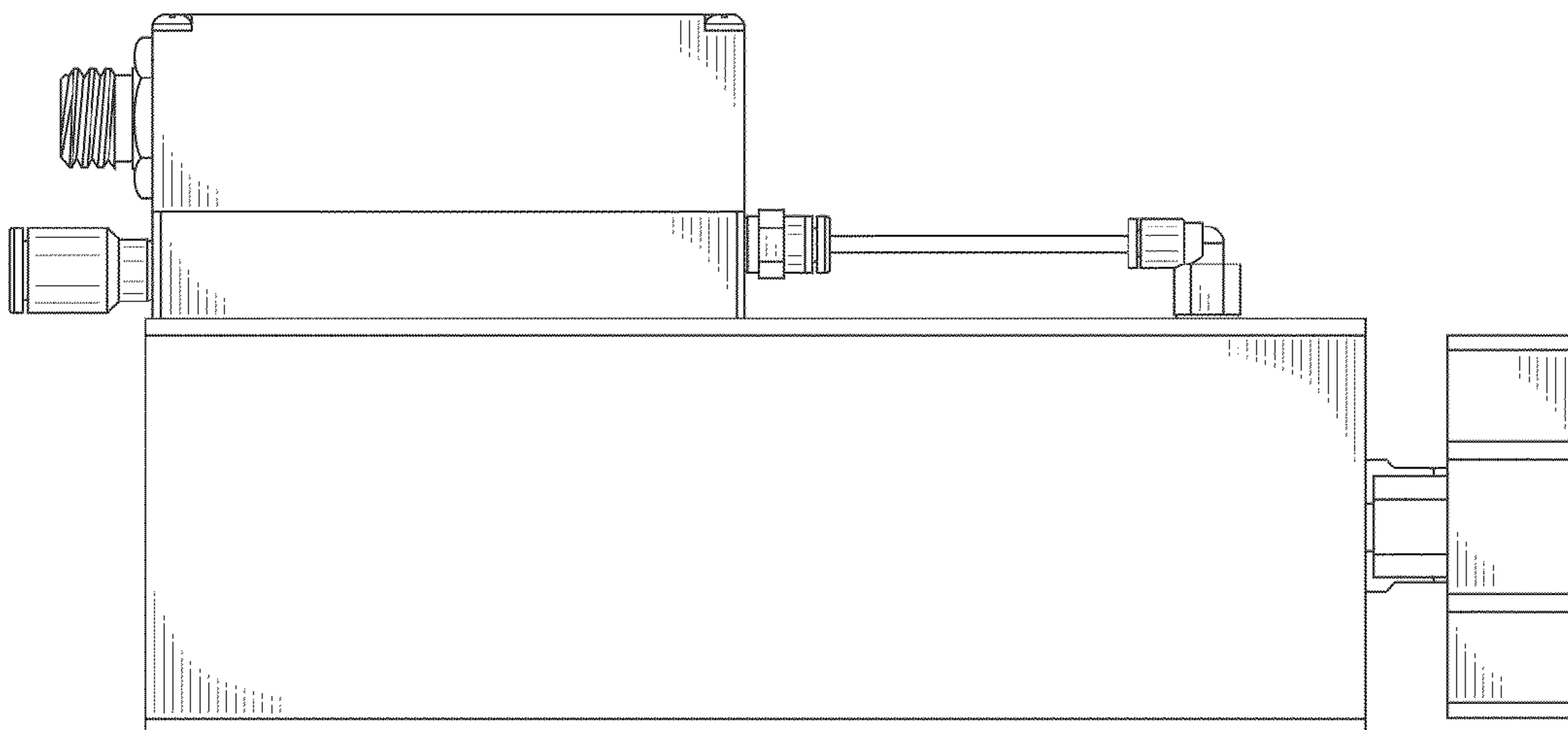


FIG. 3

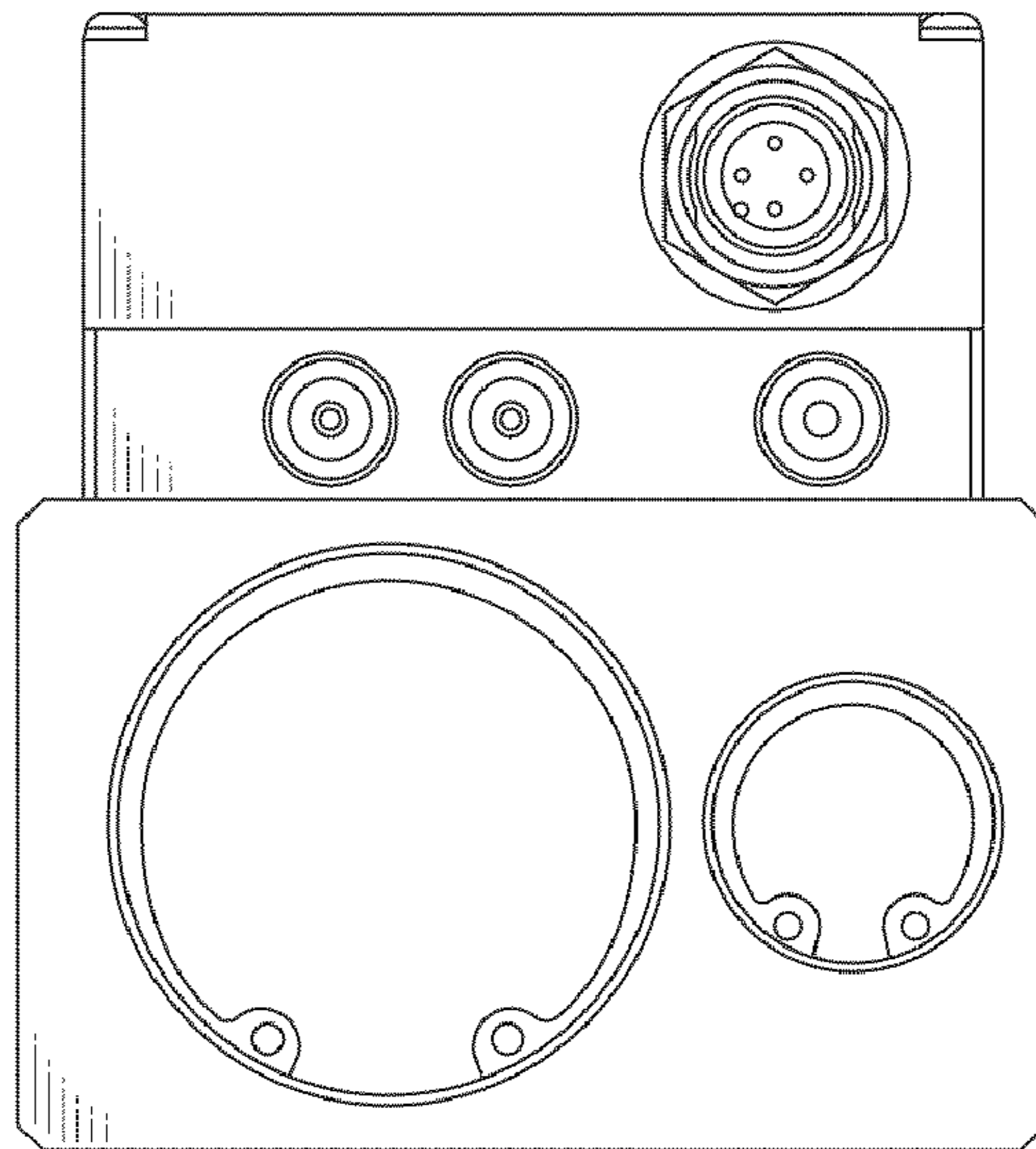


FIG. 4

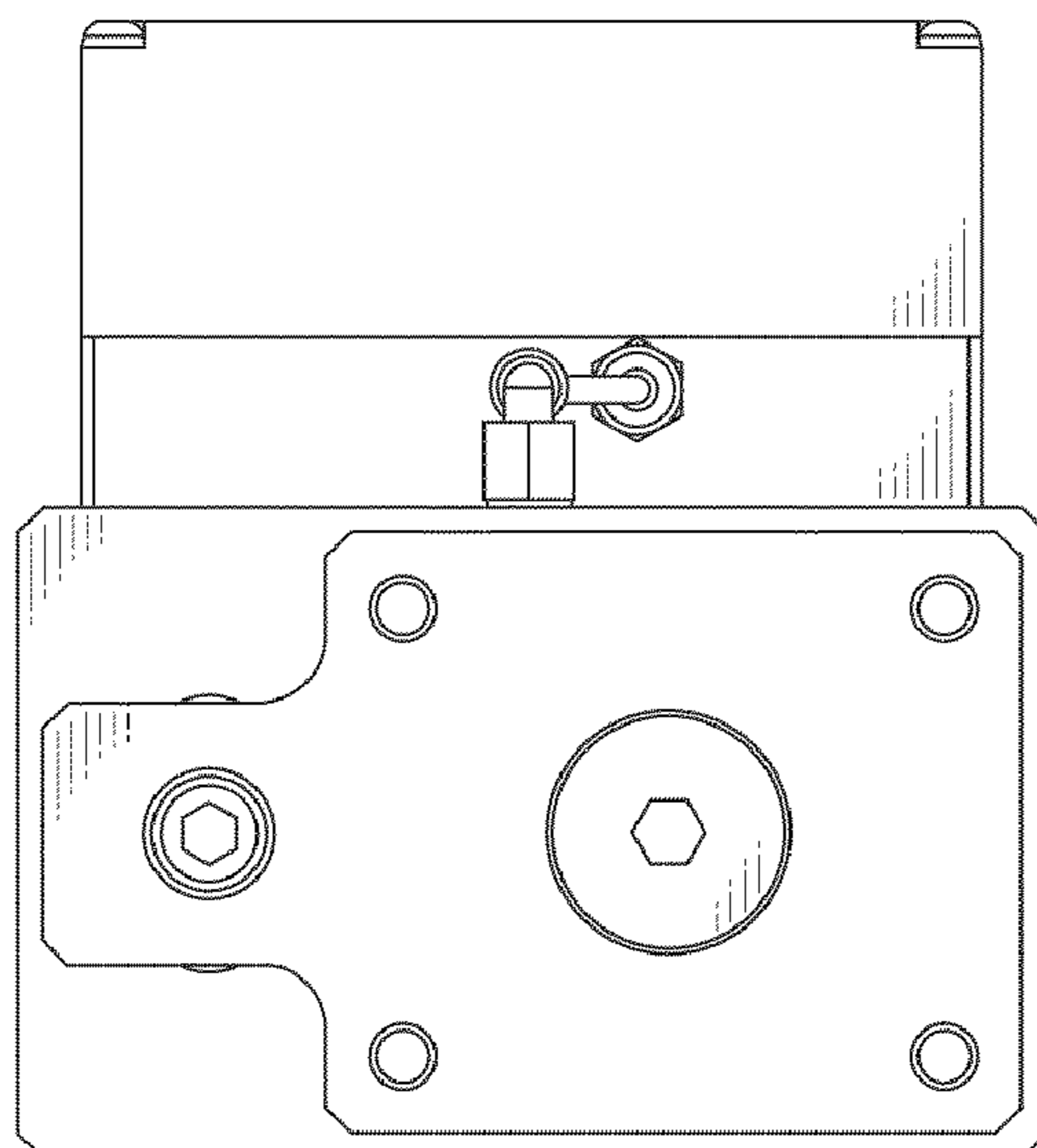


FIG. 5

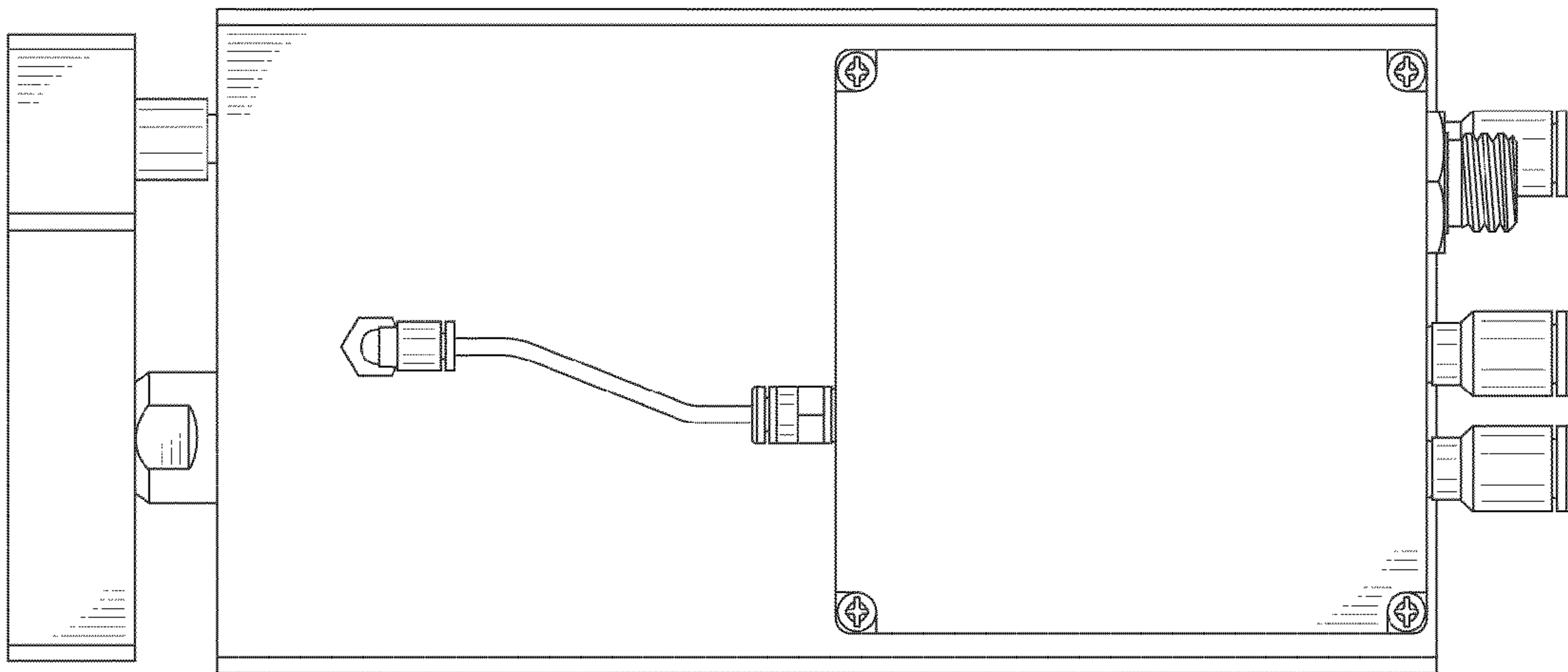


FIG. 6

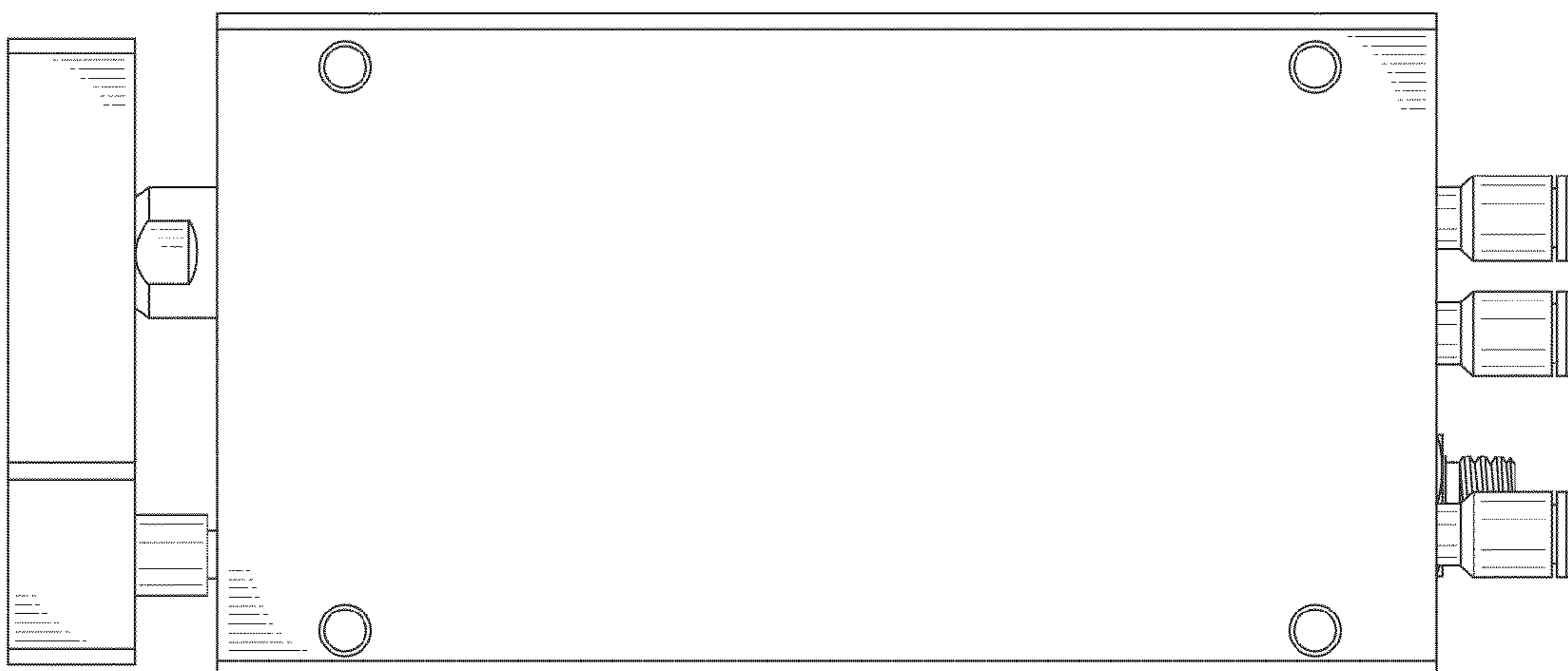


FIG. 7

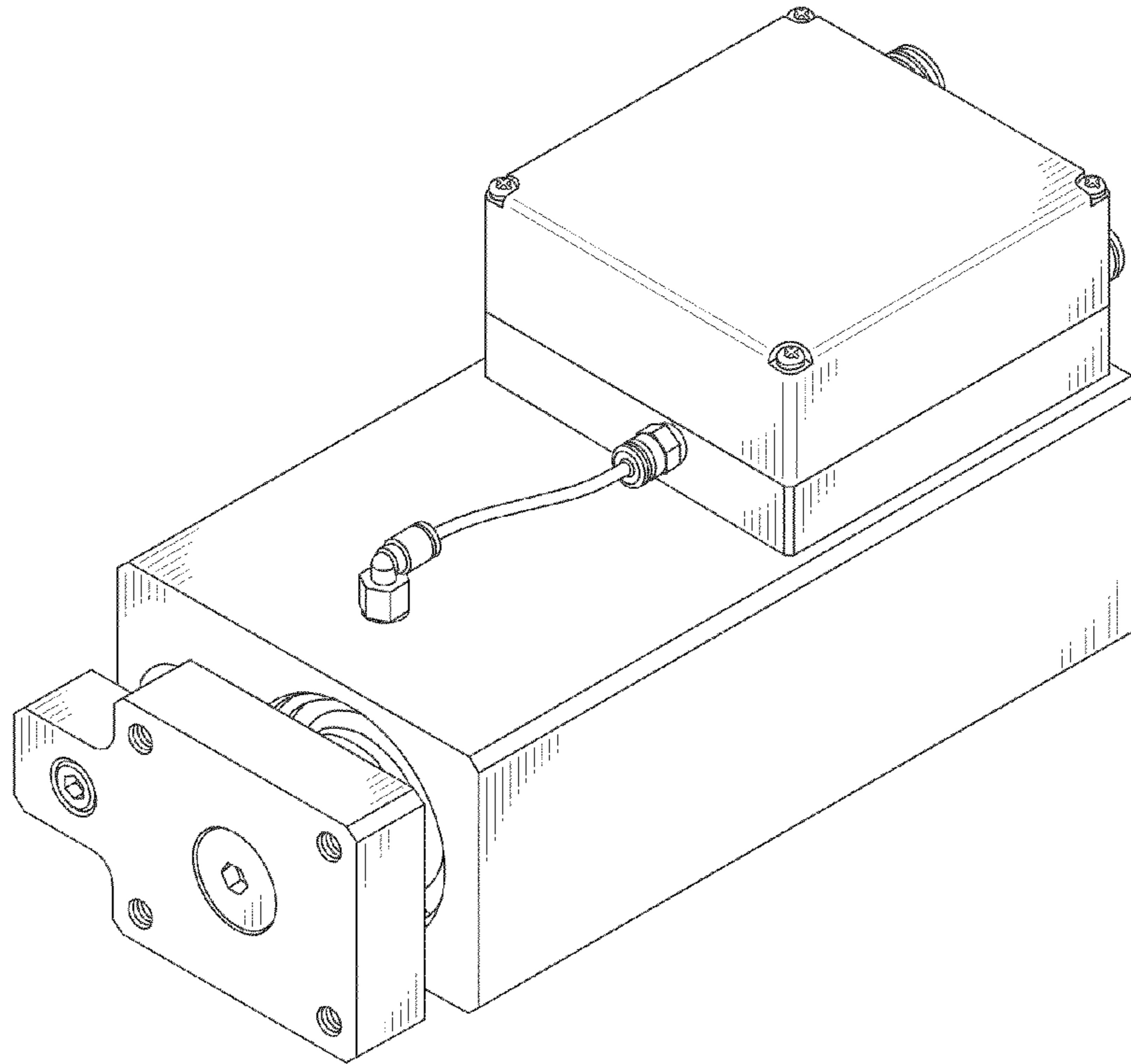


FIG. 8

