



US00D642202S

(12) **United States Design Patent**
Ozeki et al.

(10) **Patent No.:** **US D642,202 S**
(45) **Date of Patent:** **** Jul. 26, 2011**

(54) **PUMP FOR PROVIDING LUBRICANT TO A MACHINE**

(75) Inventors: **Noboru Ozeki**, Tokyo (JP); **Keizo Saito**, Tokyo (JP); **Yoshiro Yamakawa**, Tokyo (JP); **Kei Suzuki**, Tokyo (JP)

(73) Assignee: **Lube Corporation**, Tokyo (JP)

(**) Term: **14 Years**

(21) Appl. No.: **29/347,881**

(22) Filed: **Jul. 8, 2010**

(30) **Foreign Application Priority Data**

Jun. 4, 2010 (JP) 2010-013788

(51) **LOC (9) Cl.** **15-01**

(52) **U.S. Cl.** **D15/7**

(58) **Field of Classification Search** D15/7-9;
D23/231, 232, 225; 417/60, 235, 265, 321,
417/355, 358, 363, 359, 410.1, 415-416,
417/405, 900; 60/408, 412; 184/26-37;
415/140-147; 123/495, 509

See application file for complete search history.

(56) **References Cited**

U.S. PATENT DOCUMENTS

D565,600 S *	4/2008	Tazioli	D15/7
D625,740 S *	10/2010	Varini	D15/7
D629,423 S *	12/2010	Varini	D15/7
D633,925 S *	3/2011	Sadachika	D15/7
D635,588 S *	4/2011	Sprules	D15/7
D637,209 S *	5/2011	Wessol	D15/7

* cited by examiner

Primary Examiner — Brian N Vinson

(74) *Attorney, Agent, or Firm* — Manabu Kanesaka

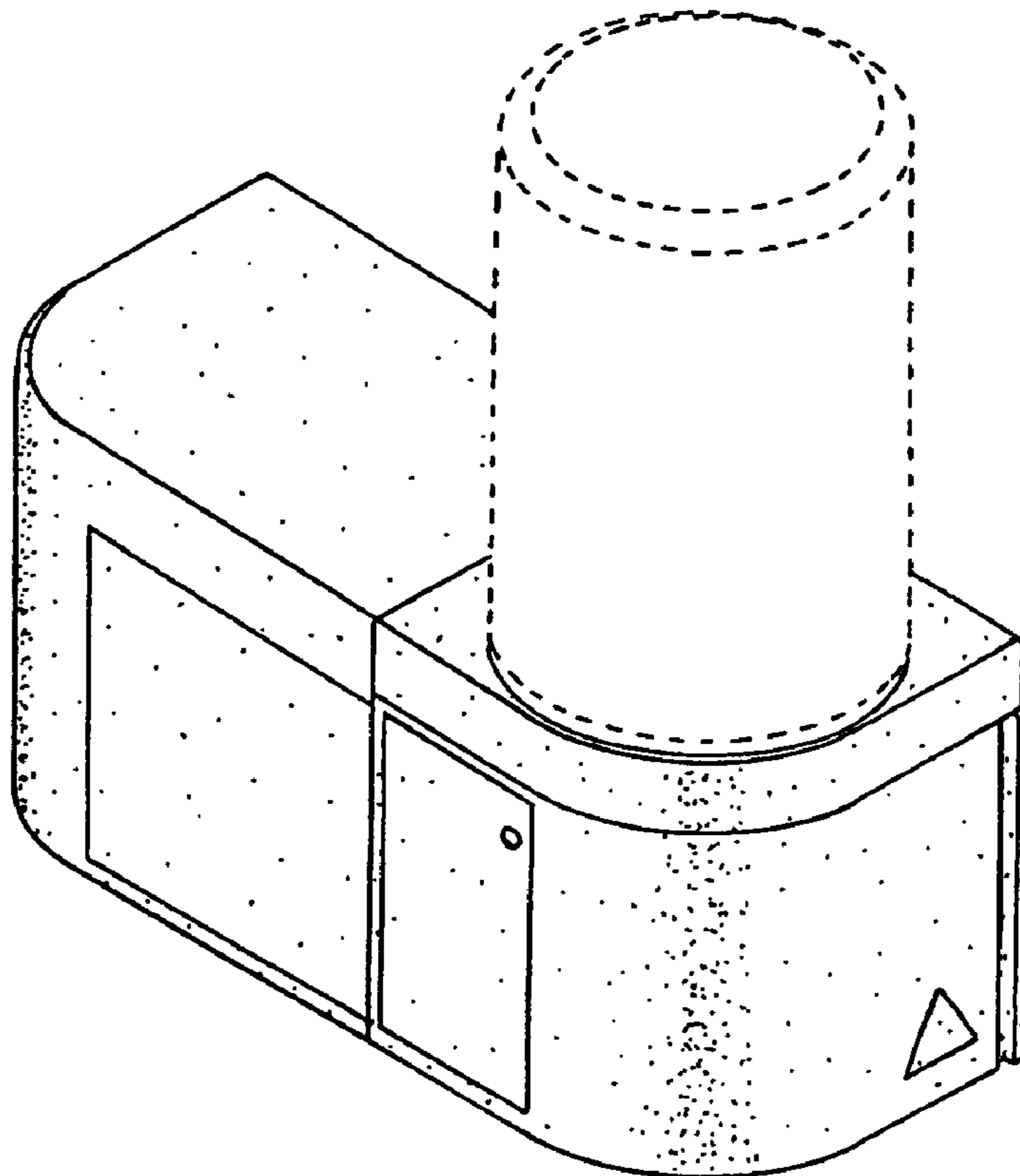
(57) **CLAIM**

The ornamental design for a pump for providing lubricant to a machine, as shown and described.

DESCRIPTION

FIG. 1 is a front view of a pump for providing lubricant to a machine showing our new design;
FIG. 2 is a rear view thereof;
FIG. 3 is a right side view thereof;
FIG. 4 is a left side view thereof;
FIG. 5 is a top view thereof;
FIG. 6 is a bottom view thereof; and,
FIG. 7 is a perspective view thereof.
The broken-line disclosure forms no part of the claimed design.

1 Claim, 7 Drawing Sheets



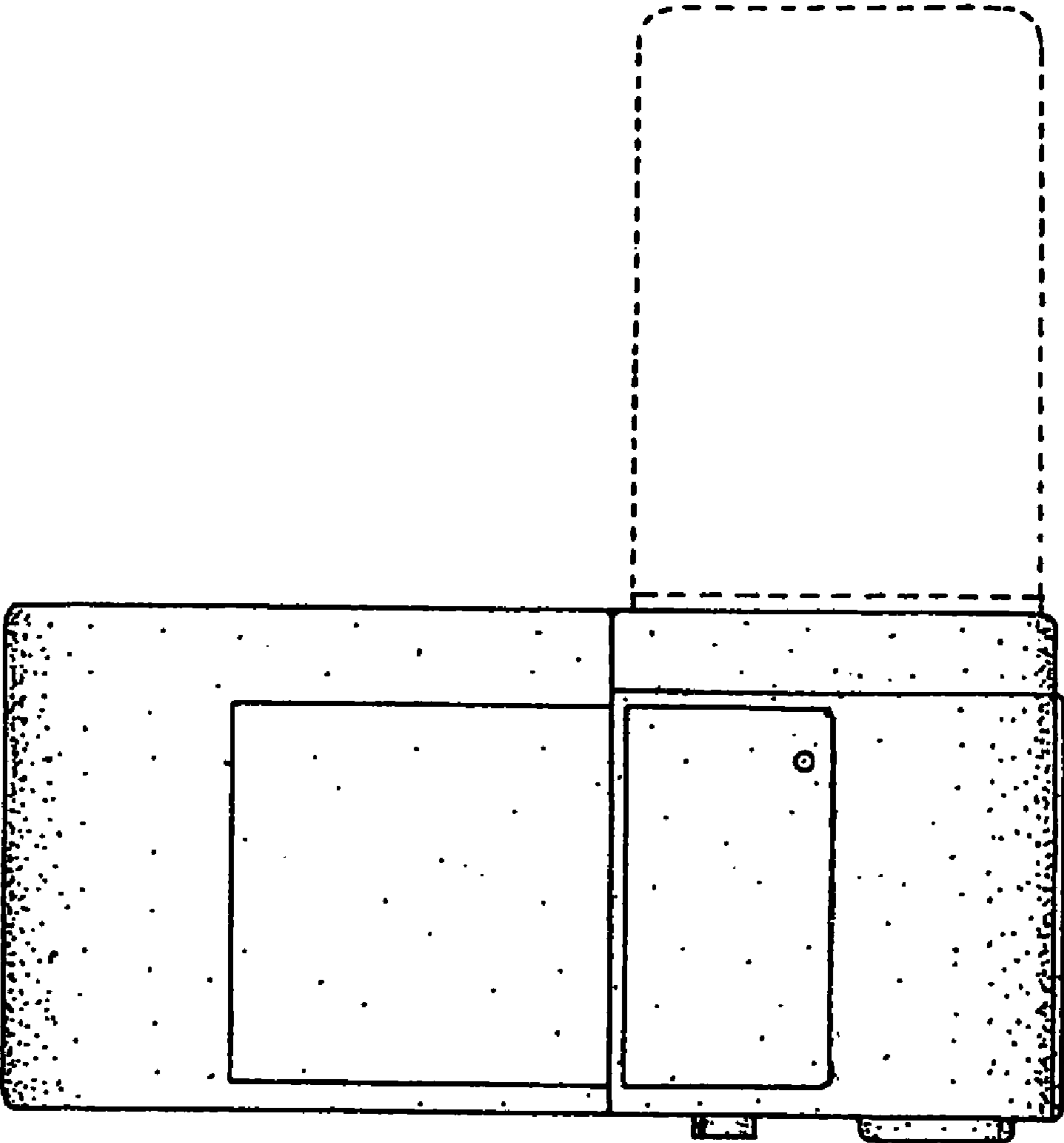


Fig. 1

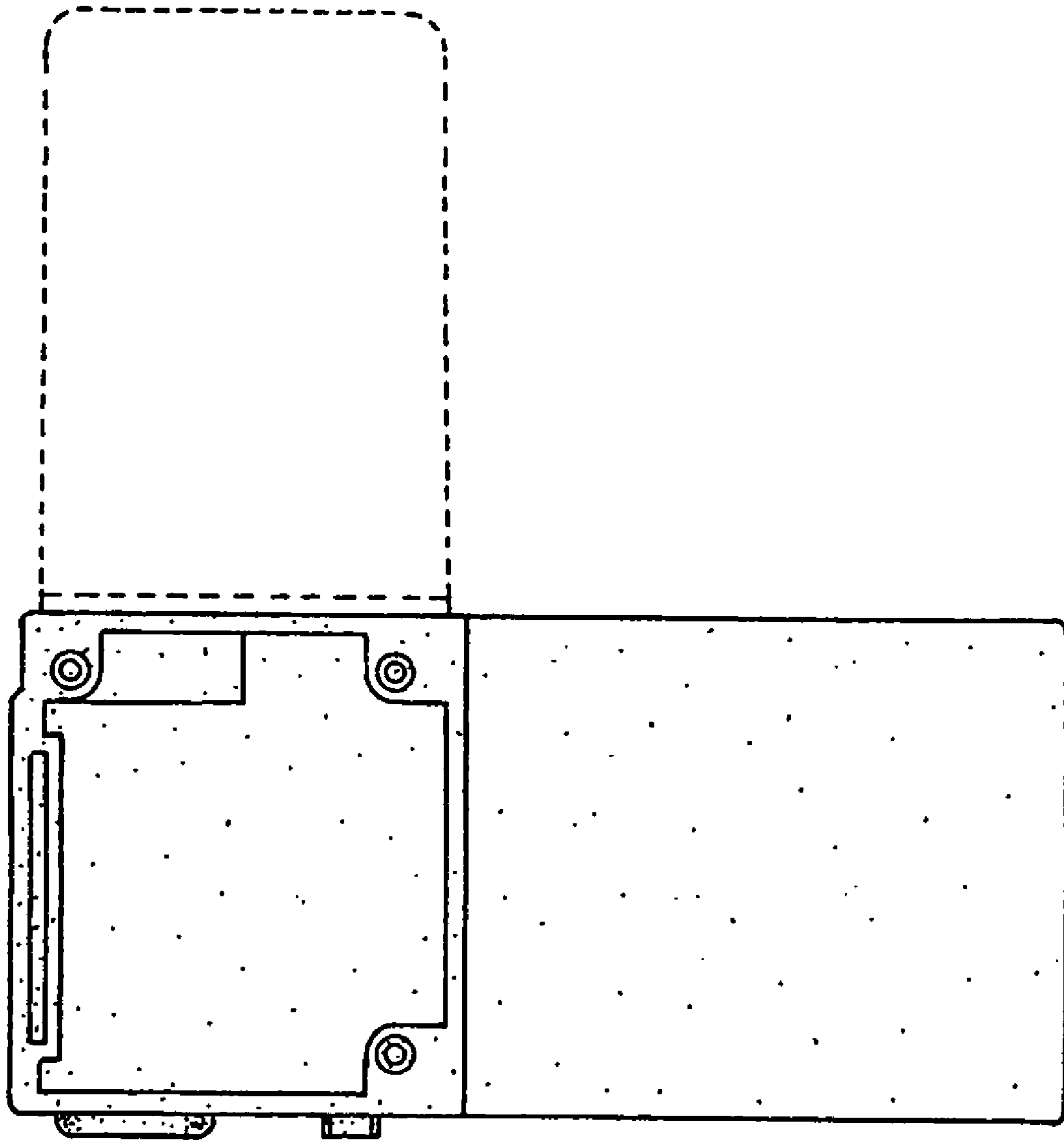


Fig. 2

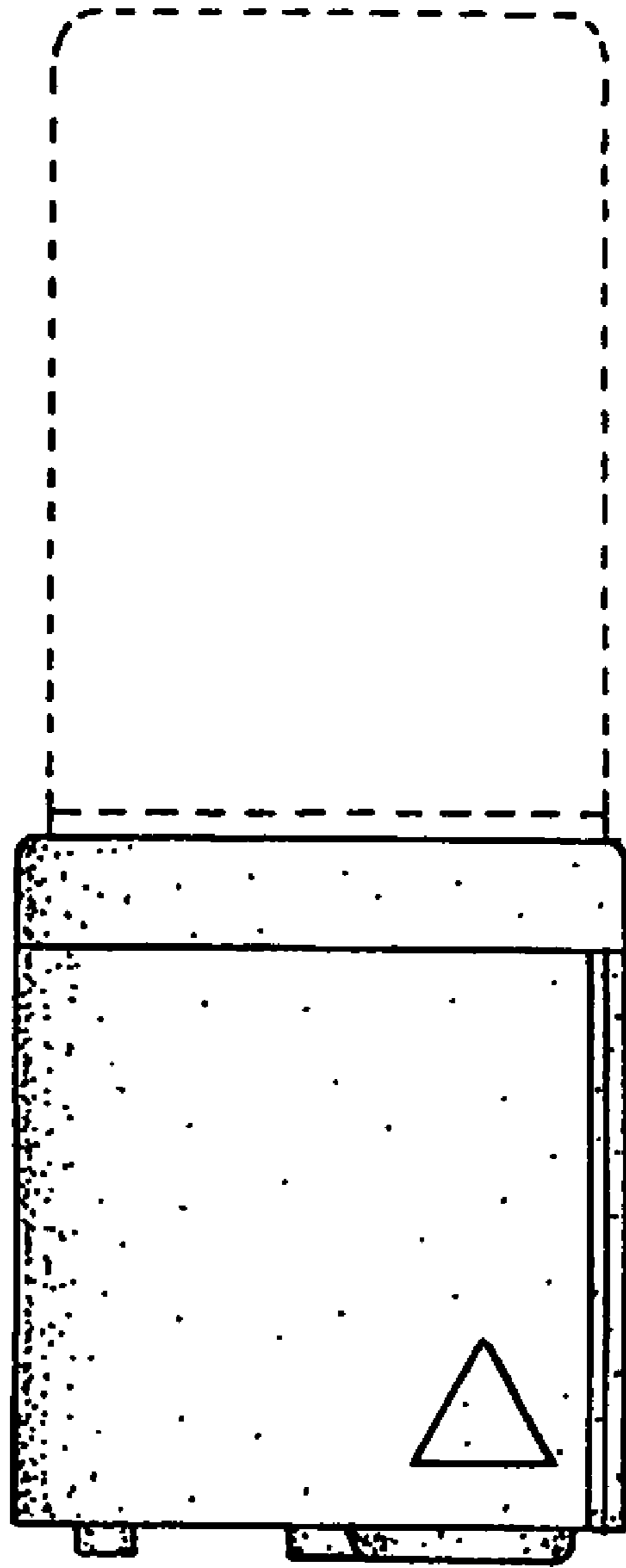


Fig. 3



Fig. 4

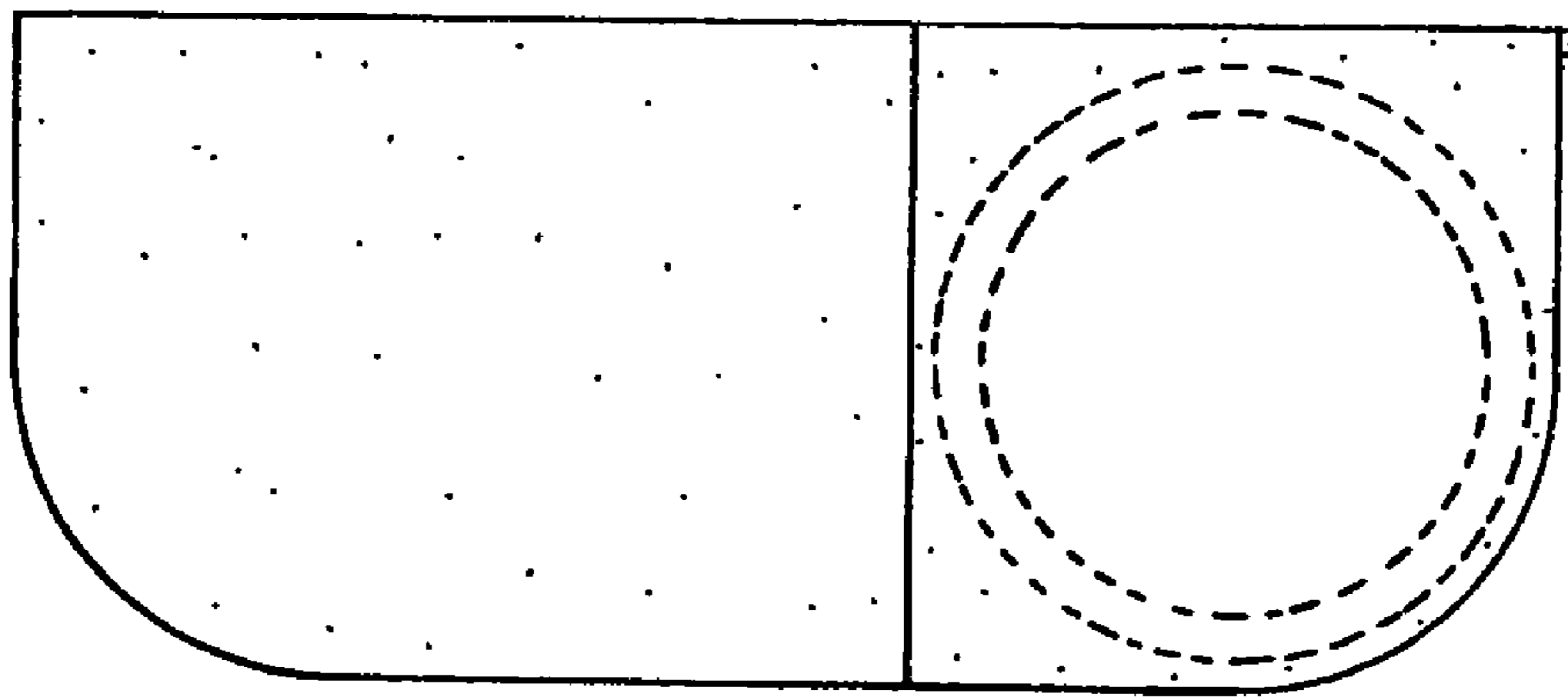


Fig. 5

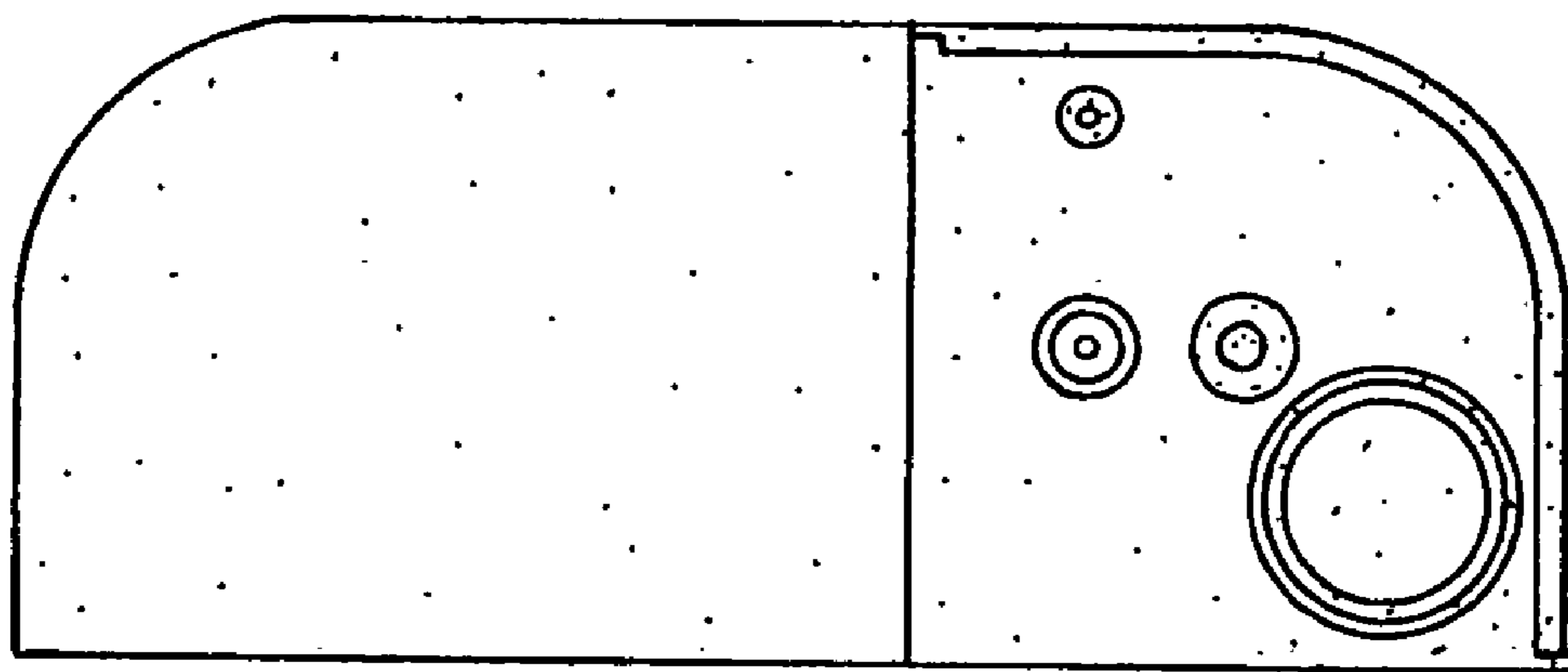


Fig. 6

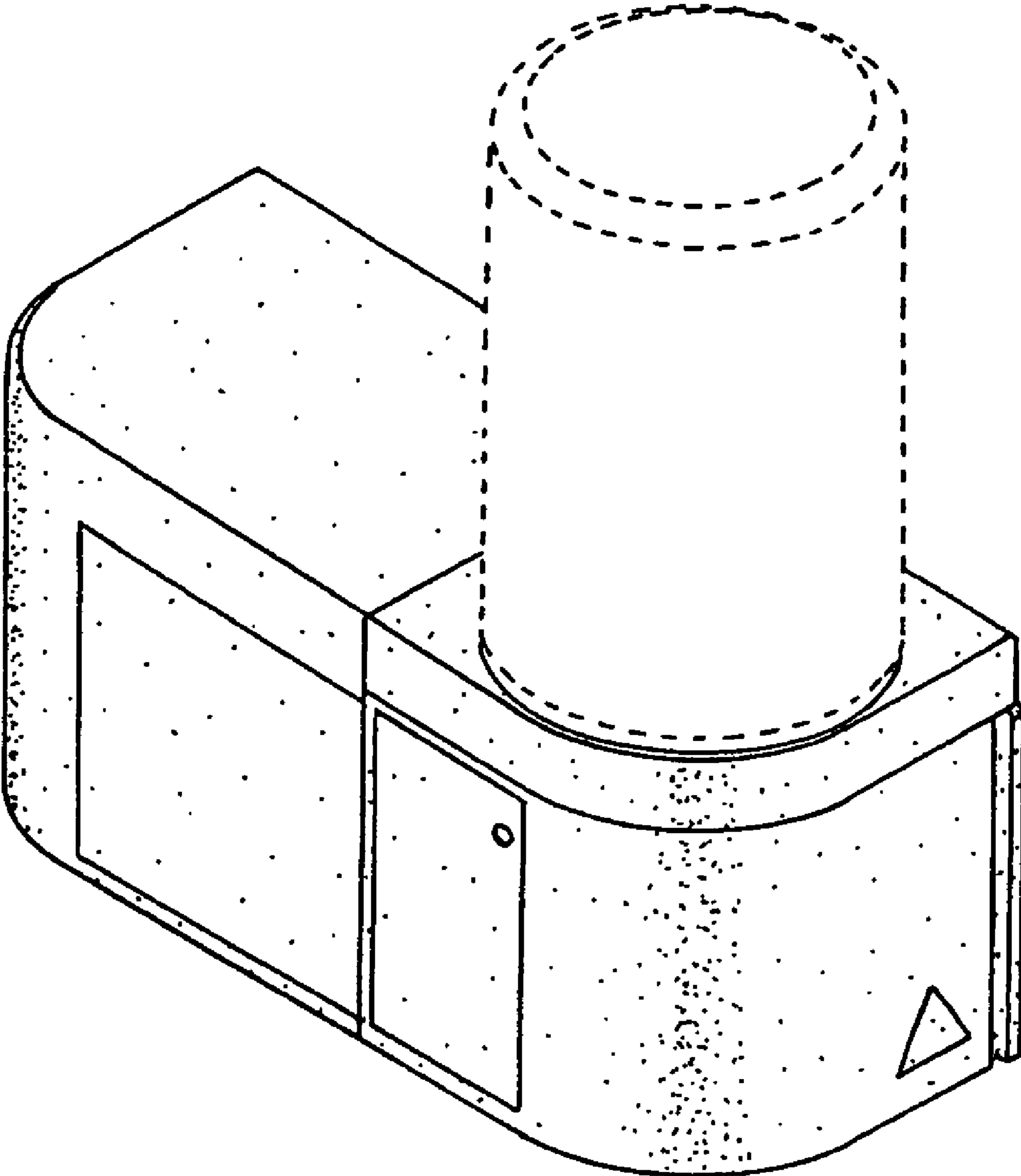


Fig. 7