

US00D642183S

(12) **United States Design Patent**
Chinuki et al.

(10) **Patent No.:** **US D642,183 S**
(45) **Date of Patent:** **** Jul. 26, 2011**

(54) **DISPLAY DEVICE STAND**

(75) Inventors: **Motonari Chinuki**, Tokyo (JP);
Yoshihiko Kato, Tokyo (JP); **Kazunori Sueda**, Saitama (JP)

(73) Assignee: **The Bank of Tokyo-Mitsubishi UFJ, Ltd.**, Tokyo (JP)

(**) Term: **14 Years**

(21) Appl. No.: **29/368,589**

(22) Filed: **Aug. 26, 2010**

Related U.S. Application Data

(63) Continuation of application No. 11/938,466, filed on Nov. 12, 2007, now abandoned.

(30) **Foreign Application Priority Data**

Mar. 26, 2007 (JP) 2007-79515

(51) **LOC (9) Cl.** **08-07**

(52) **U.S. Cl.** **D14/451**

(58) **Field of Classification Search** D14/448,
D14/439, 440, 447, 449, 450, 451, 452, 432,
D14/434, 457, 336, 337, 339, 340, 371, 372,
D14/373, 374, 375, 376, 377, 378, 379, 380,
D14/381, 382, 126, 127, 128, 129, 203.8,
D14/217, 238.1, 239; 345/905; 248/917,
248/918, 919, 920, 921, 922, 923, 924; 348/184,
348/739, 761, 791, 825, 834, 835; 349/58,
349/60; D6/406.1, 406.3, 406.4, 406.5, 406.6;
D8/363, 380; 361/679.06, 679.02, 679.09,
361/679.21, 679.3, 679.55, 679.56, 679.26,
361/679.27

See application file for complete search history.

(56) **References Cited**

U.S. PATENT DOCUMENTS

1,961,119 A 5/1934 Ettinger
(Continued)

FOREIGN PATENT DOCUMENTS

JP 08-069342 3/1996
(Continued)

Primary Examiner — Angela Lee

(74) *Attorney, Agent, or Firm* — Harness, Dickey & Pierce, PLC

(57) **CLAIM**

The ornamental design for a device display stand, as shown and described.

DESCRIPTION

FIG. 1 is a perspective view of the display device stand, where an exemplary display and unclaimed features of the display device stand have been shown in phantom lines;

FIG. 2 is a first side view of the display device stand of FIG. 1, where an exemplary display and unclaimed features of the display device stand have been shown in phantom lines;

FIG. 3 is a front view of the display device stand of FIG. 1, showing the head in a retracted and tilted upright orientation and, where an exemplary display and unclaimed features of the display device stand have been shown in phantom lines;

FIG. 4 is a top view of the display device stand of FIG. 1, where an exemplary display and unclaimed features of the display device stand have been shown in phantom lines;

FIG. 5 is a second side view of the display device stand of FIG. 1, opposite that of FIG. 2 and showing the head in a retracted and tilted upright orientation and where an exemplary display and unclaimed features of the display device stand have been shown in phantom lines;

FIG. 6 is a rear view of the display device stand of FIG. 1, showing the head in a retracted and tilted upright orientation, and where an exemplary display and unclaimed features of the display device stand have been shown in phantom lines;

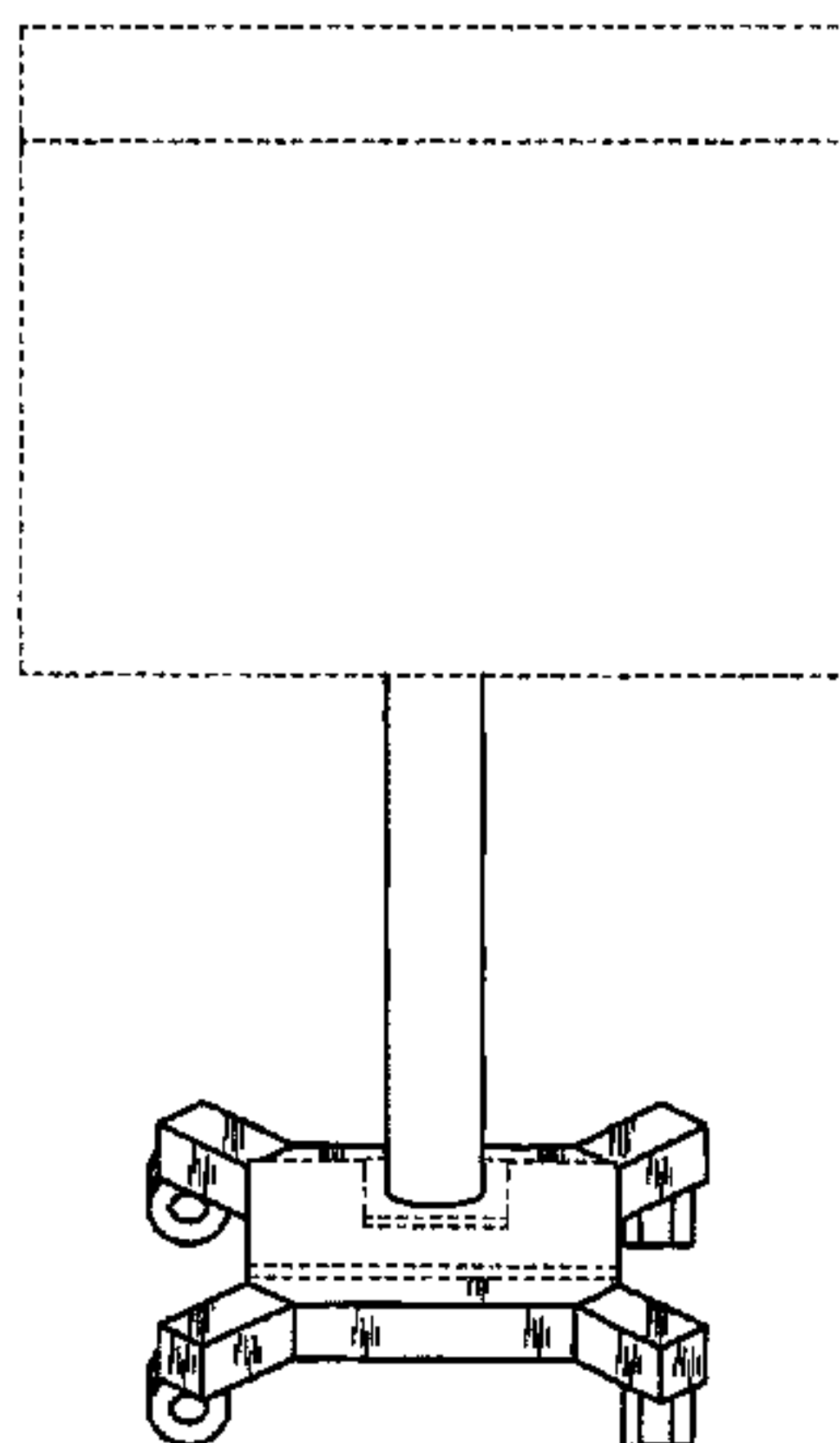
FIG. 7 is a bottom view of the display device stand of FIG. 1, where unclaimed portions of the underside of the display device stand have been shown in phantom lines;

FIG. 8 is a front view of the display device stand of FIG. 1, where the exemplary display has been rendered as see-through to more fully illustrate the front view of the display device stand; and,

FIG. 9 is a side view of the display device stand of FIG. 1 showing the head in an extended and tilted back orientation, where an exemplary display and unclaimed features of the display device stand have been shown in phantom lines.

The portions of the display device stand and display shown in broken lines form no part of the claimed design.

1 Claim, 5 Drawing Sheets



US D642,183 S

Page 2

U.S. PATENT DOCUMENTS

2,952,485	A	9/1960	Hammond et al.	
4,307,862	A	12/1981	Claussen	
4,744,536	A	5/1988	Bancalari	
4,905,944	A	3/1990	Jost et al.	
5,242,145	A	9/1993	Linnell	
5,915,659	A	6/1999	Scannell	
5,918,841	A	7/1999	Sweere et al.	
D439,225	S *	3/2001	Kita	D14/126
6,334,687	B1	1/2002	Chino et al.	
D455,131	S *	4/2002	Reynaga et al.	D14/126
6,439,515	B1	8/2002	Powers	
D474,047	S *	5/2003	Lara	D6/479
6,561,469	B1	5/2003	Masuda et al.	
6,575,419	B1	6/2003	Masuda et al.	
6,581,893	B1	6/2003	Lu	
D489,340	S *	5/2004	Honda	D14/126
6,796,536	B1	9/2004	Sevier	
D504,876	S *	5/2005	Zheng	D14/126
6,929,224	B1	8/2005	Masuda et al.	
6,962,312	B2	11/2005	Shih	
7,040,591	B1	5/2006	Simon	
7,118,080	B2	10/2006	Chan et al.	
7,147,191	B2	12/2006	Ichikawa et al.	
7,201,353	B1	4/2007	Freeman	
7,261,261	B2	8/2007	Ligertwood	
D575,774	S *	8/2008	Harris et al.	D14/239
7,421,762	B2	9/2008	Lu et al.	
7,448,581	B2	11/2008	Lim et al.	
7,474,522	B2	1/2009	Bliven	
D597,975	S *	8/2009	Ohno	D14/126
7,605,318	B2	10/2009	Dover	
D603,412	S *	11/2009	Wills et al.	D14/451
D615,072	S *	5/2010	Saitou	D14/239
7,782,607	B2 *	8/2010	Harbin et al.	361/679.41

D625,302	S *	10/2010	Kasuga et al.	D14/239
2002/0020792	A1	2/2002	Lee	
2003/0080272	A1	5/2003	Toghanian	
2003/0121124	A1	7/2003	Chen	
2003/0122051	A1	7/2003	Belford	
2003/0142468	A1	7/2003	Chin	
2003/0173476	A1	9/2003	Masuda et al.	
2003/0174259	A1	9/2003	Yang	
2004/0257753	A1	12/2004	Rossini	
2005/0139736	A1	6/2005	Breda et al.	
2005/0288571	A1 *	12/2005	Perkins et al.	600/407
2006/0022096	A1	2/2006	Chan et al.	
2006/0038104	A1	2/2006	Choi	
2006/0196998	A1	9/2006	Matteo	
2006/0231695	A1	10/2006	Lim et al.	
2007/0097610	A1	5/2007	Lee	
2007/0138356	A1	6/2007	Johansson et al.	
2007/0187559	A1	8/2007	Newkirk et al.	
2007/0221796	A1	9/2007	Silverman et al.	
2007/0235626	A1	10/2007	Mamizuka et al.	
2007/0252919	A1	11/2007	McGreevy	
2008/0116327	A1	5/2008	Goldberg	
2008/0239638	A1 *	10/2008	Chinuki et al.	361/681
2009/0173845	A1	7/2009	Wang et al.	
2009/0242722	A1	10/2009	Lee et al.	

FOREIGN PATENT DOCUMENTS

JP	2000-112375	4/2000
JP	2001-146874	5/2001
JP	2003-140560	5/2003
JP	2004-229051	8/2004
JP	2006-030913	2/2006
JP	2006-64845	3/2006

* cited by examiner

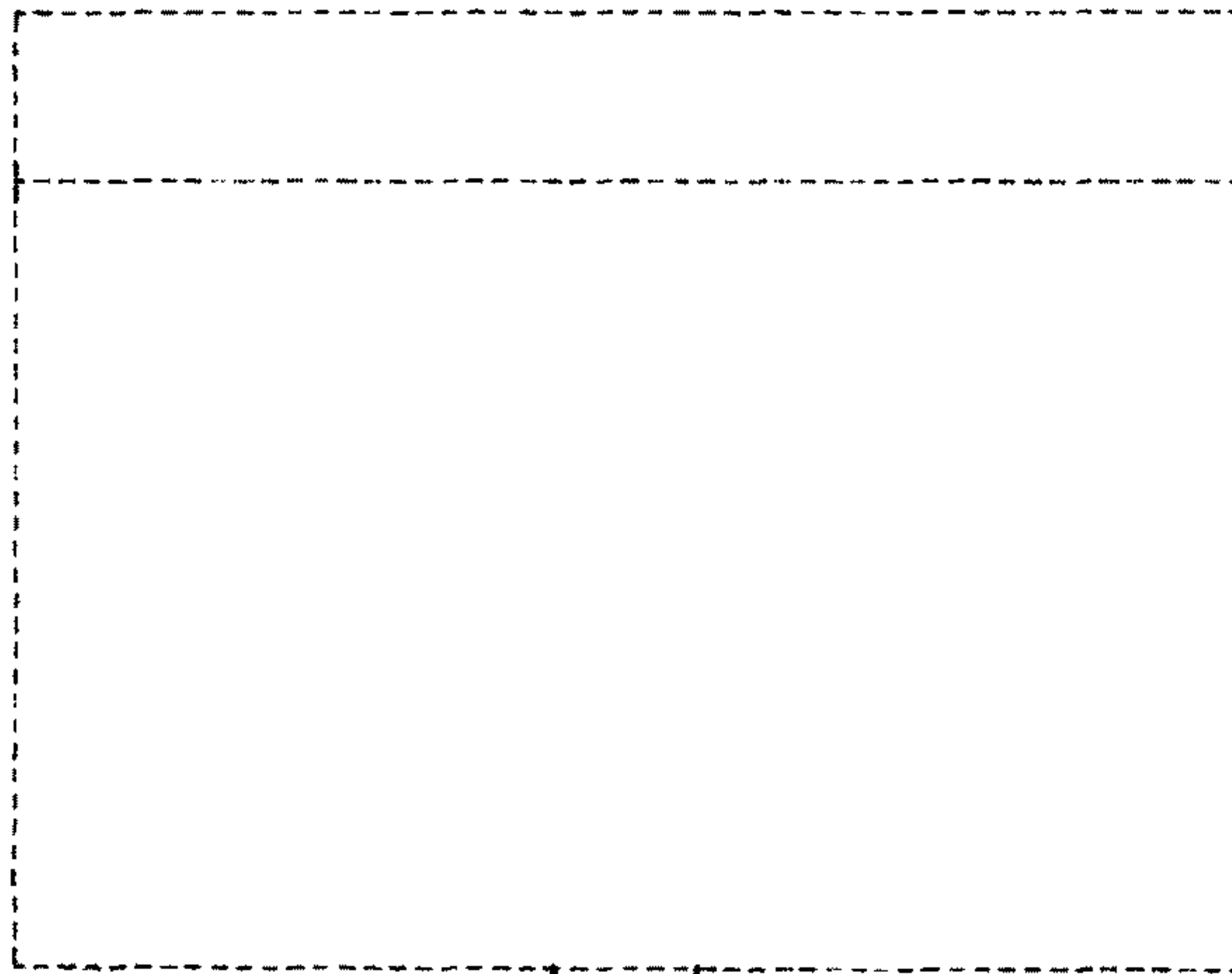


FIG - 1

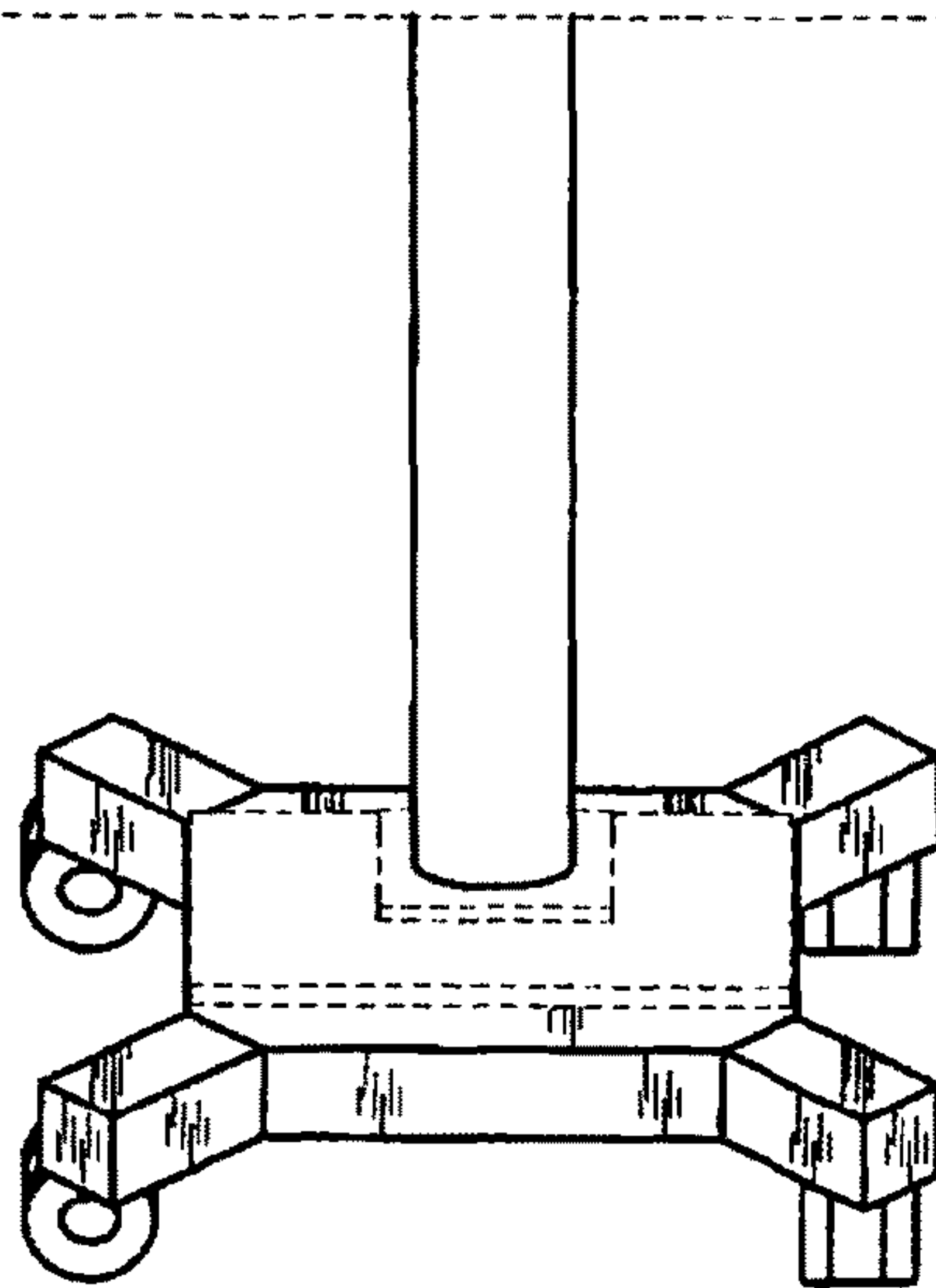
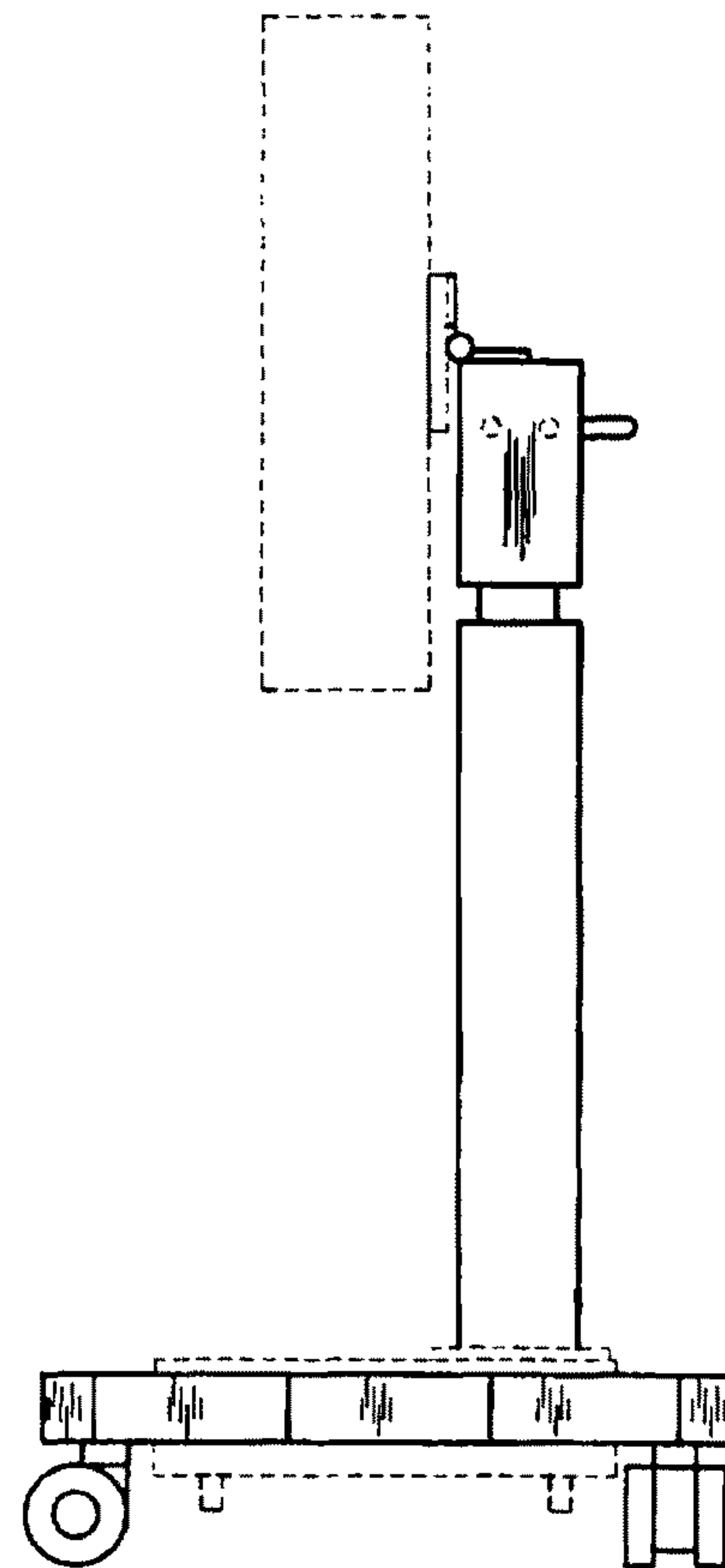


FIG - 2



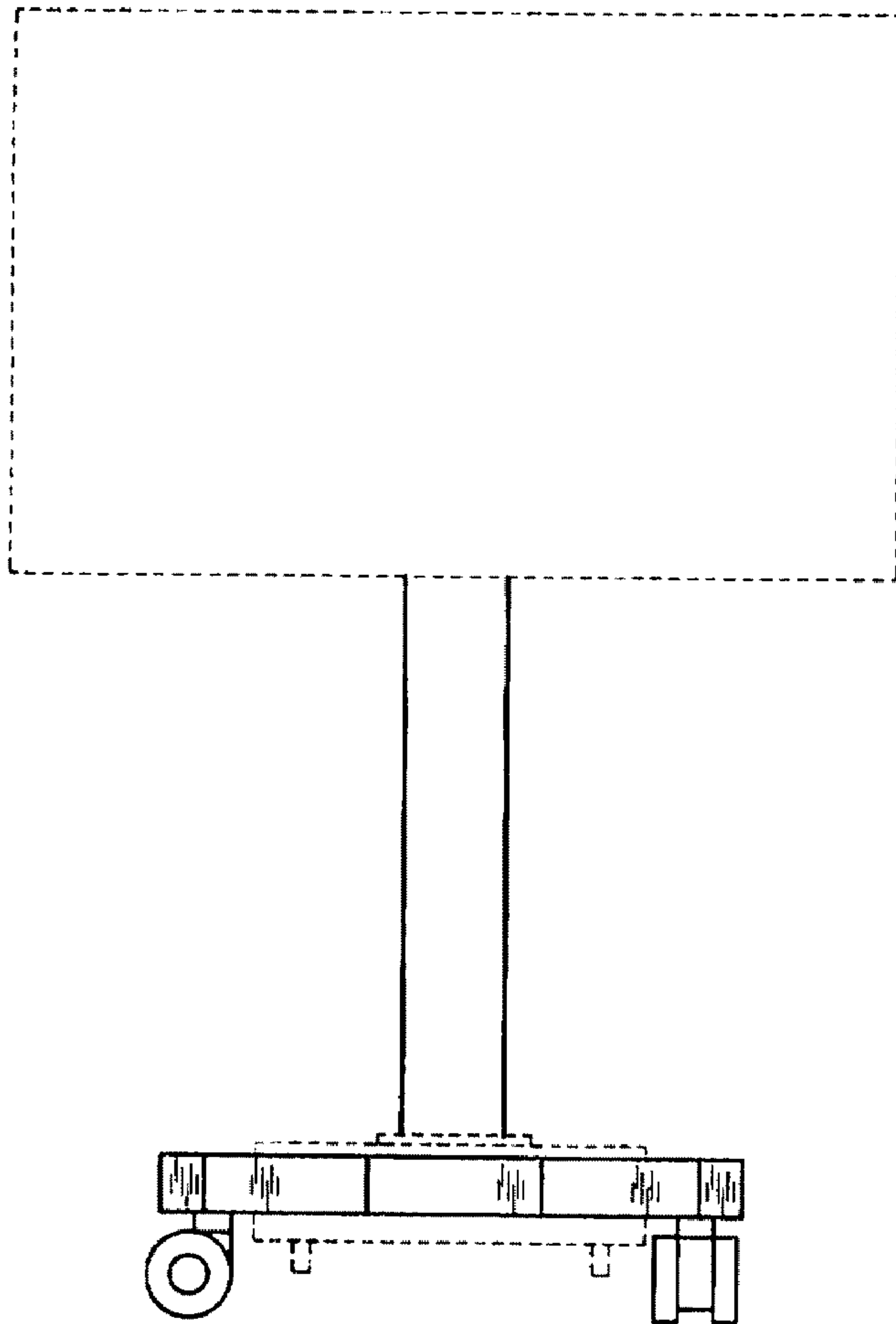


FIG - 3

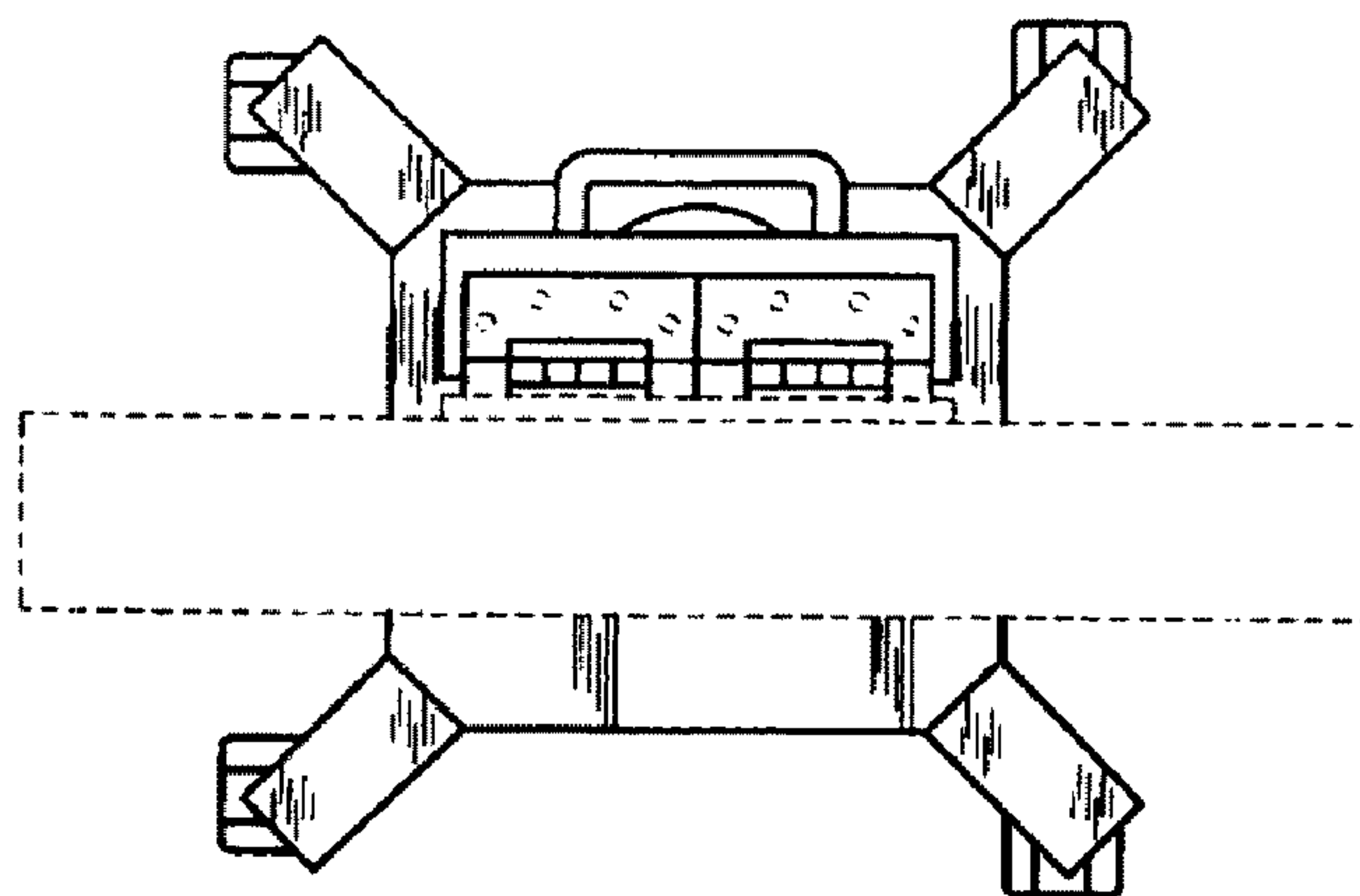


FIG - 4

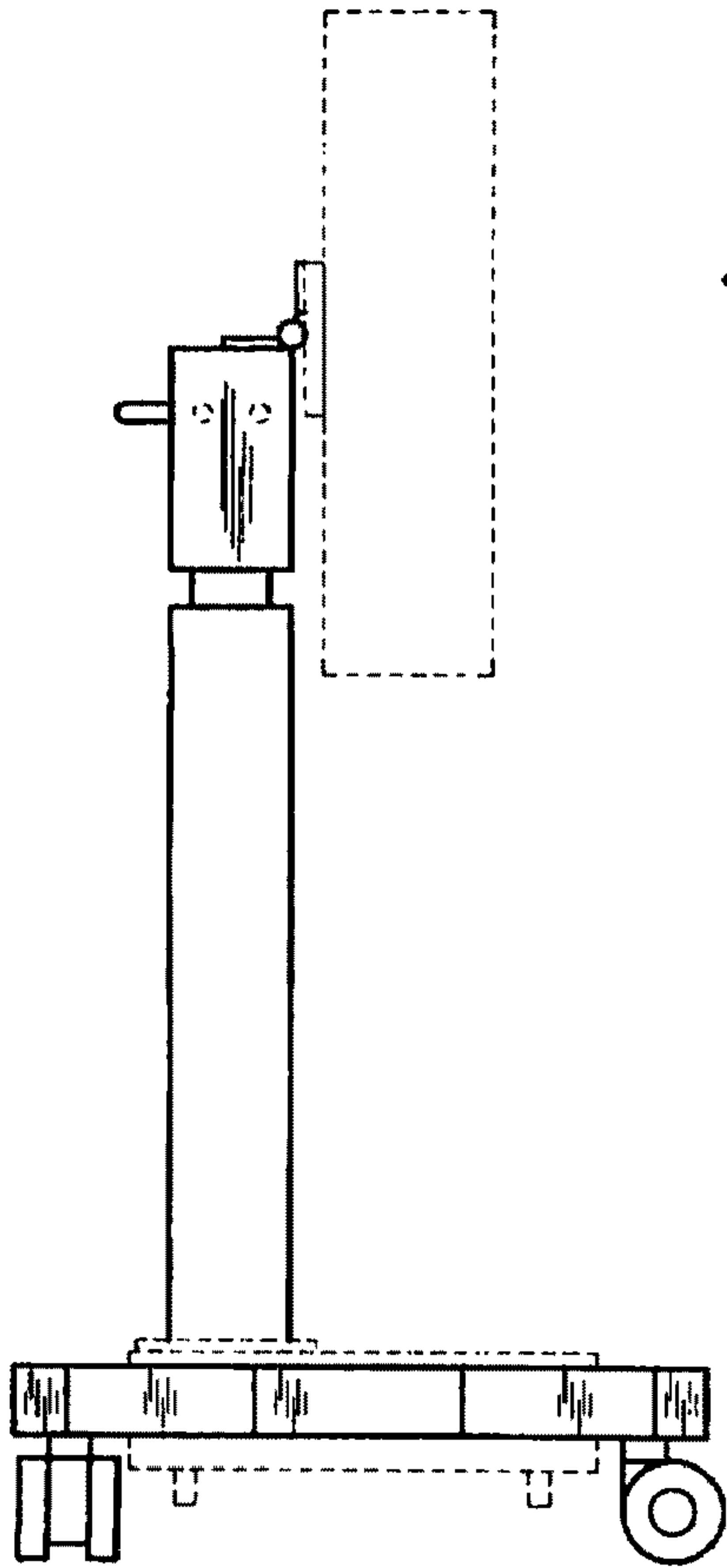


FIG - 5

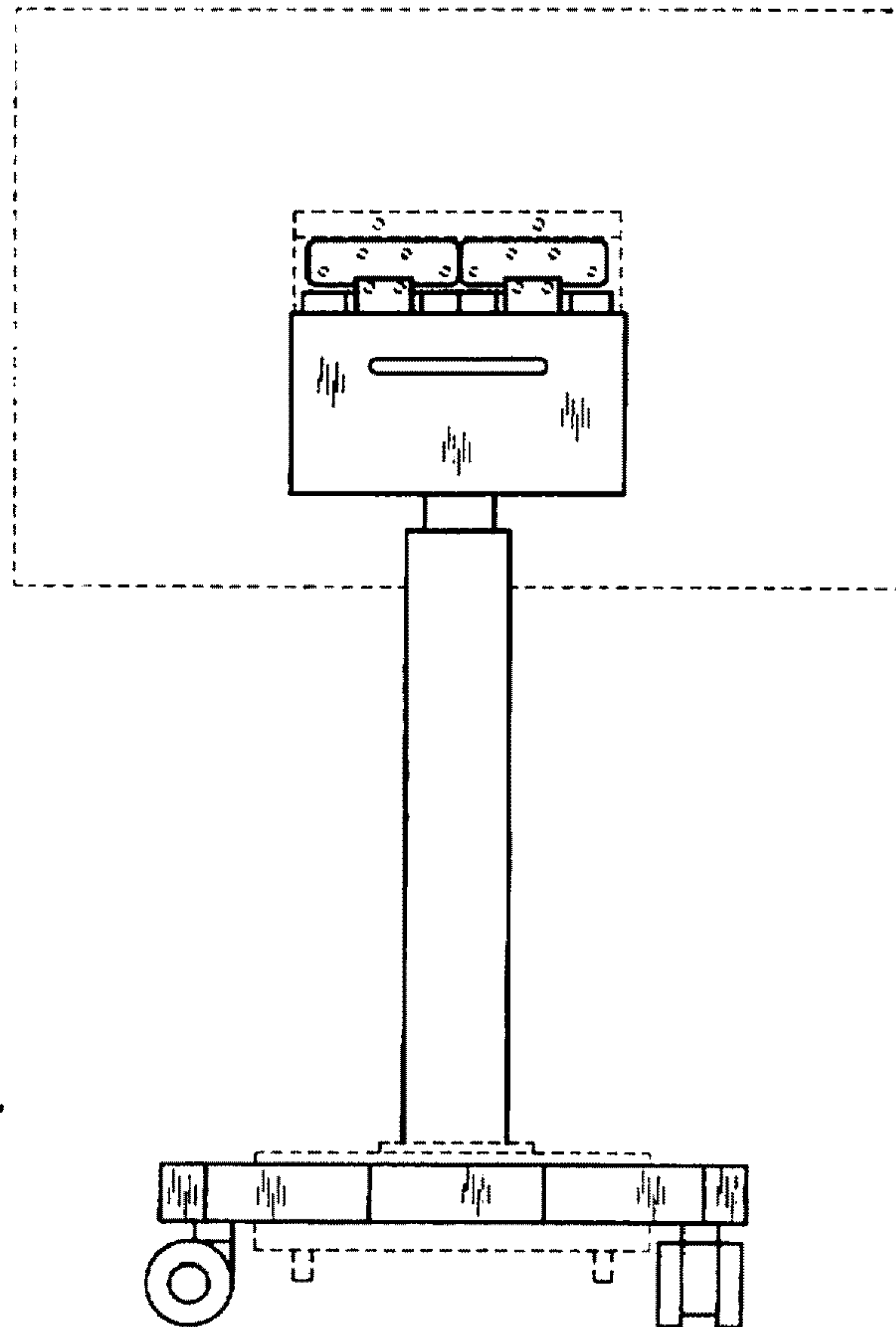


FIG - 6

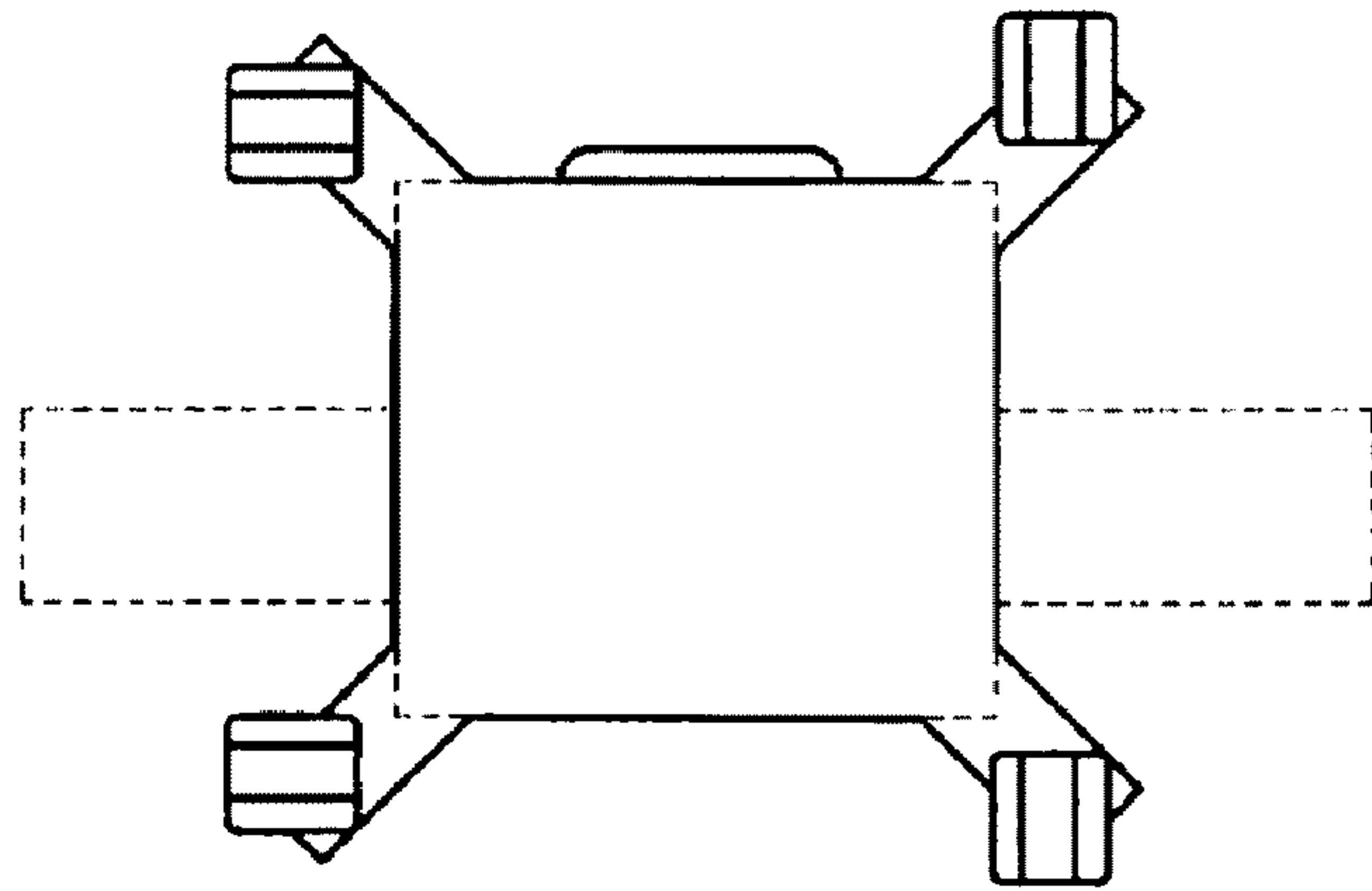


FIG - 7

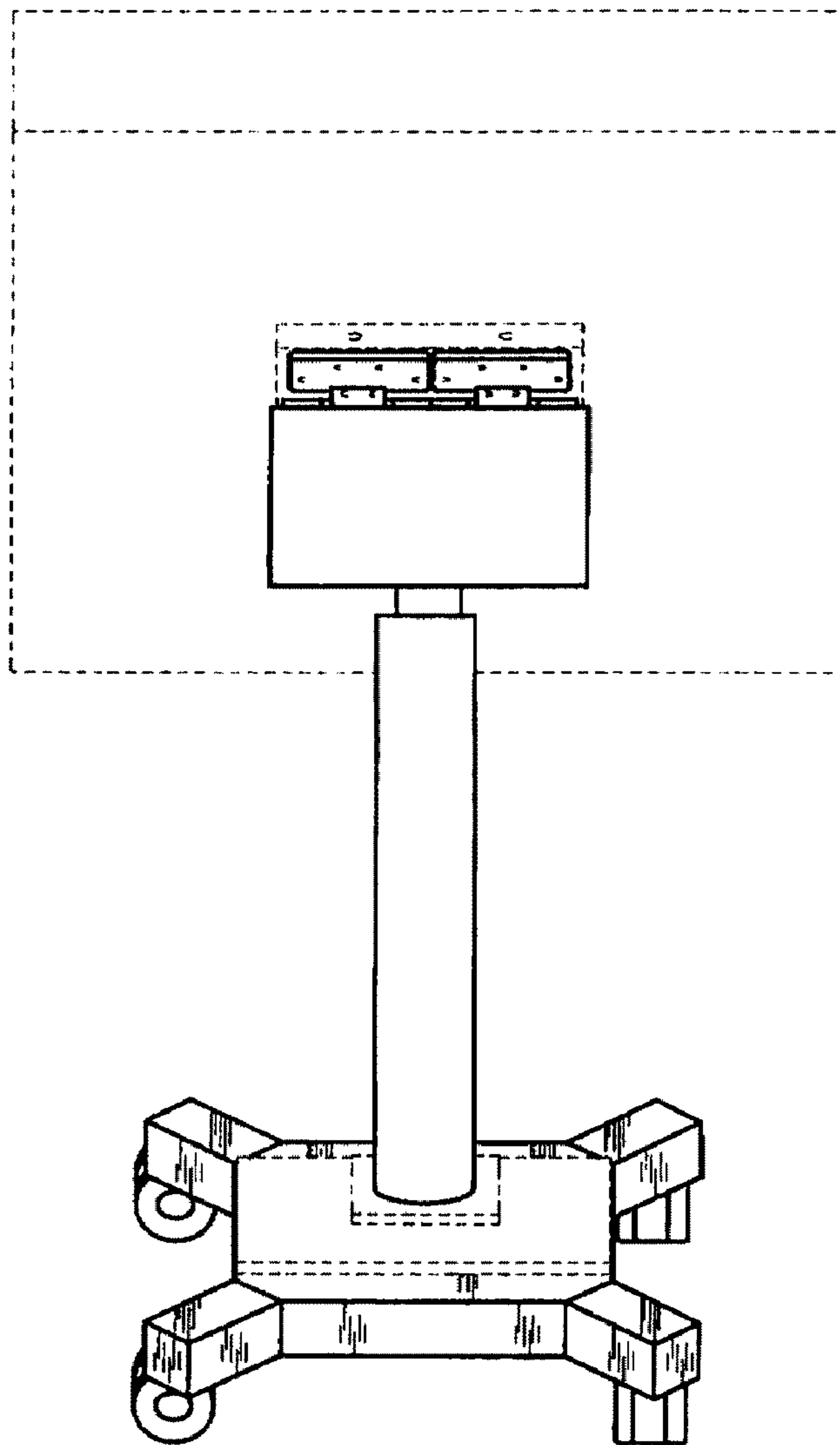


FIG - 8

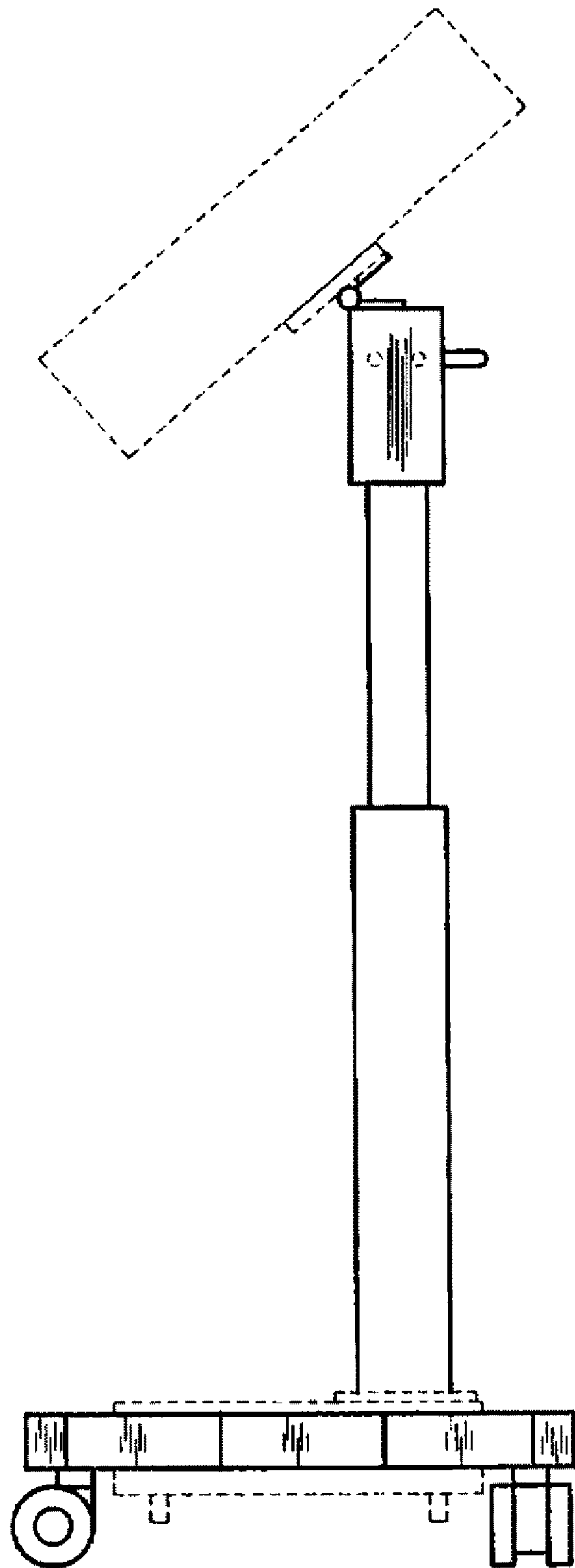


FIG - 9