

US00D642180S

(12) **United States Design Patent**  
**Hampf et al.**

(10) **Patent No.:** **US D642,180 S**  
(45) **Date of Patent:** **\*\* Jul. 26, 2011**

(54) **IMAGING DEVICE**

(75) Inventors: **Holger Hampf**, Newbury Park, CA (US); **Etienne Iliffe-Moon**, Newbury Park, CA (US); **Shanshan Li**, Fort Collins, CO (US); **Fred O. Stephens**, Loveland, CO (US)

(73) Assignee: **Hewlett-Packard Development Company, L.P.**, Houston, TX (US)

(\*\*) Term: **14 Years**

(21) Appl. No.: **29/380,173**

(22) Filed: **Dec. 1, 2010**

(51) **LOC (9) Cl.** ..... **14-02**

(52) **U.S. Cl.** ..... **D14/422**

(58) **Field of Classification Search** ..... D14/420, D14/422, 425, 462-470, 424, 389, 125, 399; D18/54, 55, 50, 53, 36-39, 14, 18-21, 49, D18/46, 52, 56, 51, 54.4; D13/164, 168; 358/400, 401, 448, 474, 486-488, 496, 497, 358/494, 473, 302, 468, 498; 382/312, 317, 382/321, 315; 400/613, 613.1-613.4, 690.1-690.4, 400/691-694, 88, 175; 399/107, 379, 380, 399/211, 212; 235/462.11, 462.41, 472.01, 235/470, 462.43; 361/680, 681; 378/177, 378/187, 188; 101/93.4, 269; 355/78; D24/165, D24/169, 186; 600/502, 503, 499, 494, 490, 600/485, 500, 492, 480, 493, 495, 479; 128/900; 16/286; 347/104, 109, 5; 271/186, 225, 271/126, 121, 137, 138

See application file for complete search history.

(56) **References Cited**

**U.S. PATENT DOCUMENTS**

D260,884 S \* 9/1981 Sakamoto ..... D14/340  
D263,831 S 4/1982 Barbera et al.  
D264,846 S 6/1982 Taguchi  
D273,584 S \* 4/1984 McGarvey et al. .... D14/335  
D294,250 S \* 2/1988 Watanabe et al. .... D14/130

4,806,036 A 2/1989 Ward et al.  
D303,956 S \* 10/1989 Ditzik ..... D14/335  
D312,079 S 11/1990 Komatsu  
D315,360 S 3/1991 Tokuda et al.  
D333,304 S \* 2/1993 Taniuchi et al. .... D14/467  
D333,316 S 2/1993 Ishizawa  
D333,672 S \* 3/1993 Minamizono ..... D18/4.5  
D337,578 S 7/1993 Nagele  
D338,878 S \* 8/1993 Savio ..... D18/4.5  
D340,740 S 10/1993 Kawashima  
D344,513 S 2/1994 Taniuchi et al.  
D345,966 S \* 4/1994 Perez ..... D18/4.5  
D350,977 S 9/1994 Lewis et al.  
D358,409 S \* 5/1995 Whiston ..... D18/4.1  
D373,576 S \* 9/1996 Liggett ..... D14/341  
D378,927 S 4/1997 Kasahara et al.  
D382,256 S 8/1997 Lin

(Continued)

**OTHER PUBLICATIONS**

Richard Jantz, Canon DR-2050C Sheetfed Scanner Review, www.pcworld.com, Feb. 19, 2007, (2 pages).

(Continued)

*Primary Examiner* — Susan Moon Lee

(57) **CLAIM**

The ornamental design for an imaging device, substantially as shown and described.

**DESCRIPTION**

FIG. 1 is a top-left-front perspective view of an imaging device;

FIG. 2 is a front view thereof;

FIG. 3 is a rear view thereof;

FIG. 4 is a top view thereof;

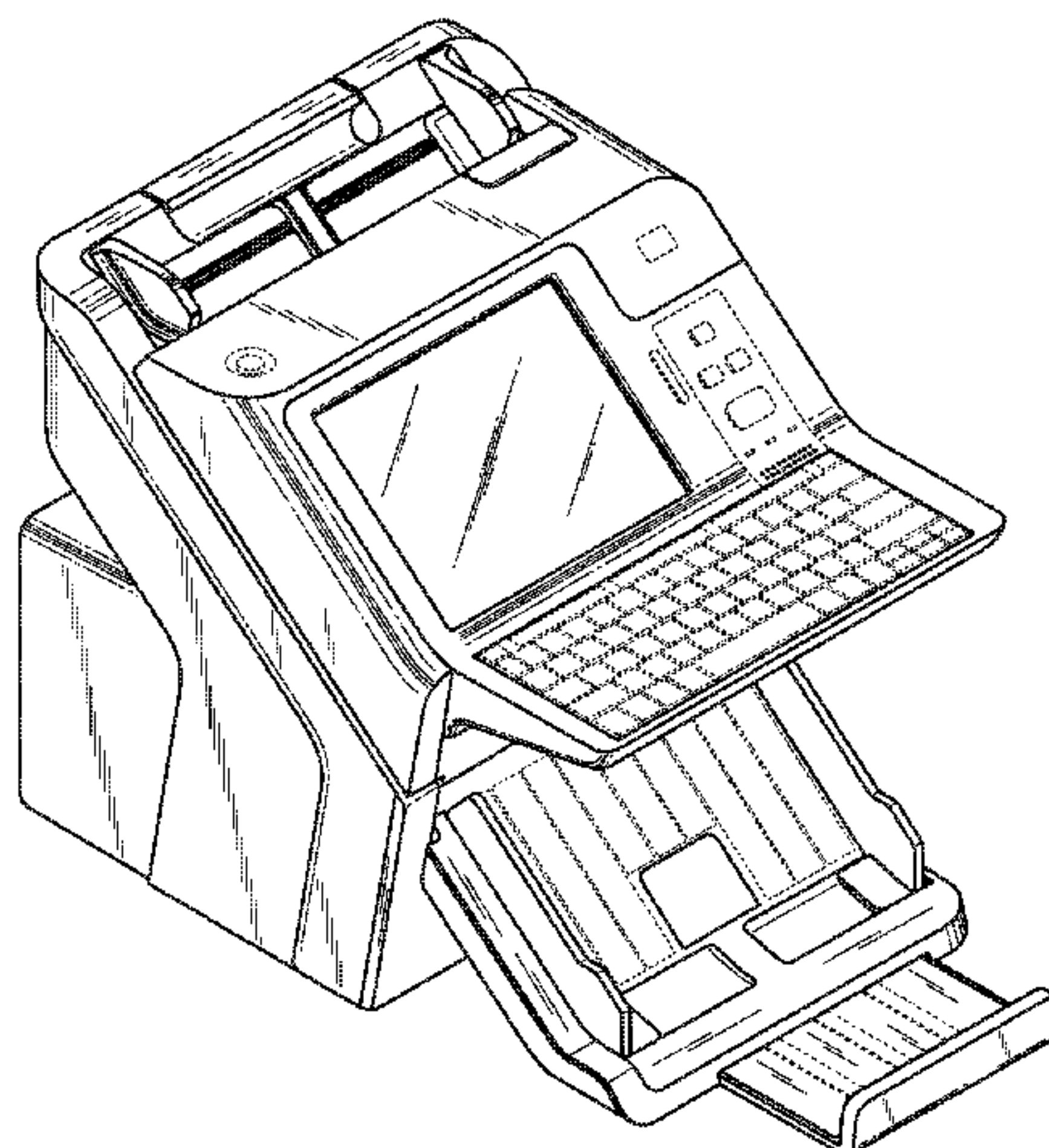
FIG. 5 is a bottom view thereof;

FIG. 6 is a left side view thereof; and,

FIG. 7 is a right side view thereof.

The portions shown in broken lines are for illustrative purposes only and form no part of the claimed design.

**1 Claim, 7 Drawing Sheets**



# US D642,180 S

Page 2

## U.S. PATENT DOCUMENTS

D399,524 S 10/1998 Nakajima  
D408,799 S 4/1999 Daury  
D409,584 S 5/1999 Feherolf  
D412,900 S \* 8/1999 Utsugi ..... D14/132  
D422,570 S 4/2000 Kobayashi  
6,053,412 A \* 4/2000 Wike et al. .... 235/462.43  
D443,878 S 6/2001 Sakata et al.  
D444,813 S 7/2001 Quijano  
D447,137 S \* 8/2001 Hultzman ..... D14/336  
D458,255 S \* 6/2002 Hsu ..... D14/373  
6,540,219 B1 4/2003 Naruse et al.  
D475,052 S 5/2003 Chujou et al.  
6,568,674 B2 5/2003 Matsuda  
D478,618 S 8/2003 Obara  
D518,826 S 4/2006 Chujou et al.

D571,371 S \* 6/2008 Kuroda et al. .... D14/422  
D573,596 S 7/2008 Laidlaw et al.  
D579,016 S 10/2008 Romanoff et al.  
D631,050 S 1/2011 Lliffe-Moon et al.  
2003/0063337 A1 4/2003 Shirai et al.

## OTHER PUBLICATIONS

Richard Jantz, Fujitsu ScanS nap s500 Review, [www.pcworl.com](http://www.pcworl.com), Feb. 19, 2007, (2 pages).

Richard Jantz, HP Scanjet N6010 Sheetfed Scanner Review, [www.pcworld.com](http://www.pcworld.com), Feb. 19, 2007, (2 pages).

Richard Jantz, Kodak i1210 Sheetfed Scanner Review, [www.pcworld.com](http://www.pcworld.com), Feb. 19, 2007, (2 pages).

\* cited by examiner



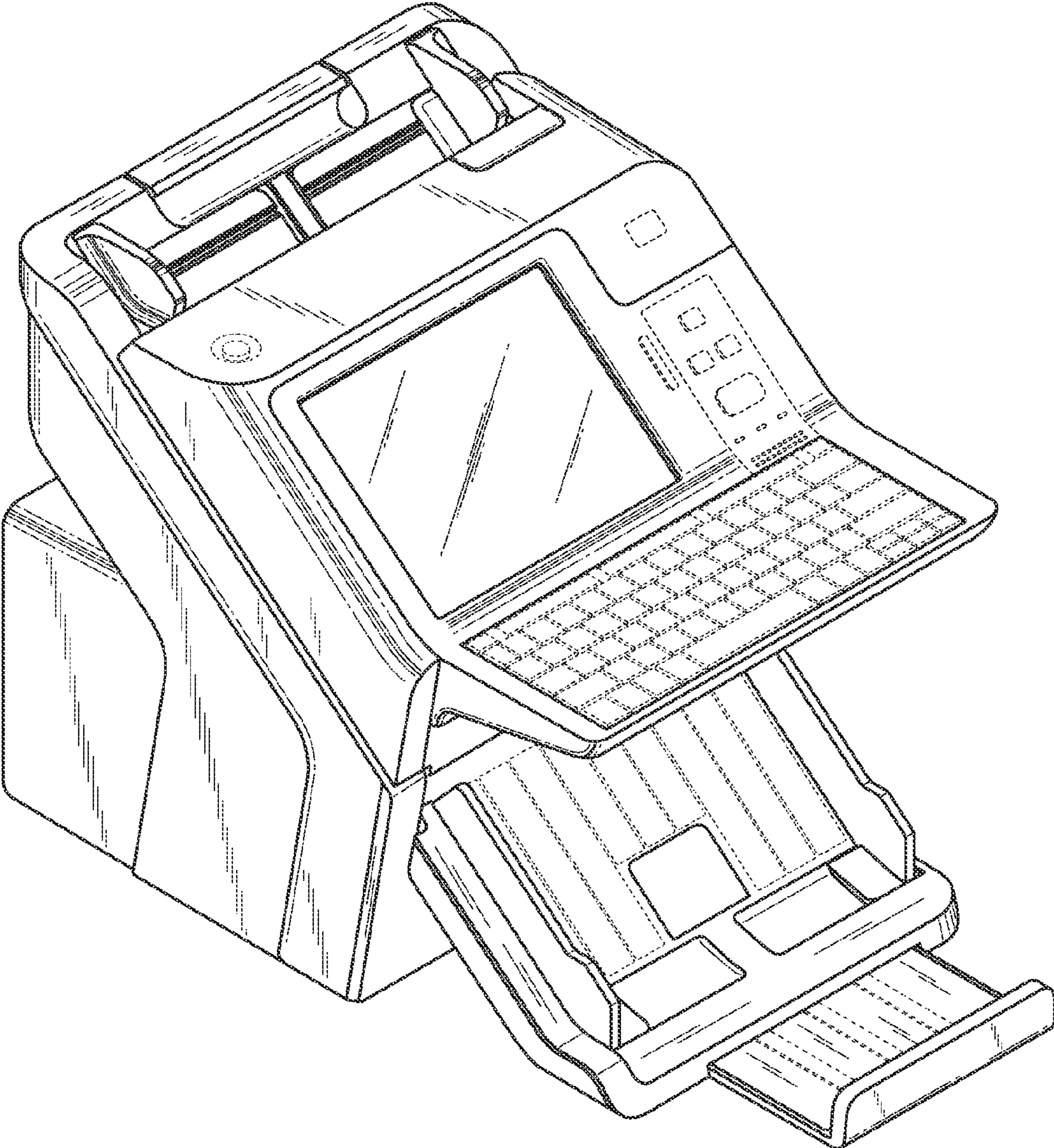


Fig. 1

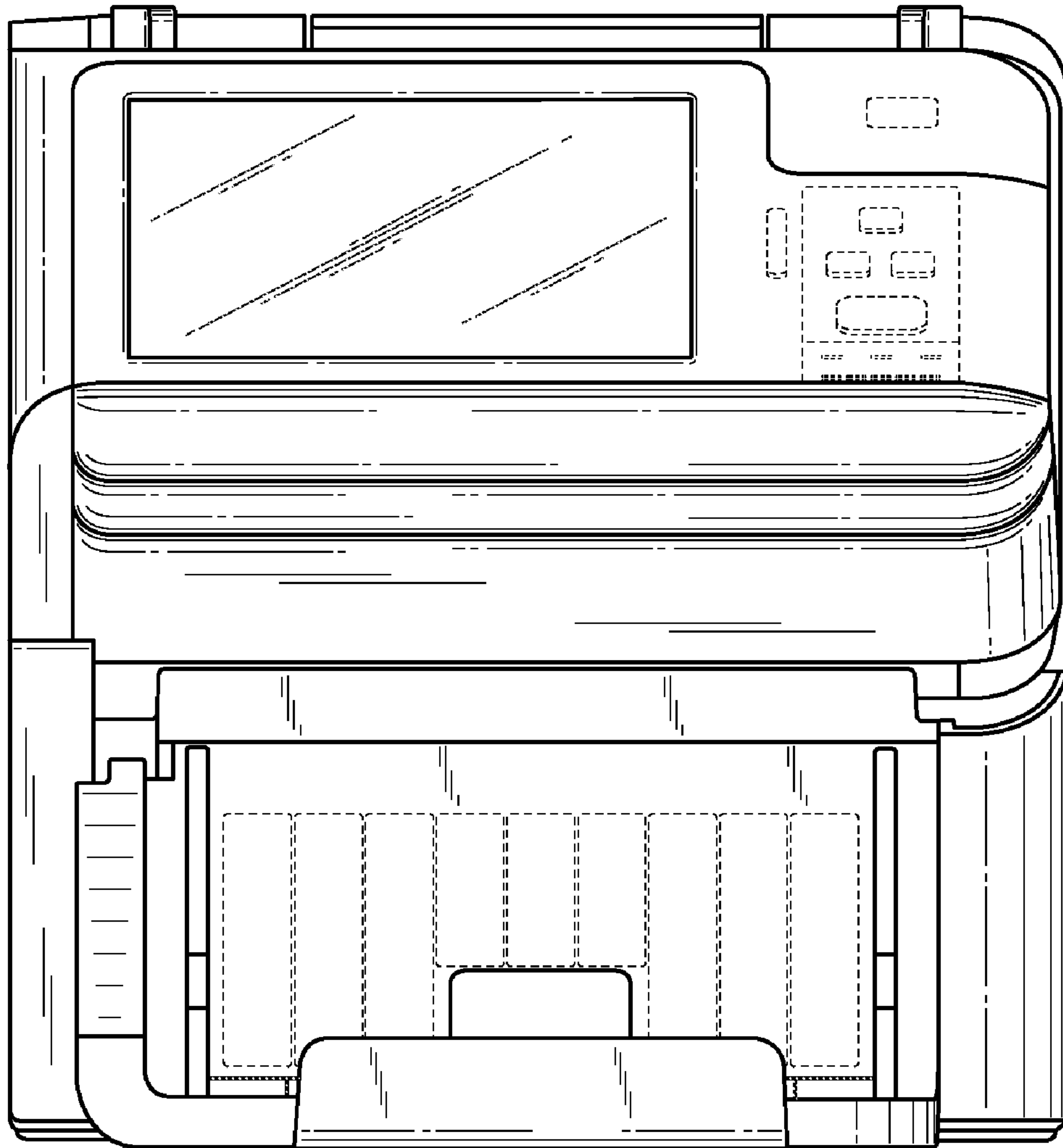


Fig. 2

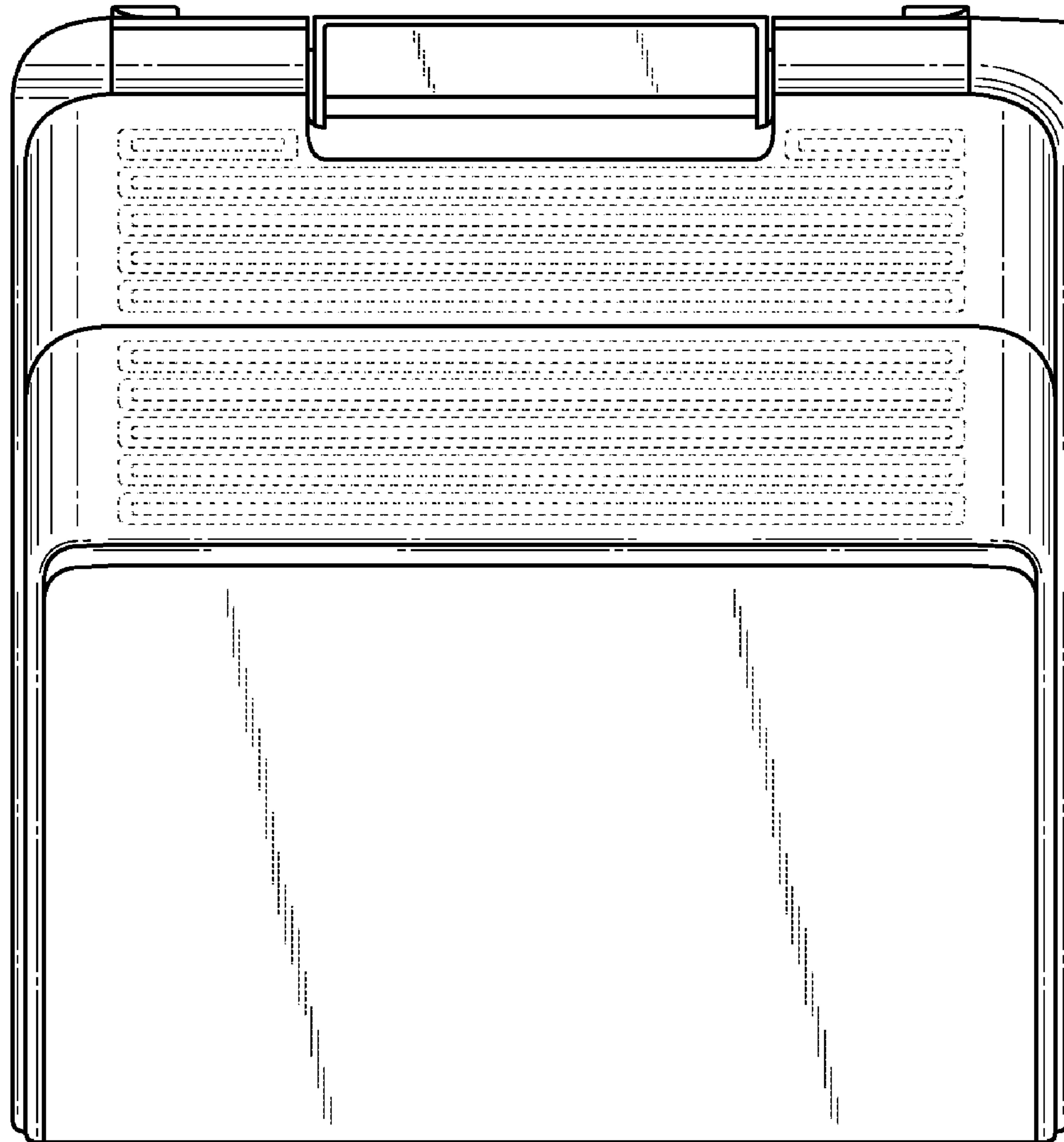


Fig. 3

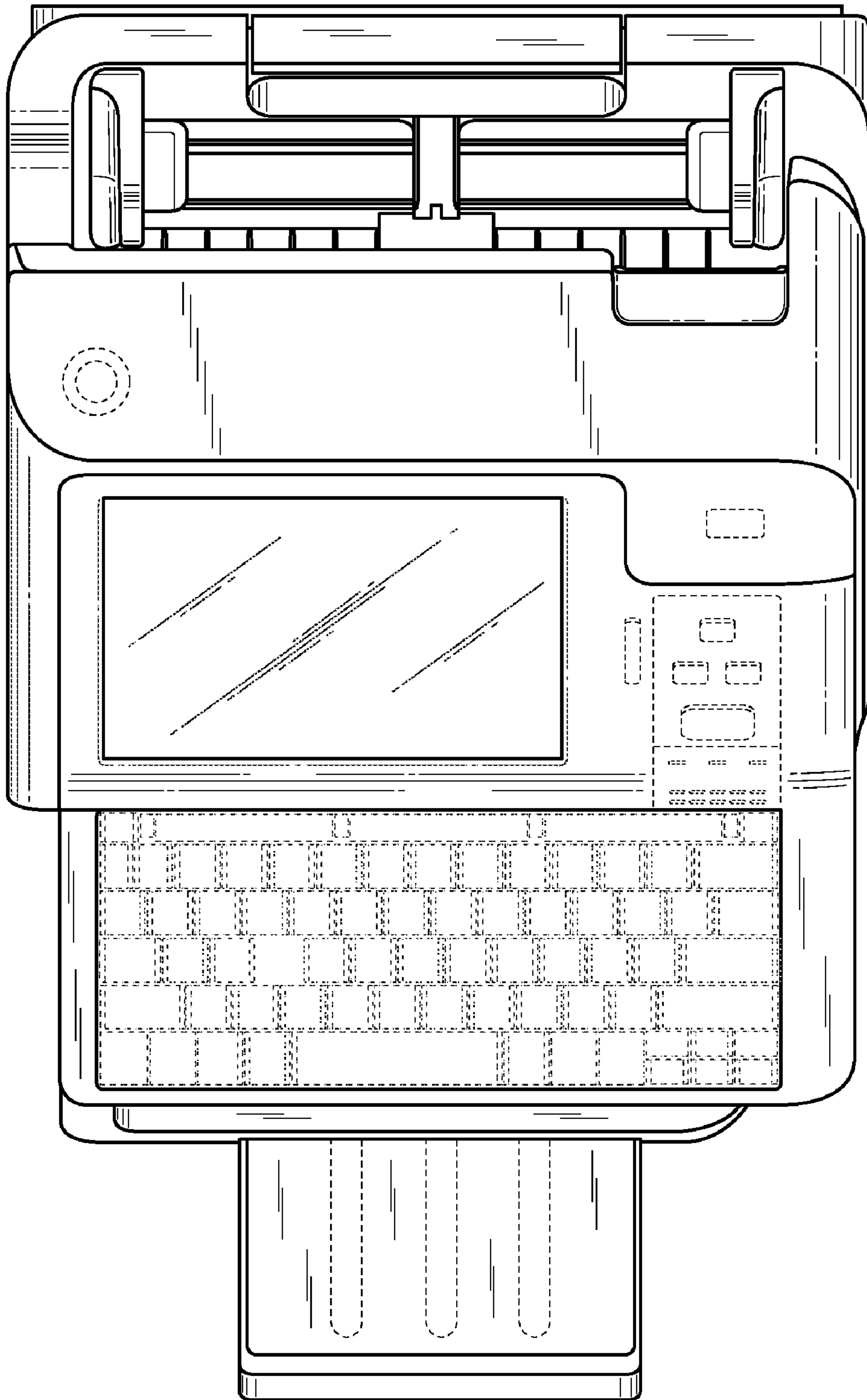


Fig. 4

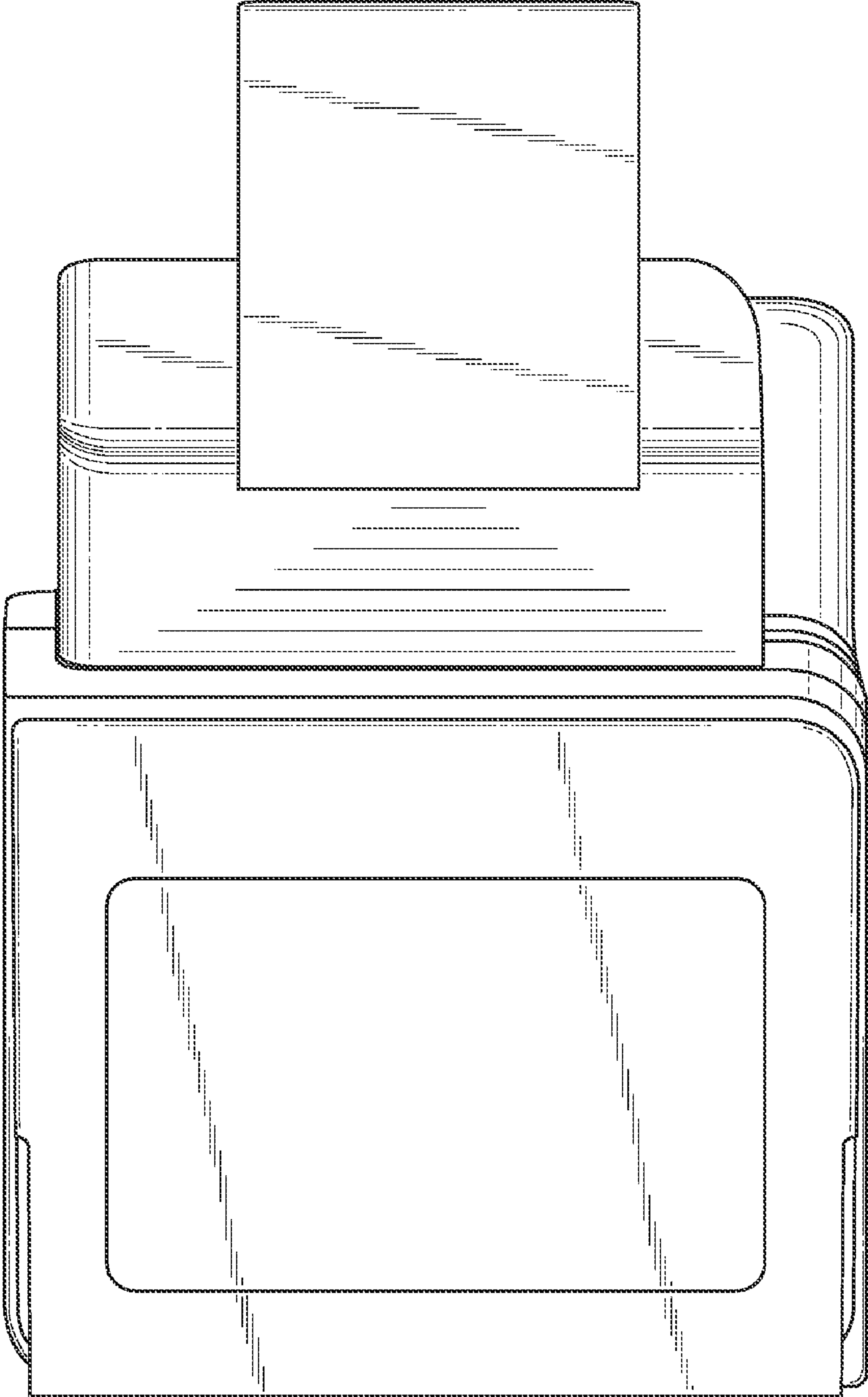


Fig. 5



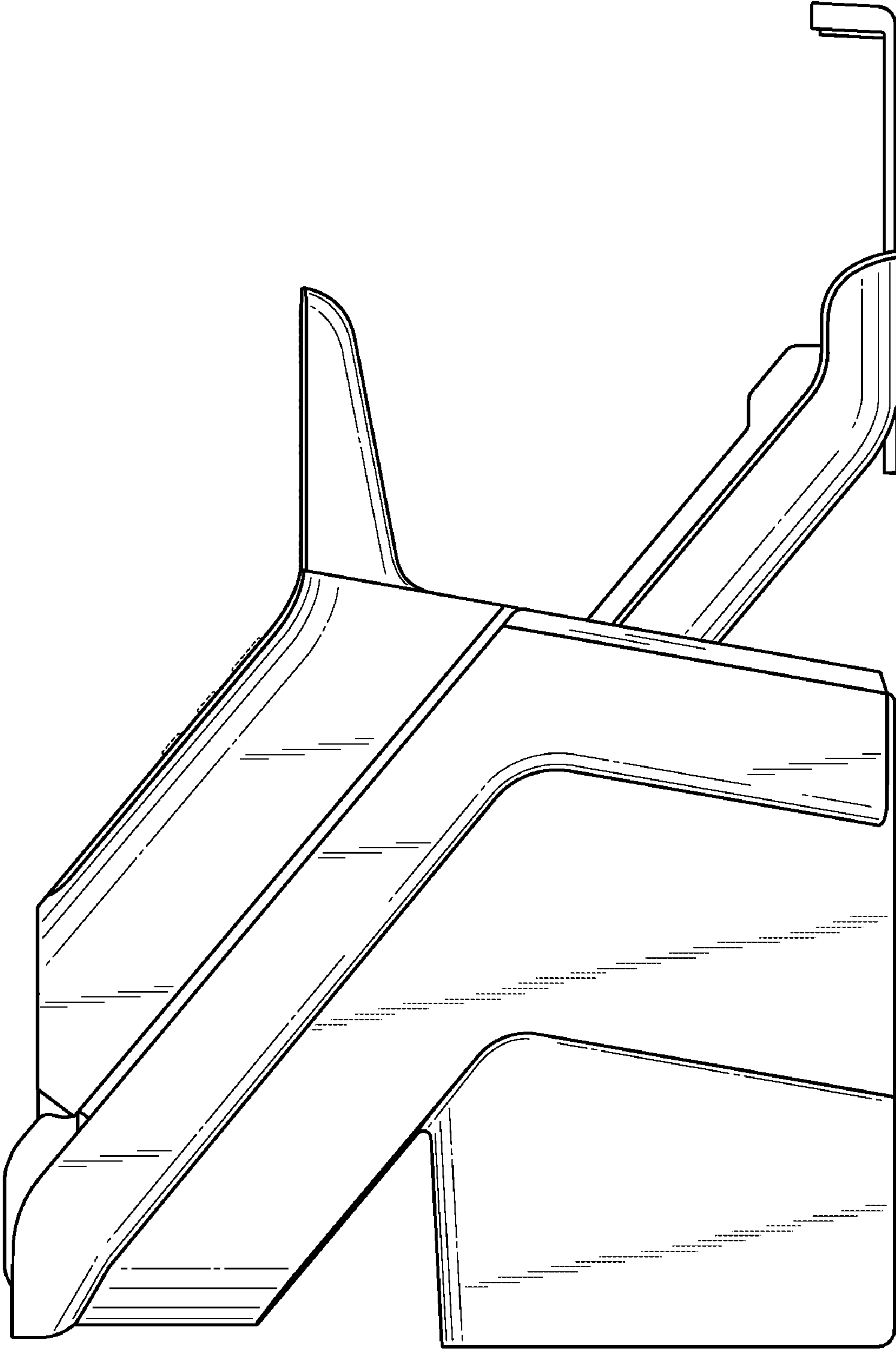


Fig. 6



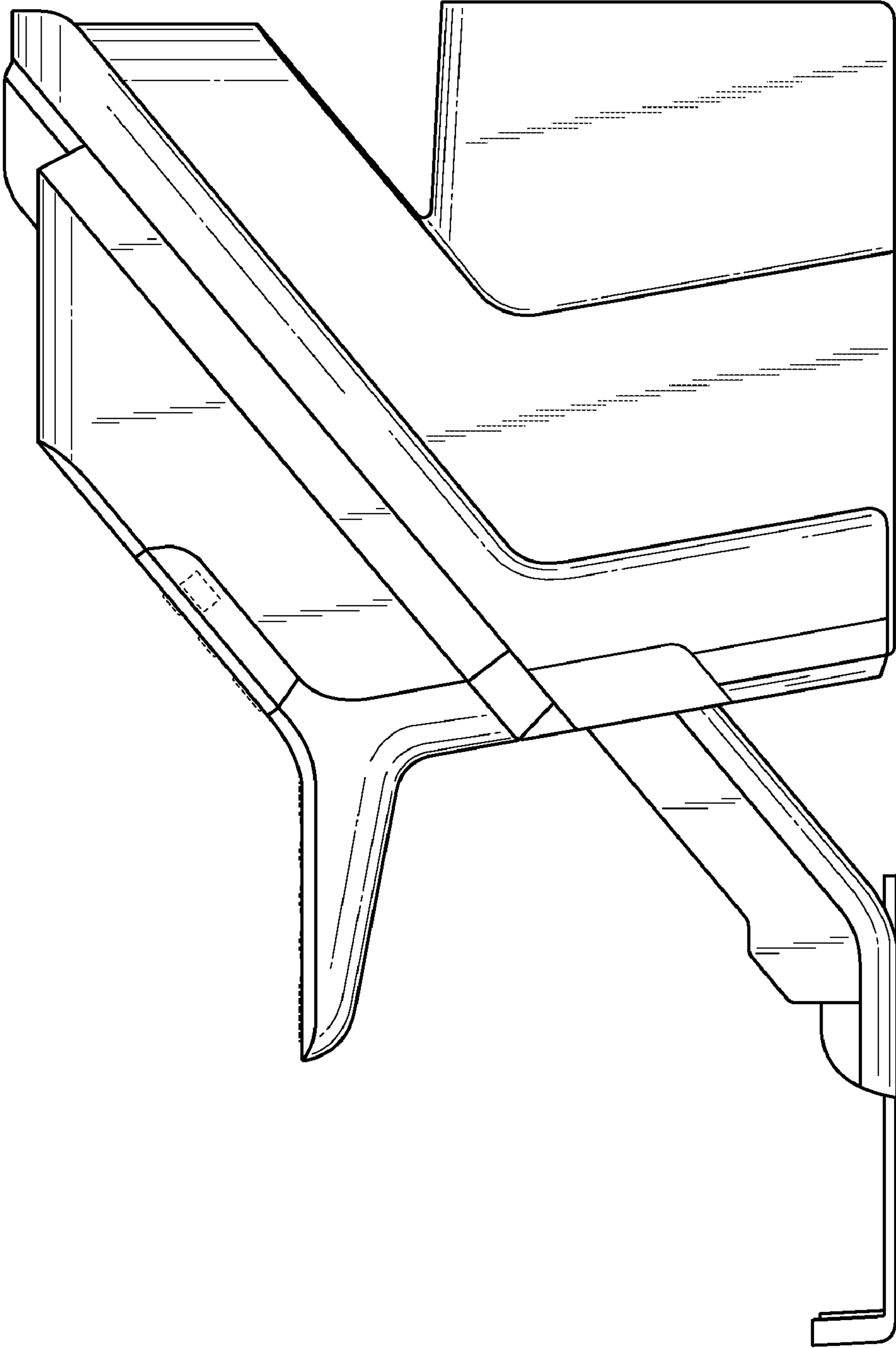


Fig. 7