



US00D642179S

(12) **United States Design Patent**  
**Kuroda et al.**

(10) **Patent No.:** **US D642,179 S**

(45) **Date of Patent:** **\*\* Jul. 26, 2011**

(54) **SCANNER**

(75) Inventors: **Hiroyuki Kuroda**, Kahoku (JP); **Satoshi Kuroda**, Kahoku (JP); **Minoru Sugitani**, Kahoku (JP); **Toshiki Satoji**, Milan (IT); **Luigi Zanca**, Milan (IT)

(73) Assignee: **PFU Limited**, Kahoku-Shi (JP)

(\*\*) Term: **14 Years**

(21) Appl. No.: **29/379,473**

(22) Filed: **Nov. 19, 2010**

(30) **Foreign Application Priority Data**

May 20, 2010 (JP) ..... 2010-012410

(51) **LOC (9) Cl.** ..... **14-02**

(52) **U.S. Cl.** ..... **D14/422**

(58) **Field of Classification Search** ..... D14/420-425, D14/462-470, 389, 125, 399; D18/50, 54, D18/55, 53, 36-39, 14, 18-21, 49, 52, 51, D18/54.4; 358/400, 401, 448, 474, 486-488, 358/496; 382/312, 317, 321, 315; 400/613, 400/613.1-613.4, 690.1-690.4, 691-694, 400/88, 175; 399/107, 379, 380, 211, 212; 235/462.11, 462.41, 472.01, 470, 462.43; 361/680, 681

See application file for complete search history.

(56) **References Cited**

**U.S. PATENT DOCUMENTS**

D210,218	S	*	2/1968	Williams	.....	D14/385
D215,568	S	*	10/1969	Kellogg	.....	D15/146
D263,831	S	*	4/1982	Barbera et al.	.....	D14/462
D264,846	S	*	6/1982	Taguchi	.....	D14/462
D268,111	S	*	3/1983	Clemens	.....	D18/54
D277,133	S	*	1/1985	Houlihan	.....	D24/165
D279,783	S	*	7/1985	Jordan et al.	.....	D18/55
4,561,925	A	*	12/1985	Skerjanec et al.	.....	53/374.8
D285,965	S	*	9/1986	Nishibori et al.	.....	D24/165

D286,437	S	*	10/1986	Nishibori	.....	D24/165
D292,976	S	*	12/1987	Kando	.....	D14/466
D295,186	S	*	4/1988	Hadtke	.....	D18/54
D297,051	S	*	8/1988	Kawamura	.....	D24/165
4,806,036	A	*	2/1989	Ward et al.	.....	400/691
D304,722	S	*	11/1989	Hashimoto et al.	.....	D14/467
D304,724	S	*	11/1989	Hashimoto et al.	.....	D14/467
D312,079	S	*	11/1990	Komatsu	.....	D14/469
4,976,559	A	*	12/1990	Inagaki	.....	400/691
D315,360	S	*	3/1991	Tokuda et al.	.....	D18/54
D315,361	S	*	3/1991	Kojima et al.	.....	D18/55
D315,898	S	*	4/1991	Hokura et al.	.....	D14/422
D318,066	S	*	7/1991	Moro	.....	D18/54
D324,395	S	*	3/1992	Dubson	.....	D18/54
D326,678	S	*	6/1992	Uchibori et al.	.....	D18/55
D331,774	S	*	12/1992	Saeki	.....	D18/55
D333,316	S	*	2/1993	Ishizawa	.....	D18/55
D337,578	S	*	7/1993	Nagele	.....	D14/469
D337,608	S	*	7/1993	Miyamoto	.....	D18/55
D340,740	S	*	10/1993	Kawashima	.....	D18/50
D343,636	S	*	1/1994	Horie et al.	.....	D18/55

(Continued)

*Primary Examiner* — Susan Moon Lee

(74) *Attorney, Agent, or Firm* — RatnerPrestia

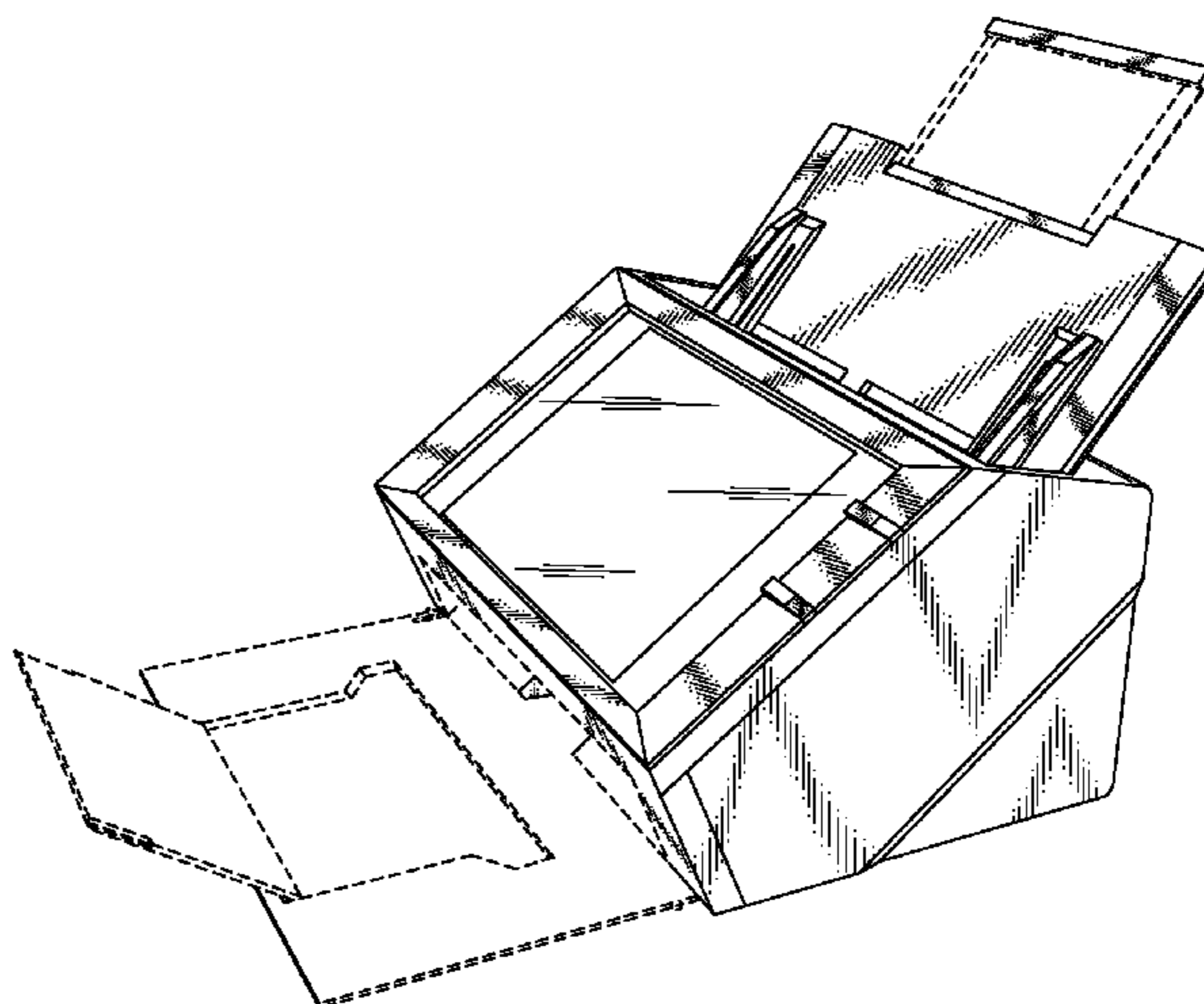
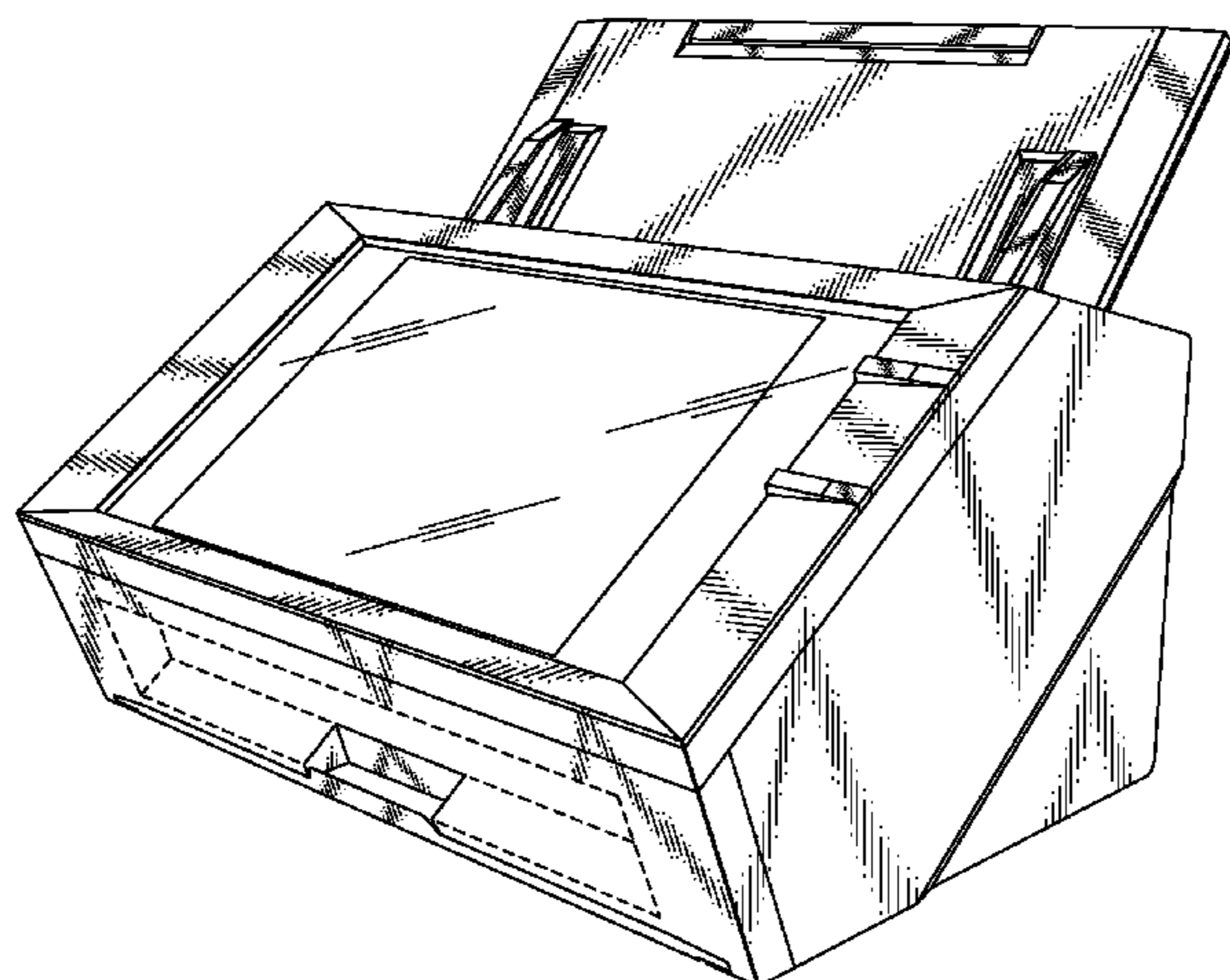
(57) **CLAIM**

The ornamental design for a scanner, as shown and described.

**DESCRIPTION**

FIG. 1 is a front perspective view of a scanner showing our new design;  
FIG. 2 is a front view thereof;  
FIG. 3 is a rear view thereof;  
FIG. 4 is a right side view thereof;  
FIG. 5 is a left side view thereof;  
FIG. 6 is a top plan view thereof;  
FIG. 7 is a bottom plan view thereof; and,  
FIG. 8 is another front perspective view thereof showing the position with the guides extending.  
The broken lines in the drawings illustrate unclaimed portions of the Scanner and form no part of the claimed design.

**1 Claim, 4 Drawing Sheets**



## U.S. PATENT DOCUMENTS

D344,513	S *	2/1994	Taniuchi et al.	.....	D14/144
D348,054	S *	6/1994	Minasian et al.	.....	D14/425
D350,075	S *	8/1994	Reeder	.....	D10/94
D350,977	S *	9/1994	Lewis et al.	.....	D18/50
D369,181	S *	4/1996	Kobayashi	.....	D18/55
D370,471	S *	6/1996	Au	.....	D14/422
D378,927	S *	4/1997	Kasahara et al.	.....	D18/50
D382,256	S *	8/1997	Lin	.....	D14/422
D389,178	S *	1/1998	Chow et al.	.....	D18/50
D390,258	S *	2/1998	Kawahara et al.	.....	D18/55
D399,524	S *	10/1998	Nakajima	.....	D18/50
D401,271	S *	11/1998	Nakajima	.....	D18/55
D401,965	S *	12/1998	Pangburn	.....	D18/55
D408,799	S *	4/1999	Daury	.....	D14/385
5,893,822	A *	4/1999	Deni et al.	.....	53/512
D409,584	S *	5/1999	Fetherolf	.....	D14/422
D414,472	S *	9/1999	Metzler	.....	D14/422
D414,508	S *	9/1999	Pangburn	.....	D18/55
D419,591	S *	1/2000	Pangburn	.....	D18/55
D419,973	S *	2/2000	Ueda	.....	D14/434
D420,663	S *	2/2000	Goldenberg et al.	..	D14/138 AB
D422,570	S *	4/2000	Kobayashi	.....	D14/509
D424,099	S *	5/2000	Pangburn	.....	D18/50
D430,163	S *	8/2000	Gatto et al.	.....	D14/422
D432,565	S *	10/2000	Gassett et al.	.....	D18/55
D433,442	S *	11/2000	Clark, III	.....	D18/55
D435,266	S *	12/2000	Sekine et al.	.....	D18/55
D437,414	S *	2/2001	Kern et al.	.....	D24/165
D438,894	S *	3/2001	Bishop et al.	.....	D18/55
D438,895	S *	3/2001	Pangburn	.....	D18/55
D439,607	S *	3/2001	Inoue et al.	.....	D18/54
6,231,043	B1 *	5/2001	James et al.	.....	271/209
D443,878	S *	6/2001	Sakata et al.	.....	D14/422
D444,813	S *	7/2001	Quijano	.....	D18/55
D445,451	S *	7/2001	Clark et al.	.....	D18/55
D446,306	S *	8/2001	Ochi et al.	.....	D24/186
D454,583	S *	3/2002	Whitby et al.	.....	D18/50
D463,485	S *	9/2002	Yoshida et al.	.....	D18/50
D466,917	S *	12/2002	Liu	.....	D18/36
D466,920	S *	12/2002	Kawahara et al.	.....	D18/50
6,540,219	B1 *	4/2003	Naruse et al.	.....	271/37
D474,806	S *	5/2003	Yamano et al.	.....	D18/55
D475,052	S *	5/2003	Chujou et al.	.....	D14/422
6,568,674	B2 *	5/2003	Matsuda	.....	271/274
D478,594	S *	8/2003	Ichiyoshi et al.	.....	D14/422
D478,618	S *	8/2003	Obara	.....	D18/54
D483,059	S *	12/2003	Goh et al.	.....	D18/50
6,707,584	B1 *	3/2004	Morita	.....	358/498
D497,940	S *	11/2004	Hwang et al.	.....	D18/50
D498,786	S *	11/2004	Suzuki et al.	.....	D18/55
D499,759	S *	12/2004	Kobayashi et al.	.....	D18/55
D518,826	S *	4/2006	Chujou et al.	.....	D14/422
7,029,113	B2 *	4/2006	Hwang	.....	347/108
D523,469	S *	6/2006	Hwang et al.	.....	D18/50
7,134,259	B2 *	11/2006	Huang	.....	53/512
D533,897	S *	12/2006	Workman et al.	.....	D18/34.3
D536,370	S *	2/2007	Smolenski et al.	.....	D18/50
D542,292	S *	5/2007	Kitamura et al.	.....	D14/422
D549,705	S *	8/2007	Sugitani et al.	.....	D14/422
7,265,869	B2 *	9/2007	Silverbrook et al.	.....	358/1.3
7,290,952	B2 *	11/2007	Kagami	.....	400/693
D563,413	S *	3/2008	Kuroda et al.	.....	D14/422
D571,370	S *	6/2008	Sugitani et al.	.....	D14/422
D571,807	S *	6/2008	Ogawa	.....	D14/422
D573,596	S *	7/2008	Laidlaw et al.	.....	D14/422
D574,829	S *	8/2008	Shirai et al.	.....	D14/422
D579,016	S *	10/2008	Romanoff et al.	.....	D14/422
7,431,447	B2 *	10/2008	Jensen	.....	347/108
D579,972	S *	11/2008	Meda et al.	.....	D18/50
D583,060	S *	12/2008	Kitamura et al.	.....	D24/165
D583,819	S *	12/2008	Romanoff et al.	.....	D14/422
D601,259	S *	9/2009	Guthrie et al.	.....	D24/169
D610,146	S *	2/2010	Kuroda et al.	.....	D14/422
D610,147	S *	2/2010	Kuroda et al.	.....	D14/422
D610,148	S *	2/2010	Kuroda et al.	.....	D14/422
D610,149	S *	2/2010	Kuroda et al.	.....	D14/422
D616,889	S *	6/2010	Kuroda et al.	.....	D14/422
D631,050	S *	1/2011	Iiliffe-Moon et al.	.....	D14/422
D632,295	S *	2/2011	Kuroda	.....	D14/422
2003/0030712	A1 *	2/2003	Kawaguchi et al.	.....	347/104
2003/0063337	A1 *	4/2003	Shirai et al.	.....	358/498
2003/0110741	A1 *	6/2003	Wang	.....	53/512
2004/0207144	A1 *	10/2004	Kanome et al.	.....	271/9.01
2005/0050856	A1 *	3/2005	Baptista	.....	53/434

\* cited by examiner

Fig.1

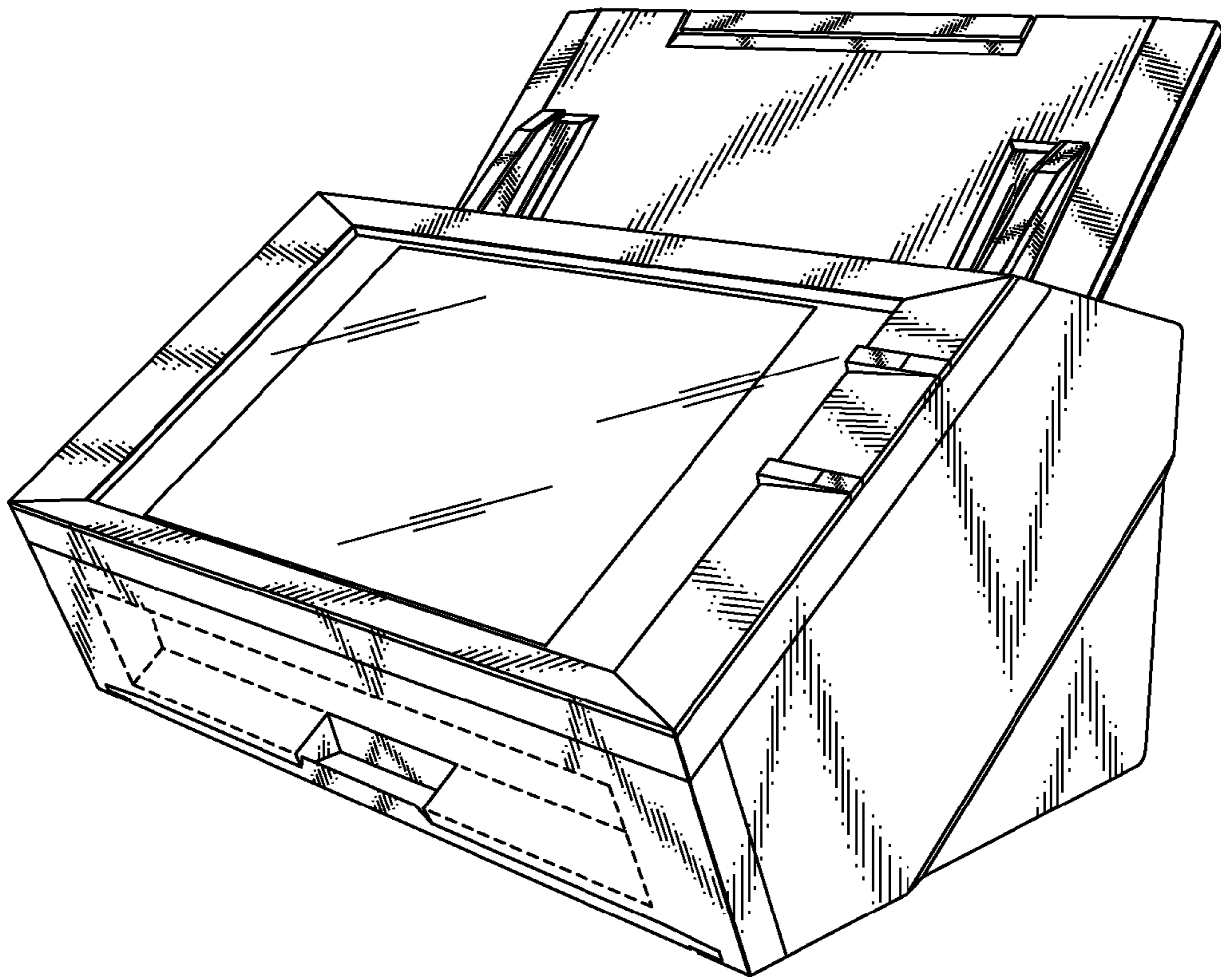


Fig.2

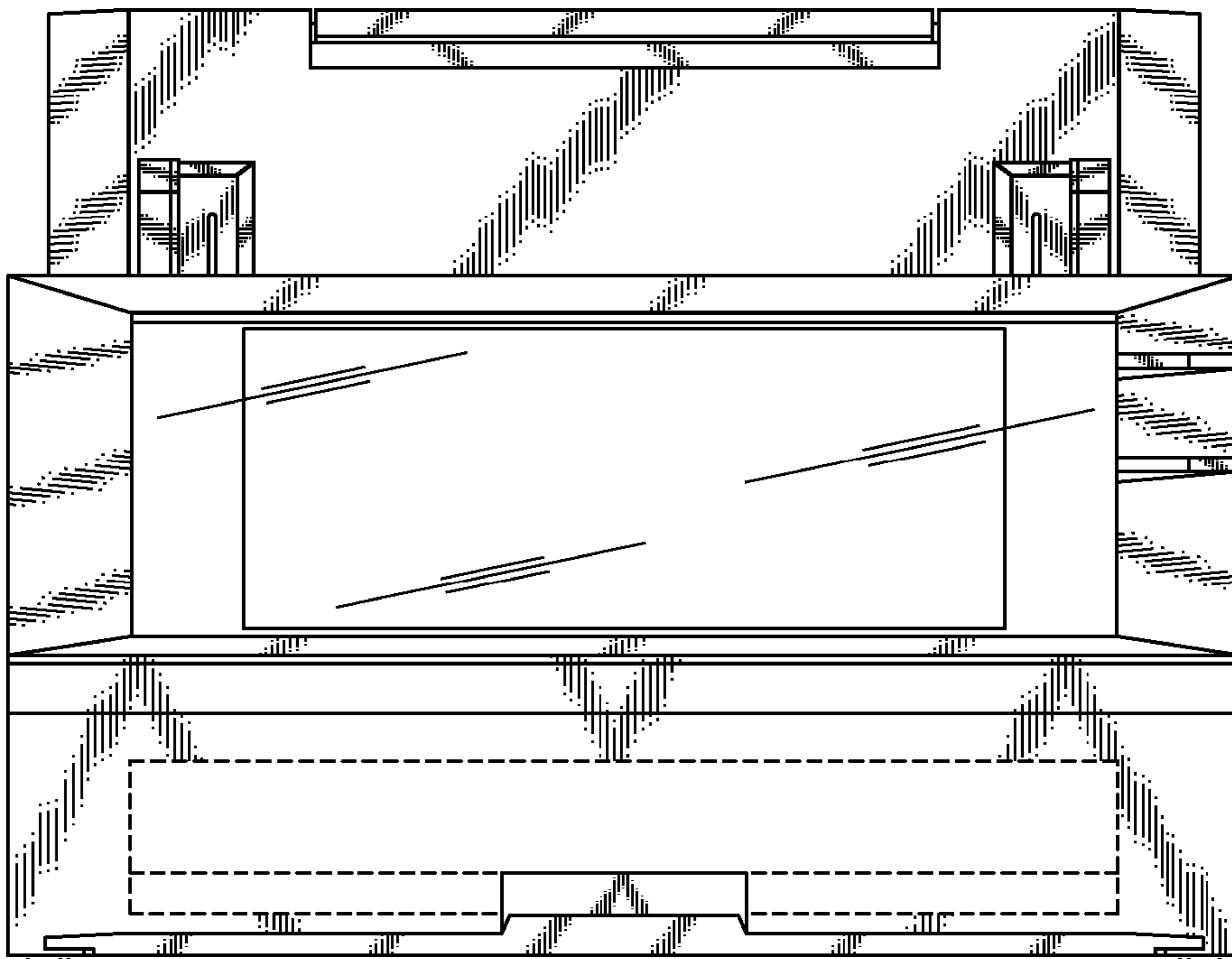


Fig.3

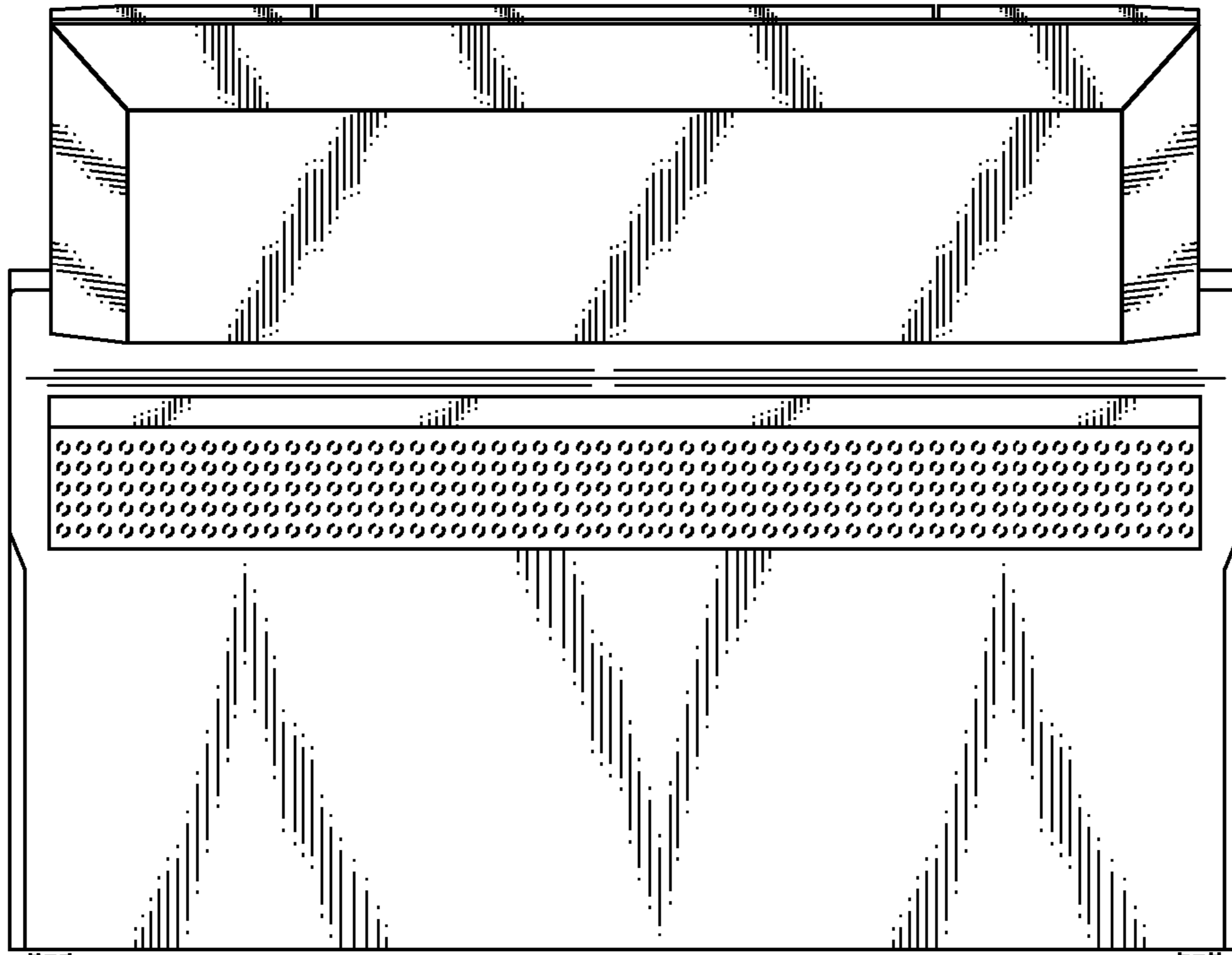


Fig.4

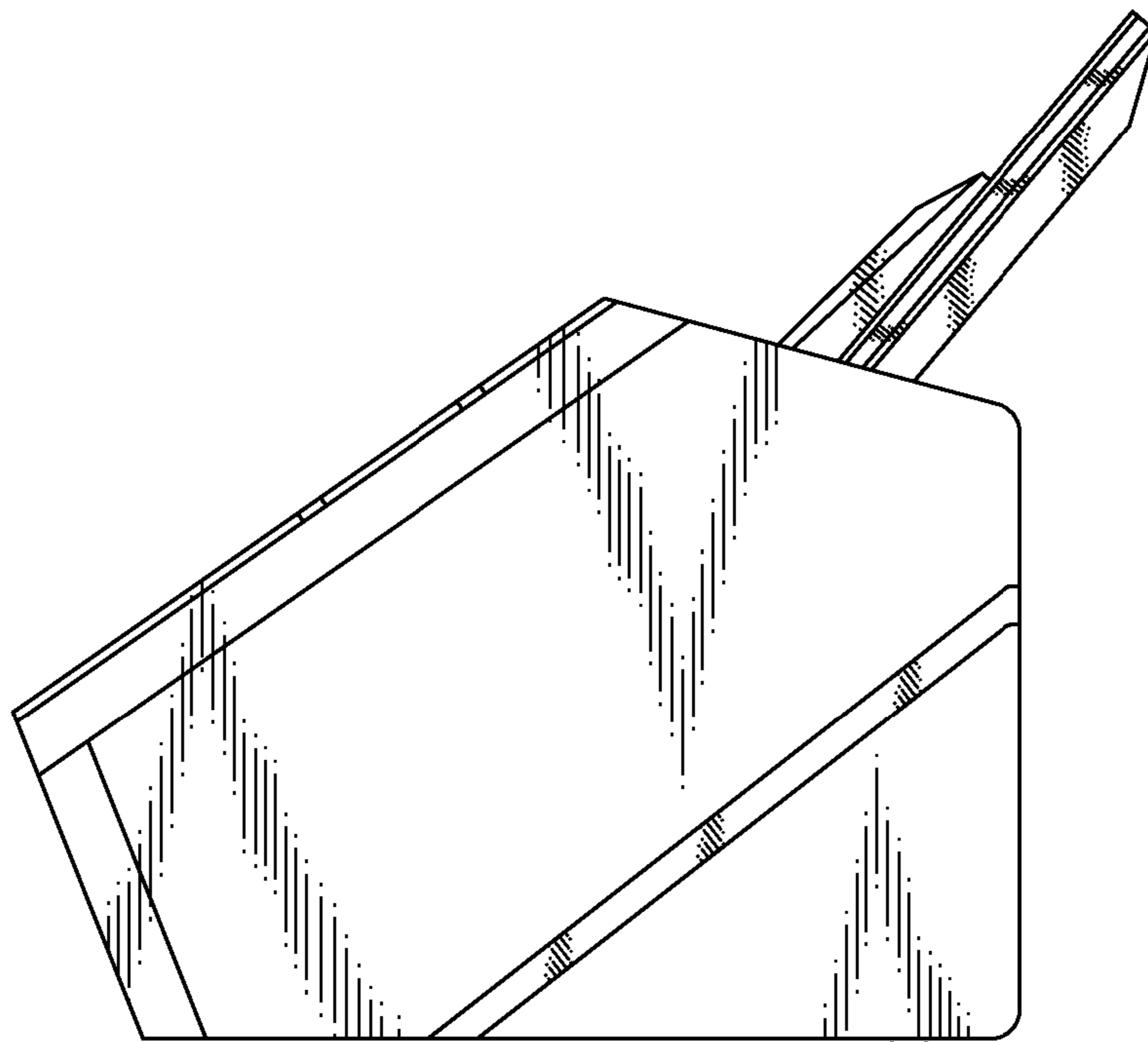


Fig.5

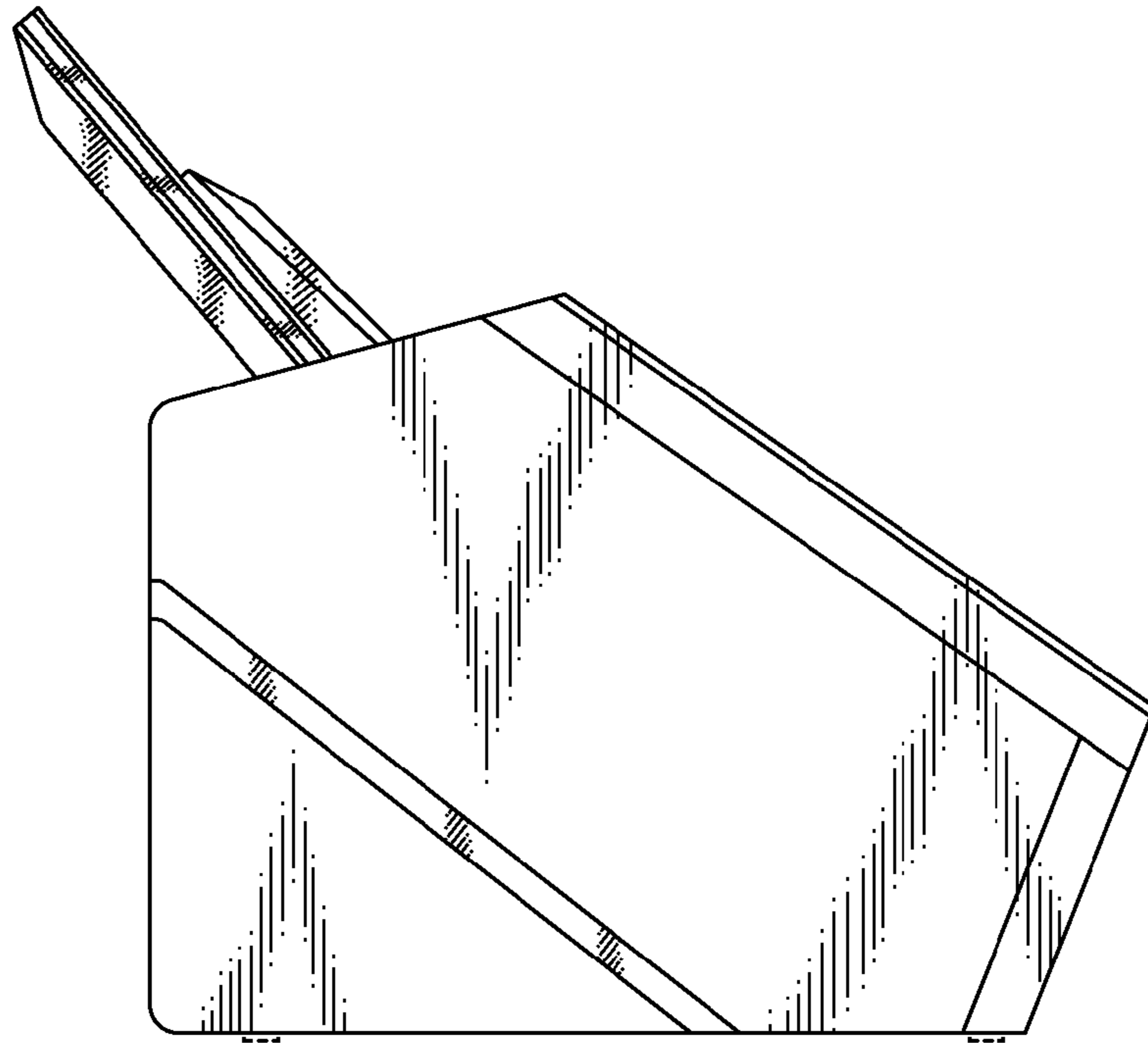


Fig.6

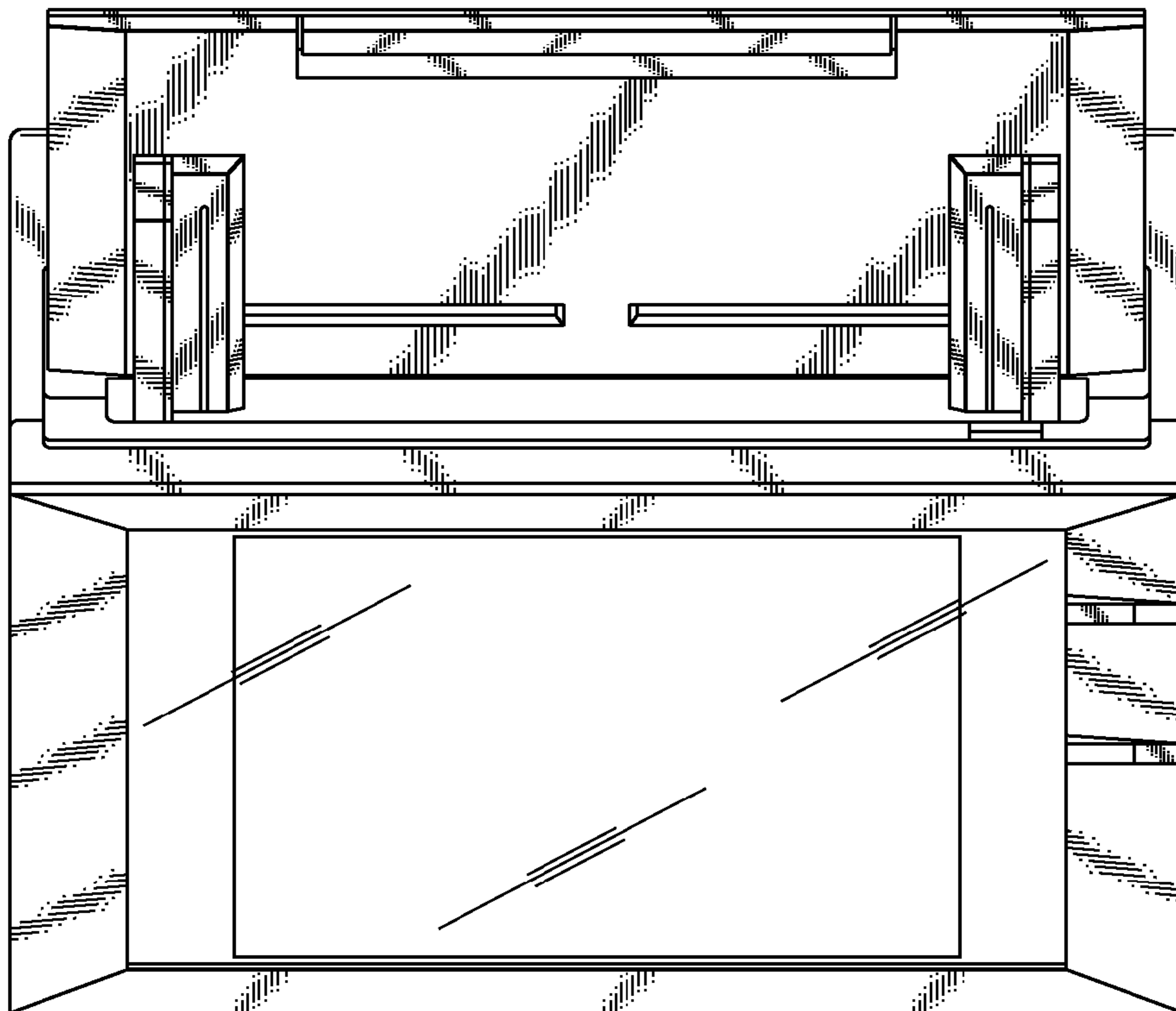


Fig.7

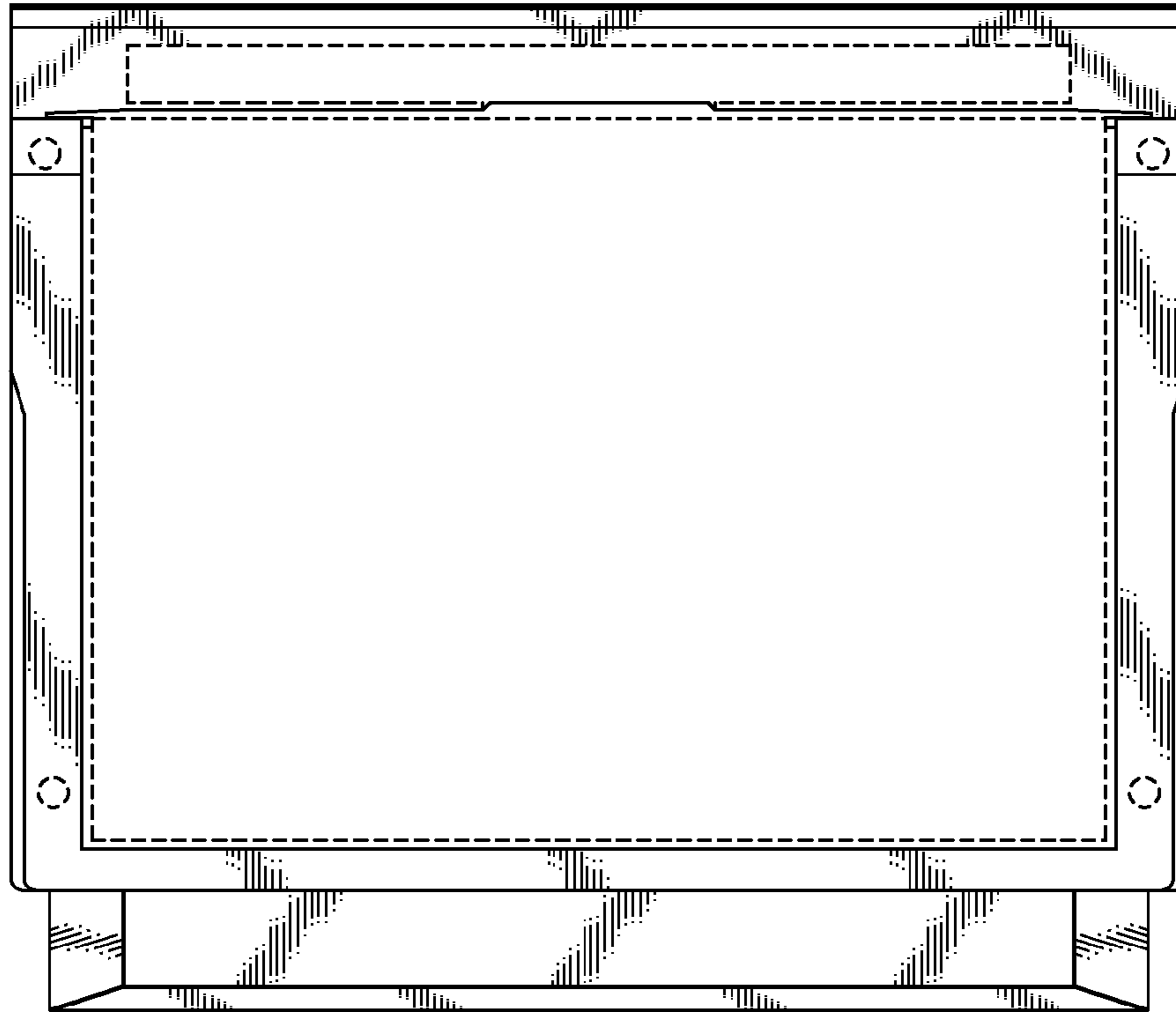


Fig.8

