



US00D642177S

(12) **United States Design Patent**
Shi et al.

(10) **Patent No.:** **US D642,177 S**

(45) **Date of Patent:** **** Jul. 26, 2011**

(54) **STYLUS HAVING FONT MAGNIFIER**

(75) Inventors: **Zheng Shi**, Shenzhen (CN); **Guo-Wu Jiang**, Shenzhen (CN)

(73) Assignee: **FIH (Hong Kong) Limited**, Kowloon (HK)

(**) Term: **14 Years**

(21) Appl. No.: **29/383,734**

(22) Filed: **Jan. 21, 2011**

(51) **LOC (9) Cl.** **14-02**

(52) **U.S. Cl.** **D14/411**

(58) **Field of Classification Search** D8/61;
D14/411; D19/35, 36, 41-51, 54-58; 401/55,
401/99, 100, 104-107, 196, 197, 202, 208,
401/209, 213, 192, 195, 243; 708/107; 345/179,
345/173; 178/19.01; 700/94

See application file for complete search history.

(56) **References Cited**

U.S. PATENT DOCUMENTS

D212,981 S *	12/1968	Laybourne	D19/41
D246,904 S *	1/1978	MacIntosh	D19/41
D253,416 S *	11/1979	MacIntosh	D19/41
D440,570 S *	4/2001	Schneider	D14/411
6,626,598 B2 *	9/2003	Schneider	401/8
D544,484 S *	6/2007	Hussaini et al.	D14/411
D569,511 S *	5/2008	Poll et al.	D24/135
D570,915 S *	6/2008	De Beer	D19/57

D576,625 S *	9/2008	Trigg et al.	D14/411
D597,547 S *	8/2009	Smith	D14/411
D616,447 S *	5/2010	Smith	D14/411
D618,243 S *	6/2010	Chamblin	D14/411
2002/0101401 A1 *	8/2002	Movahed	345/156

* cited by examiner

Primary Examiner — Austin Murphy

(74) *Attorney, Agent, or Firm* — Steven M. Reiss

(57) **CLAIM**

The ornamental design for a stylus having font magnifier, as shown and described.

DESCRIPTION

FIG. 1 is a perspective view of a stylus having font magnifier showing my new design;

FIG. 2 is a front elevational view of the stylus having font magnifier;

FIG. 3 is a rear elevational view of the stylus having font magnifier;

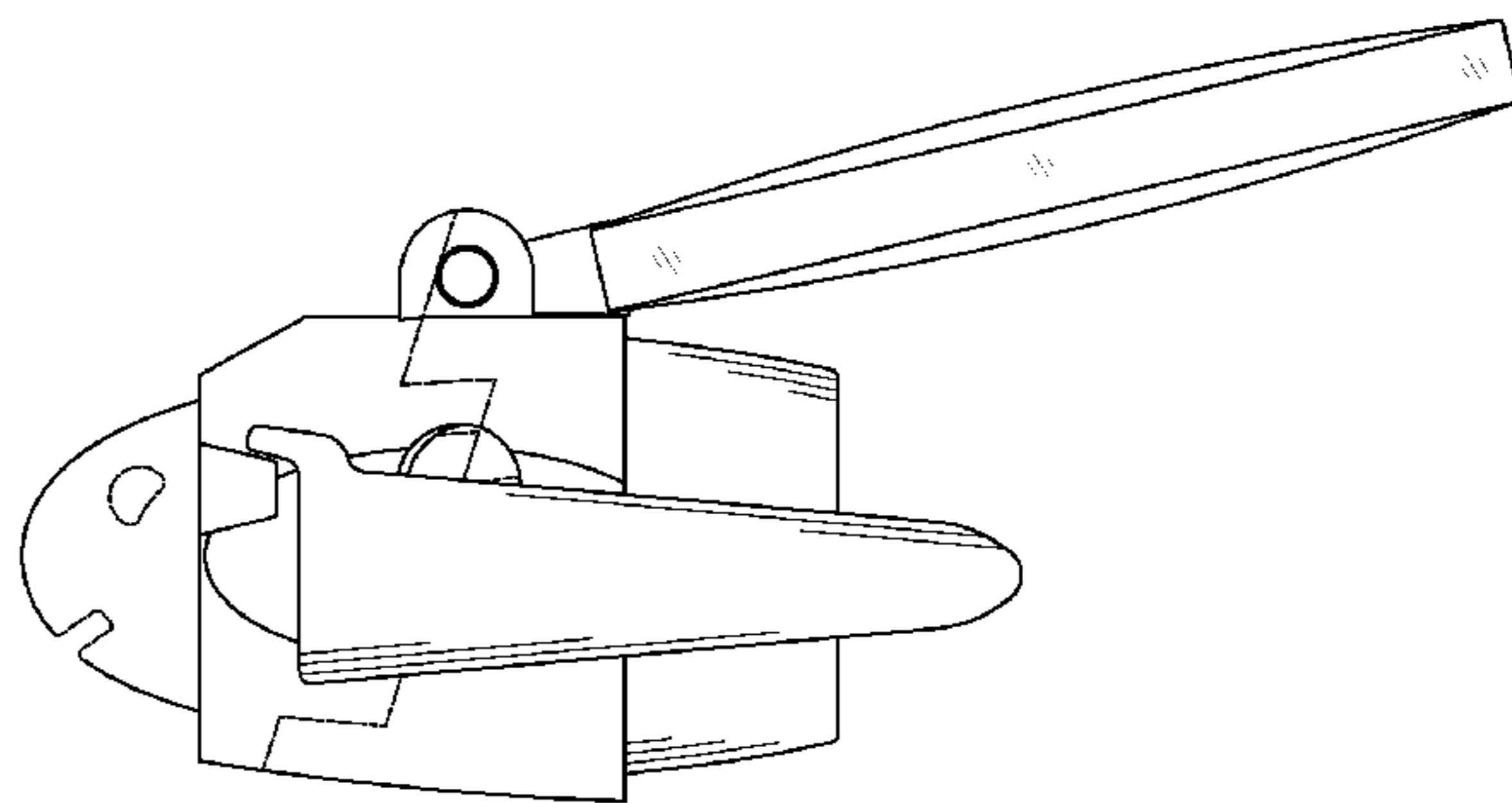
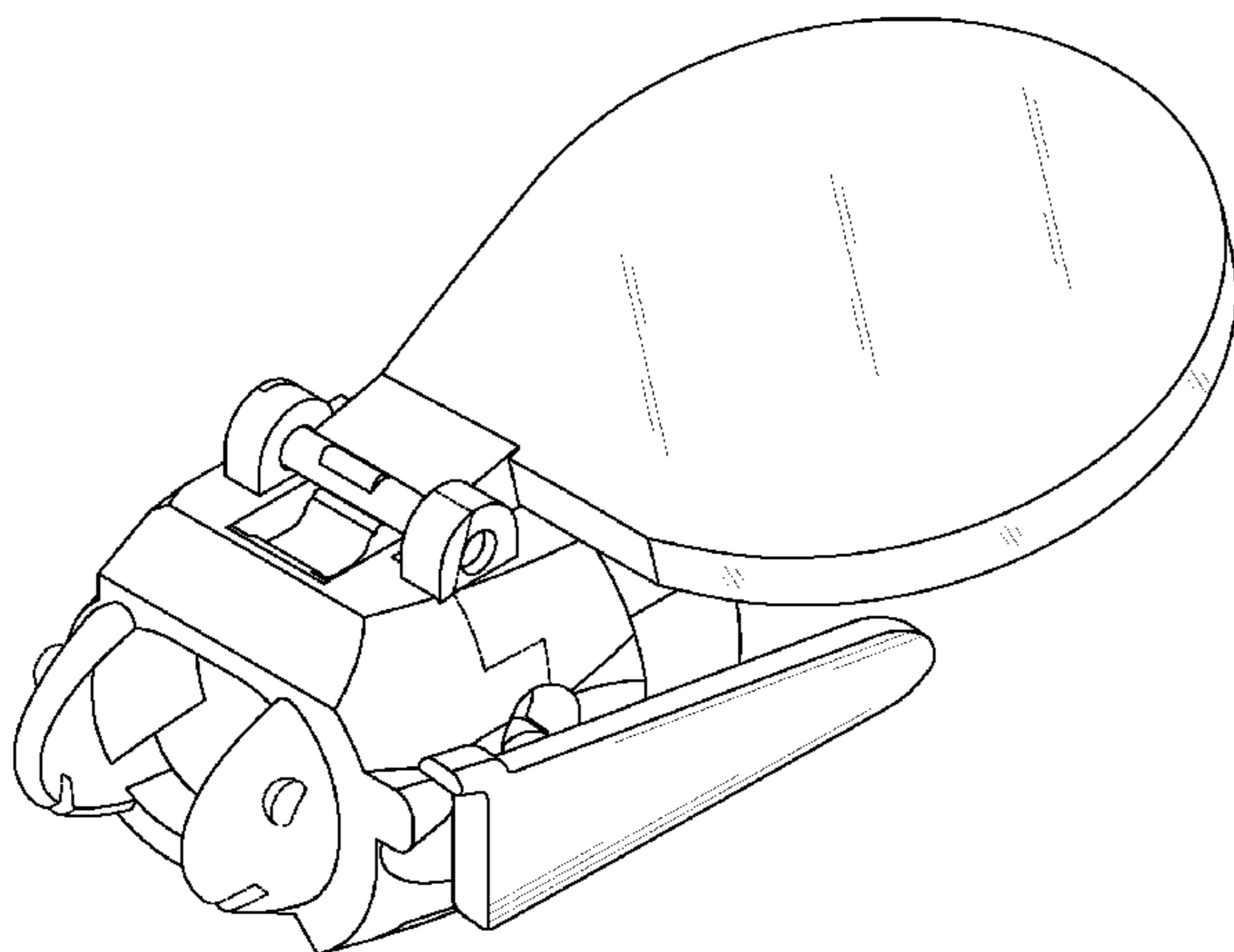
FIG. 4 is a left side elevational view of the stylus having font magnifier;

FIG. 5 is a top plan view of the stylus having font magnifier; and,

FIG. 6 is a bottom plan view of the stylus having font magnifier.

The broken lines shown in the drawings represent unclaimed portions of the stylus having font magnifier and form no part of the claimed design.

1 Claim, 6 Drawing Sheets



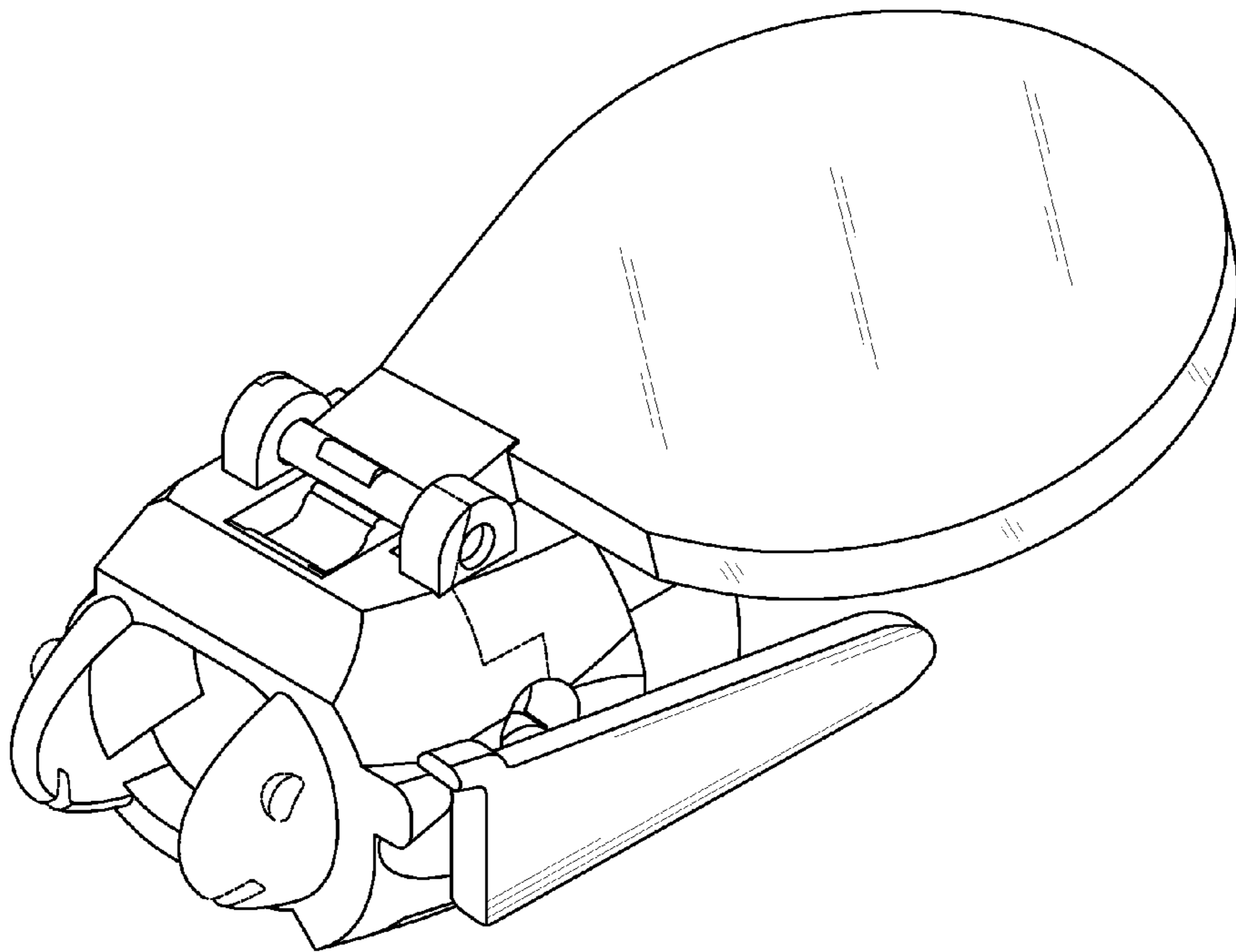


FIG. 1

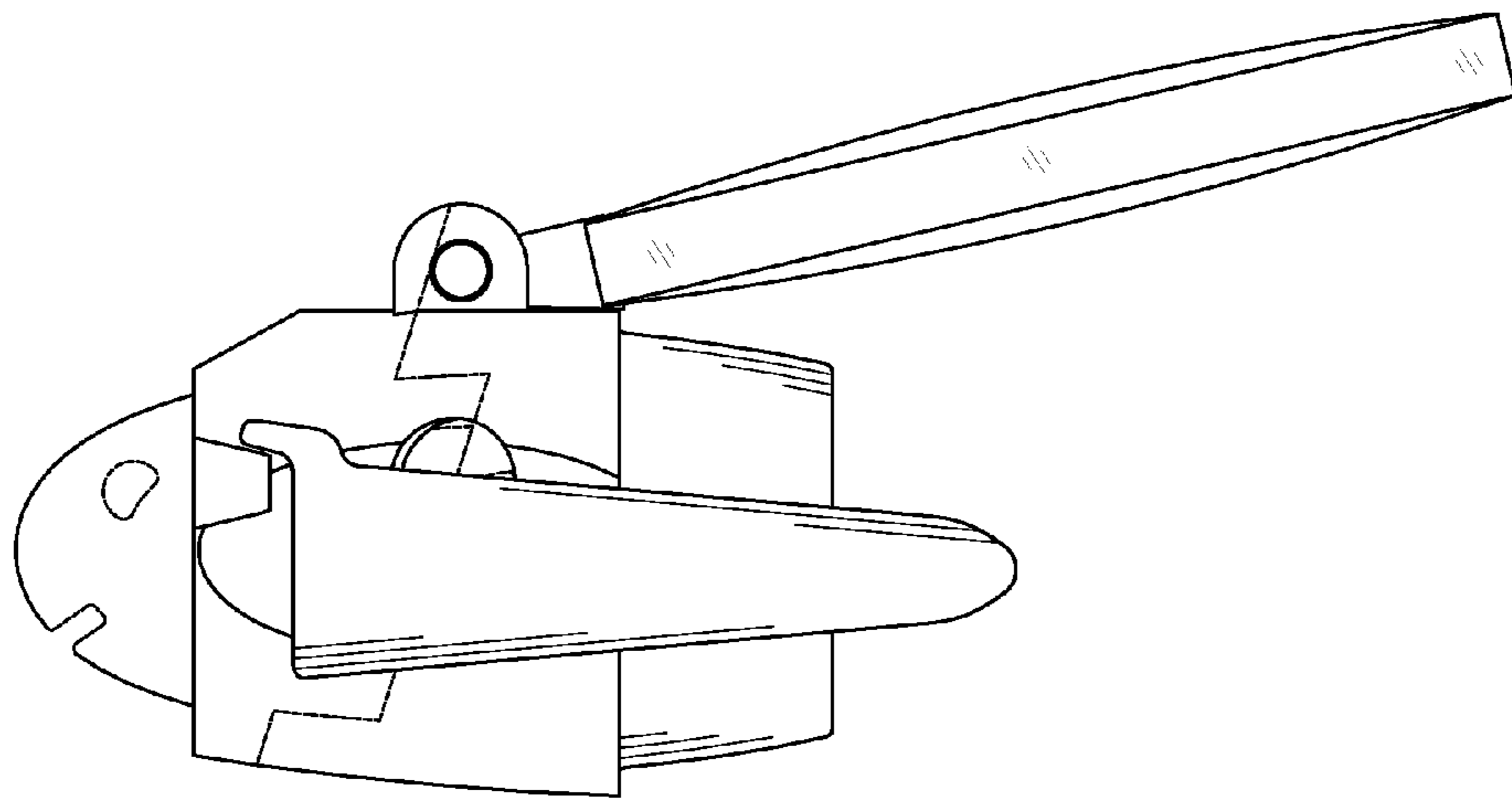


FIG. 2

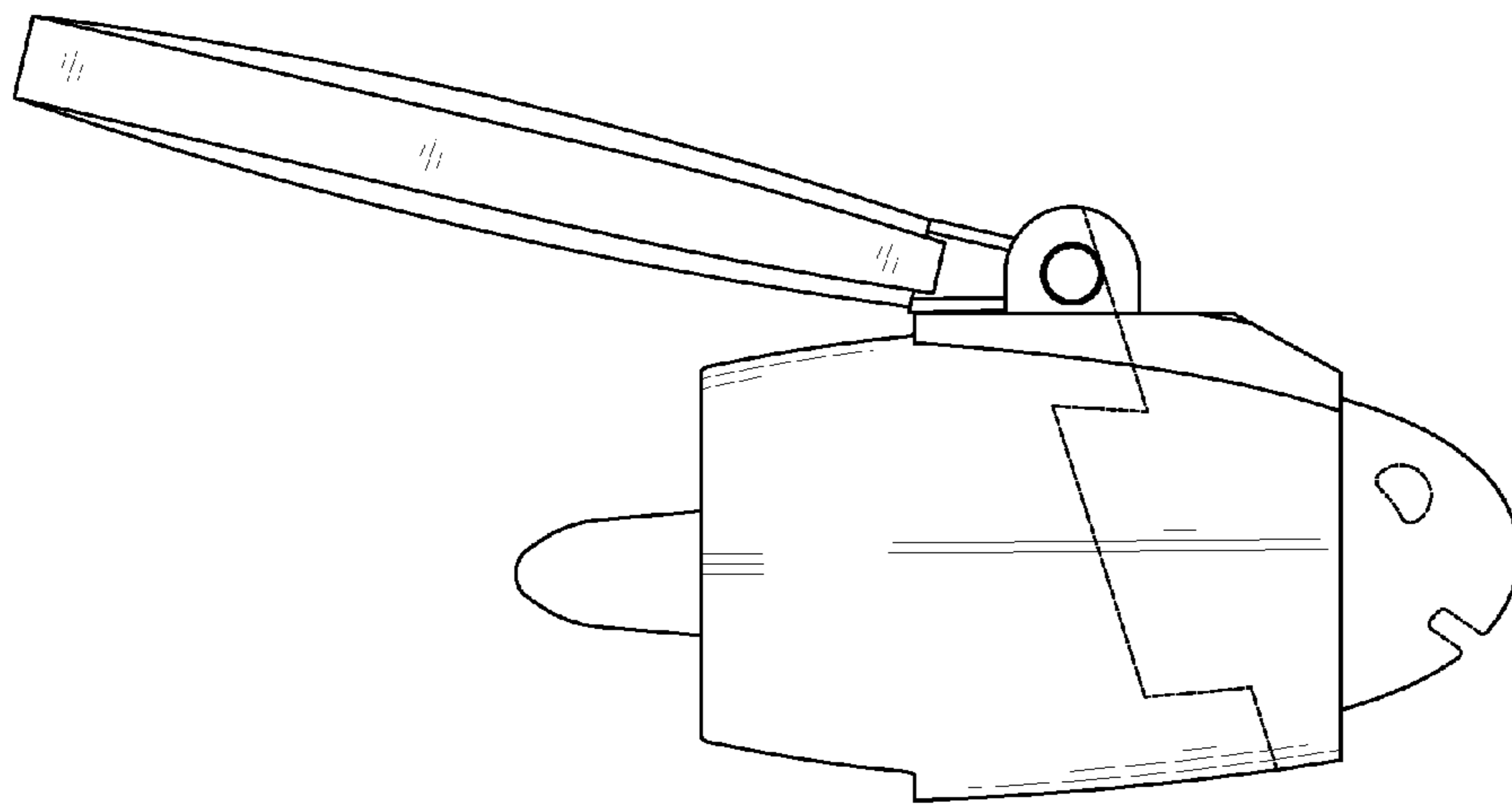


FIG. 3

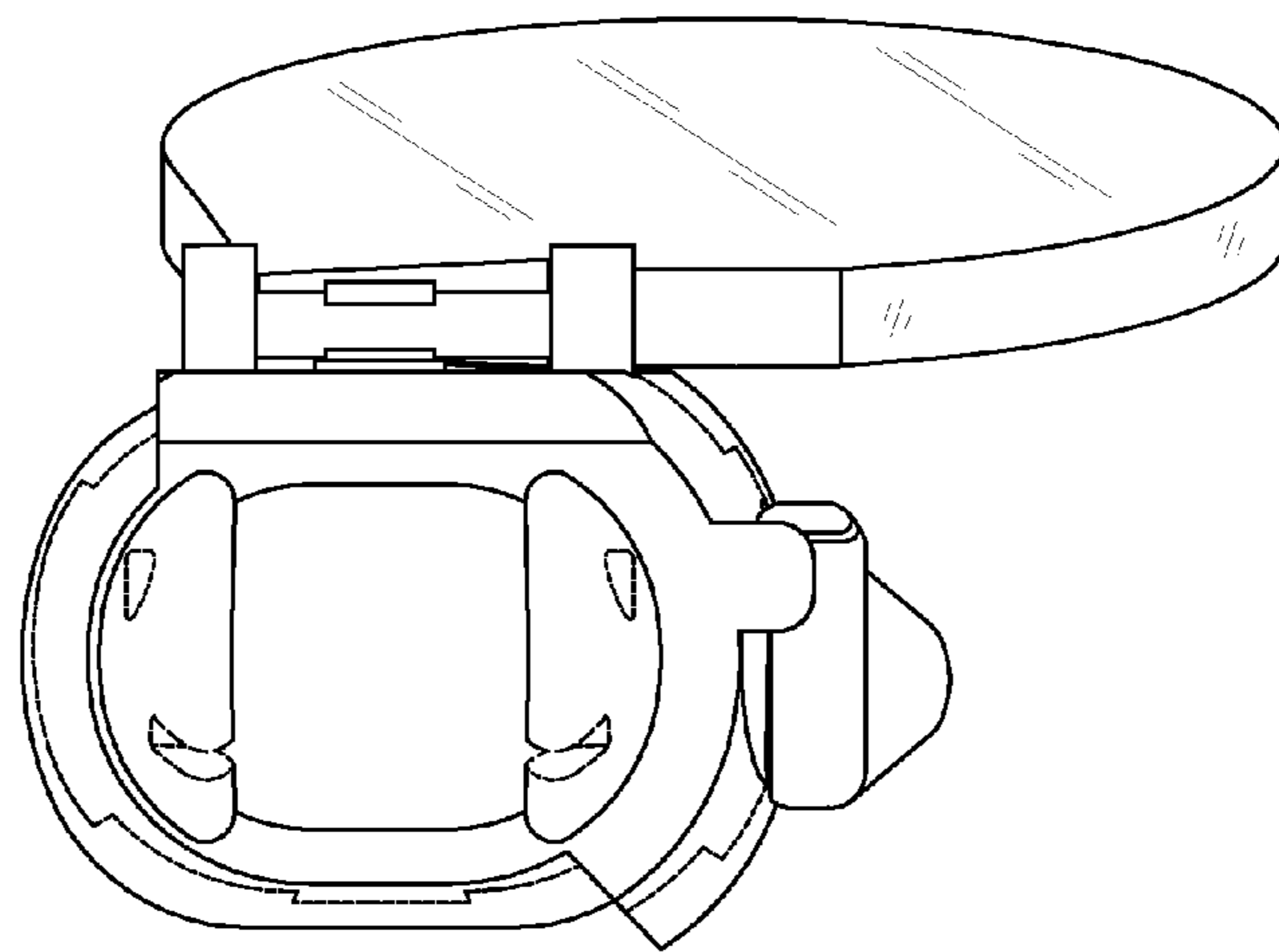


FIG. 4

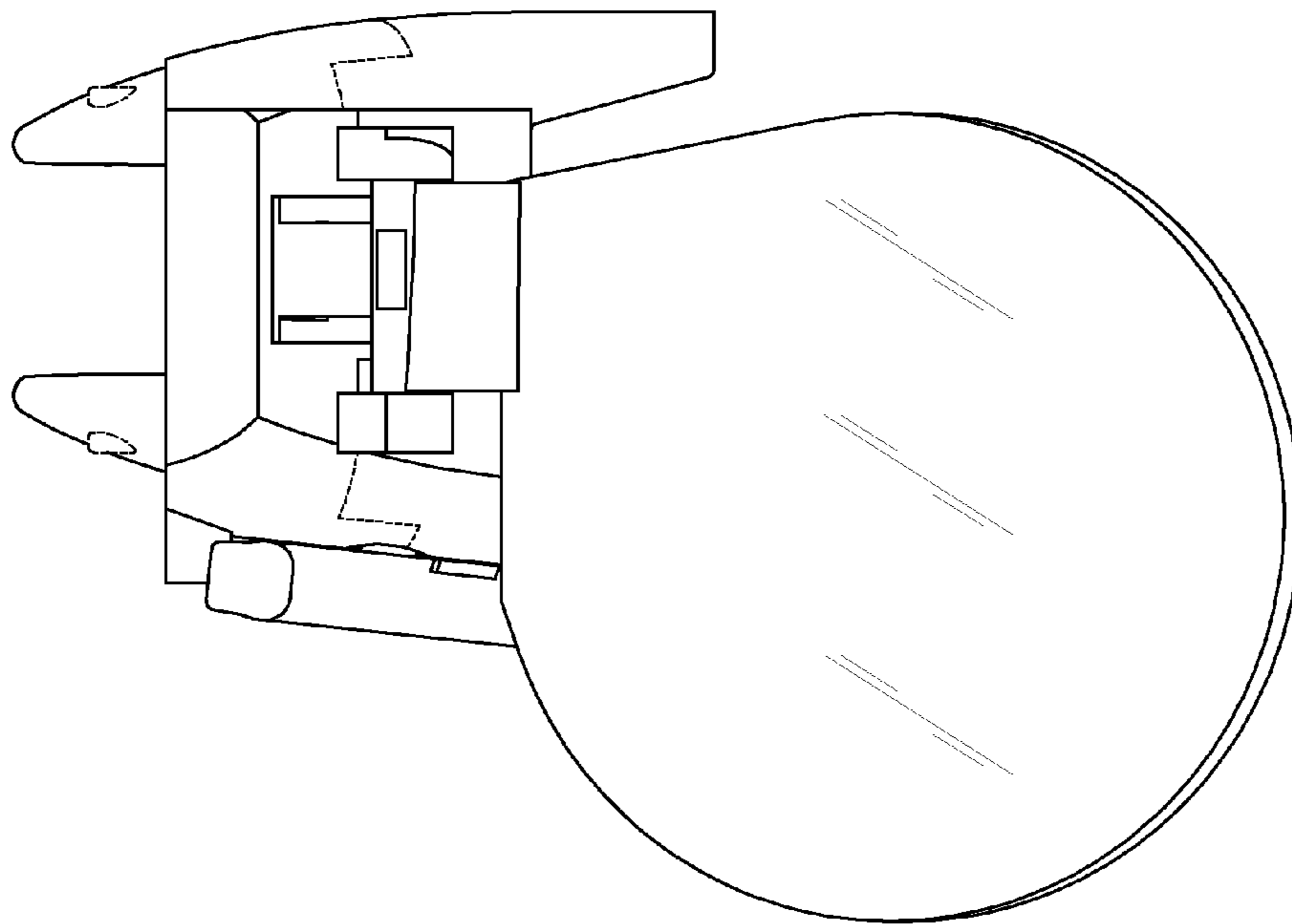


FIG. 5

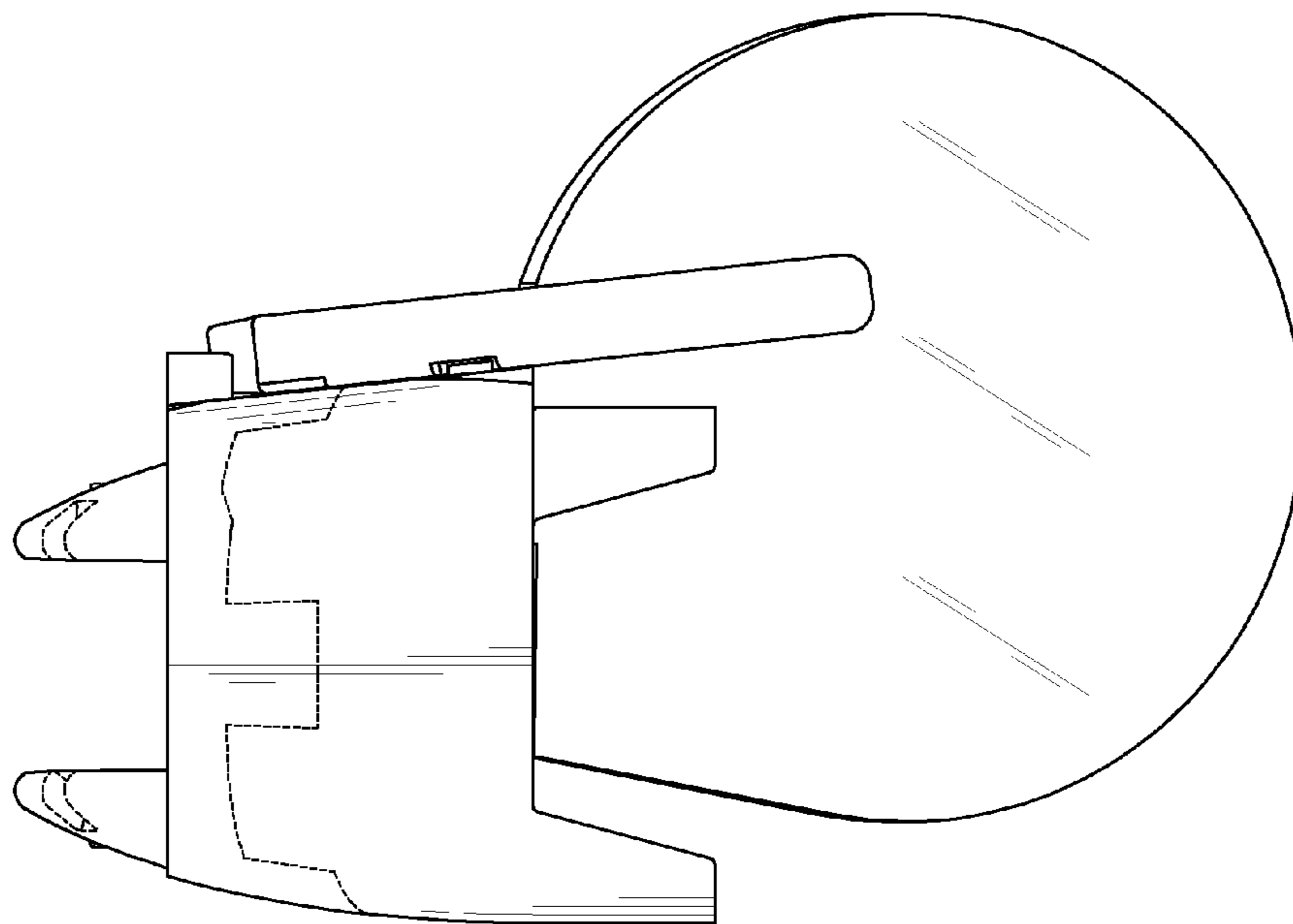


FIG. 6