



US00D642176S

(12) **United States Design Patent**  
**Shi et al.**

(10) **Patent No.:** **US D642,176 S**  
(45) **Date of Patent:** **\*\* Jul. 26, 2011**

(54) **STYLUS HAVING FONT MAGNIFIER**  
(75) Inventors: **Zheng Shi**, Shenzhen (CN); **Guo-Wu Jiang**, Shenzhen (CN)  
(73) Assignee: **FIH (Hong Kong) Limited**, Kowloon (HK)  
(\*\*) Term: **14 Years**  
(21) Appl. No.: **29/383,733**  
(22) Filed: **Jan. 21, 2011**  
(51) **LOC (9) Cl.** ..... **14-02**  
(52) **U.S. Cl.** ..... **D14/411**  
(58) **Field of Classification Search** ..... D8/61; D14/411; D19/35, 36, 41-51, 54-58; 401/55, 401/99, 100, 104-107, 196, 197, 202, 208, 401/209, 213, 192, 195, 243; 708/107; 345/179, 345/173; 178/19.01; 700/94  
See application file for complete search history.

D576,625 S \* 9/2008 Trigg et al. .... D14/411  
D597,547 S \* 8/2009 Smith ..... D14/411  
D616,447 S \* 5/2010 Smith ..... D14/411  
D618,243 S \* 6/2010 Chamblin ..... D14/411  
2002/0101401 A1\* 8/2002 Movahed ..... 345/156

\* cited by examiner

*Primary Examiner* — Austin Murphy

(74) *Attorney, Agent, or Firm* — Steven M. Reiss

(57) **CLAIM**

The ornamental design for a stylus having font magnifier, as shown and described.

**DESCRIPTION**

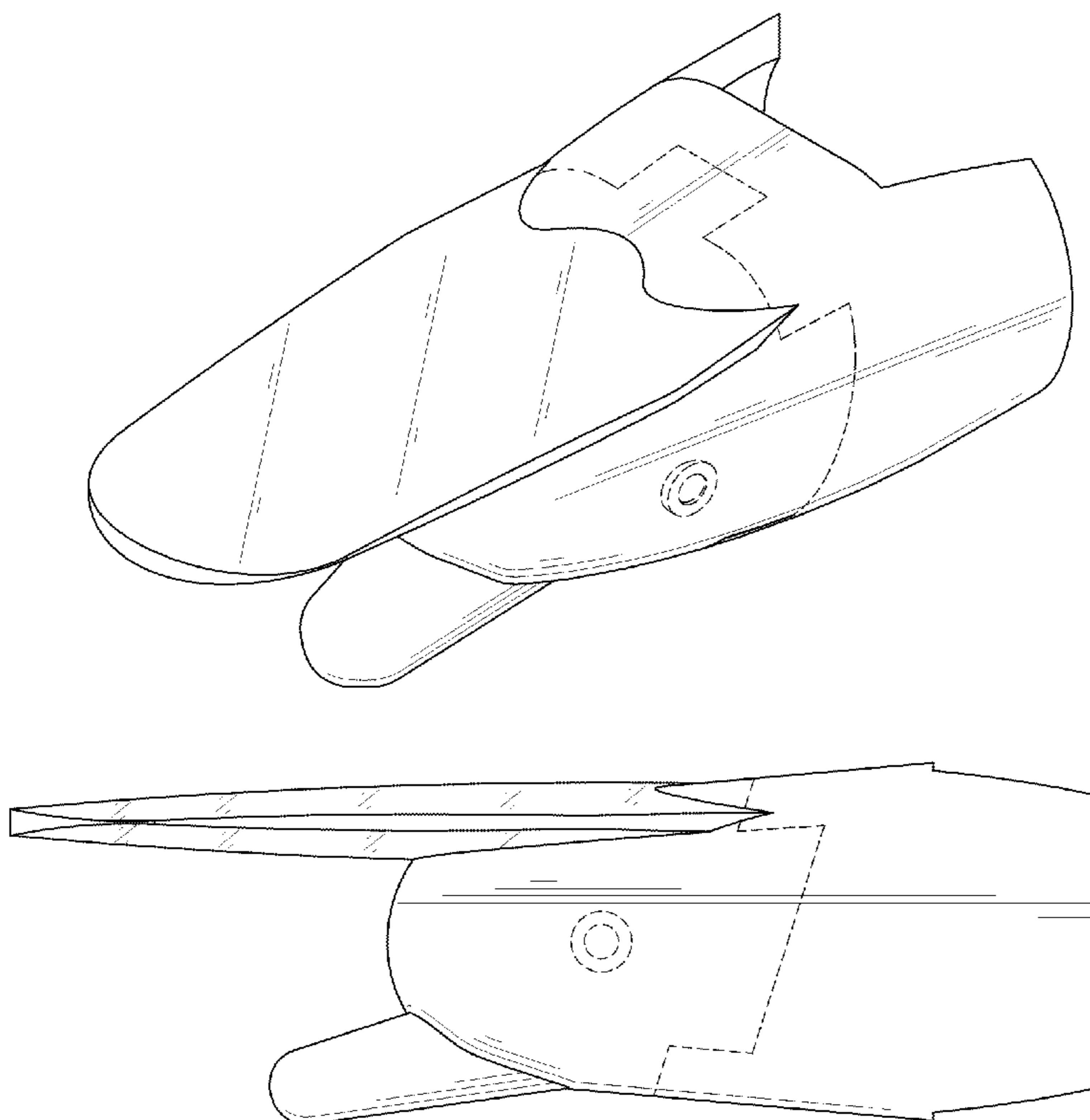
FIG. 1 is a perspective view of a stylus having font magnifier showing my new design;  
FIG. 2 is a front elevational view of the stylus having font magnifier;  
FIG. 3 is a rear elevational view of the stylus having font magnifier;  
FIG. 4 is a left side elevational view of the stylus having font magnifier;  
FIG. 5 is a top plan view of the stylus having font magnifier; and,  
FIG. 6 is a bottom plan view of the stylus having font magnifier.  
The broken lines shown in the drawings represent unclaimed portions of the stylus having font magnifier and form no part of the claimed design.

(56) **References Cited**

U.S. PATENT DOCUMENTS

D212,981 S \* 12/1968 Laybourne ..... D19/41  
D246,904 S \* 1/1978 MacIntosh ..... D19/41  
D253,416 S \* 11/1979 MacIntosh ..... D19/41  
D440,570 S \* 4/2001 Schneider ..... D14/411  
6,626,598 B2 \* 9/2003 Schneider ..... 401/8  
D544,484 S \* 6/2007 Hussaini et al. .... D14/411  
D569,511 S \* 5/2008 Poll et al. .... D24/135  
D570,915 S \* 6/2008 De Beer ..... D19/57

**1 Claim, 6 Drawing Sheets**



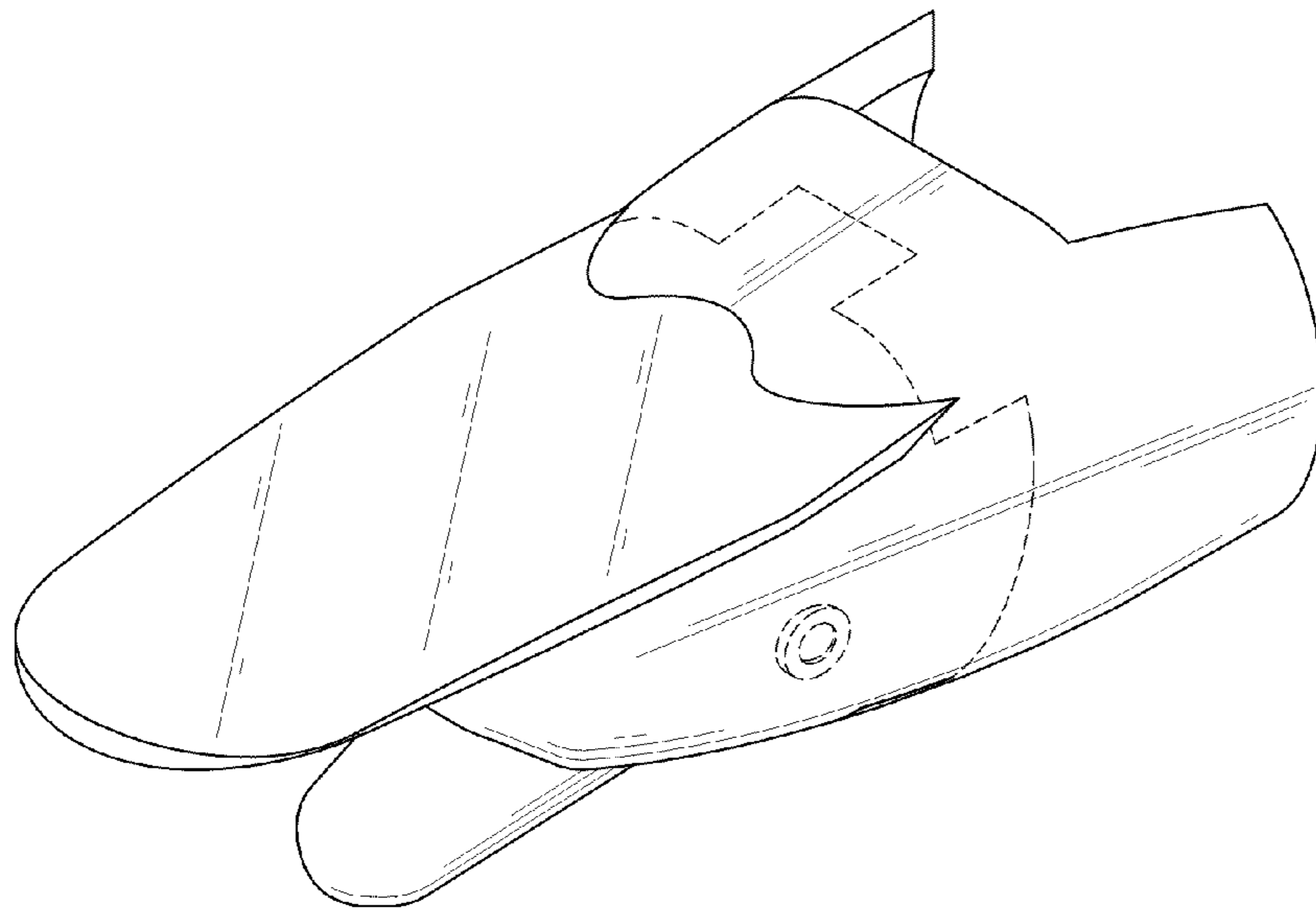


FIG. 1

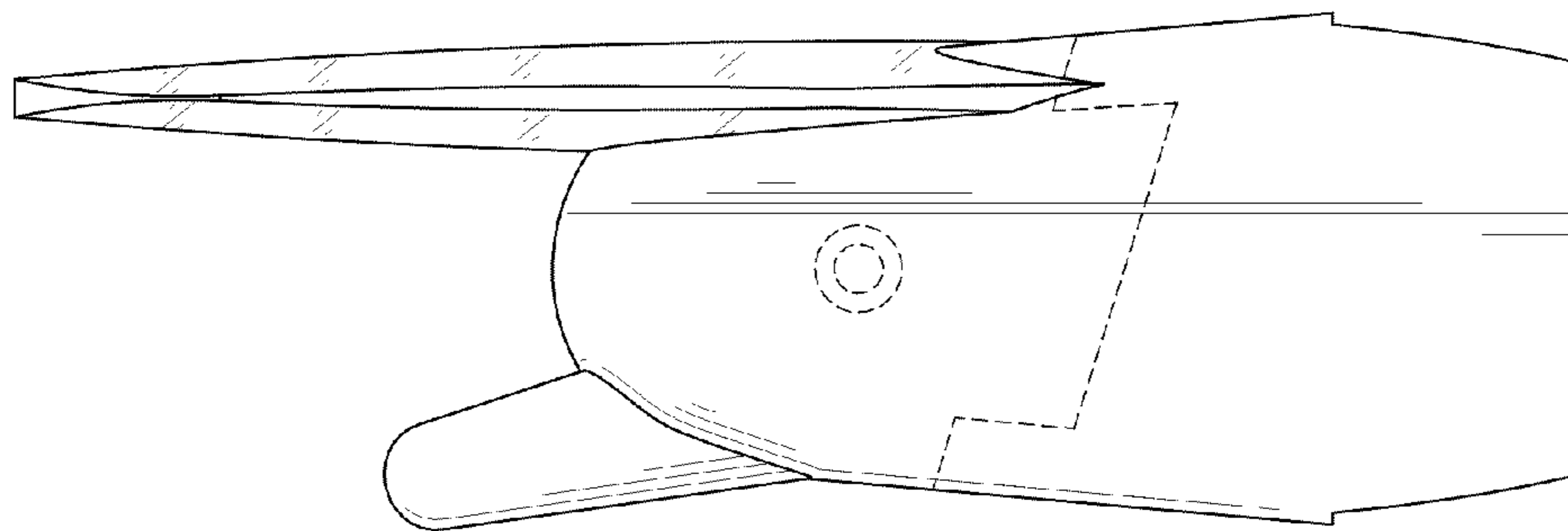


FIG. 2

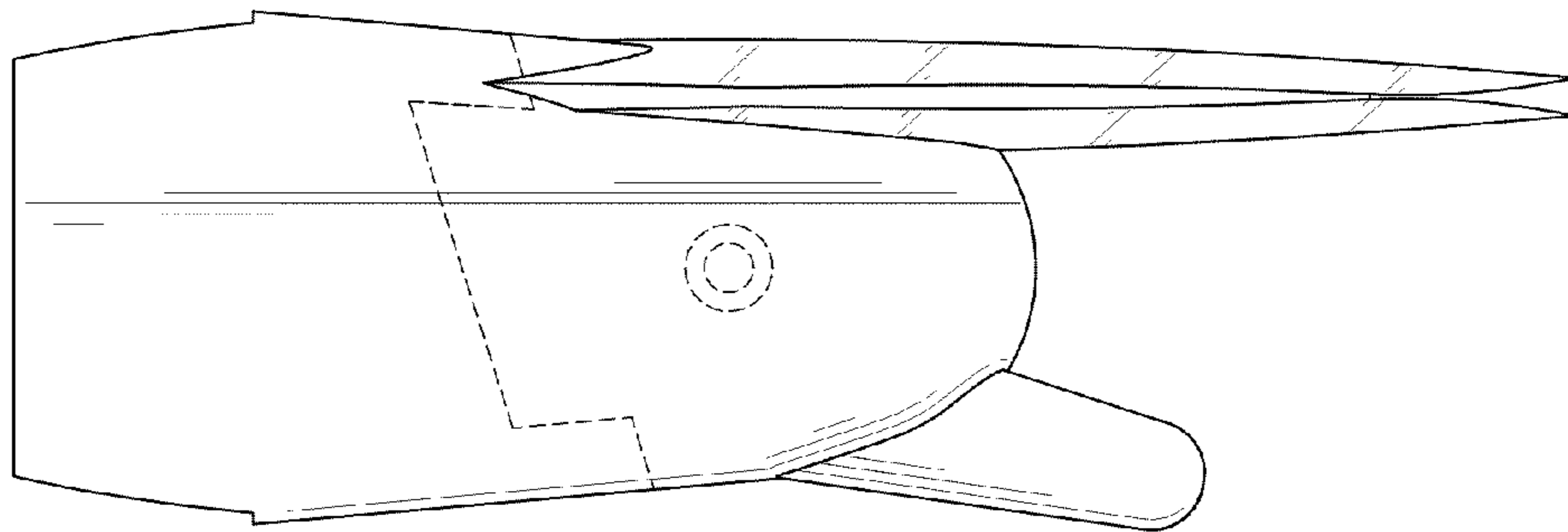


FIG. 3

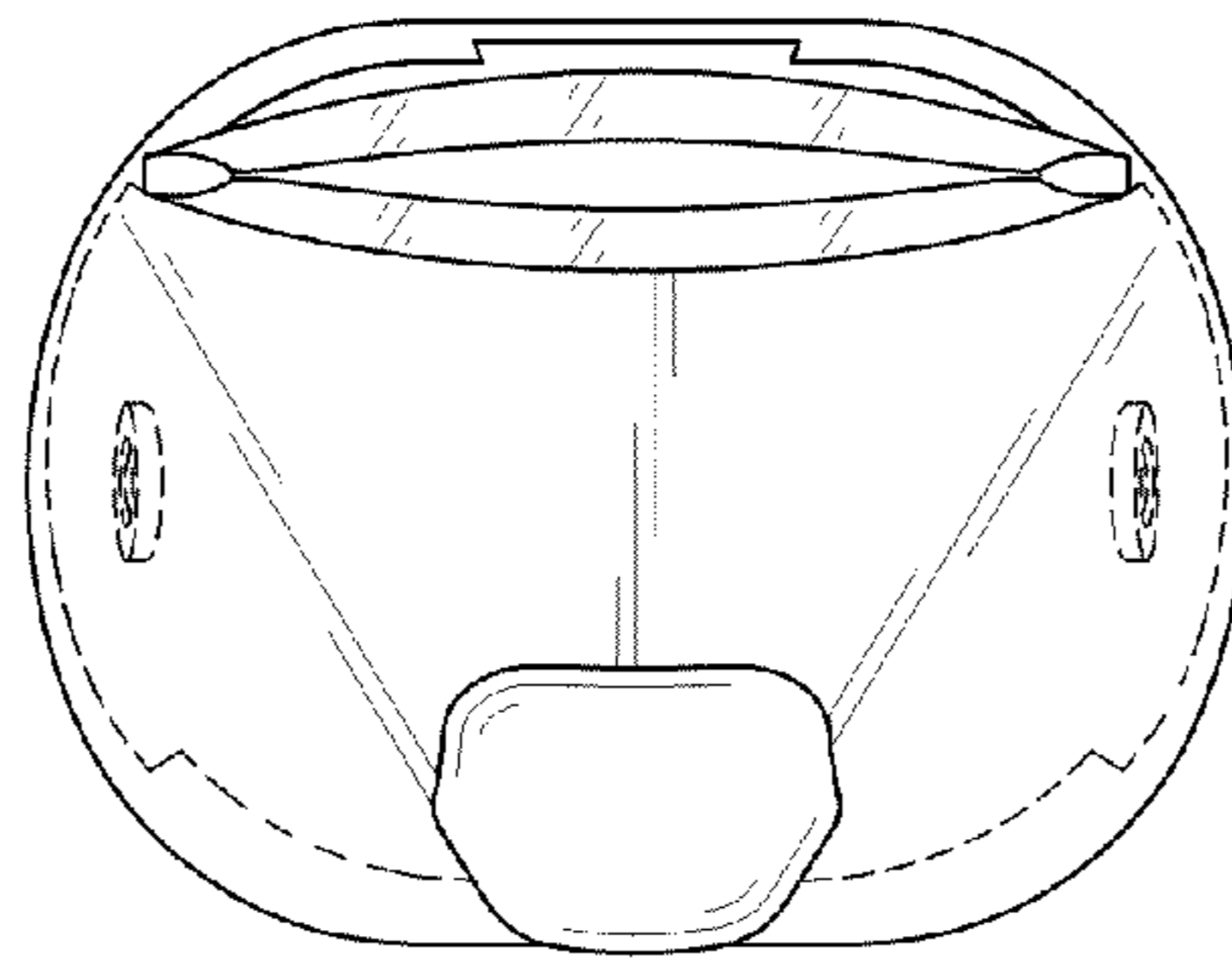


FIG. 4

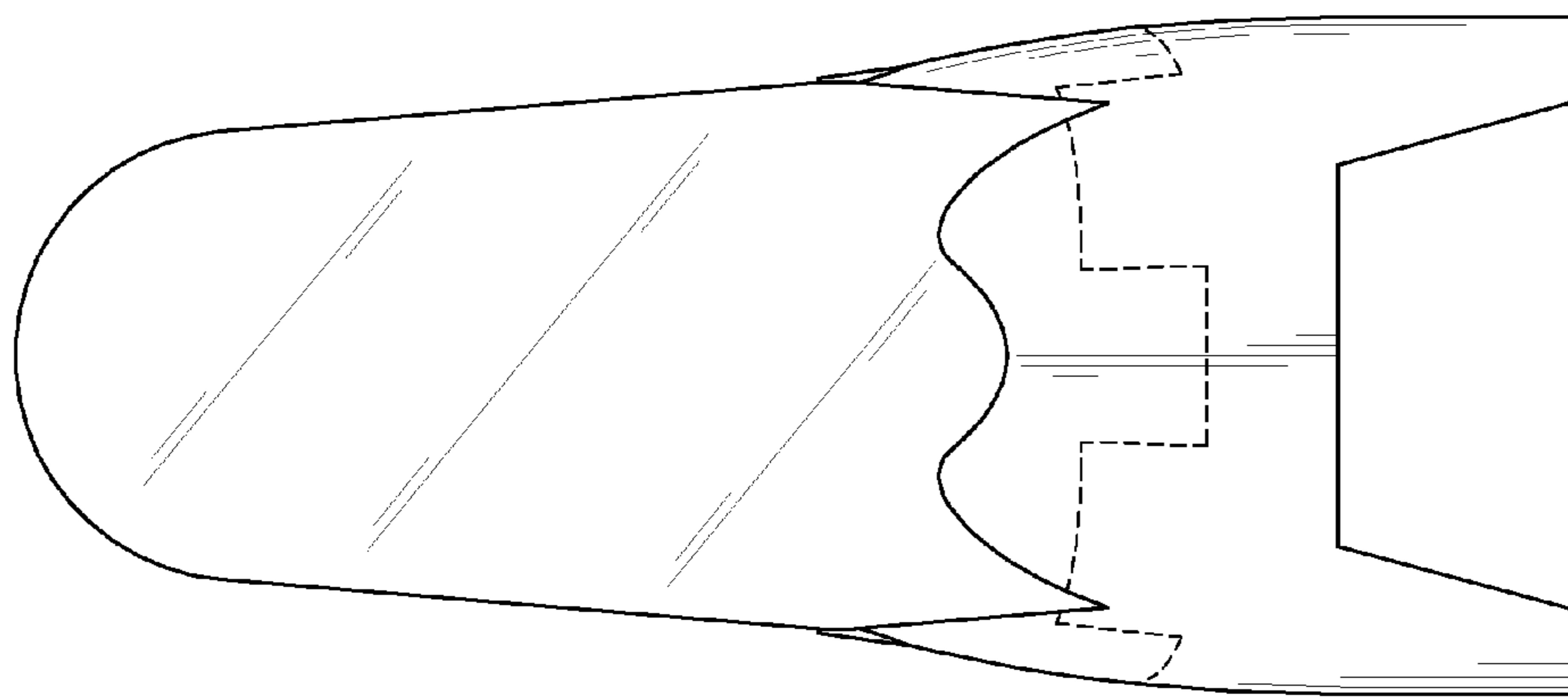


FIG. 5

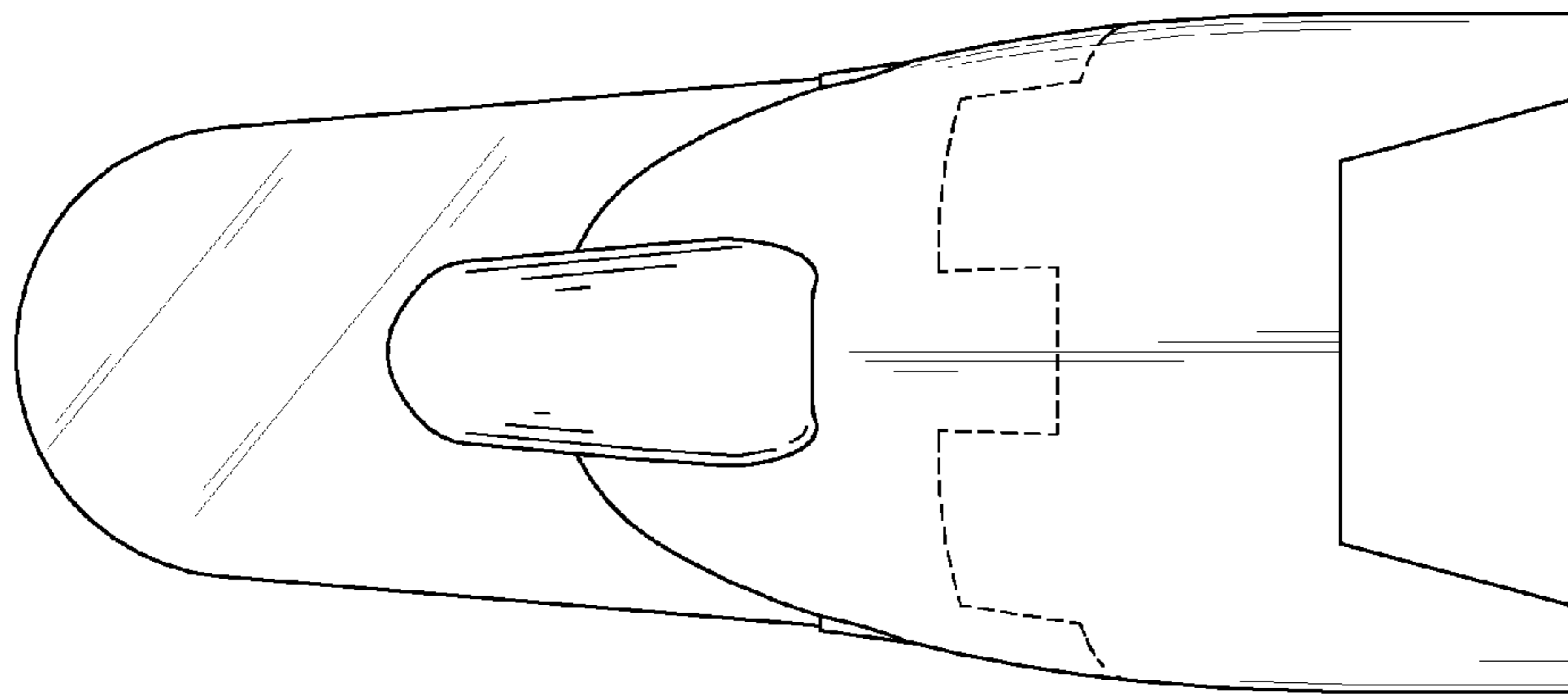


FIG. 6