



US00D642174S

(12) **United States Design Patent**  
**Hirota**

(10) **Patent No.:** **US D642,174 S**  
(45) **Date of Patent:** **\*\* Jul. 26, 2011**

(54) **COORDINATE INPUT DISPLAY DEVICE**

(75) Inventor: **Masuo Hirota**, Saitama (JP)

(73) Assignee: **Wacom Co., Ltd.**, Saitama (JP)

(\*\*) Term: **14 Years**

(21) Appl. No.: **29/368,441**

(22) Filed: **Aug. 24, 2010**

(30) **Foreign Application Priority Data**

Feb. 26, 2010 (JP) ..... 2010-004624

(51) **LOC (9) Cl.** ..... **14-02**

(52) **U.S. Cl.** ..... **D14/390; D14/374**

(58) **Field of Classification Search** ..... D14/388–390,  
D14/341–347, 383, 384, 374, 381, 356; D19/52;  
D10/65; 178/18.01, 18.03–18.09, 18.11;  
345/173–178

See application file for complete search history.

(56) **References Cited**

U.S. PATENT DOCUMENTS

D284,084 S *	6/1986	Ferrara, Jr.	.....	D14/389
D362,662 S *	9/1995	Baudot	.....	D14/389
D448,376 S *	9/2001	Lee	.....	D14/374
D449,609 S *	10/2001	Jung	.....	D14/374
D454,870 S *	3/2002	Lee et al.	.....	D14/341
D466,501 S *	12/2002	Hirota	.....	D14/339
D476,830 S *	7/2003	Sayler et al.	.....	D6/466
D481,719 S *	11/2003	Okawa et al.	.....	D14/341
D505,676 S *	5/2005	Porter et al.	.....	D14/388
D506,195 S *	6/2005	Leveridge et al.	.....	D14/341
D514,558 S *	2/2006	Nagel et al.	.....	D14/341
D519,997 S *	5/2006	Hirota	.....	D14/341
D525,621 S *	7/2006	Hirota	.....	D14/346
D587,261 S *	2/2009	Skaf et al.	.....	D14/341
D596,597 S *	7/2009	Yu et al.	.....	D14/130

(Continued)

FOREIGN PATENT DOCUMENTS

JP D1267825 S 4/2006

(Continued)

OTHER PUBLICATIONS

Wacom—Intuos4 Small USB Tablet with Pen and Mouse,  
URL=<http://www.bestbuy.com/site/olspage.jsp?id+cat13506&type+page&skuId=9235231&productId=1218064395123&defurl=false&h=387.html>, download date Nov. 1, 2010, 6 pages.

(Continued)

*Primary Examiner* — Cathron Brooks

*Assistant Examiner* — Deanna Fluegeman

(74) *Attorney, Agent, or Firm* — Seed IP Law Group PLLC

(57) **CLAIM**

The ornamental design for a coordinate input display device, as shown and described.

**DESCRIPTION**

FIG. 1 is a front elevational view of a coordinate input display device showing my new design.

FIG. 2 is a rear elevational view of the device in FIG. 1.

FIG. 3 is a top plan view of the device in FIG. 1.

FIG. 4 is a bottom plan view of the device in FIG. 1.

FIG. 5 is a right side elevational view of the device in FIG. 1.

FIG. 6 is a left side elevational view of the device in FIG. 1.

FIG. 7 is a perspective view of the device in FIG. 1.

FIG. 8 is a left side elevational view of the device in FIG. 1 with its stand unfolded.

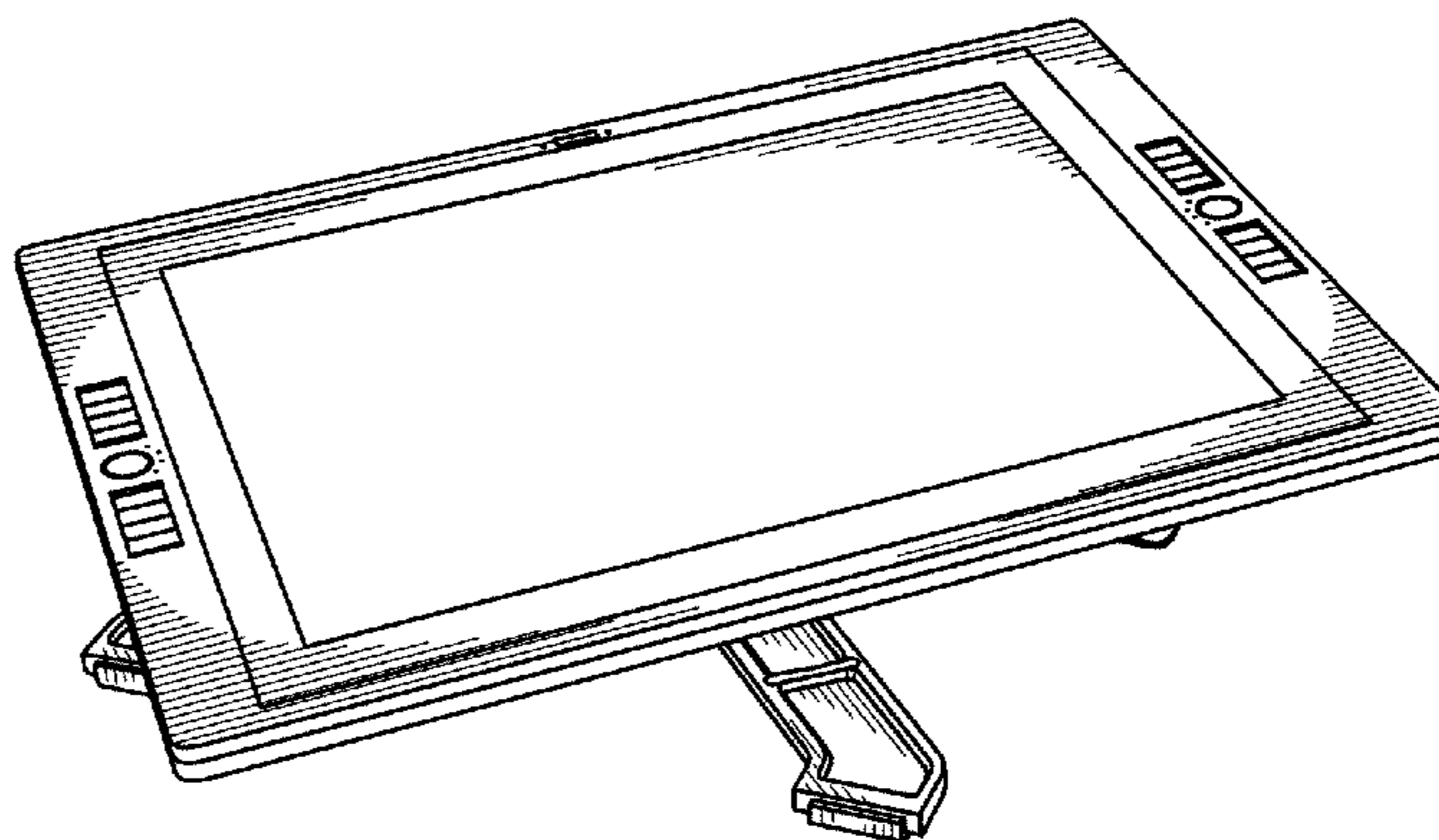
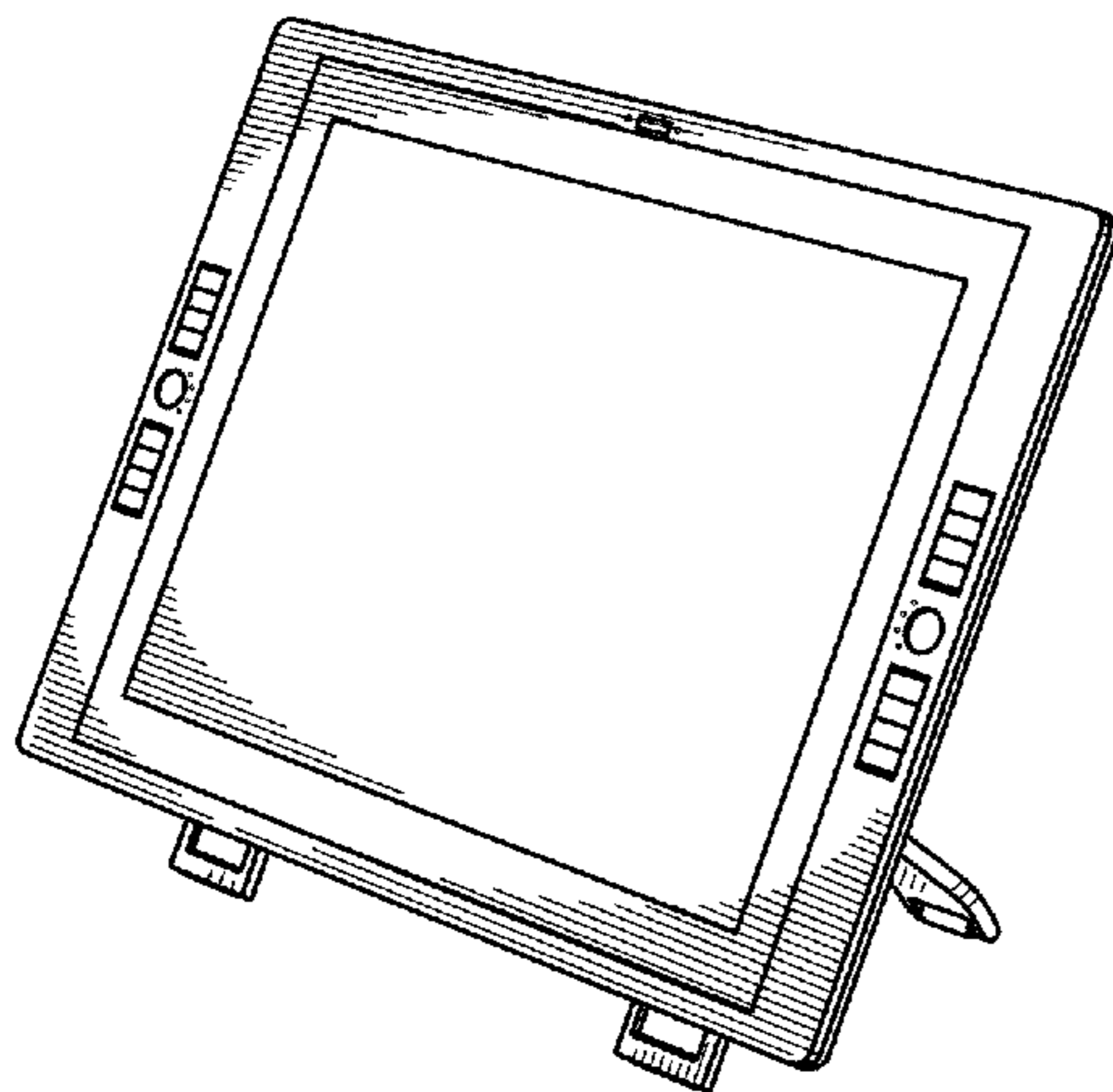
FIG. 9 is a perspective view of the device in FIG. 8.

FIG. 10 is a perspective view of the device in FIG. 1 with its stand unfolded and rotated.

FIG. 11 is a left side elevational cross-sectional view of the device in FIG. 1; and,

FIG. 12 is a top cross-sectional view of the device in FIG. 6.

**1 Claim, 6 Drawing Sheets**



# US D642,174 S

Page 2

---

## U.S. PATENT DOCUMENTS

D606,071 S \* 12/2009 Wu et al. .... D14/336  
D614,182 S \* 4/2010 Busri ..... D14/341  
D619,134 S \* 7/2010 Tsai et al. .... D14/371  
D625,727 S \* 10/2010 Crisp et al. .... D14/390  
D625,728 S \* 10/2010 Crisp et al. .... D14/390  
D629,400 S \* 12/2010 Harper ..... D14/390  
D629,401 S \* 12/2010 Crisp et al. .... D14/390  
D629,402 S \* 12/2010 Crisp et al. .... D14/390  
D629,771 S \* 12/2010 Haspil et al. .... D14/138 G  
D631,047 S \* 1/2011 Hirota ..... D14/390  
D631,469 S \* 1/2011 Demskie et al. .... D14/218

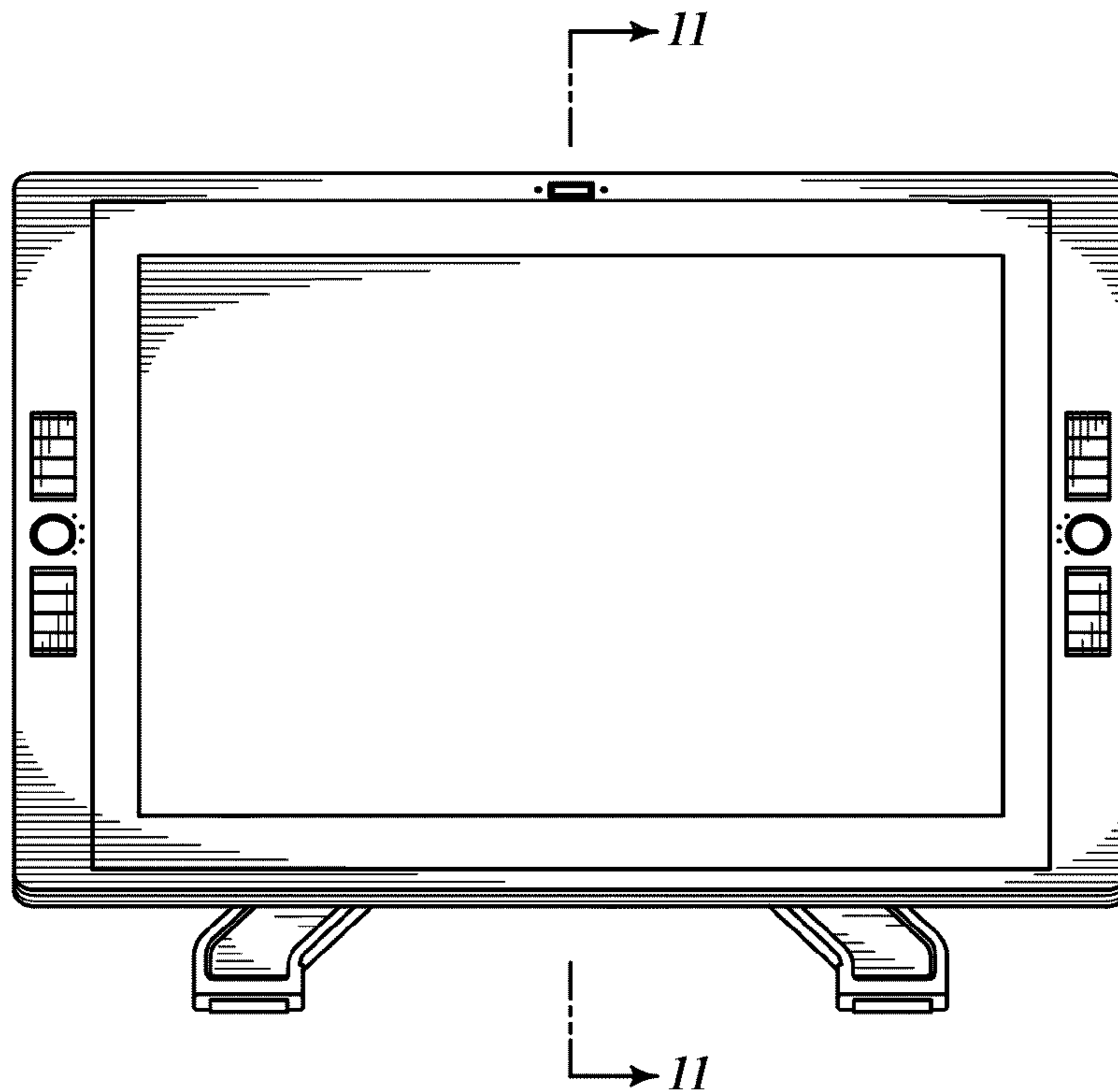
## FOREIGN PATENT DOCUMENTS

JP D1278341 S 8/2006  
JP D1278507 S 8/2006

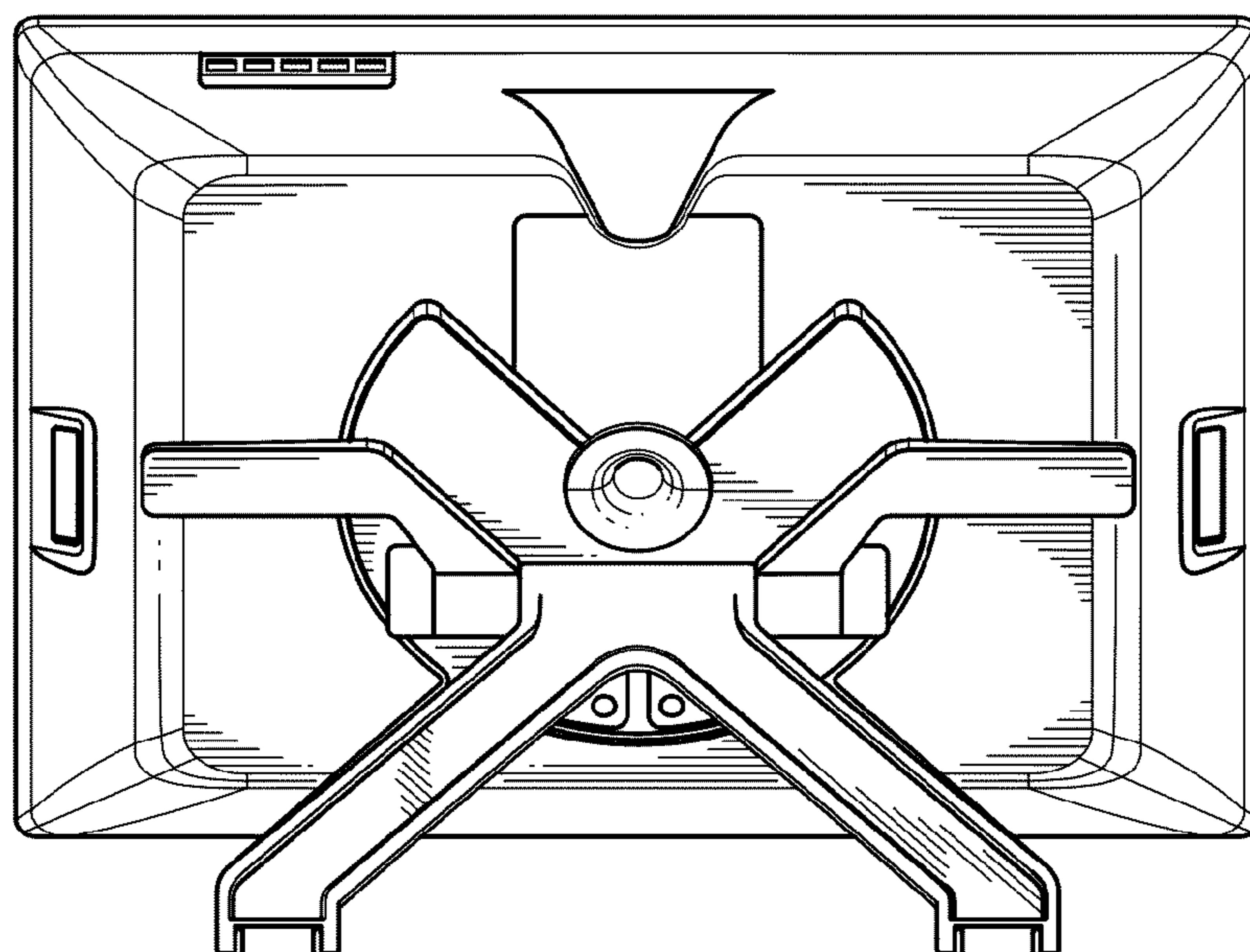
## OTHER PUBLICATIONS

Wacom, High Performance Pen Tablet "Cintiq 12WX" released,  
URL=[http://tablet.wacom.co.jp/what/detail/detail\\_press.html?nno=476](http://tablet.wacom.co.jp/what/detail/detail_press.html?nno=476), download date Nov. 1, 2010, 4 pages.  
Wacom Cintiq 20WSX, "Installation Guide & Hardware Manual for  
Cintiq 20WSX (DTZ-2000W)," English Version 1.0, Jan. 15, 2007,  
72 pages.

\* cited by examiner



**FIG. 1**



**FIG. 2**

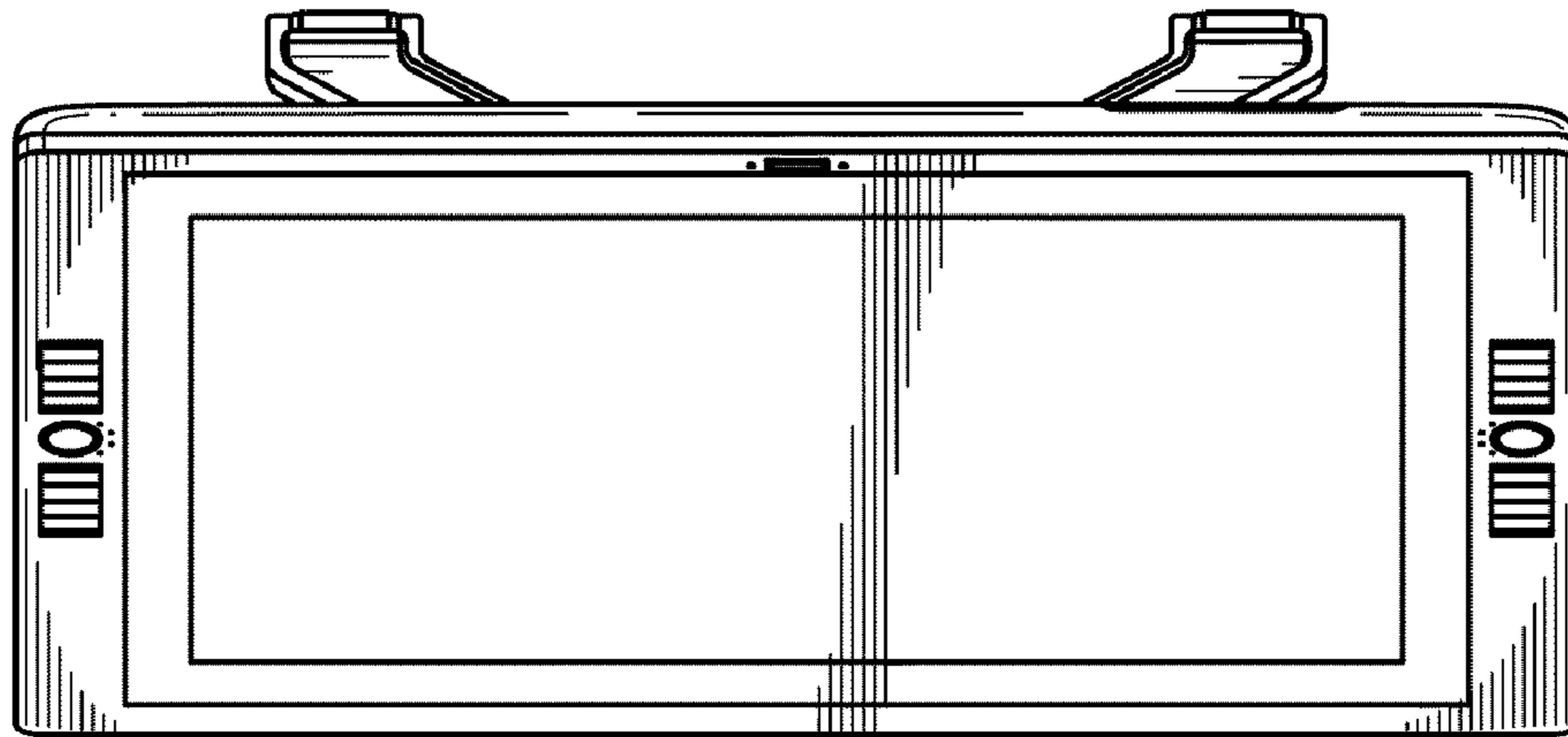


FIG. 3

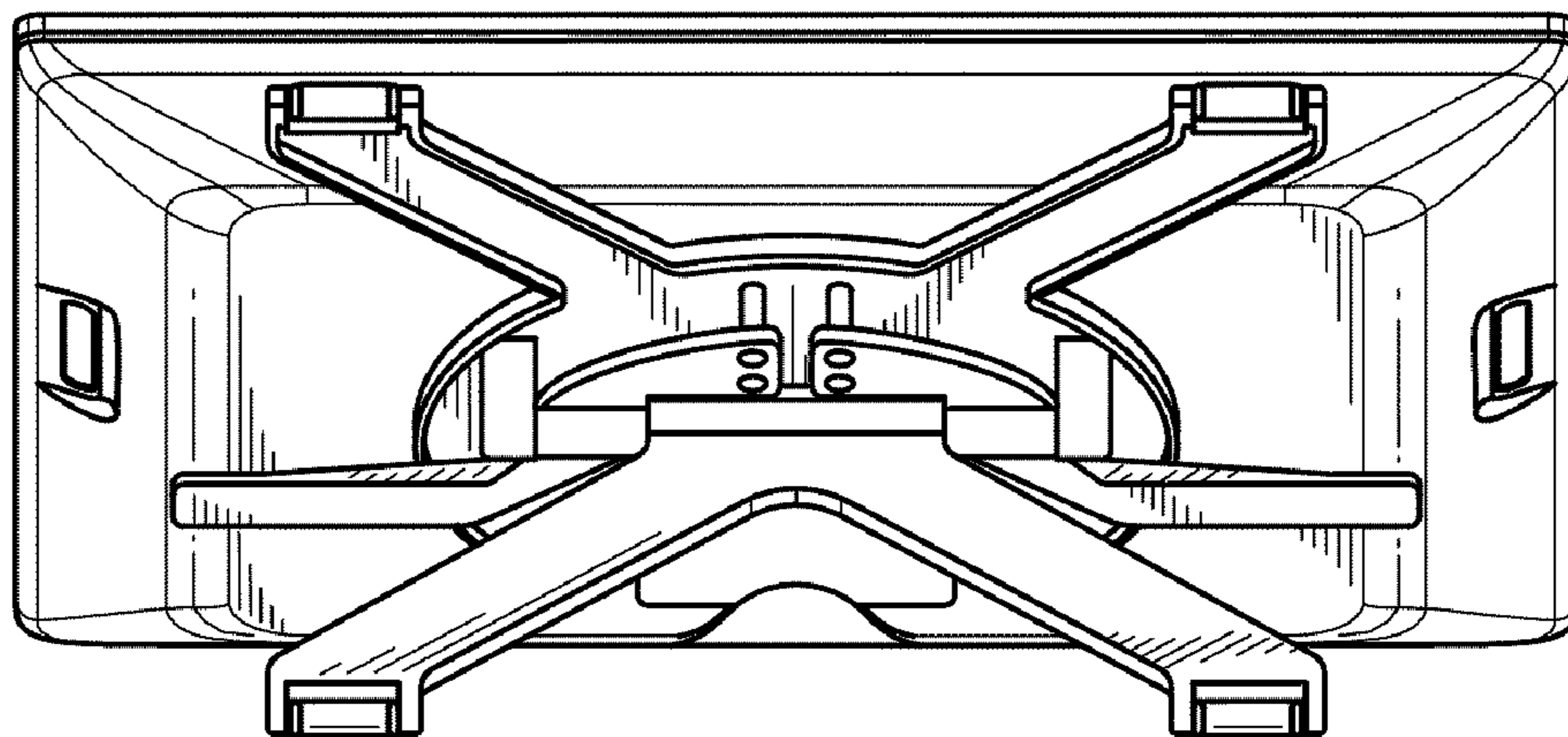
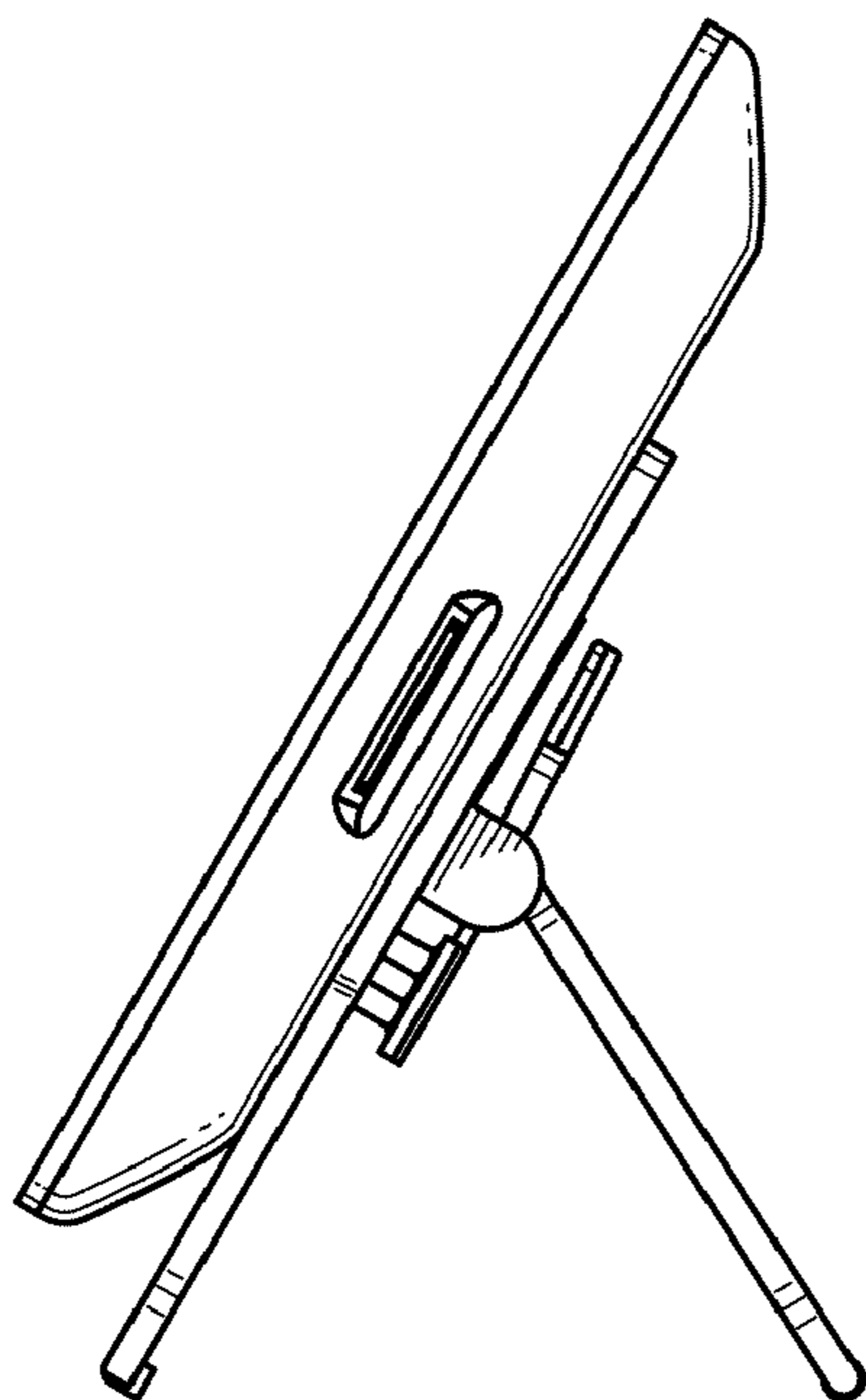
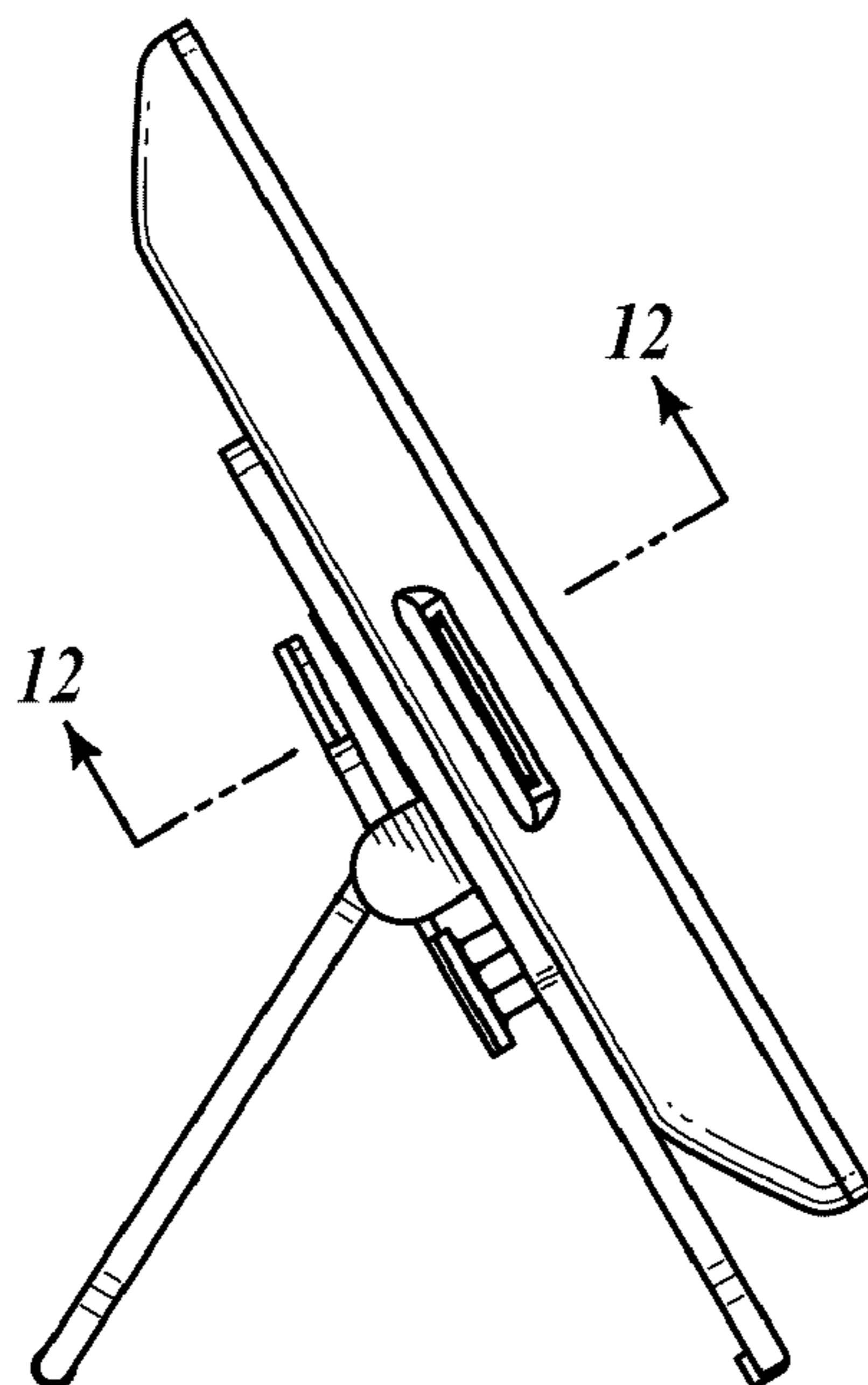


FIG. 4





**FIG. 5**



**FIG. 6**

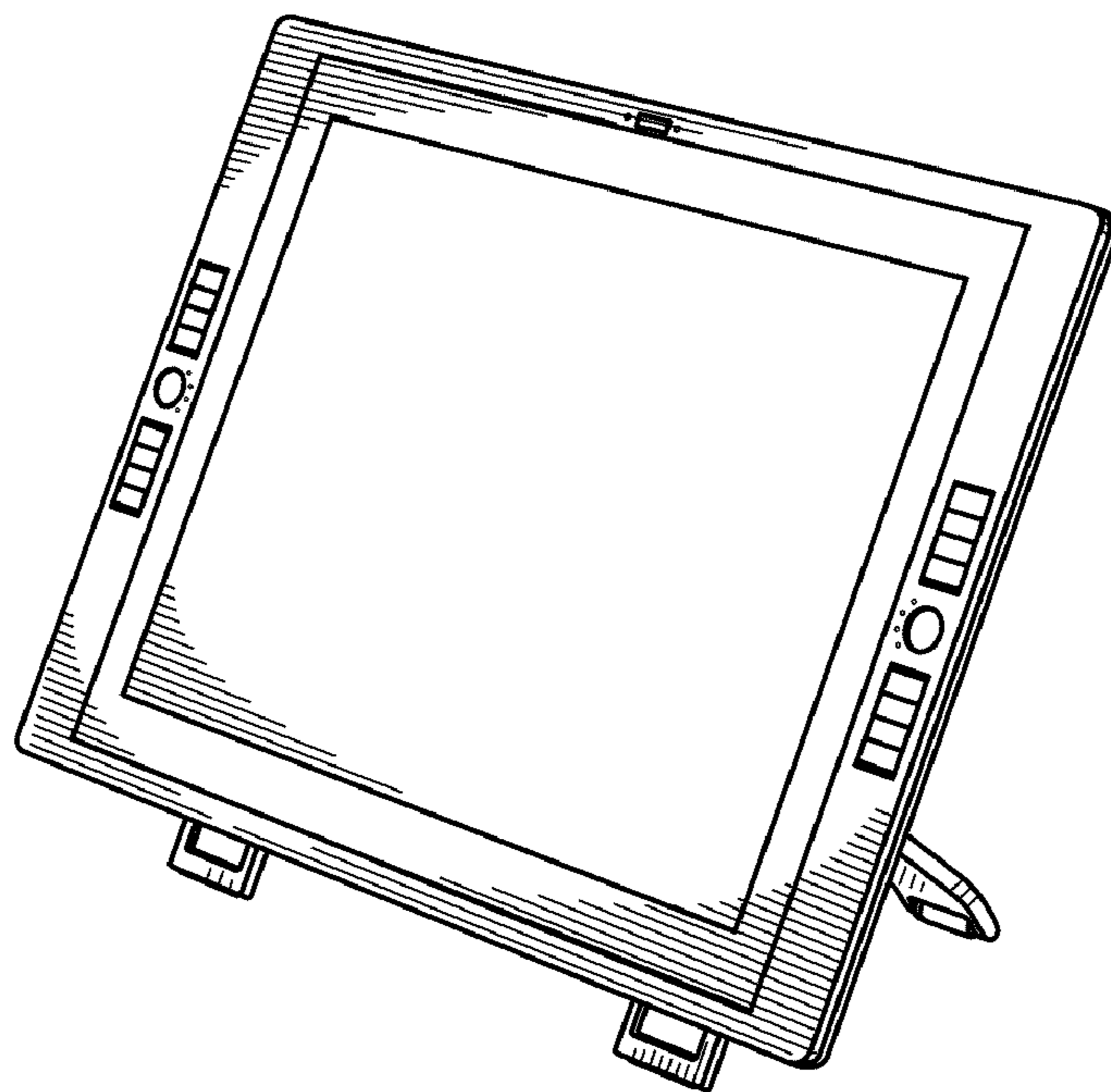


FIG. 7

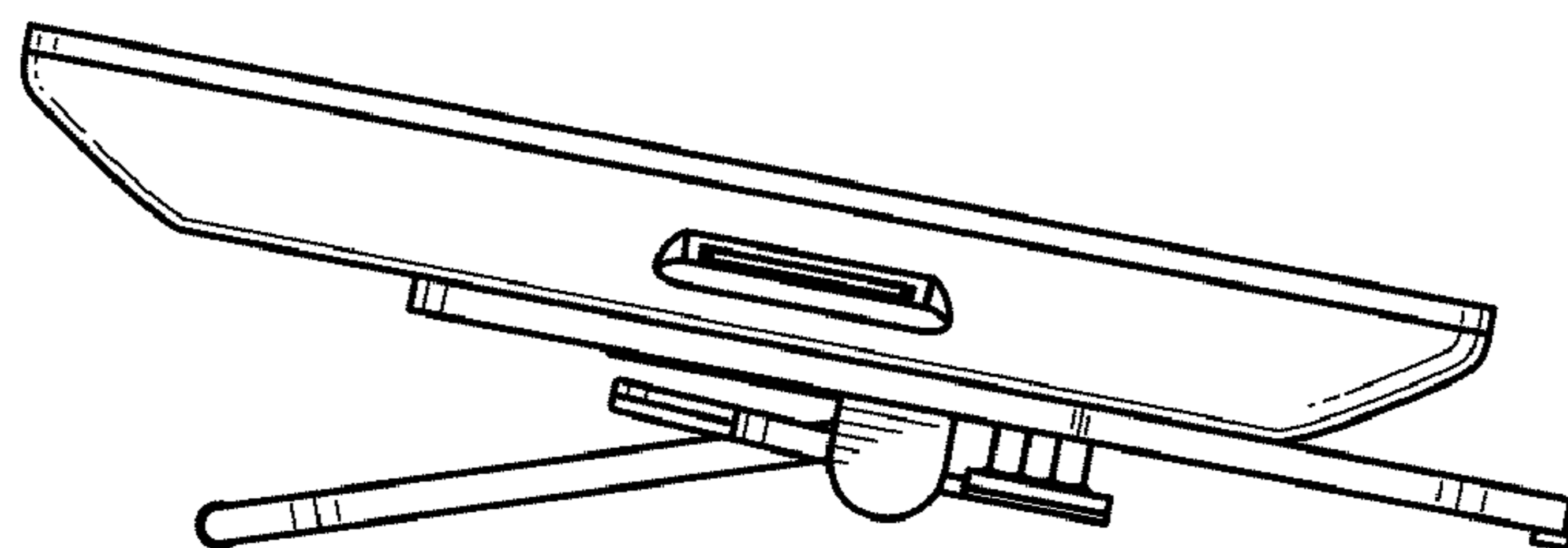
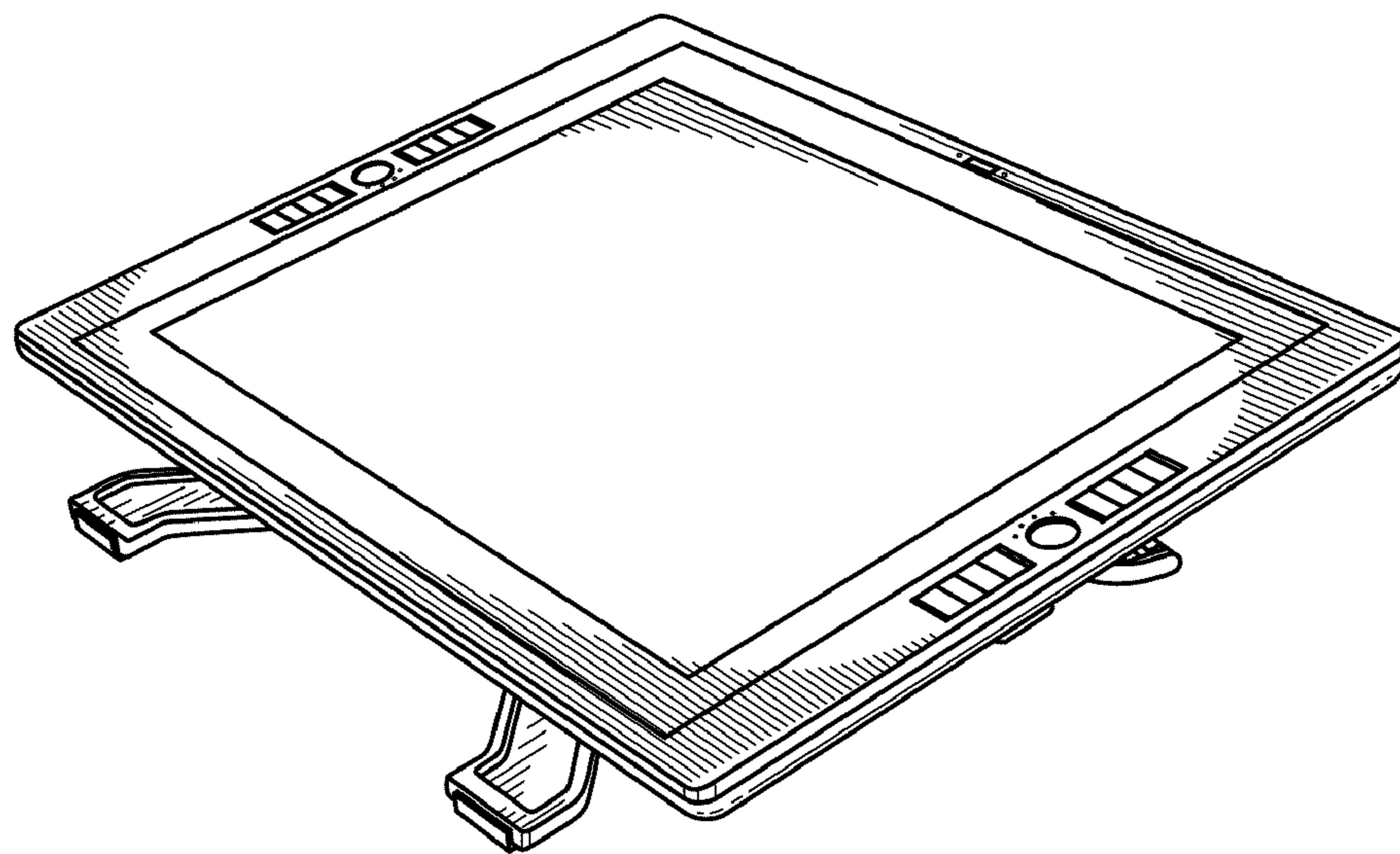
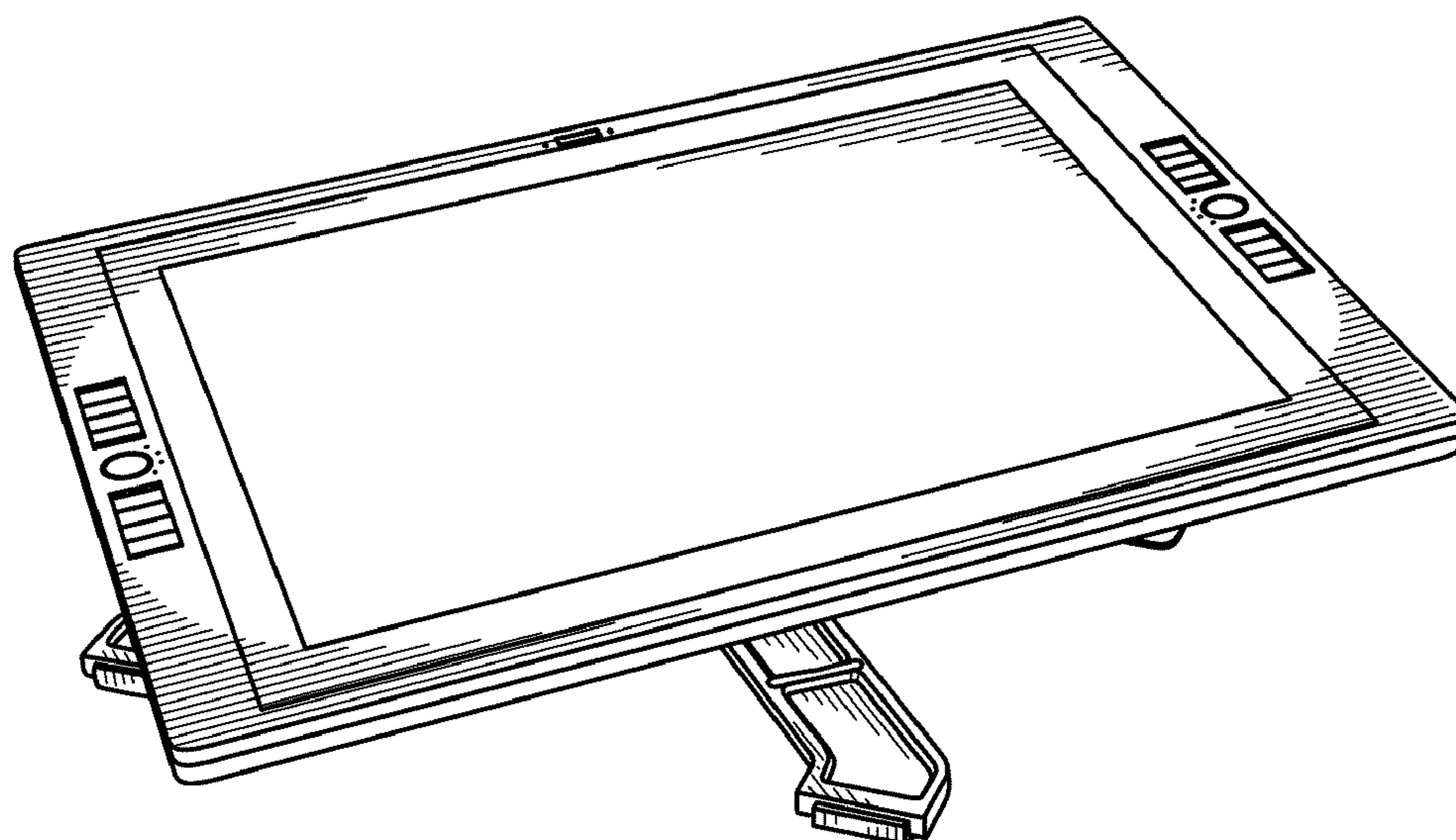


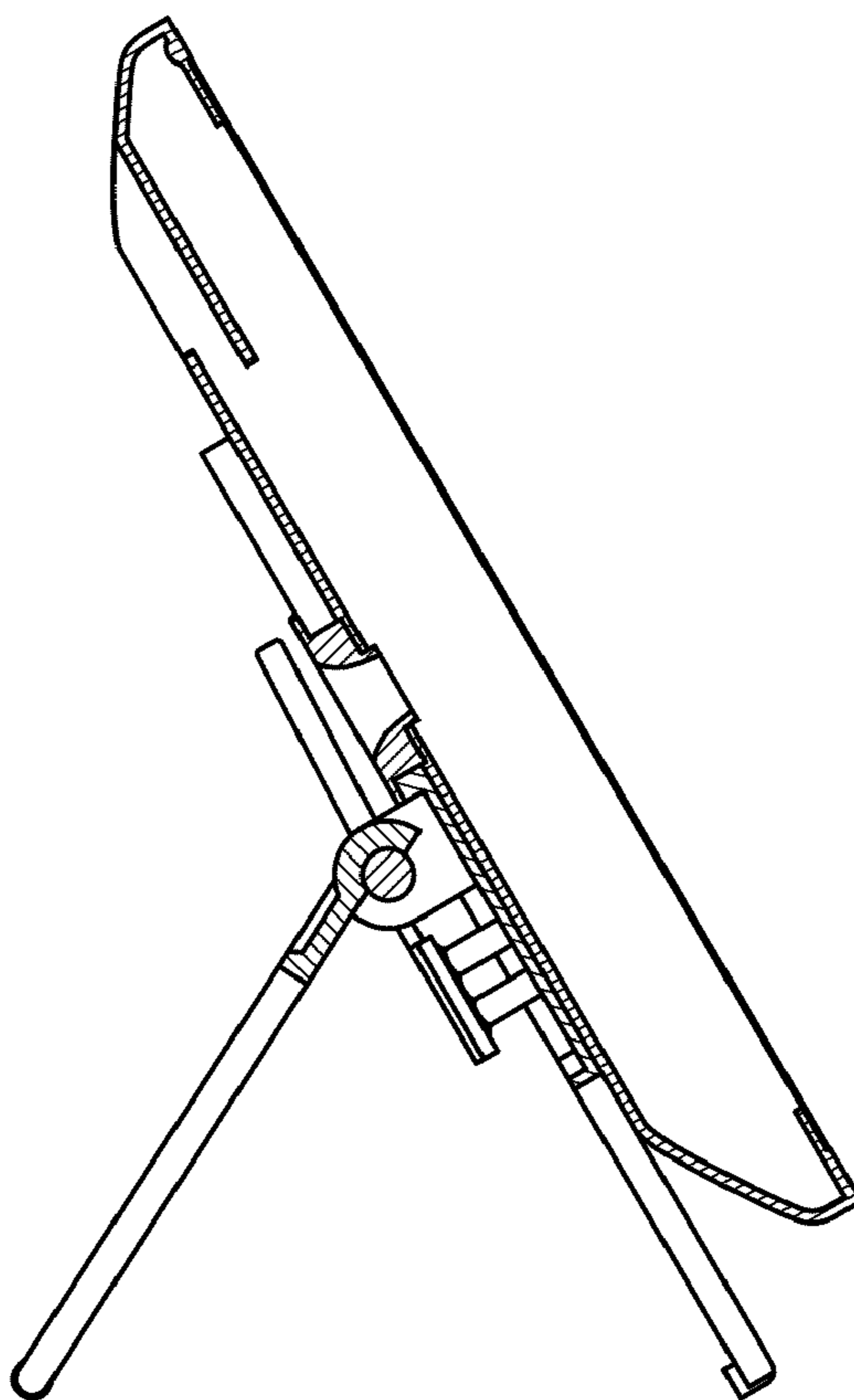
FIG. 8



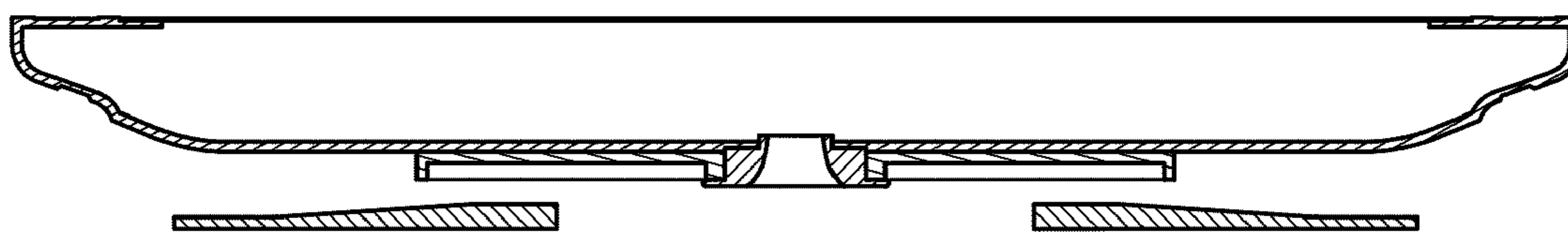
**FIG. 9**



**FIG. 10**



**FIG. 11**



**FIG. 12**