

US00D642173S

(12) **United States Design Patent**
Lee et al.

(10) **Patent No.:** **US D642,173 S**
(45) **Date of Patent:** **** Jul. 26, 2011**

(54) **EXTERNAL CD-ROM DRIVE**
(75) Inventors: **Chul Lee**, Seoul (KR); **Gang Ho Woo**,
Seoul (KR); **Young Won Jeong**, Jeonbuk
(KR)
(73) Assignee: **LG Electronics Inc.**, Seoul (KR)
(**) Term: **14 Years**
(21) Appl. No.: **29/363,832**
(22) Filed: **Jun. 15, 2010**

(30) **Foreign Application Priority Data**
Dec. 30, 2009 (KR) 30-2009-0057686
(51) **LOC (9) Cl.** **14-02**
(52) **U.S. Cl.** **D14/365**
(58) **Field of Classification Search** D14/496,
D14/125, 135, 167, 314, 341, 348, 353, 356-370,
D14/383, 385; D13/103, 184; 220/4.02;
361/679.31-679.45; 369/30.03
See application file for complete search history.

(56) **References Cited**
U.S. PATENT DOCUMENTS
D295,860 S * 5/1988 Van Dorssen D14/214
D324,685 S * 3/1992 Strohbeen D14/214
D337,903 S * 8/1993 Shelton, Jr. D6/474
D364,884 S * 12/1995 Shindo D16/202
6,480,167 B2 * 11/2002 Matthews 343/795
D473,223 S * 4/2003 Pullman D14/240
D478,588 S * 8/2003 Watanabe et al. D14/366
D483,353 S * 12/2003 Hyogo D14/240
D501,473 S * 2/2005 Nakata D14/341
D502,465 S * 3/2005 Laity et al. D14/242
D515,075 S * 2/2006 Kusanagi et al. D14/230
D515,076 S * 2/2006 Kusanagi et al. D14/230
D537,445 S * 2/2007 Bousfield D14/383

D568,865 S * 5/2008 Wada et al. D14/168
D574,360 S * 8/2008 Matsuoka D14/168
D577,020 S * 9/2008 Park D14/363
D590,395 S * 4/2009 Heggland D14/363
D594,875 S * 6/2009 Sheba et al. D14/496
D597,543 S * 8/2009 Urban D14/356
D599,751 S * 9/2009 Zhang et al. D14/125
D620,485 S * 7/2010 Corrigan et al. D14/240
D620,900 S * 8/2010 Harden et al. D14/125
D624,076 S * 9/2010 Huh et al. D14/366
D626,099 S * 10/2010 Huang D14/125
D630,632 S * 1/2011 Puls et al. D14/356

OTHER PUBLICATIONS

LG launches Mac-friendly CD/DVD rewriter—Pocket-lint, [online] posted Oct. 22, 2008 [retrieved on Mar. 21, 2011]. Retrieved from the Internet <URL: <http://www.pocket-lint.com/news/18597/lg-gp08-nu10-mac-compatible-cddvd-rewriter>>.*

* cited by examiner

Primary Examiner — Cathron Brooks
Assistant Examiner — Karen E Kearney
(74) *Attorney, Agent, or Firm* — Morgan, Lewis & Bockius LLP

(57) **CLAIM**
The ornamental design for an external CD-ROM drive, as shown and described.

DESCRIPTION

FIG. 1 is a top, front, perspective view of an external CD-ROM drive showing our new design;
FIG. 2 is a front view thereof;
FIG. 3 is a rear view thereof;
FIG. 4 is a left side view thereof;
FIG. 5 is a right side view thereof;
FIG. 6 is a top view thereof; and,
FIG. 7 is a bottom view thereof.

1 Claim, 3 Drawing Sheets

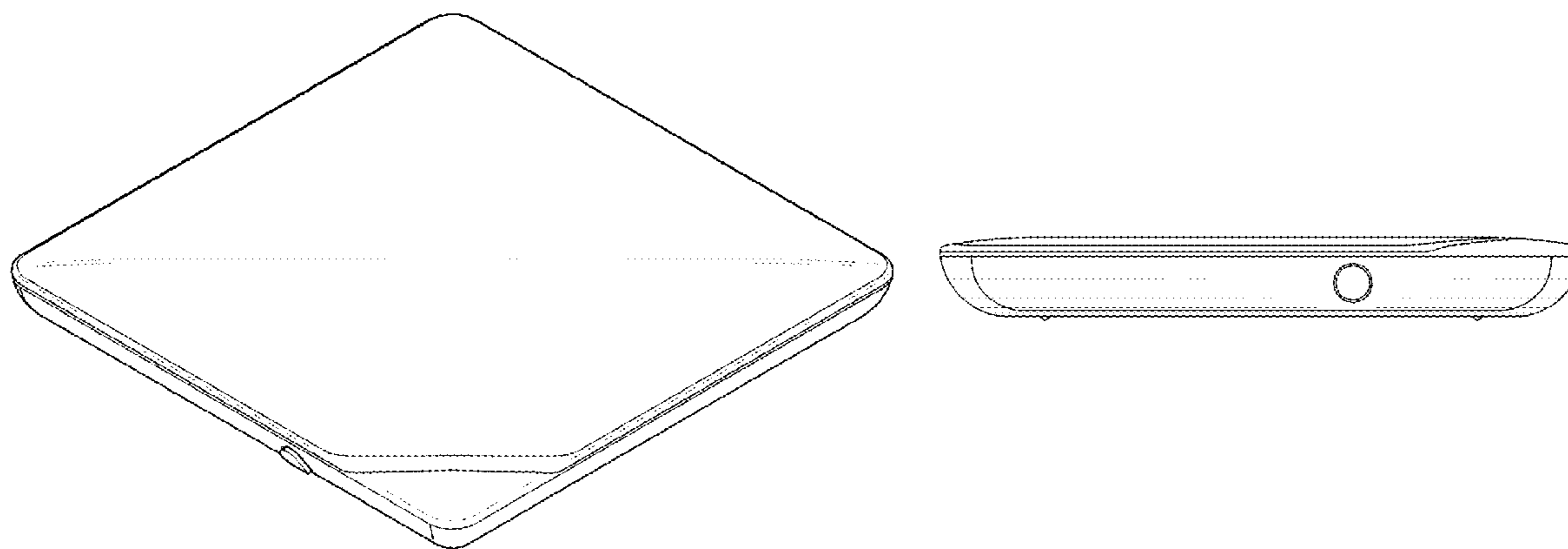


FIG. 1

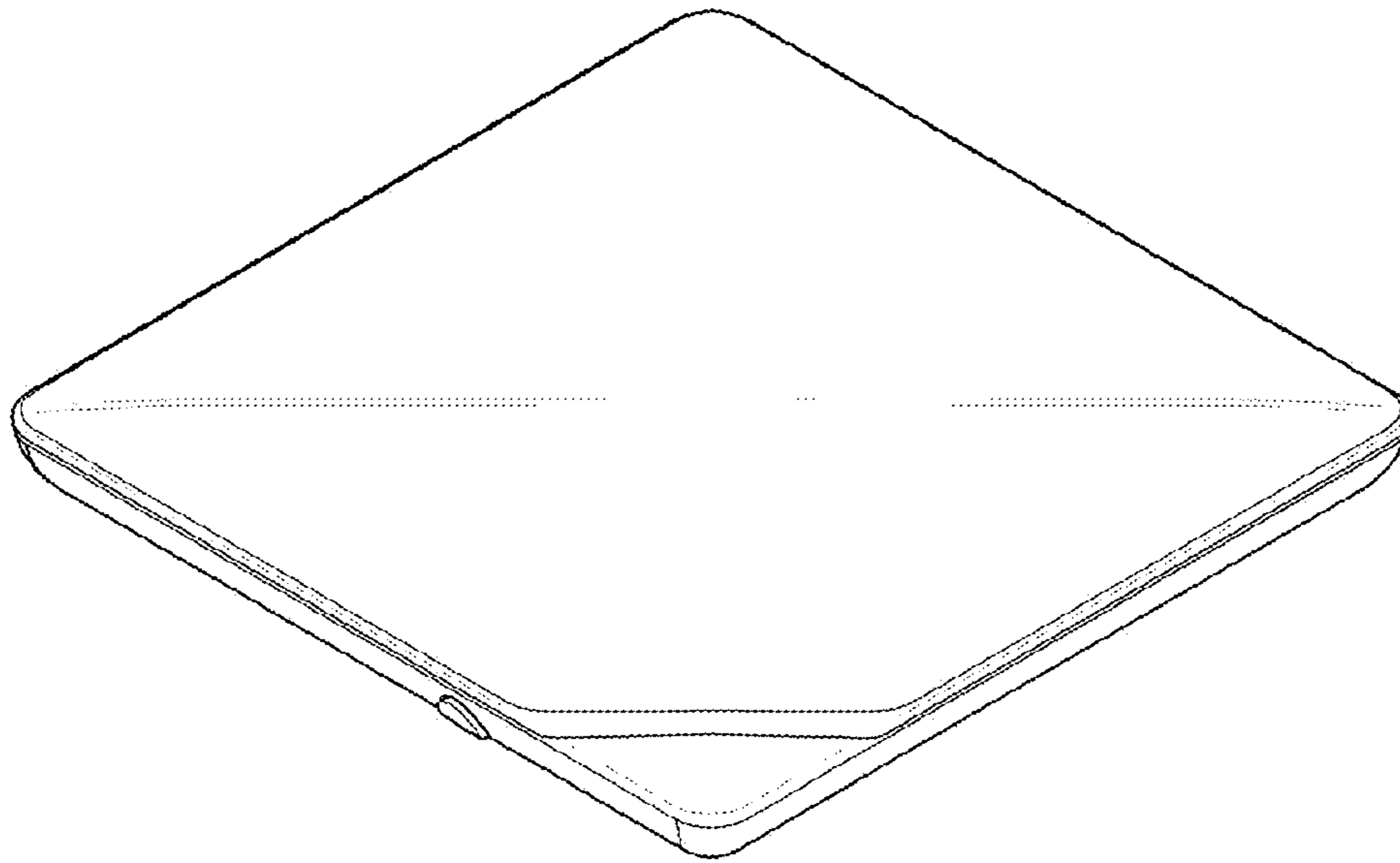


FIG. 2

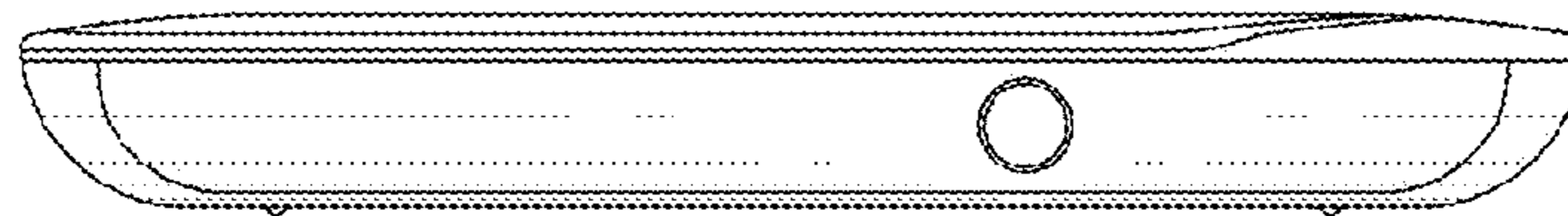


FIG. 3

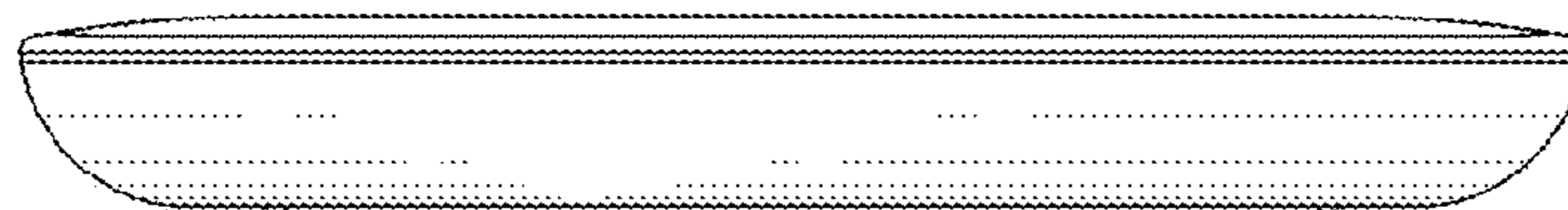


FIG. 4

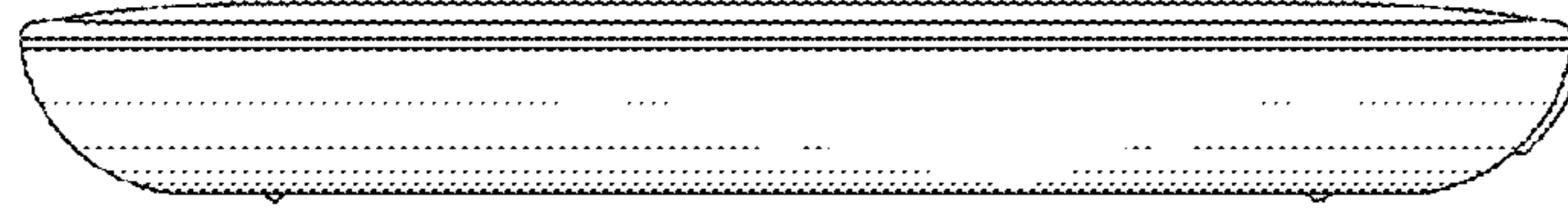


FIG. 5

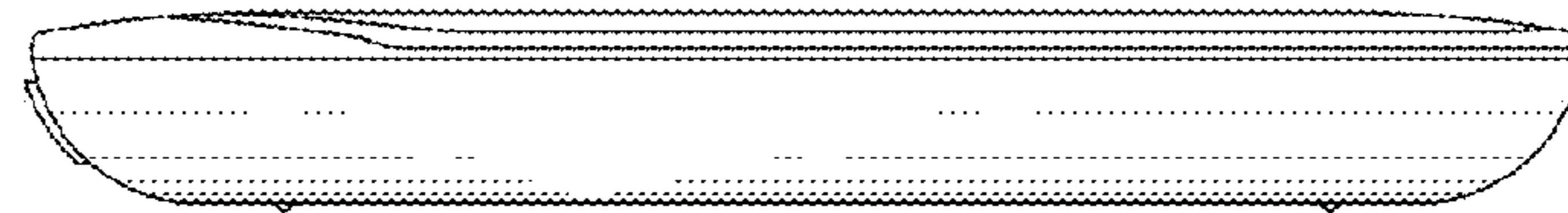


FIG. 6

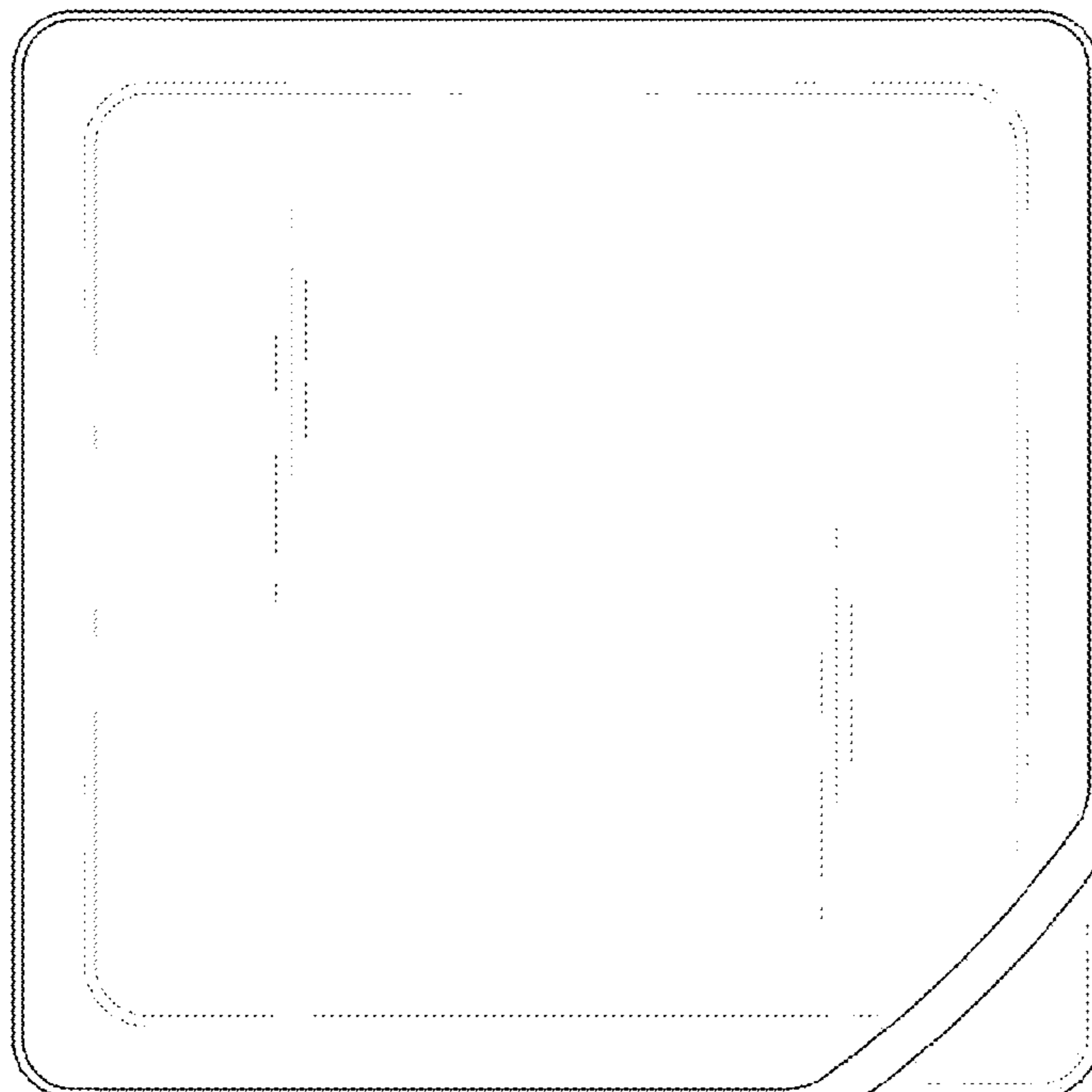


FIG. 7

