



US00D642170S

(12) **United States Design Patent**  
**Johnson et al.**

(10) **Patent No.:** **US D642,170 S**

(45) **Date of Patent:** **\*\* Jul. 26, 2011**

(54) **COVER FOR AN ELECTRONIC DEVICE COMPONENT**

(56) **References Cited**

(75) Inventors: **Jamie Johnson**, Fort Collins, CO (US);  
**Stephen Willes**, Fort Collins, CO (US);  
**Travis Smith**, Fort Collins, CO (US);  
**Alan Morine**, Fort Collins, CO (US);  
**Jason Thompson**, Fort Collins, CO (US);  
**Zachary Dunkin**, Wellington, CO (US)

(73) Assignee: **Otter Products, LLC**, Fort Collins, CO (US)

(\*\*) Term: **14 Years**

(21) Appl. No.: **29/377,275**

(22) Filed: **Oct. 19, 2010**

(51) **LOC (9) Cl.** ..... **14-03**

(52) **U.S. Cl.** ..... **D14/250**

(58) **Field of Classification Search** ..... D3/201,  
D3/215, 218, 269, 273, 294; D14/140, 142,  
D14/203.3, 217, 218, 240, 242, 250-253,  
D14/299, 358, 440, 450; D13/103, 107,  
D13/108.119; 220/4.02; 224/119, 191, 240,  
224/241, 245, 682, 683; 248/309.1; 361/679.3,  
361/679.56; 379/454, 455; 455/575.1, 575.6,  
455/575.7, 575.8, 575.9; 190/100; 206/305,  
206/320; 359/819, 822, 702, 511, 513; 396/29,  
396/448, 25; 348/373

See application file for complete search history.

U.S. PATENT DOCUMENTS

|           |      |         |                        |            |
|-----------|------|---------|------------------------|------------|
| 7,386,331 | B2 * | 6/2008  | Hyun et al. ....       | 455/575.4  |
| D597,089  | S *  | 7/2009  | Khan et al. ....       | D14/250    |
| 7,577,461 | B2 * | 8/2009  | Sawayama et al. ....   | 455/556.1  |
| D609,463  | S *  | 2/2010  | Bullen .....           | D3/218     |
| 7,660,053 | B2 * | 2/2010  | Naitou .....           | 359/819    |
| D610,807  | S *  | 3/2010  | Bau .....              | D3/269     |
| D611,042  | S *  | 3/2010  | Ferrari et al. ....    | D14/250    |
| D615,536  | S *  | 5/2010  | Richardson et al. .... | D14/250    |
| D625,698  | S *  | 10/2010 | Miyazaki et al. ....   | D14/138 AB |
| 7,936,384 | B2 * | 5/2011  | Sawachi .....          | 348/240.1  |
| 7,937,122 | B2 * | 5/2011  | Hamamura et al. ....   | 455/575.1  |
| 7,949,242 | B2 * | 5/2011  | Yang et al. ....       | 396/29     |

\* cited by examiner

*Primary Examiner* — Raphael Barkai  
*Assistant Examiner* — Randall Gholson

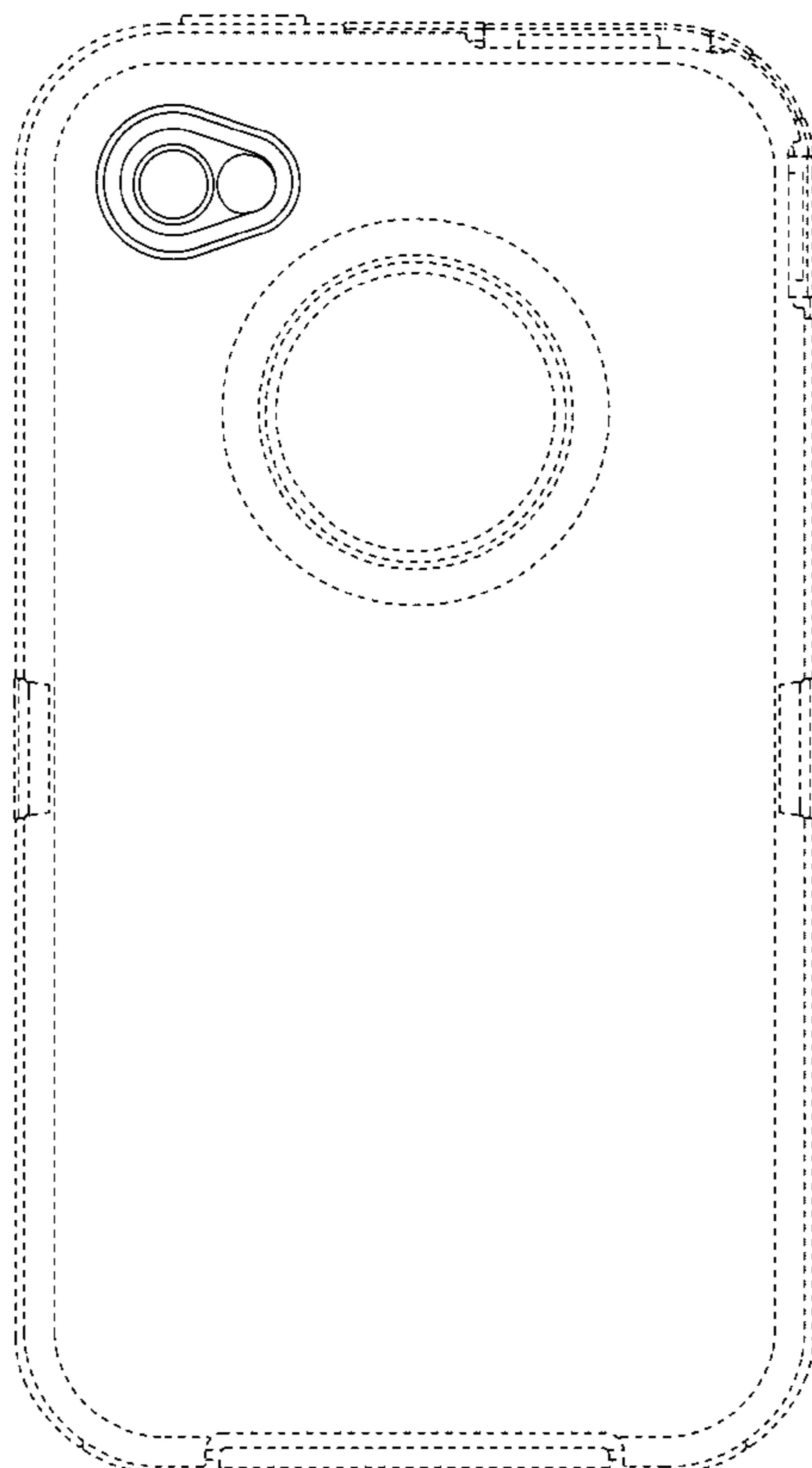
(57) **CLAIM**

The ornamental design for a cover for an electronic device component, as shown and described.

**DESCRIPTION**

FIG. 1 is a front isometric view showing our new design; and, FIG. 2 is a front view thereof. The broken lines are directed to environment. The broken lines and unshaded regions bounded by the broken lines form no part of the claimed design.

**1 Claim, 2 Drawing Sheets**



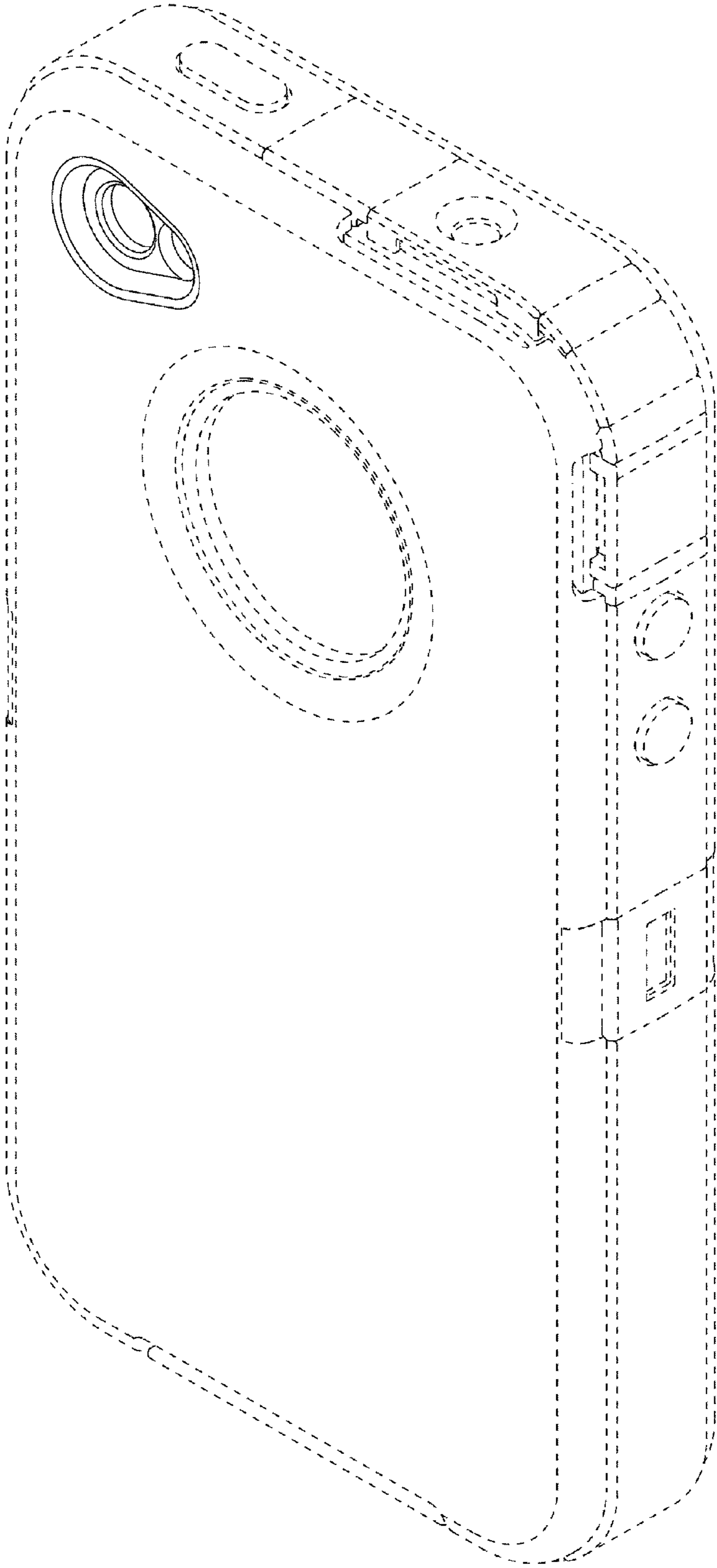


FIG. 1

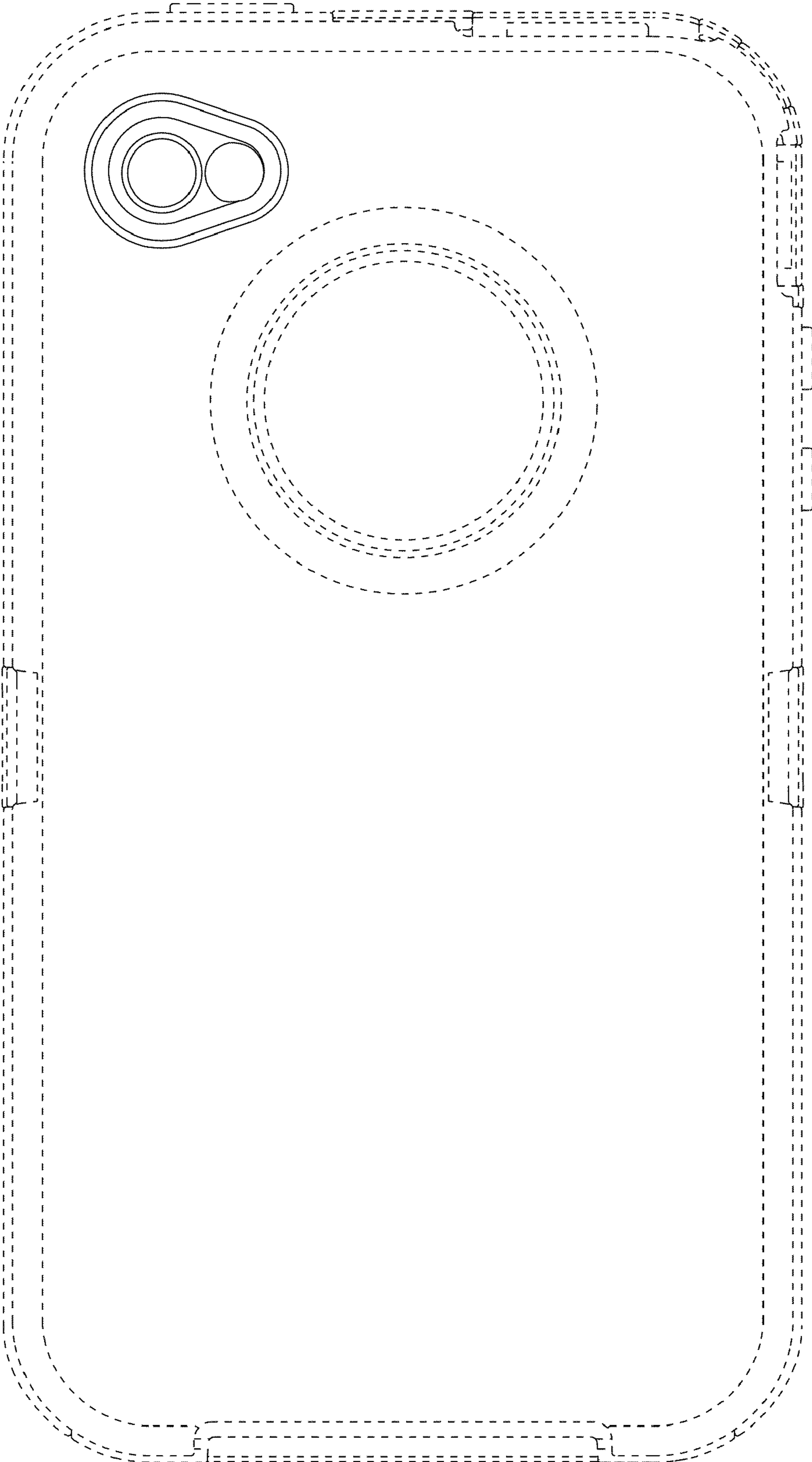


FIG. 2