



US00D642166S

(12) **United States Design Patent**  
**Beans, Jr. et al.**

(10) **Patent No.:** **US D642,166 S**  
(45) **Date of Patent:** **\*\* Jul. 26, 2011**

(54) **TELECOMMUNICATIONS BOX**  
(75) Inventors: **William S. Beans, Jr.**, Denver, CO (US);  
**Shihchieh Chou**, Chula Vista, CA (US);  
**John C. Hockemeier**, Denver, CO (US);  
**James Patrick O'Connor**, Idaho  
Springs, CO (US); **Keith D. Paglusch**,  
Overland park, KS (US)

(73) Assignee: **Open Range Communications Inc.**,  
Greenwood Village, CO (US)

(\*\*) Term: **14 Years**

(21) Appl. No.: **29/360,620**

(22) Filed: **Apr. 28, 2010**

(51) **LOC (9) Cl.** ..... **14-03**

(52) **U.S. Cl.** ..... **D14/240; D14/242**

(58) **Field of Classification Search** ..... D14/240-242,  
D14/356-358, 140.1-140.6, 140, 155, 159,  
D14/141.1-141.3, 137, 149, 150, 349, 351,  
D14/348, 353-355, 170-171, 225, 217, 125;  
D13/184, 133, 152; 455/550.1; 361/679.4,  
361/679.56, 679.03, 679.26; 340/7.54; 439/717;  
370/315; 375/311

See application file for complete search history.

(56) **References Cited**

**U.S. PATENT DOCUMENTS**

D372,474	S	*	8/1996	Ford et al.	.....	D14/149
D380,205	S	*	6/1997	Bares	.....	D14/242
D409,199	S	*	5/1999	Taguchi et al.	.....	D14/217
D415,164	S	*	10/1999	Hadar	.....	D14/240
D437,311	S	*	2/2001	Nam	.....	D14/227
D484,496	S	*	12/2003	Watanabe	.....	D14/240
D488,150	S	*	4/2004	Chen et al.	.....	D14/242
D490,424	S	*	5/2004	Yamanashi	.....	D14/358
D494,156	S	*	8/2004	Chen et al.	.....	D14/240
6,776,345	B1	*	8/2004	Liang	.....	235/486
D520,503	S	*	5/2006	Shimizu	.....	D14/358
D562,814	S	*	2/2008	Liu et al.	.....	D14/240
D567,808	S	*	4/2008	Kanne et al.	.....	D14/240
D580,422	S	*	11/2008	Lee	.....	D14/240
D595,703	S	*	7/2009	Ahlgren	.....	D14/240

D596,177	S	*	7/2009	Steele et al.	.....	D14/358
D597,087	S	*	7/2009	Herbst et al.	.....	D14/240
7,577,458	B2	*	8/2009	Lin	.....	455/550.1
D602,020	S	*	10/2009	Haspil et al.	.....	D14/358
D606,523	S	*	12/2009	Herbst et al.	.....	D14/240
D610,133	S	*	2/2010	Asano	.....	D14/240
7,717,342	B2	*	5/2010	Wang	.....	235/472.01
2003/0081377	A1	*	5/2003	Lin	.....	361/683
2007/0285320	A1	*	12/2007	Hayes et al.	.....	343/702

**OTHER PUBLICATIONS**

SX7T CDMA Premise Access Portal, Bradley Communication Systems, Inc, posting date not given, © 2006, [online], [site visited Feb. 28, 2011]. Available from Internet ,<URL:https://869789182725854870-a-braleycommunications-com-s-sites.googlegroups.com/a/braleycommunications.com/www/SX7T-CDMA.html?>.\*

\* cited by examiner

*Primary Examiner* — Jeff D Asch

(74) *Attorney, Agent, or Firm* — Kilpatrick Townsend & Stockton LLP

(57) **CLAIM**

The ornamental design for a telecommunications box, as shown and described.

**DESCRIPTION**

FIG. 1 is a top perspective view of a telecommunications box showing our new design;

FIG. 2 is a bottom perspective view thereof;

FIG. 3 is a front view thereof;

FIG. 4 is a back view thereof;

FIG. 5 is a right side view thereof;

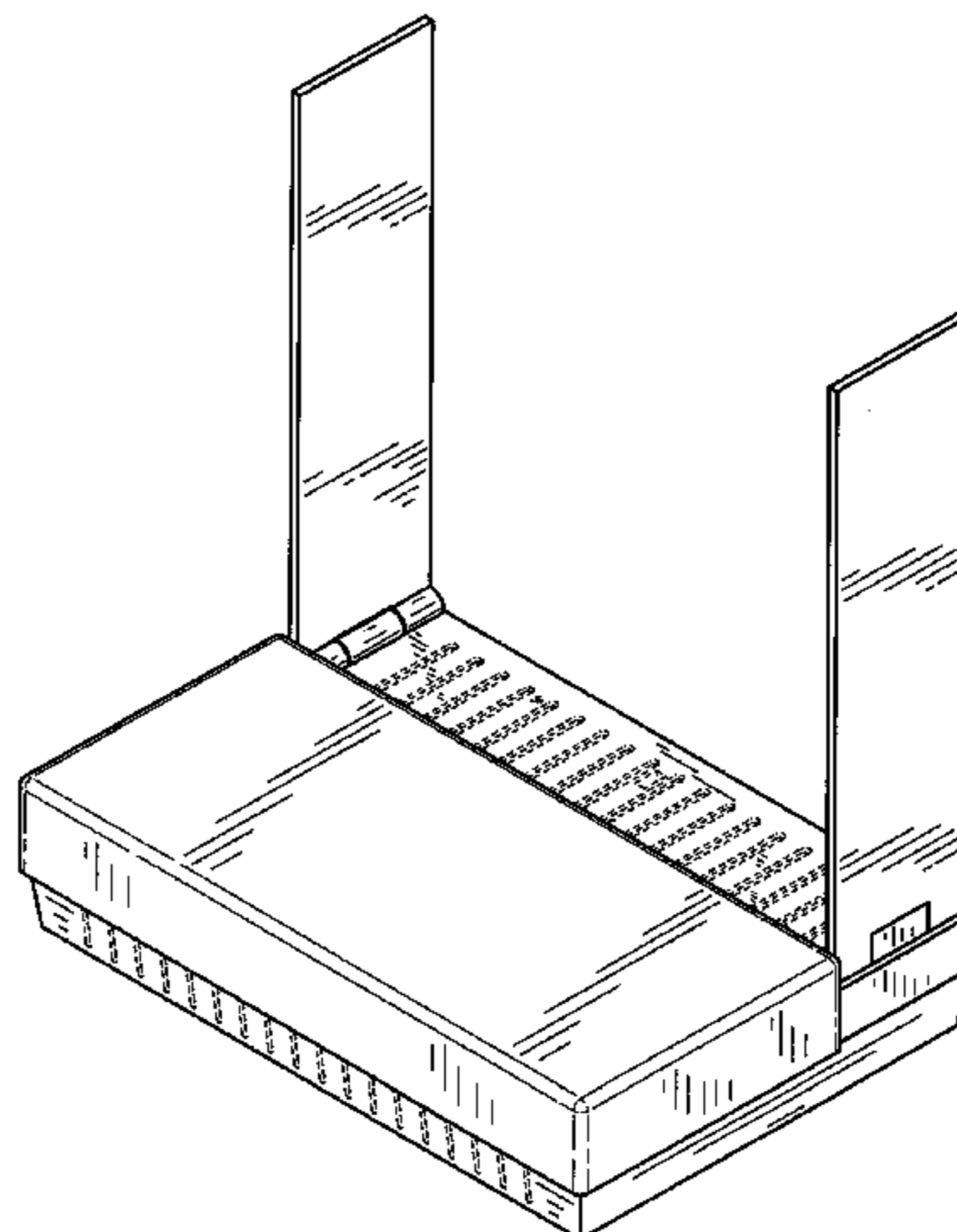
FIG. 6 is a left side view thereof;

FIG. 7 is a top view thereof; and,

FIG. 8 is a bottom view thereof.

The broken lines shown throughout the views, which are immediately adjacent to the claimed surfaces, represent the bounds of the claimed design, while all other broken lines are directed to environment and are for illustrative purposes only; the broken lines form no part of the claimed design.

**1 Claim, 8 Drawing Sheets**



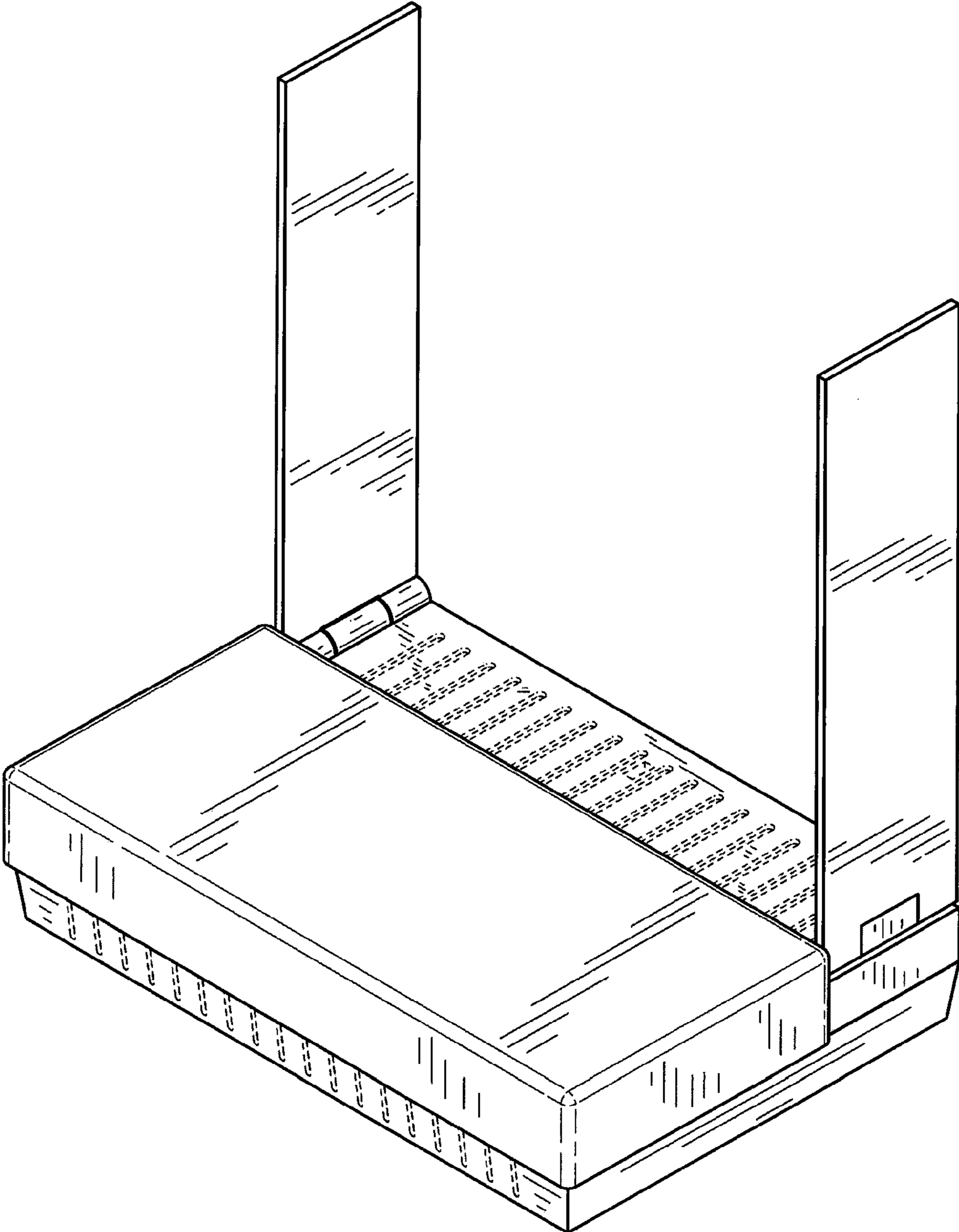


FIG. 1

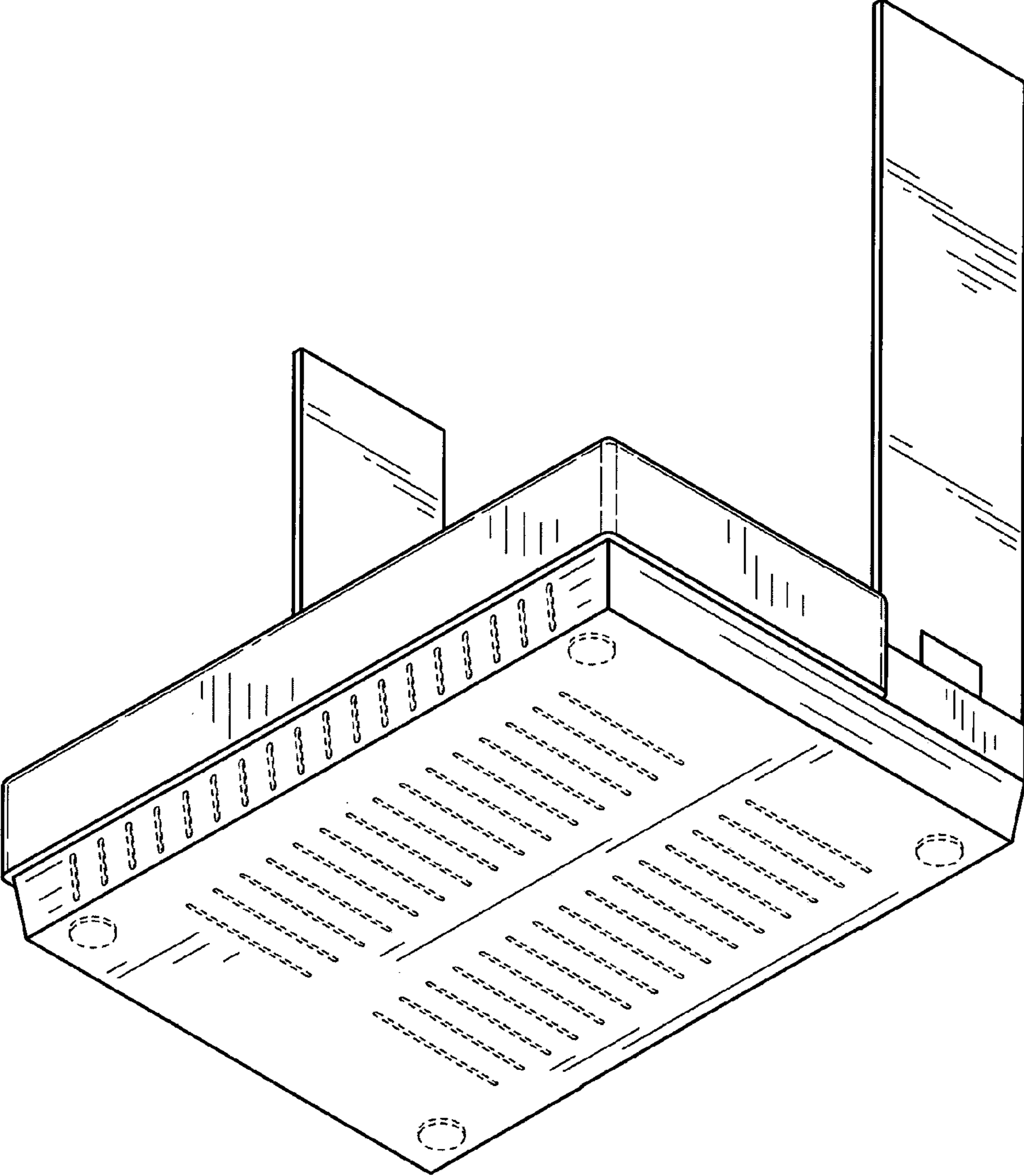


FIG.2

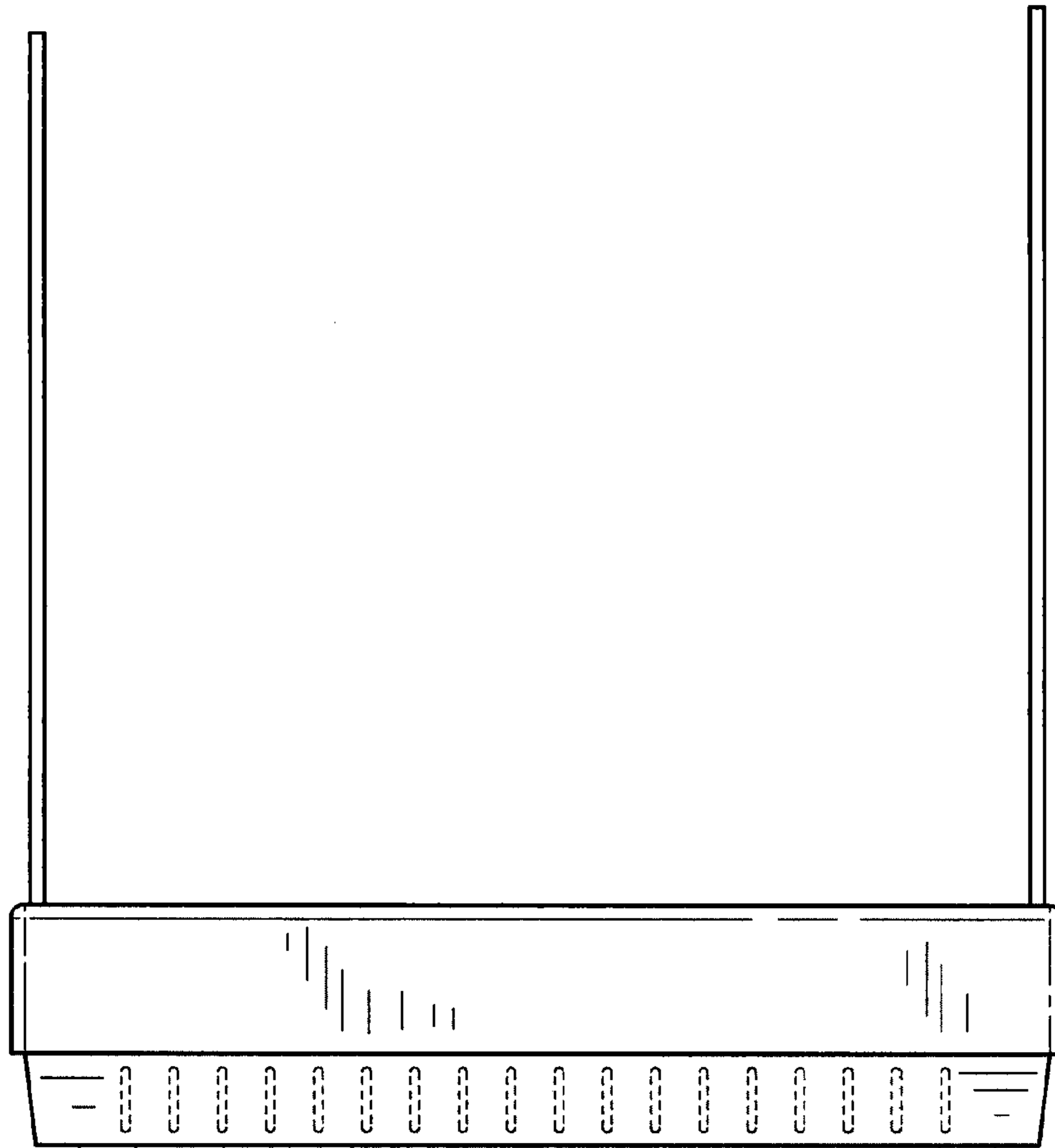


FIG.3

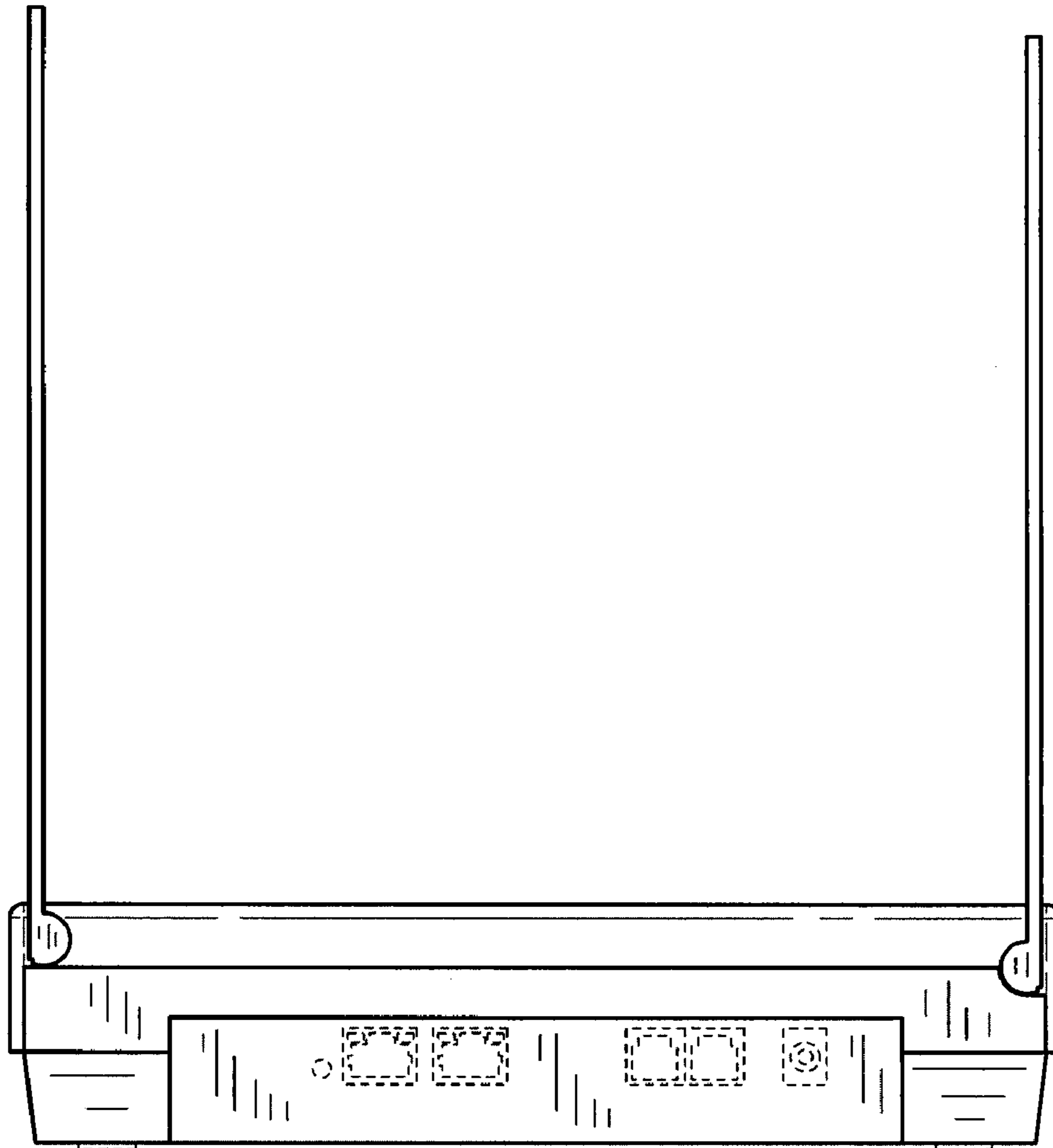


FIG.4

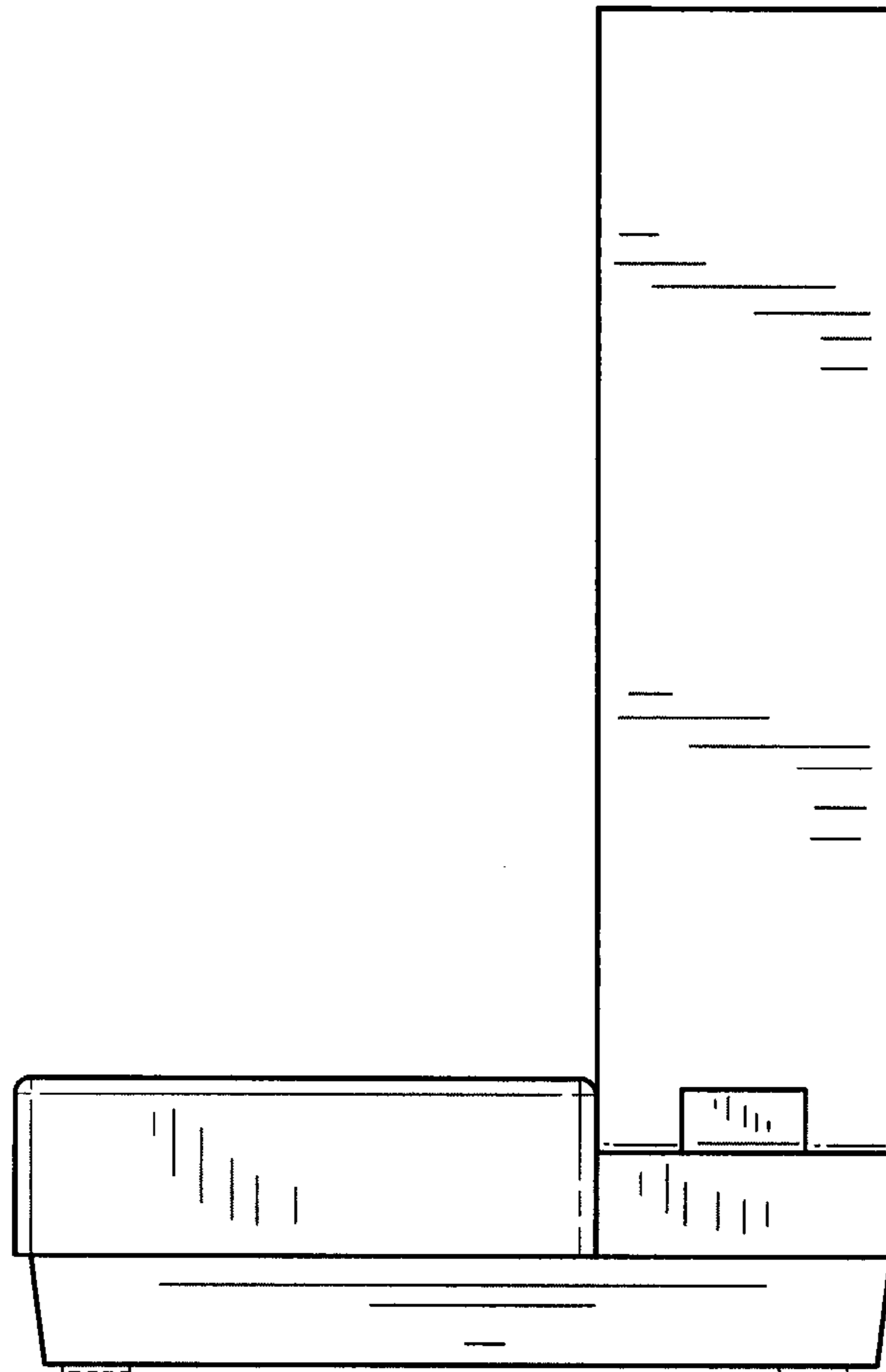


FIG.5

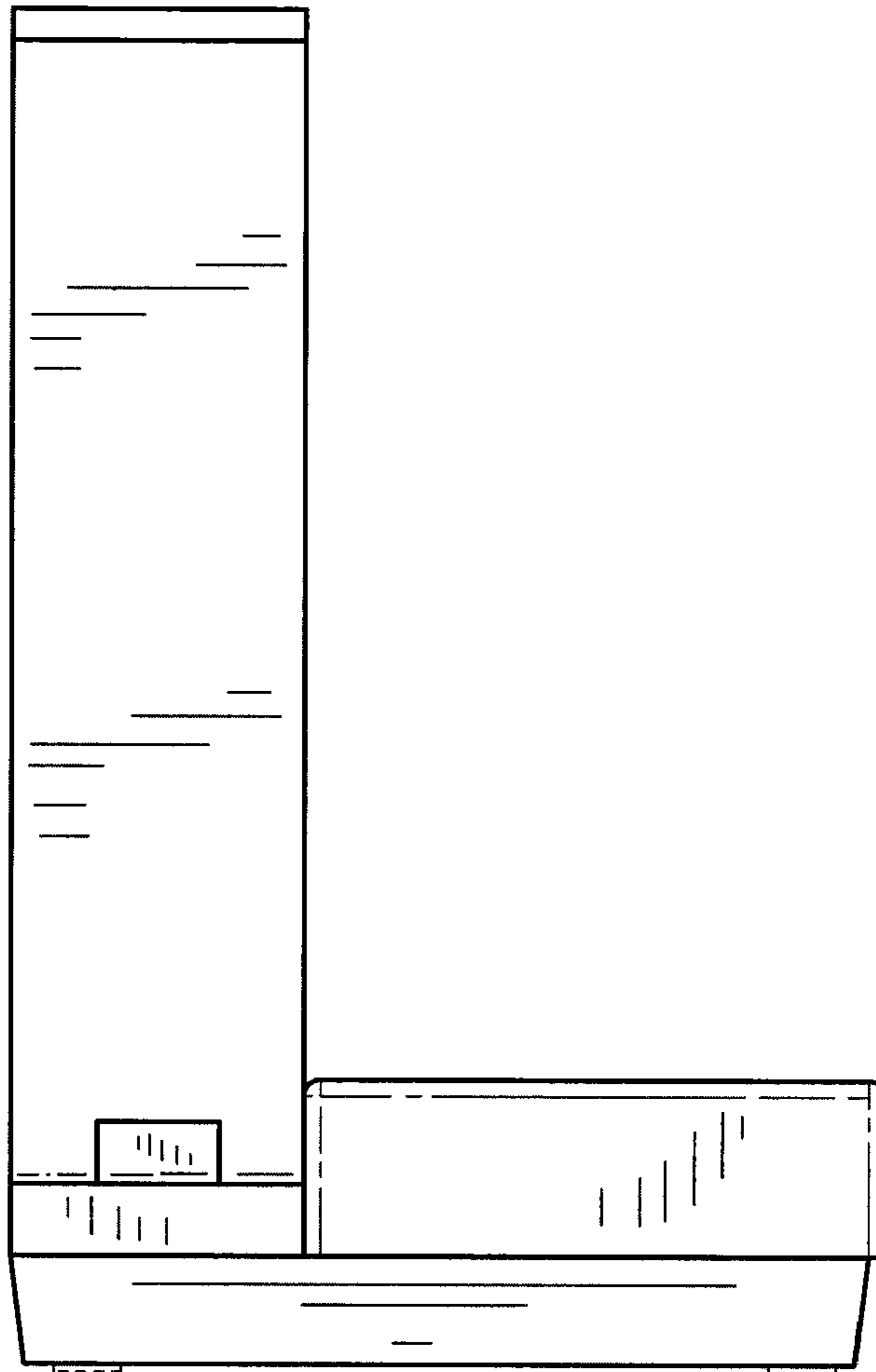


FIG.6

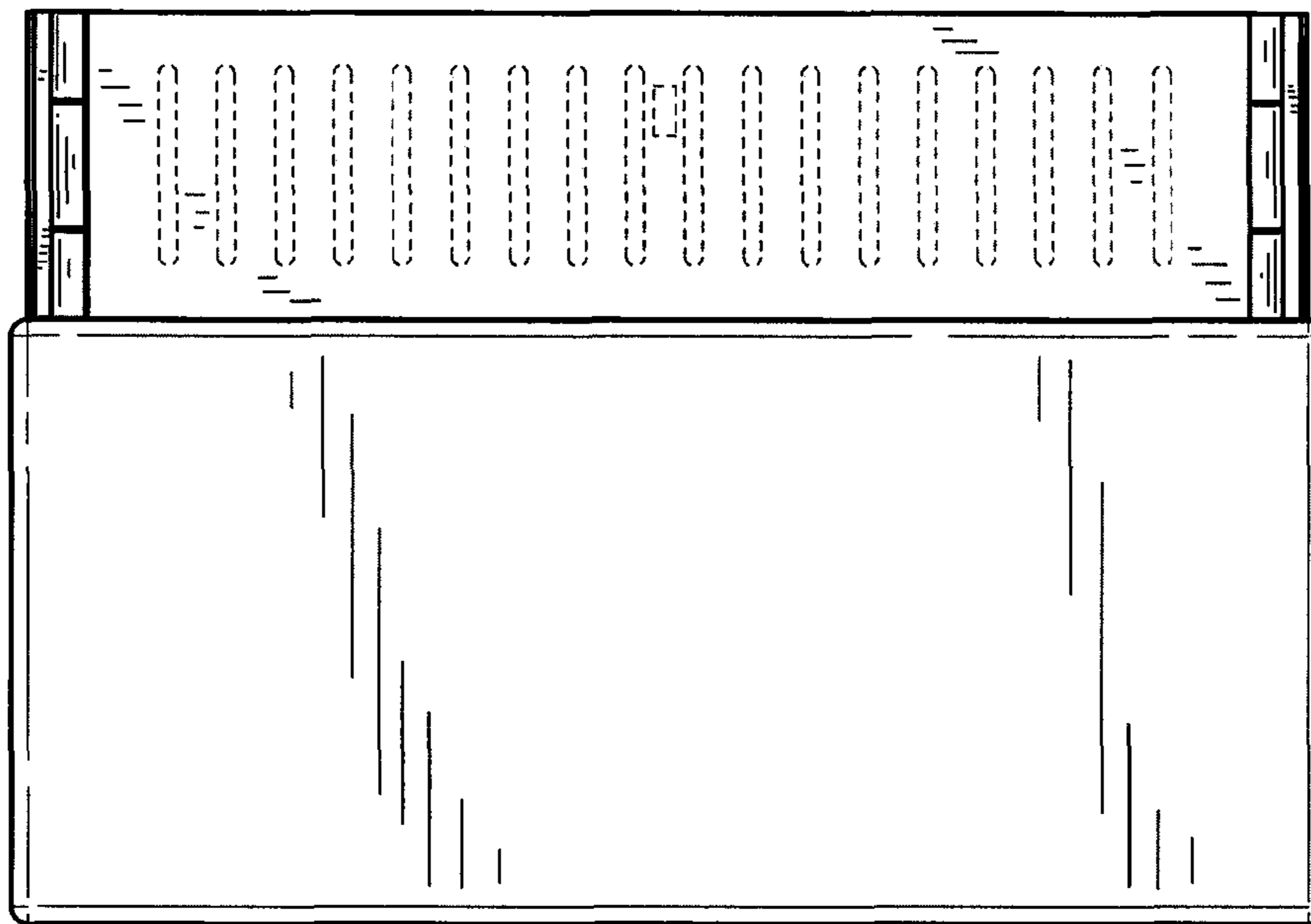


FIG.7



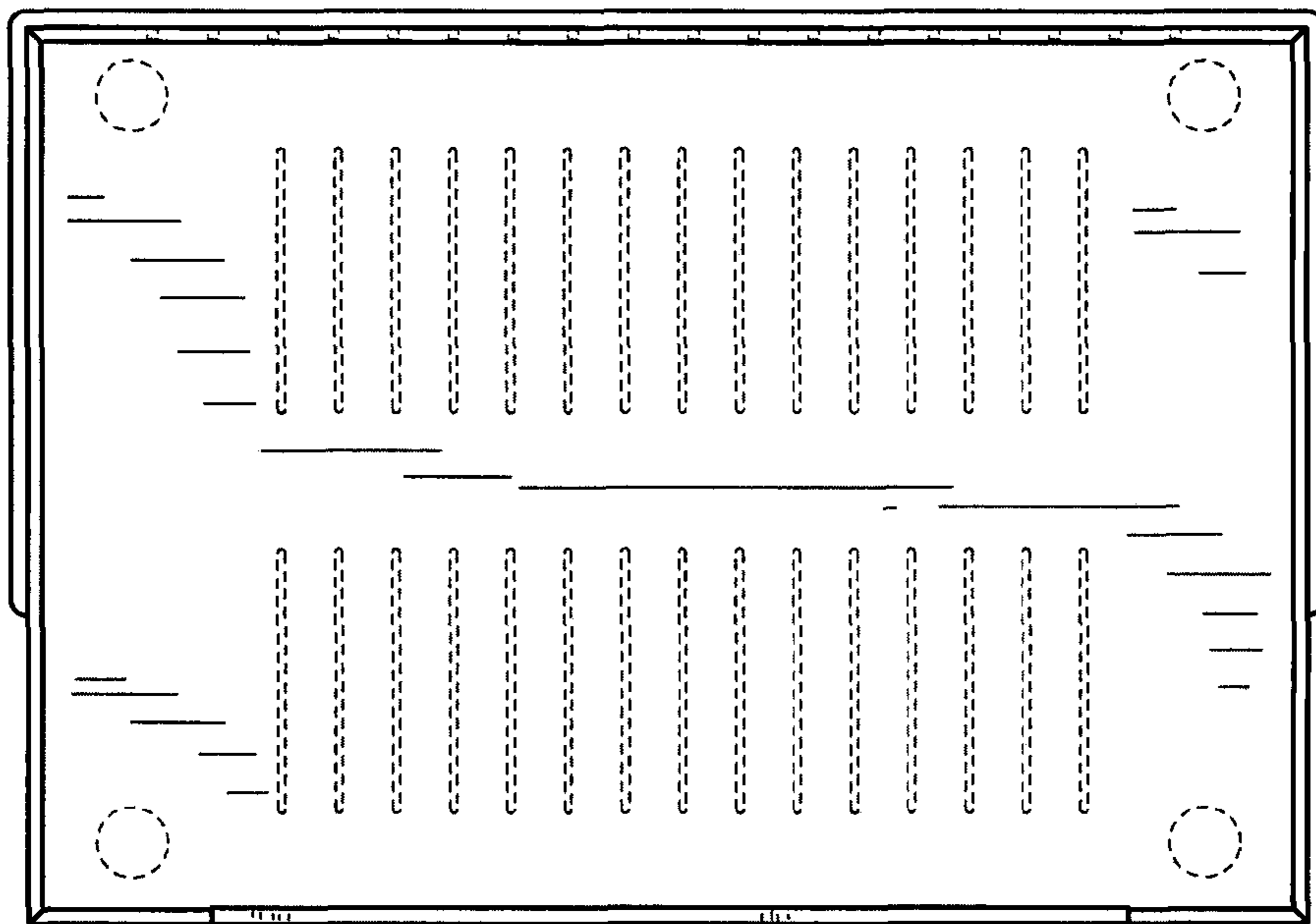


FIG.8