



US00D642165S

(12) **United States Design Patent**
Kyriakides et al.

(10) **Patent No.:** **US D642,165 S**

(45) **Date of Patent:** **** Jul. 26, 2011**

(54) **DUAL-PORT VOIP ANALOG TELEPHONE DEVICE**

(76) Inventors: **Anastasios Nicholas Kyriakides**,
Hollywood, FL (US); **Anastasios Nicholas Kyriakides, II**, Plantation, FL (US); **Kenneth Hosfeld**, Coral Springs, FL (US); **Peter C. Kyriakides**, Hollywood, FL (US)

(**) Term: **14 Years**

(21) Appl. No.: **29/358,965**

(22) Filed: **Apr. 2, 2010**

(51) **LOC (9) Cl.** **14-03**

(52) **U.S. Cl.** **D14/240**

(58) **Field of Classification Search** D14/240–242,
D14/356–358, 140.1–140.6, 140, 155, 159,
D14/141.1–141.3, 137, 149, 150, 349, 351,
D14/348, 353–355, 170–171, 225, 217, 125,
D14/352, 363, 370, 411, 433, 435.1, 436,
D14/188, 196; D13/184, 133, 152, 147;
455/550.1; 361/679.4, 679.56, 679.03, 679.26;
340/7.54; 439/717, 131, 135–147; 370/315,
370/352; 375/311; 710/300, 301

See application file for complete search history.

(56) **References Cited**

U.S. PATENT DOCUMENTS

D312,070	S	*	11/1990	Benjamin et al.	D13/147
D337,757	S	*	7/1993	Wu	D13/184
D351,841	S	*	10/1994	Blankenship et al.	D14/242
5,391,095	A	*	2/1995	Born	439/676
D418,481	S	*	1/2000	Lin	D13/152
D425,022	S	*	5/2000	Jaag et al.	D13/133
D443,859	S	*	6/2001	Hogan	D13/133
D454,873	S	*	3/2002	Clark et al.	D14/358
D461,453	S	*	8/2002	Chen	D13/147
D480,688	S	*	10/2003	Lin	D13/147
D503,384	S	*	3/2005	Weatherley	D13/147
D535,993	S	*	1/2007	Ueda	D14/480.7
7,249,959	B2	*	7/2007	Pettersson et al.	439/142
D558,763	S	*	1/2008	Morganstern et al.	D14/480.7

D566,710	S	*	4/2008	Chun et al.	D14/358
D575,775	S	*	8/2008	Sekine	D14/242
D593,082	S	*	5/2009	Jeon	D14/240
D601,152	S	*	9/2009	Moshes et al.	D14/480.7
D603,864	S	*	11/2009	Borislow	D14/435.1
D611,944	S	*	3/2010	Kujawski et al.	D14/435.1
D625,730	S	*	10/2010	Cacioppo et al.	D14/435.1
2007/0105418	A1	*	5/2007	Fu et al.	439/136
2009/0141708	A1	*	6/2009	Rodriguez et al.	370/352
2010/0254374	A1	*	10/2010	Fortier	370/352

OTHER PUBLICATIONS

External USB Modem, alibaba.com, posting date not given, [online], [site visited Feb. 28, 2011]. Available from Internet ,<URL: http://www.alibaba.com/product-gs/238561187/External_USB_Modem.html>.*

56k External USB Modem, traderscity.com, Posted on: Thu Nov. 6, 2008 8:23 am, [online], [site visited Feb. 28, 2011]. Available from Internet ,<URL: http://www.traderscity.com/board/products-1/offers-to-sell-and-export-1/56k-external-usb-modem-32801/>.*

* cited by examiner

Primary Examiner — Jeff D Asch

(74) *Attorney, Agent, or Firm* — Malin Haley DiMaggio Bowen & Lhota, P.A.

(57) **CLAIM**

The ornamental design for a dual-port VOIP analog telephone device, as shown and described.

DESCRIPTION

FIG. 1 is a top, rear perspective view of the present invention, showing the dual-port analog telephone device of the new design;

FIG. 2 is a top, front perspective view thereof;

FIG. 3 is a left side elevational view thereof;

FIG. 4 is a right side elevational view thereof;

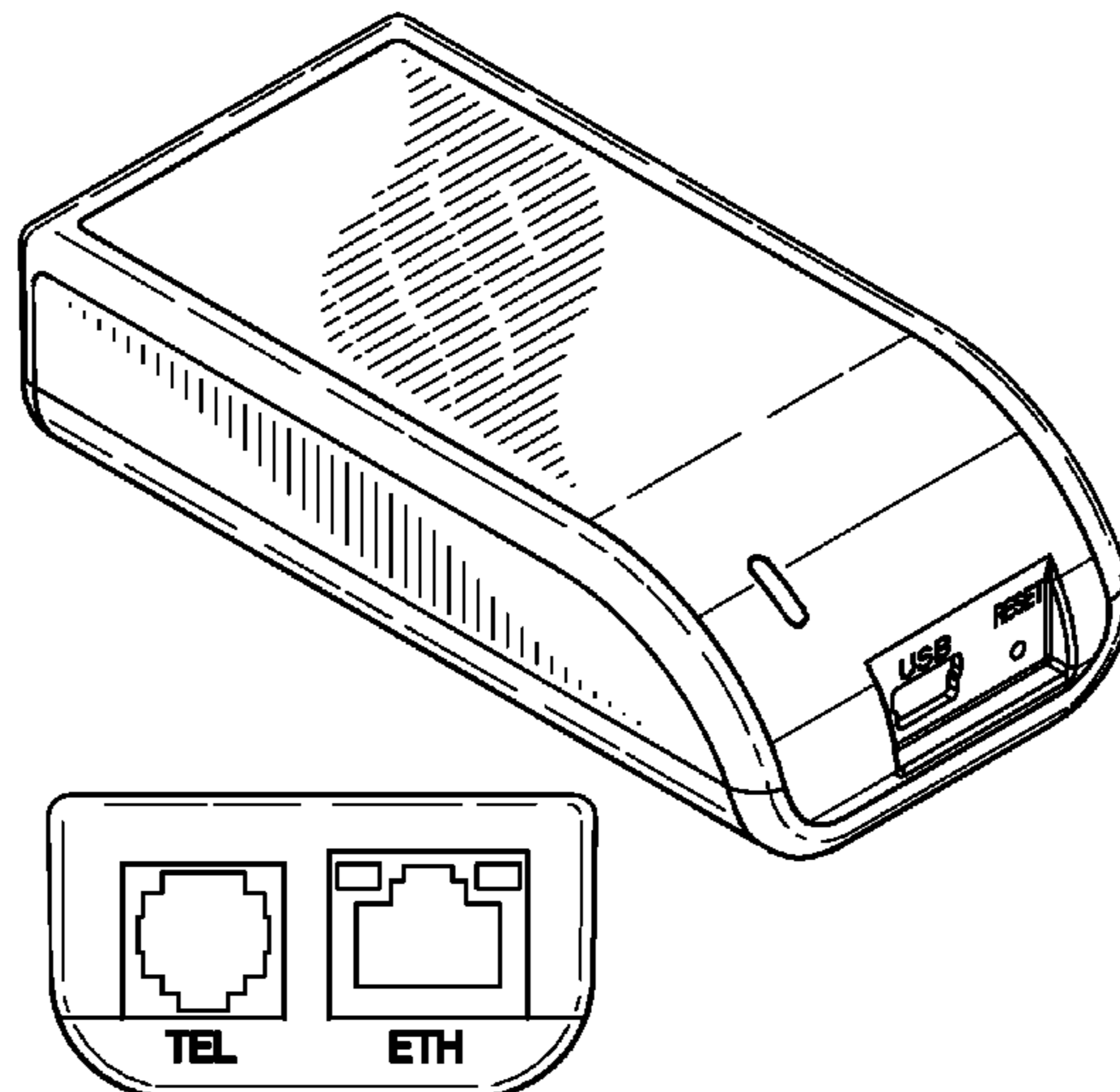
FIG. 5 is a front elevational view thereof;

FIG. 6 is a rear elevational view thereof;

FIG. 7 is a top plan view thereof; and,

FIG. 8 is a bottom plan view thereof.

1 Claim, 3 Drawing Sheets



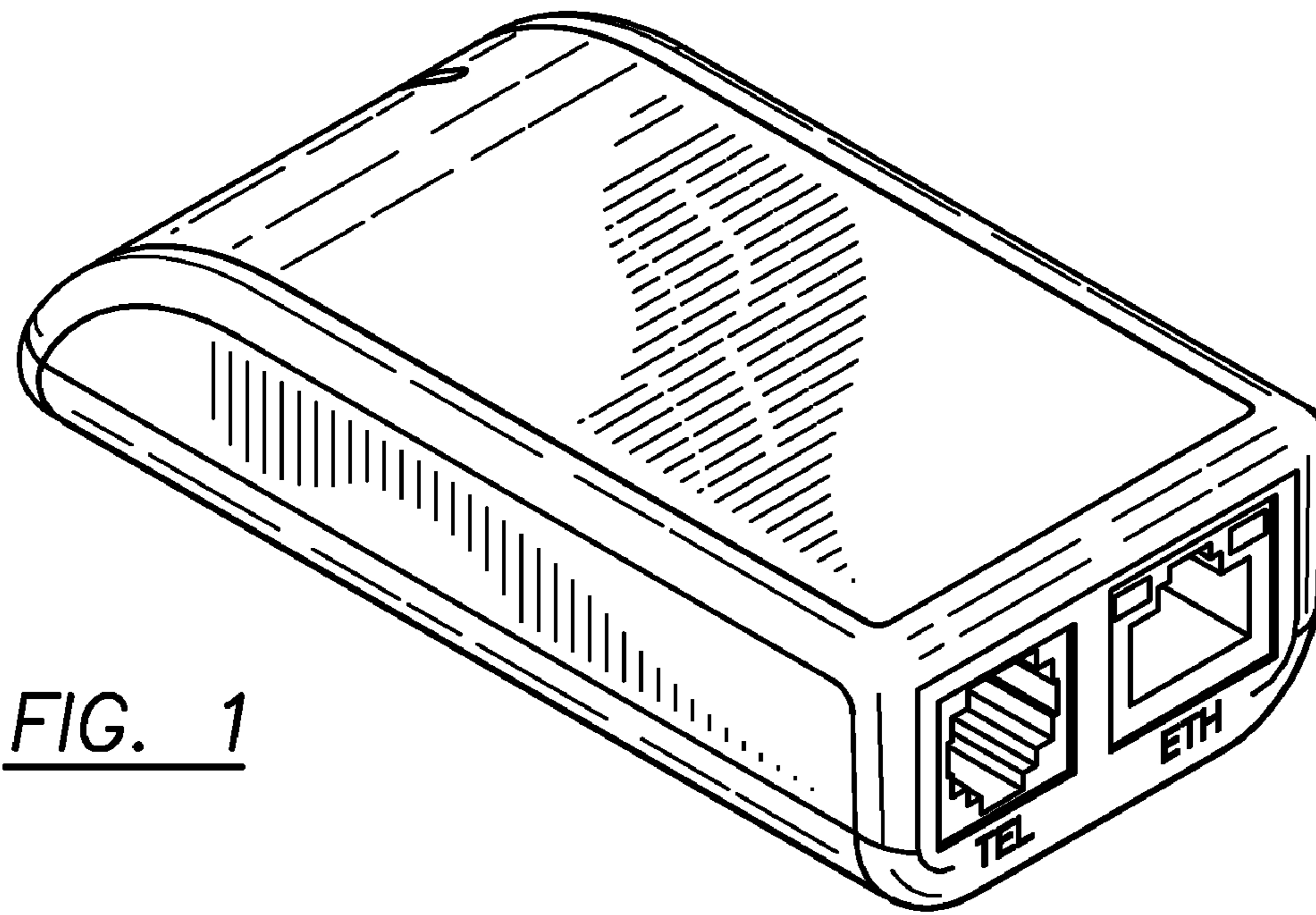


FIG. 1

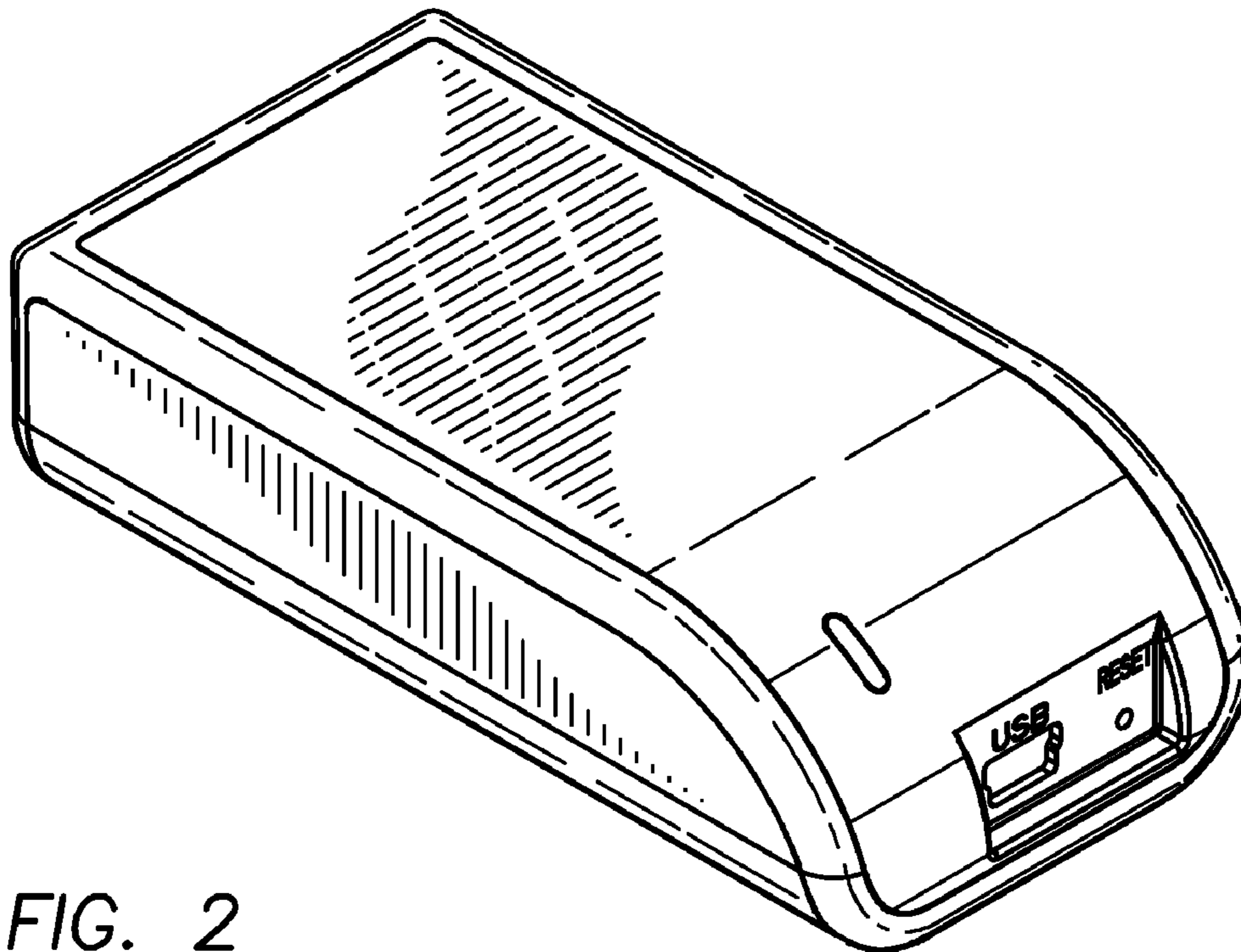


FIG. 2

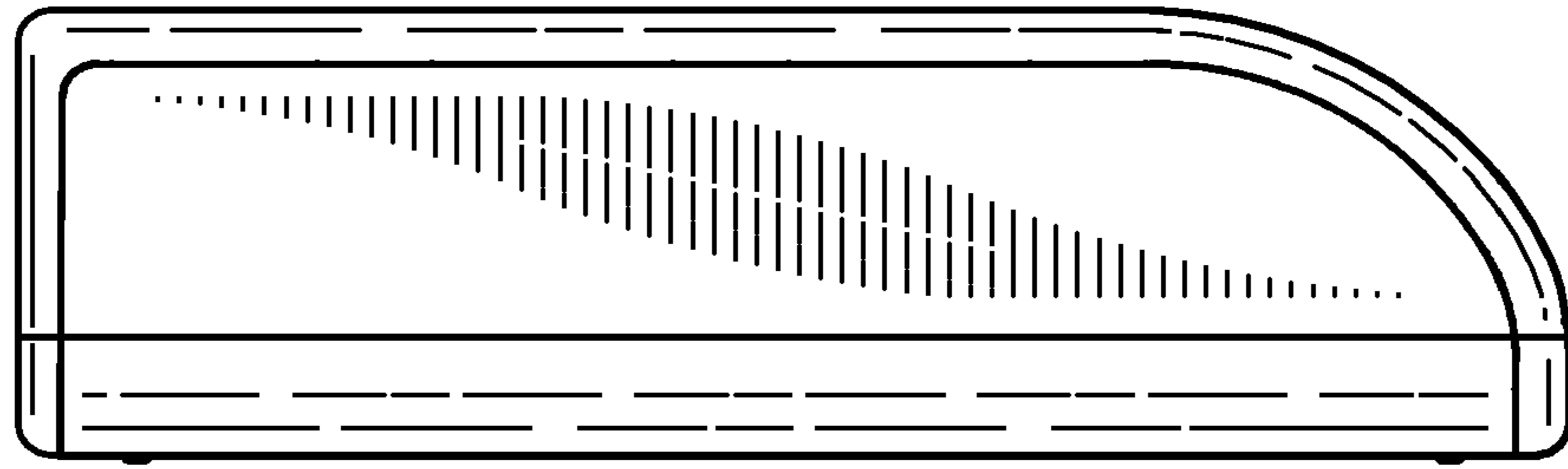


FIG. 3

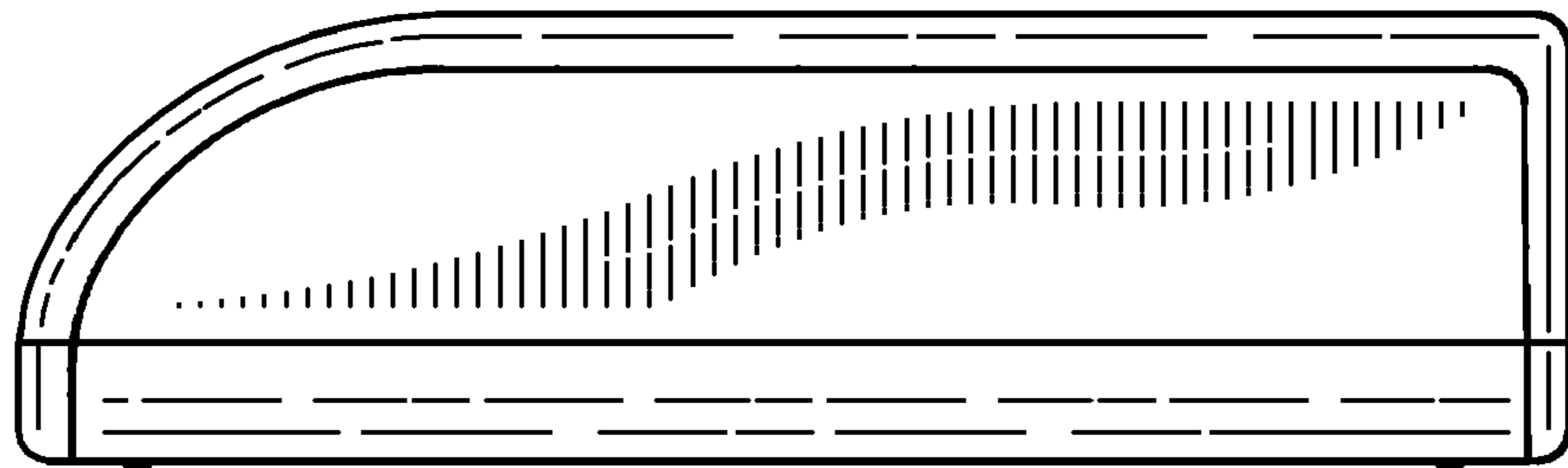


FIG. 4

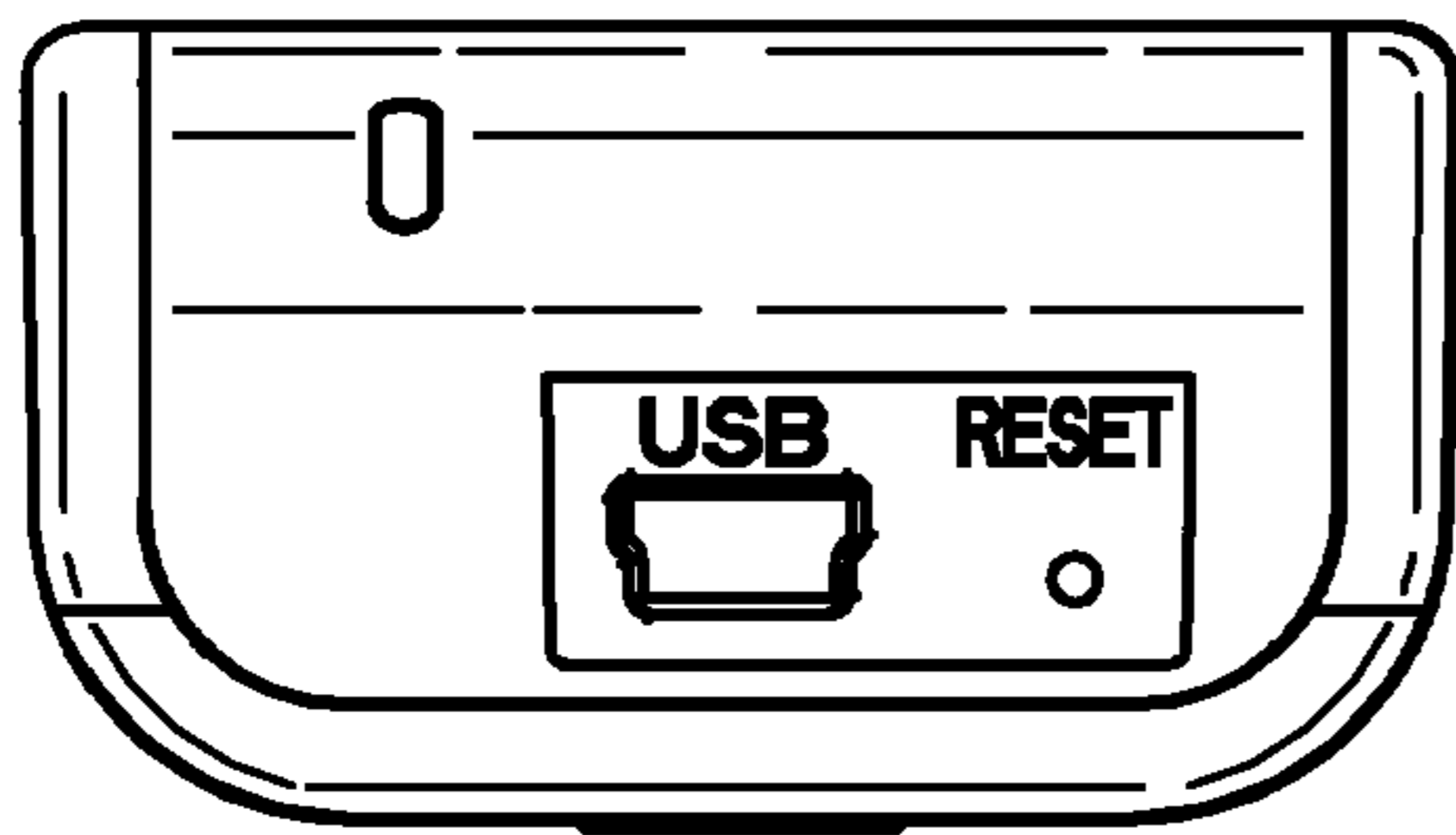


FIG. 5

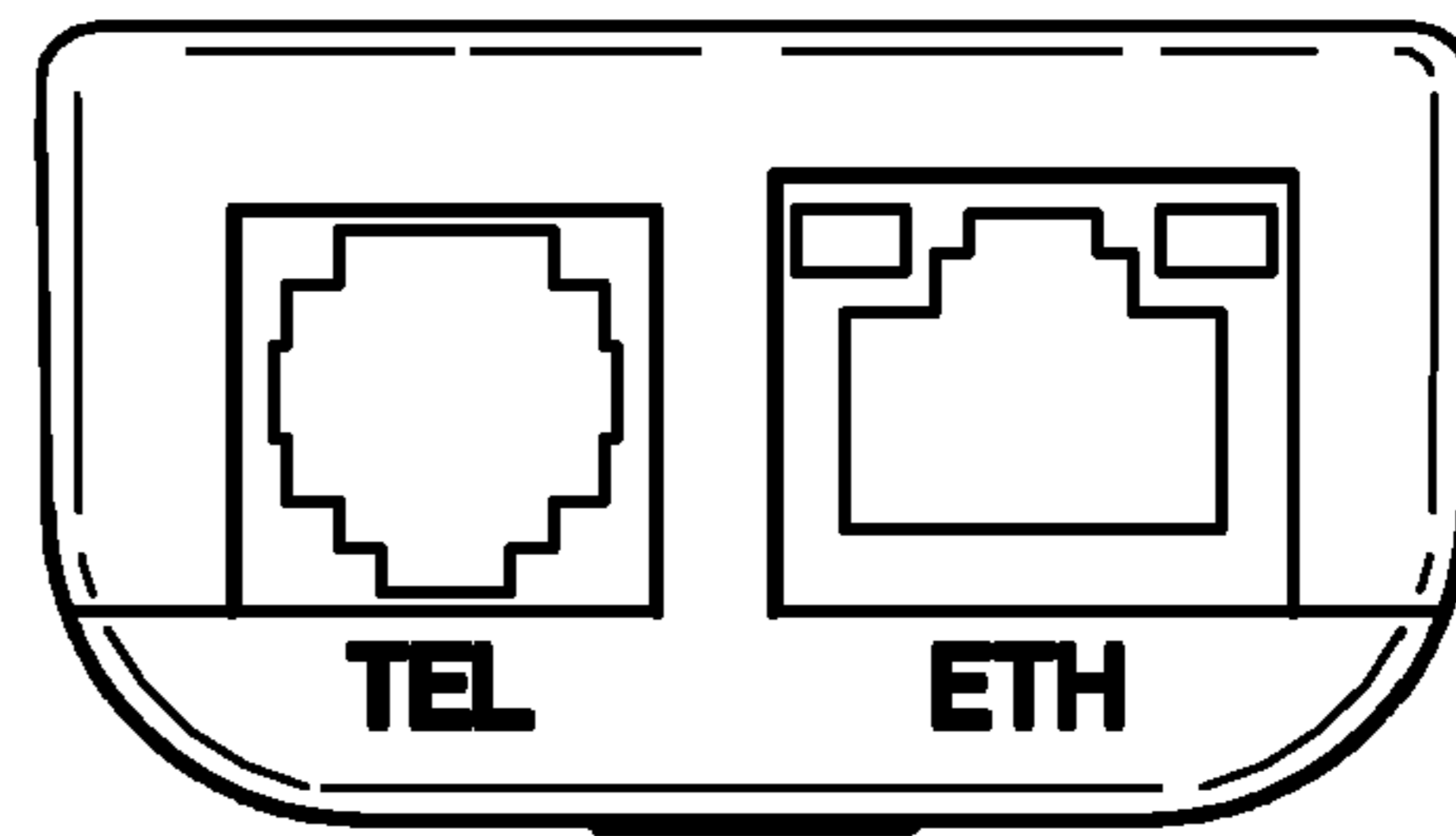


FIG. 6

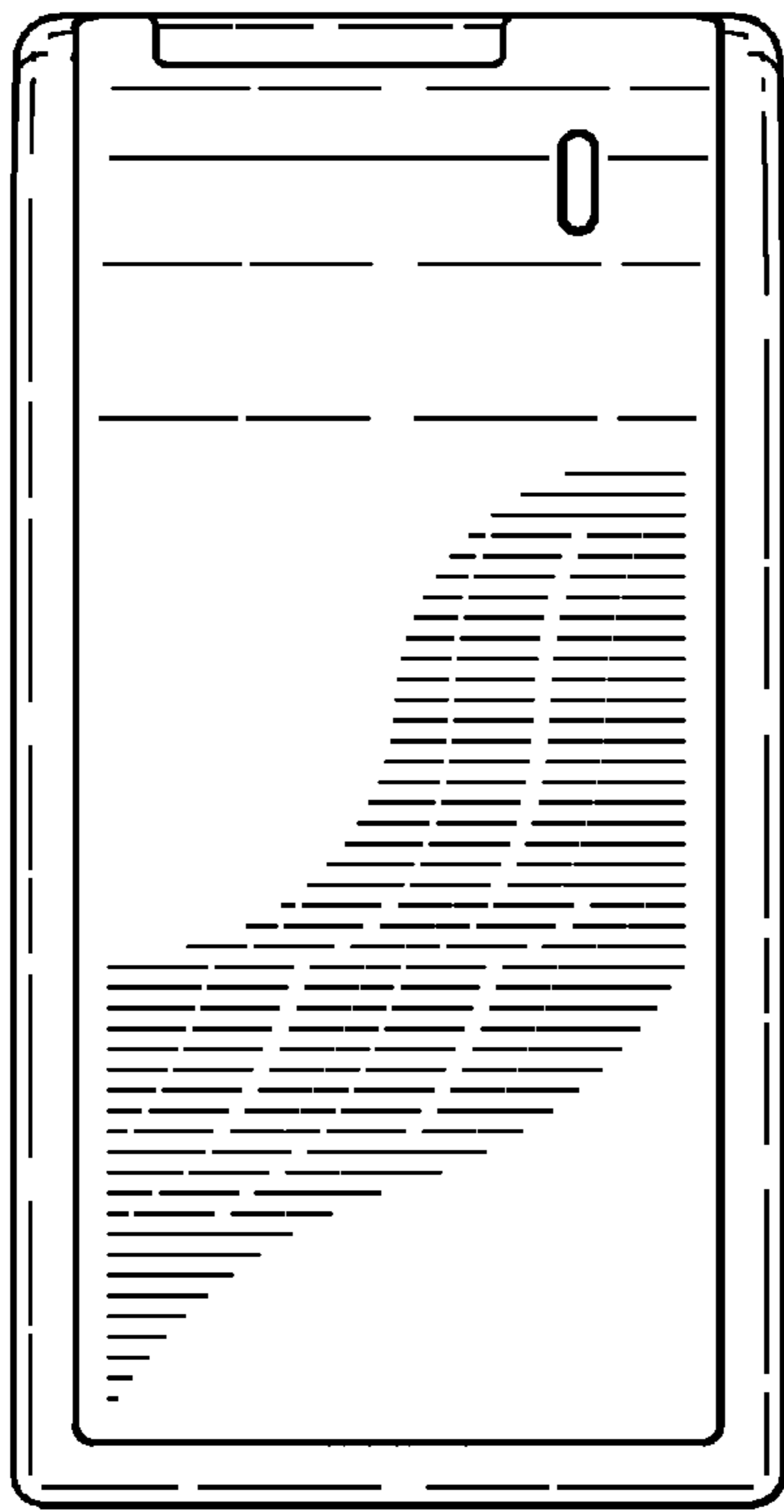


FIG. 7

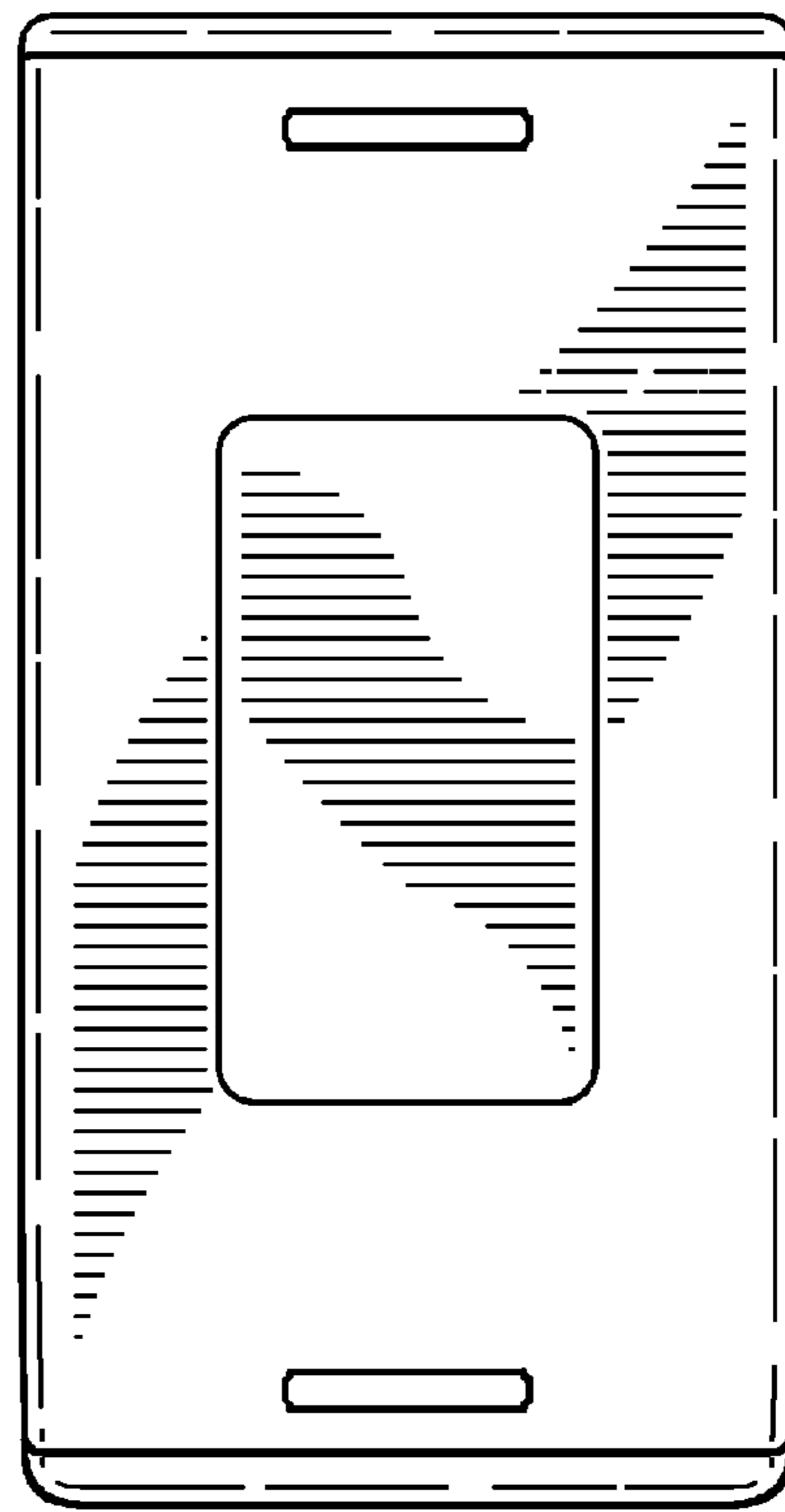


FIG. 8