



US00D642164S

(12) **United States Design Patent**
Liner

(10) **Patent No.:** **US D642,164 S**
(45) **Date of Patent:** **** Jul. 26, 2011**

- (54) **HOLDER FOR A HEADSET**
- (75) Inventor: **Lina Ester Liner**, Helsinki (FI)
- (73) Assignee: **Nokia Corporation**, Espoo (FI)
- (**) Term: **14 Years**
- (21) Appl. No.: **29/368,468**
- (22) Filed: **Aug. 24, 2010**
- (51) **LOC (9) Cl.** **14-01**
- (52) **U.S. Cl.** **D14/229; D14/223**
- (58) **Field of Classification Search** D14/205,
D14/206, 223, 217, 203.1, 203.5, 203.8, 224,
D14/229, 253; D3/201, 208, 218, 215; D13/103,
D13/108; D8/394; D27/186, 194; 379/420.02,
379/420.04; 381/385; 24/3.12; 248/309.1,
248/311.2, 316.7, 313; 455/90.3; 206/457;
150/111; 190/110
See application file for complete search history.

(56) **References Cited**

U.S. PATENT DOCUMENTS

D168,131	S *	11/1952	Touart	D27/186
D193,678	S *	9/1962	Goldman	D3/228
3,631,994	A *	1/1972	Mackzum, Jr.	224/669
4,046,295	A *	9/1977	Eichler	224/242
4,598,027	A *	7/1986	Johnson	428/542.8
D300,989	S *	5/1989	Kovach	D3/221
D311,672	S *	10/1990	Johnson	D8/71
D311,919	S *	11/1990	Klaczak et al.	D14/256
D318,569	S *	7/1991	Schaefer	D3/218
D321,885	S *	11/1991	Sheldrake	D14/253
5,081,709	A *	1/1992	Benyo et al.	455/348
D329,749	S *	9/1992	Scheid	D3/218
D339,690	S *	9/1993	Takahashi et al.	D3/218
D345,053	S *	3/1994	Gomez et al.	D3/218
D348,355	S *	7/1994	Scheid et al.	D3/218
D351,280	S *	10/1994	Pennington et al.	D3/218
D366,957	S *	2/1996	Scheid et al.	D3/218
5,488,759	A *	2/1996	Lim et al.	24/3.12
D368,582	S *	4/1996	King et al.	D3/218
D369,465	S *	5/1996	Scheid et al.	D3/218

D370,658	S *	6/1996	Siddoway et al.	D13/108
D372,455	S *	8/1996	Tiefenthal et al.	D13/108
5,598,926	A *	2/1997	Vogt	206/457
D392,097	S *	3/1998	Pottala et al.	D3/218
6,141,417	A *	10/2000	Lopez et al.	379/446
6,311,881	B1 *	11/2001	Kamiya	224/195
D457,308	S *	5/2002	Infanti	D3/218
D465,646	S *	11/2002	Hendrickson	D3/218
D467,068	S *	12/2002	Lewis et al.	D3/215
D482,674	S *	11/2003	Rath et al.	D14/206
6,665,524	B1 *	12/2003	Niemann	455/575.6
D485,060	S *	1/2004	DeCotis	D3/215
D495,871	S *	9/2004	Moffitt et al.	D3/215
D499,544	S *	12/2004	Lodato et al.	D3/218
D500,022	S *	12/2004	Rath et al.	D14/206
D503,532	S *	4/2005	Andre et al.	D3/218
D515,310	S *	2/2006	Liu et al.	D3/218
D521,232	S *	5/2006	Andre et al.	D3/218
D532,005	S *	11/2006	Leith	D14/253
D545,812	S *	7/2007	Grady et al.	D14/217
D577,358	S	9/2008	Kettula et al.		

(Continued)

Primary Examiner — Paula Greene

(74) *Attorney, Agent, or Firm* — Banner & Witcoff, Ltd.

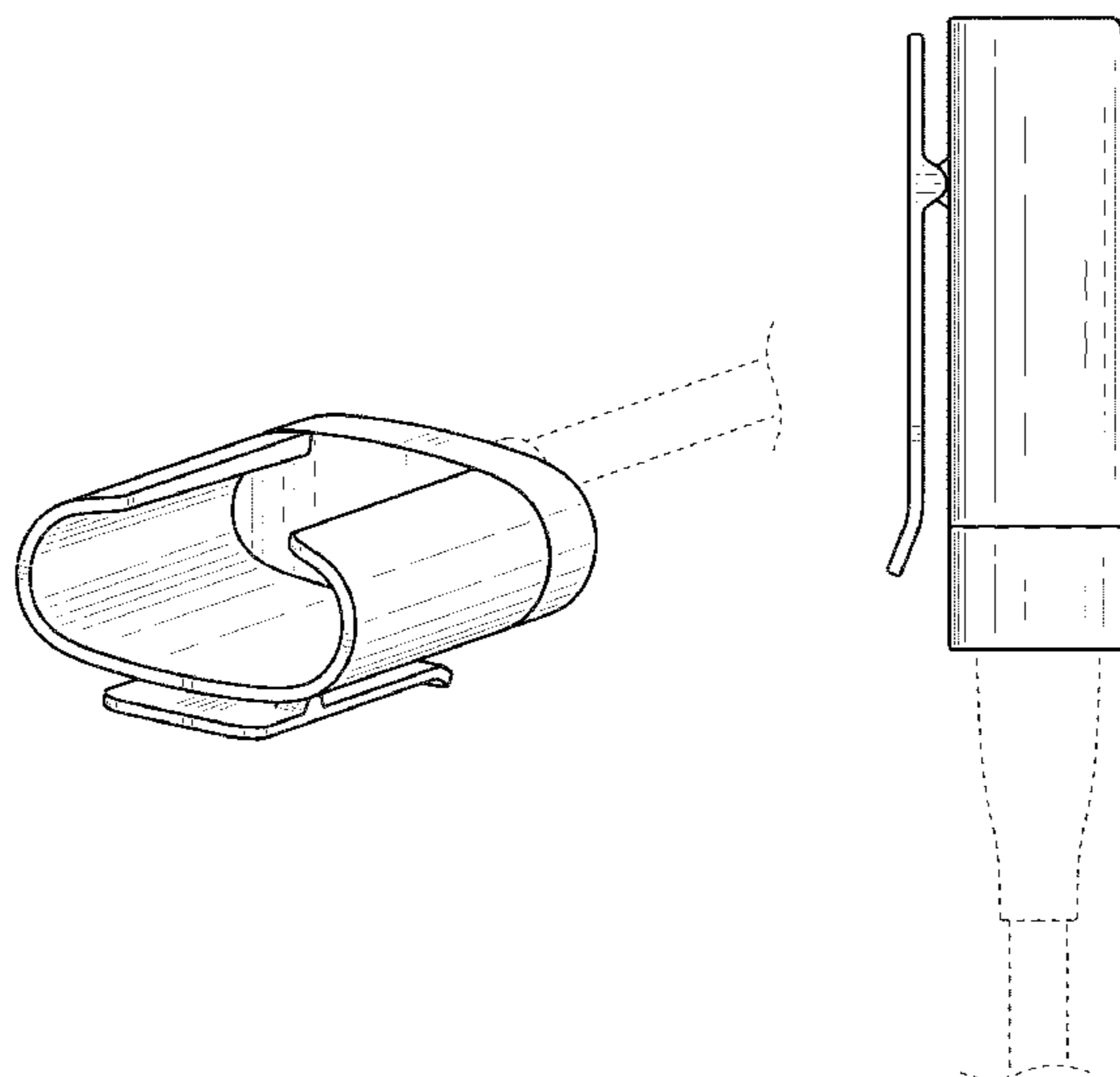
(57) **CLAIM**

The ornamental design for a holder for a headset, as shown and described.

DESCRIPTION

FIG. 1 is a perspective view of a holder for a headset showing my new design;
 FIG. 2 is a front view thereof;
 FIG. 3 is a rear view thereof;
 FIG. 4 is a left side view thereof;
 FIG. 5 is a right side thereof;
 FIG. 6 is a top view thereof; and,
 FIG. 7 is a bottom view thereof.
 The broken line showing the wire and connecting portion and the unshaded area, are for illustrative purposes only and form no part of the claimed design.

1 Claim, 4 Drawing Sheets



US D642,164 S

Page 2

U.S. PATENT DOCUMENTS

D587,682 S *	3/2009	Miles	D14/205	D602,913 S *	10/2009	Han et al.	D14/217
D596,172 S *	7/2009	Ahlqvist	D14/251	D605,645 S	12/2009	Kettula	
D597,939 S *	8/2009	Tkachuk	D13/108	D606,491 S	12/2009	Rosen	
D601,549 S *	10/2009	Kang et al.	D14/223	D618,454 S *	6/2010	Vogias	D3/215
D602,008 S *	10/2009	Bentley et al.	D14/224				

* cited by examiner

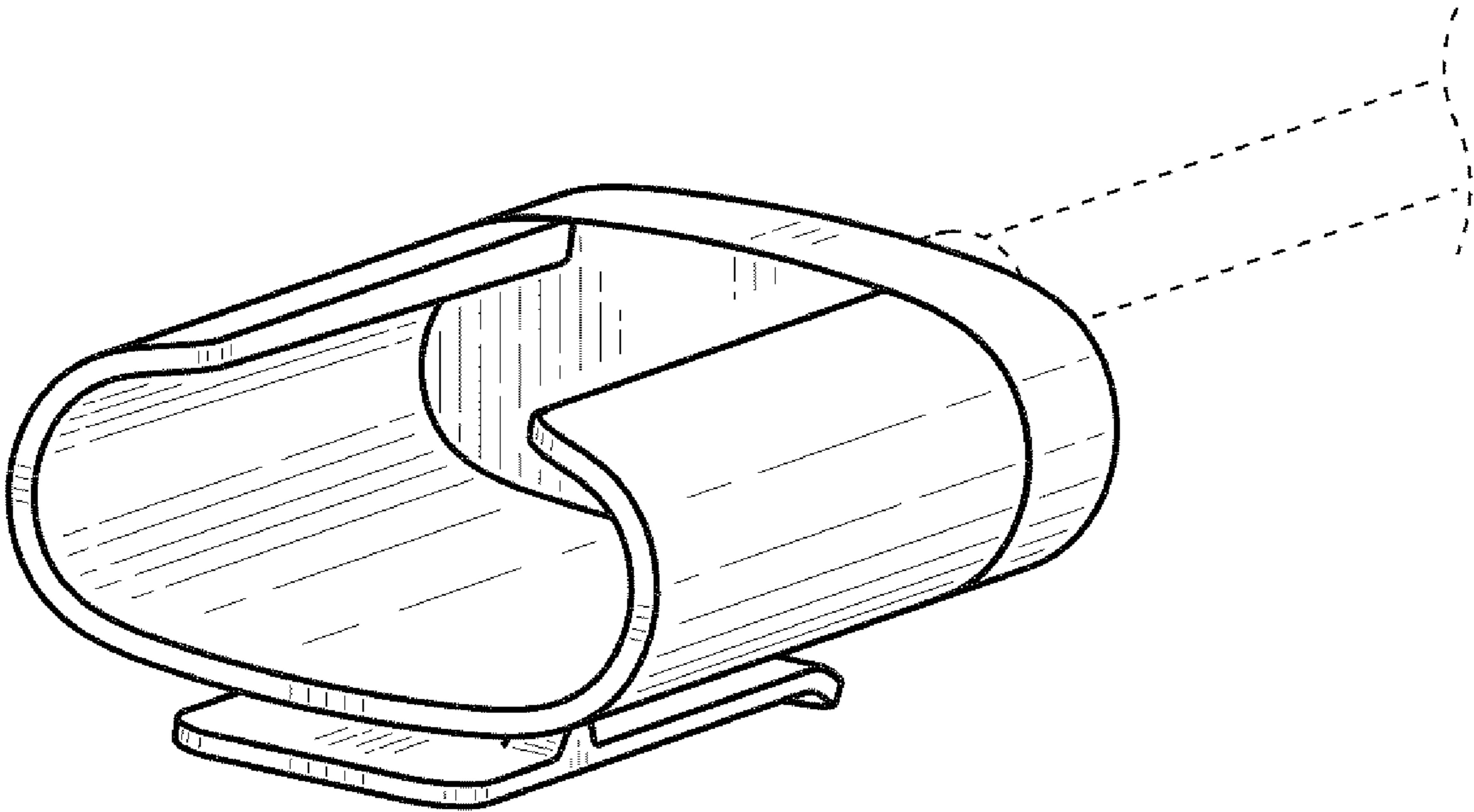


FIG.1

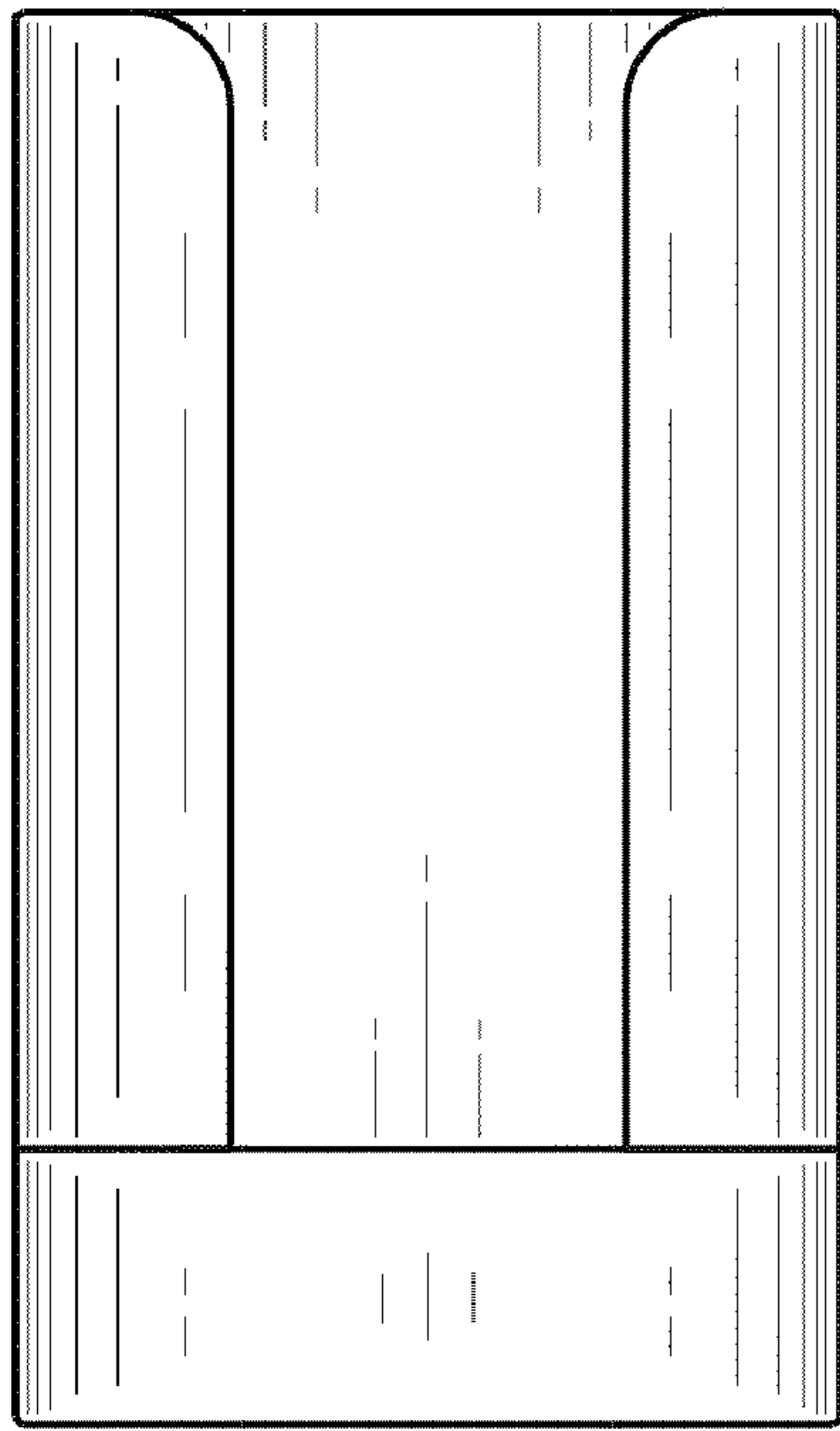


FIG.2

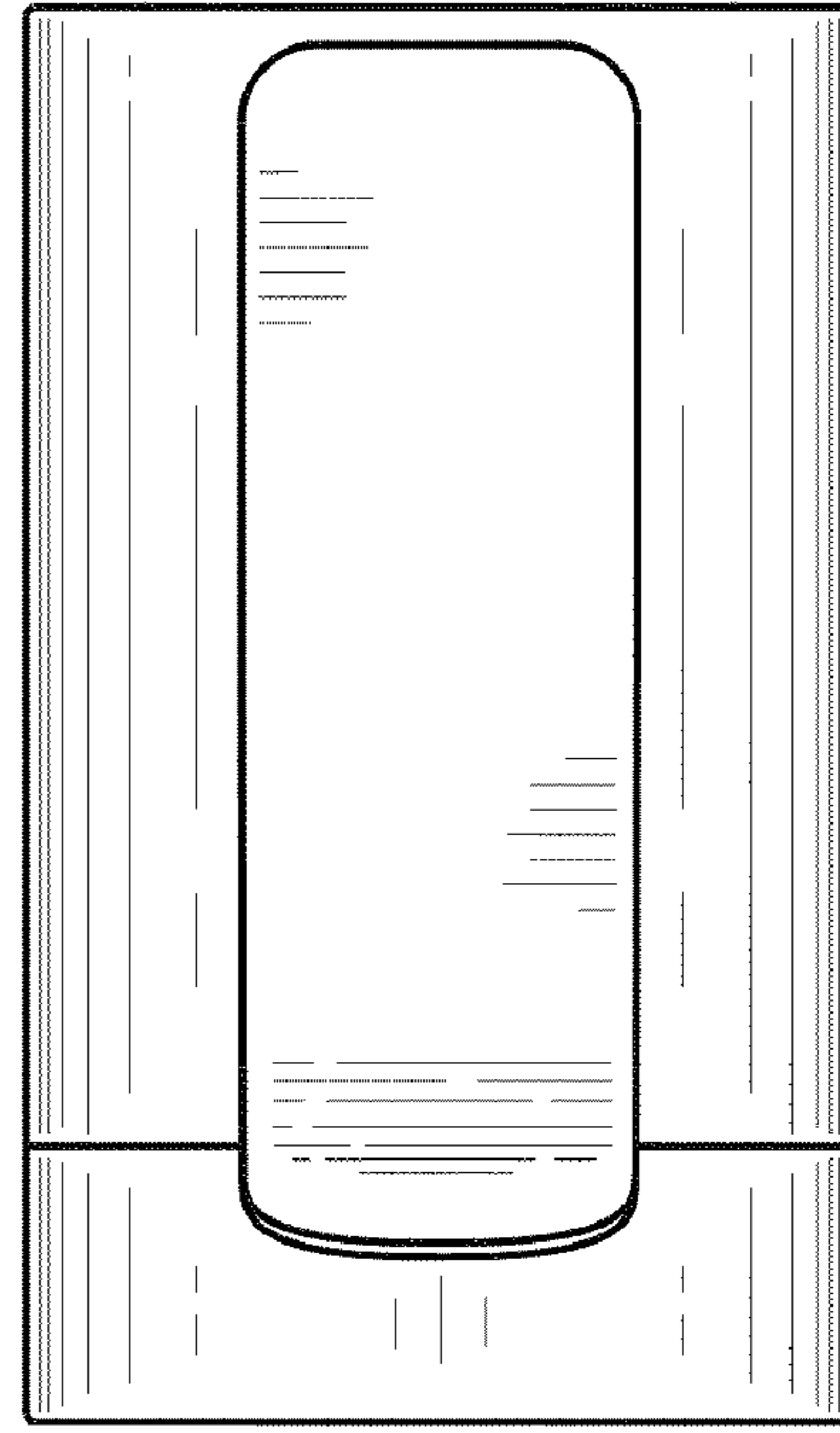


FIG.3

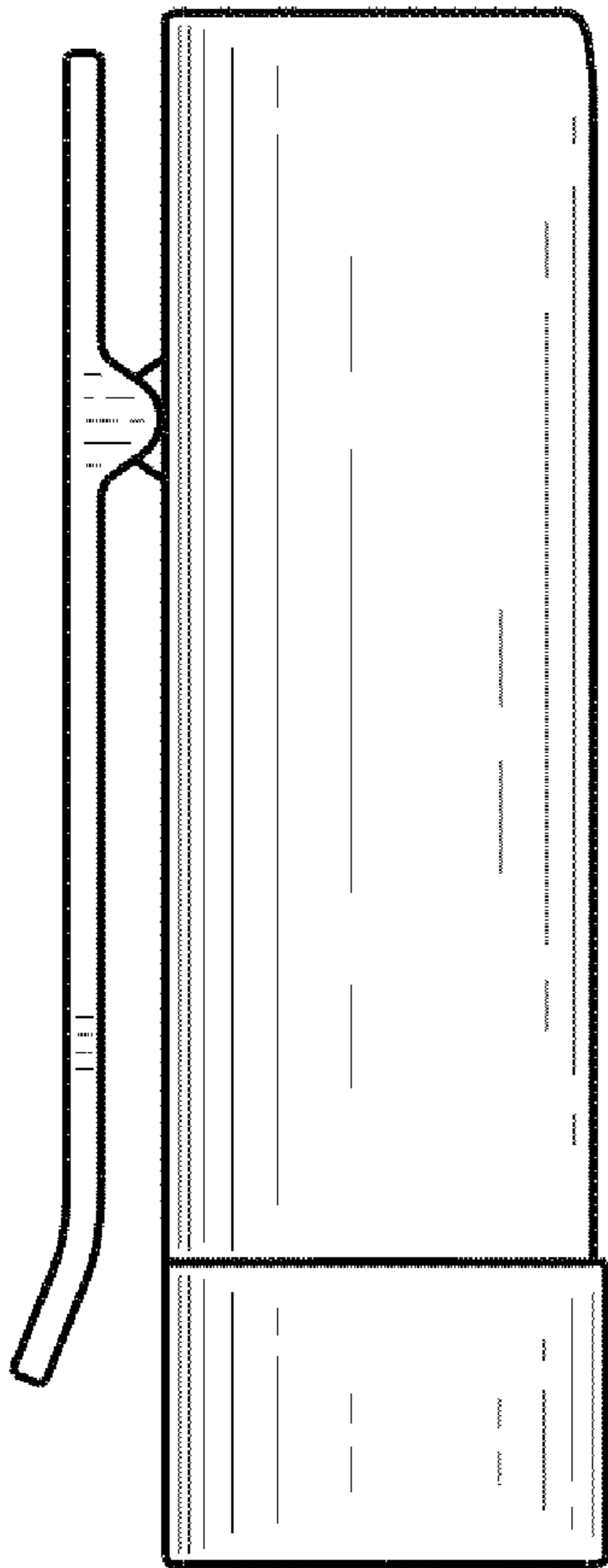


FIG.4

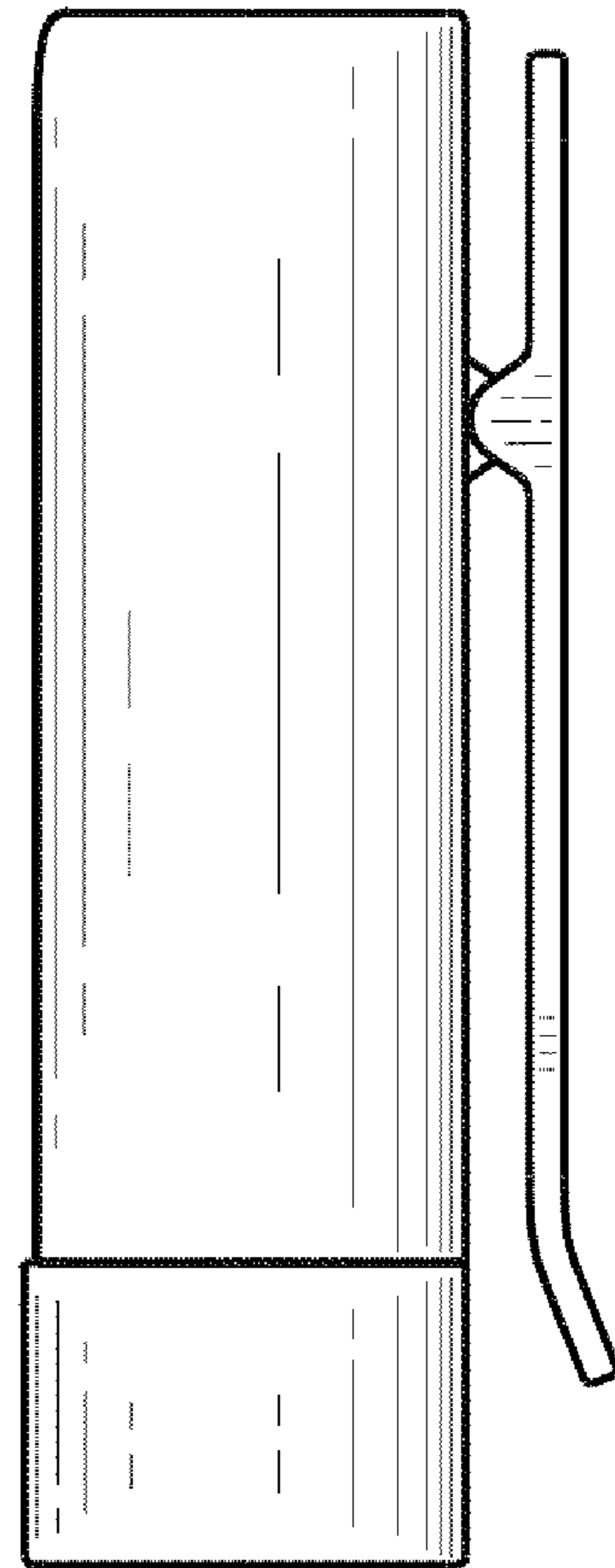


FIG.5

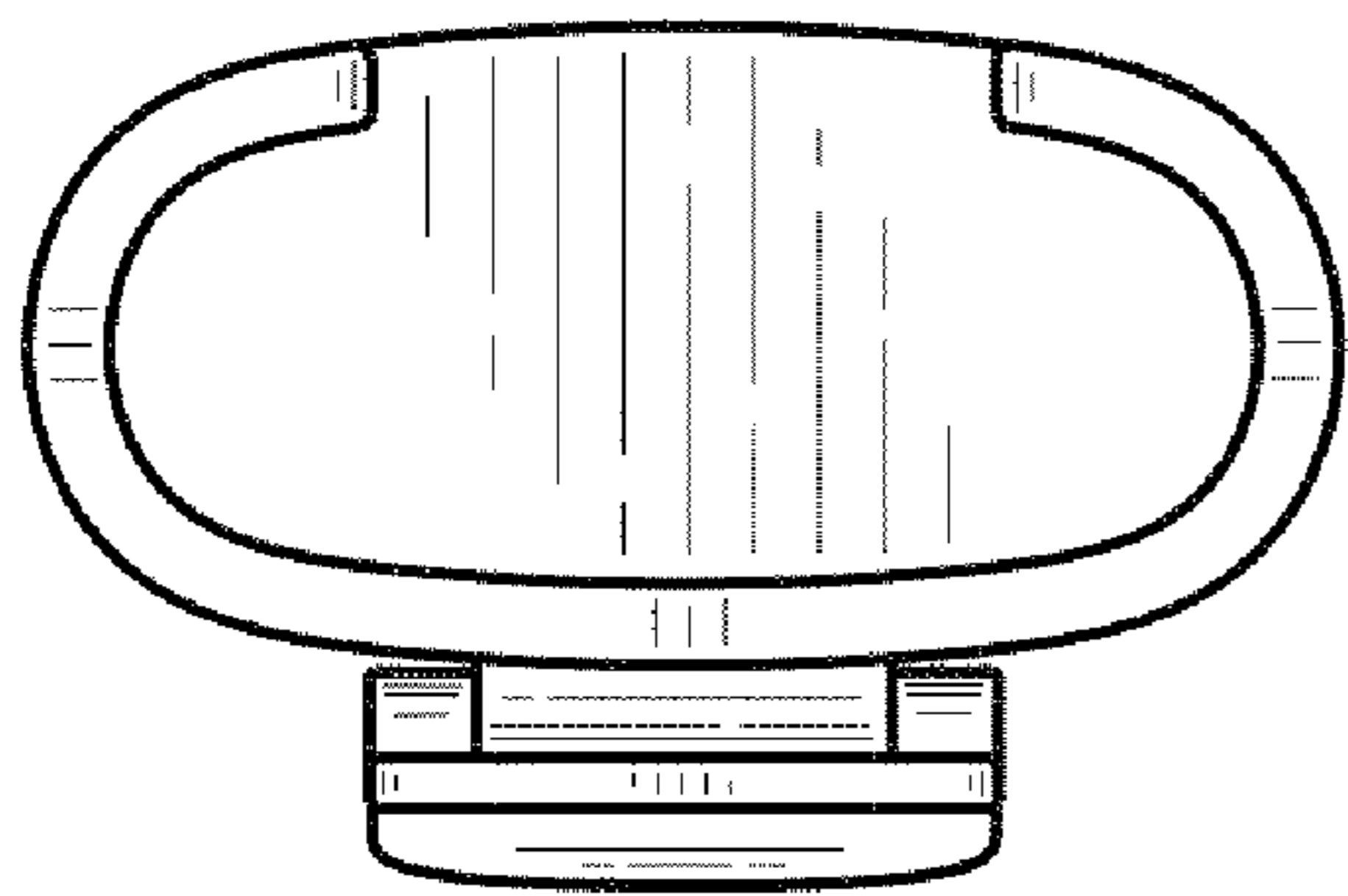


FIG. 6

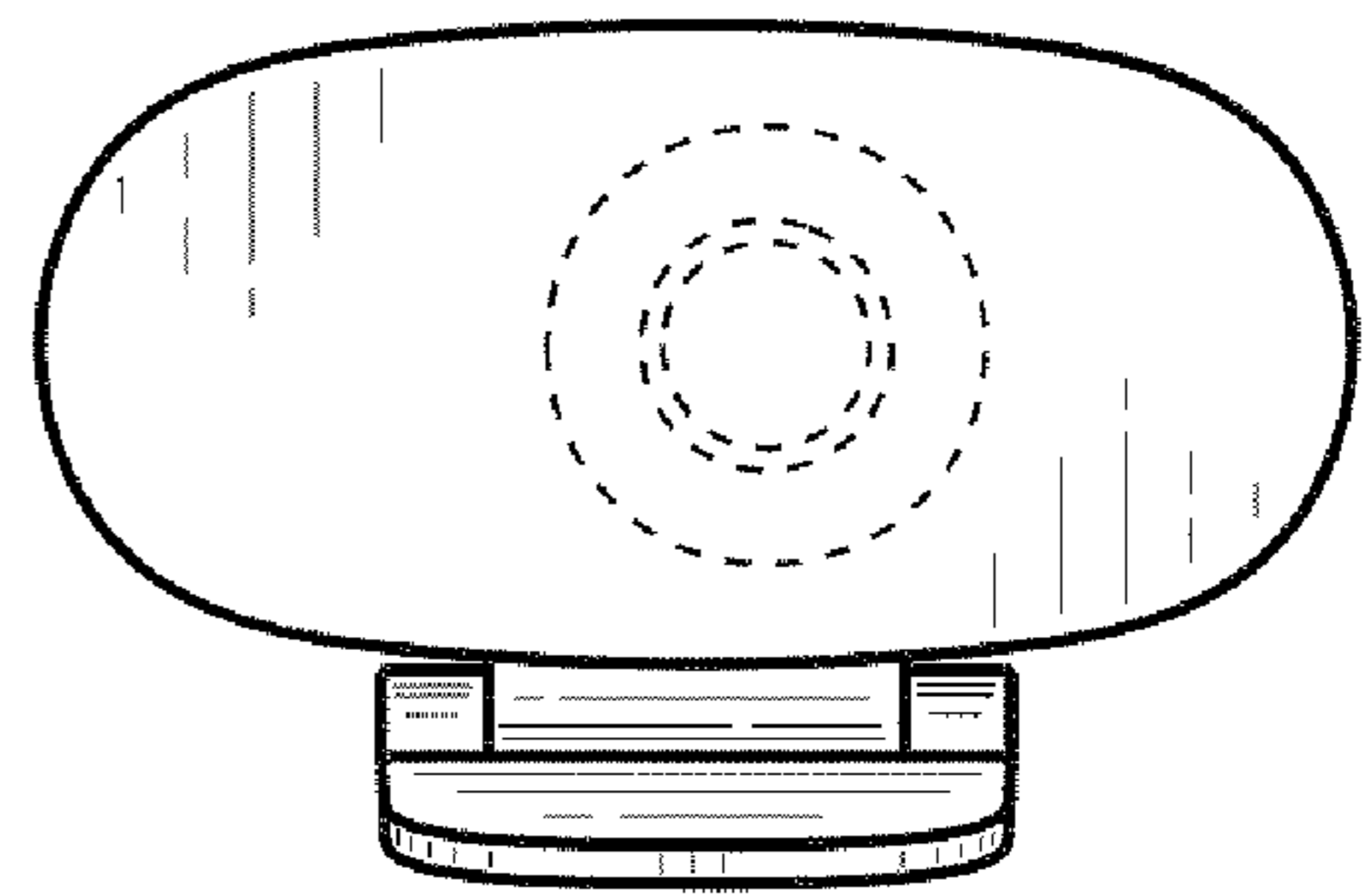


FIG. 7