



US00D642163S

(12) **United States Design Patent**  
**Lee et al.**

(10) **Patent No.:** **US D642,163 S**  
(45) **Date of Patent:** **\*\* Jul. 26, 2011**

(54) **IN-EAR HEADPHONE**

(75) Inventors: **Noel Lee**, Las Vegas, NV (US); **Dan Hua**, San Jose, CA (US)

(73) Assignee: **Monster Cable Products, Inc.**,  
Brisbane, CA (US)

(\*\*) Term: **14 Years**

(21) Appl. No.: **29/365,972**

(22) Filed: **Jul. 16, 2010**

(51) **LOC (9) Cl.** ..... **14-01**

(52) **U.S. Cl.** ..... **D14/223**

(58) **Field of Classification Search** ..... D14/188,  
D14/192, 205, 206, 223; 181/129, 130, 135;  
379/420.04, 433.01, 428.01; 128/864, 865;  
D24/106, 174; 381/380, 381, 325, 370, 373,  
381/378; 455/90.3, 569.1, 575.1

See application file for complete search history.

(56) **References Cited**

**U.S. PATENT DOCUMENTS**

D118,923	S	*	2/1940	Williams	.....	D13/133
2,572,889	A	*	10/1951	Strykower	.....	224/258
3,457,375	A	*	7/1969	Haggerty	.....	381/322
4,646,872	A	*	3/1987	Kamon et al.	.....	181/129
D408,821	S	*	4/1999	Takahashi	.....	D14/218
D430,547	S	*	9/2000	Yoon	.....	D14/142
D430,860	S	*	9/2000	Yoon	.....	D14/142
D431,030	S	*	9/2000	Yoon	.....	D14/142
D465,476	S	*	11/2002	Golding et al.	.....	D14/238.1
6,493,453	B1	*	12/2002	Glendon	.....	381/322
D511,157	S	*	11/2005	Johnson	.....	D14/223
D512,417	S	*	12/2005	Hirakawa et al.	.....	D14/223
D524,295	S	*	7/2006	Jacobson et al.	.....	D14/218
D542,280	S	*	5/2007	Taylor	.....	D14/218
D555,152	S	*	11/2007	Wang	.....	D14/223
D567,217	S	*	4/2008	Kamo et al.	.....	D14/205
D569,841	S	*	5/2008	Chung et al.	.....	D14/205
D578,507	S	*	10/2008	Ando	.....	D14/205
D582,389	S	*	12/2008	Bose et al.	.....	D14/205
D590,371	S	*	4/2009	Leinvuo	.....	D14/205
D591,264	S	*	4/2009	Hong et al.	.....	D14/205
D594,441	S	*	6/2009	Lee et al.	.....	D14/205

D595,690	S	*	7/2009	Fullerton	.....	D14/205
D598,010	S	*	8/2009	Matsuda et al.	.....	D14/223
D598,894	S	*	8/2009	Masuda et al.	.....	D14/205
D598,901	S	*	8/2009	Lee et al.	.....	
D599,778	S	*	9/2009	Ando	.....	D14/205
D599,781	S	*	9/2009	Lee et al.	.....	
D600,675	S	*	9/2009	Lee et al.	.....	D14/205
D603,837	S	*	11/2009	Martin	.....	D14/206
D605,628	S	*	12/2009	Ando	.....	D14/205
D606,972	S	*	12/2009	Schaefer	.....	D14/205
D607,875	S	*	1/2010	Pedersen, II	.....	D14/206
D611,934	S	*	3/2010	Schaefer	.....	D14/223

(Continued)

*Primary Examiner* — Paula Greene

(74) *Attorney, Agent, or Firm* — LaRiviere, Grubman & Payne, LLP

(57) **CLAIM**

The ornamental design for an in-ear headphone, as shown and described.

**DESCRIPTION**

FIG. 1 is a perspective view of an in-ear headphone, in accordance with the present invention.

FIG. 2 is a top view thereof;

FIG. 3 is a bottom view thereof;

FIG. 4 is a side view thereof;

FIG. 5 is an opposing side view thereof;

FIG. 6 is a rear view thereof;

FIG. 7 is a front view thereof.

FIG. 8 is a perspective view of a second embodiment of an in-ear headphone, in accordance with the present invention.

FIG. 9 is a top view thereof;

FIG. 10 is a bottom view thereof;

FIG. 11 is a side view thereof;

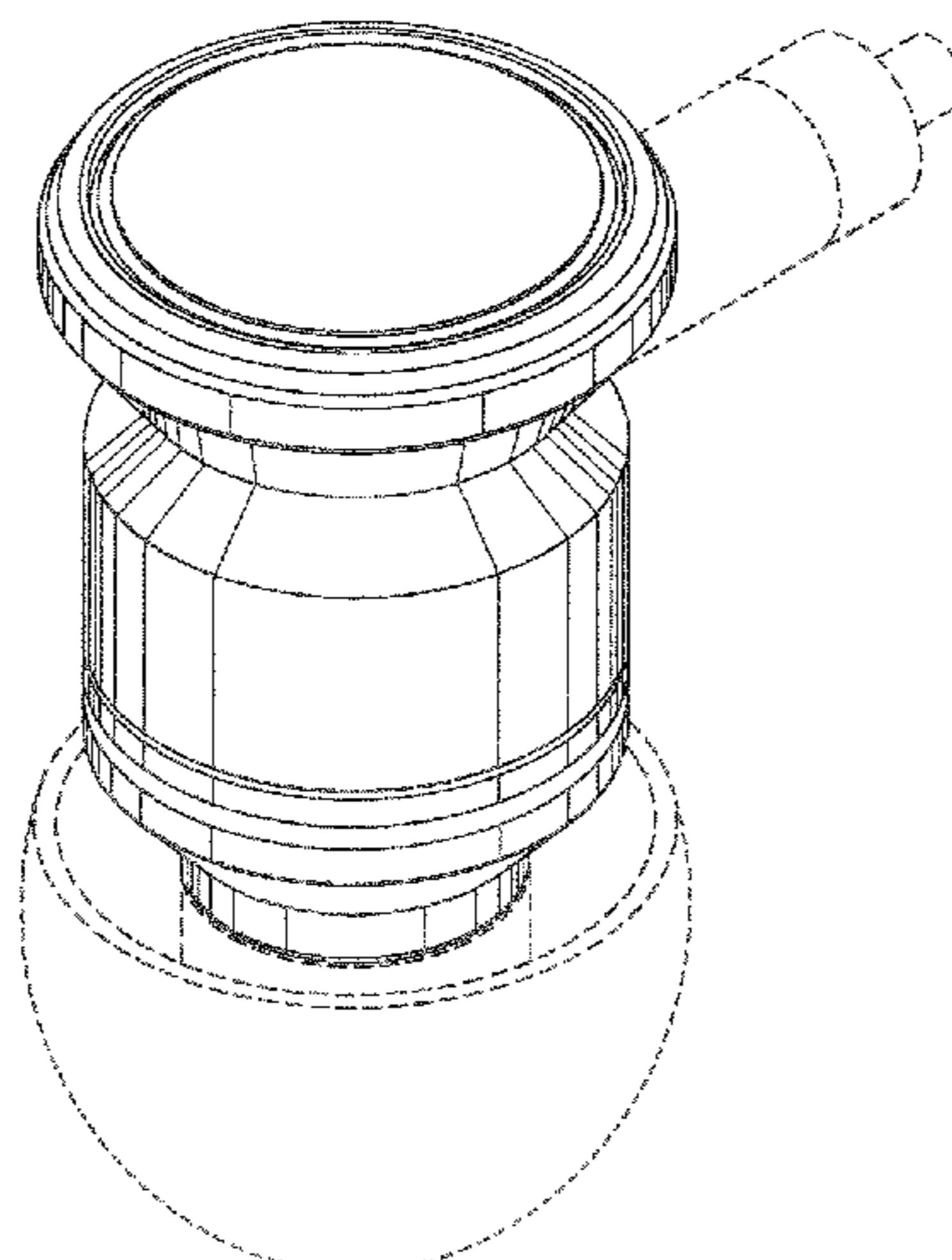
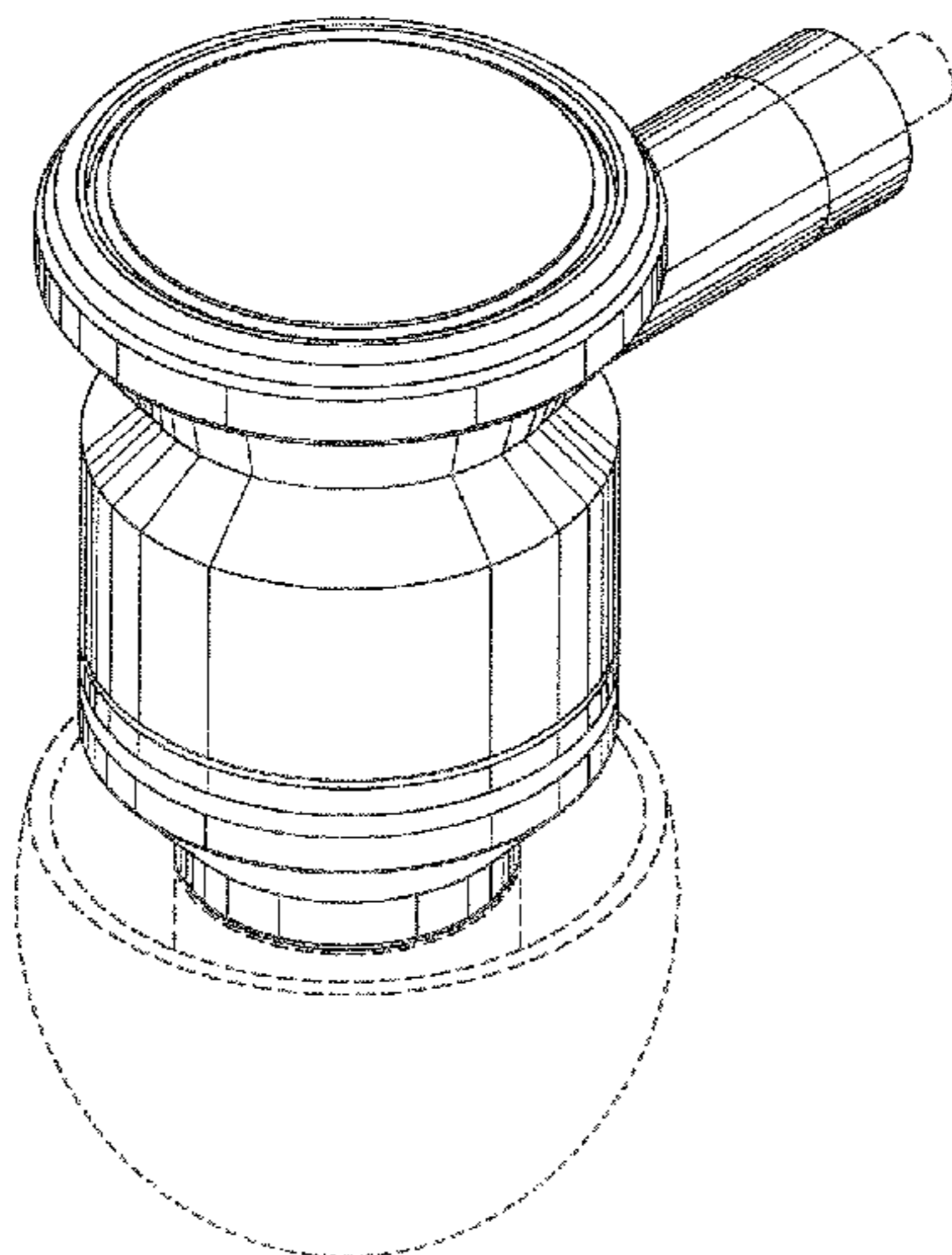
FIG. 12 is an opposing side view thereof;

FIG. 13 is a rear view thereof; and,

FIG. 14 is a front view thereof.

The broken lines showing the environment in the Figures are for illustrative purposes only and form no part of the claimed design.

**1 Claim, 4 Drawing Sheets**



# US D642,163 S

Page 2

---

## U.S. PATENT DOCUMENTS

D614,168 S *	4/2010	Rogers et al. ....	D14/206	
D627,764 S *	11/2010	Tsai et al. ....	D14/223	* cited by examiner
				D629,395 S * 12/2010 Lee et al. .... D14/223

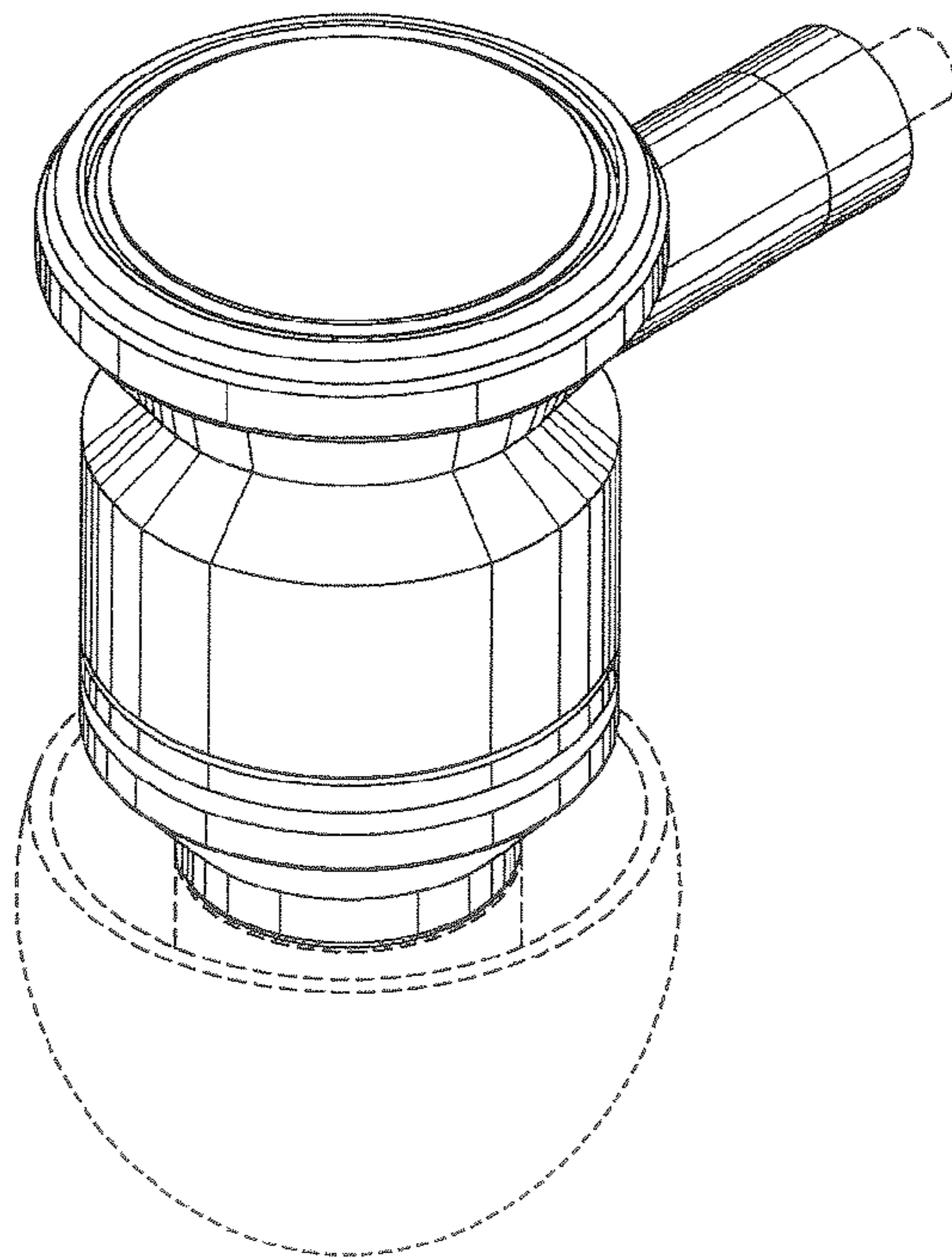


Figure 1

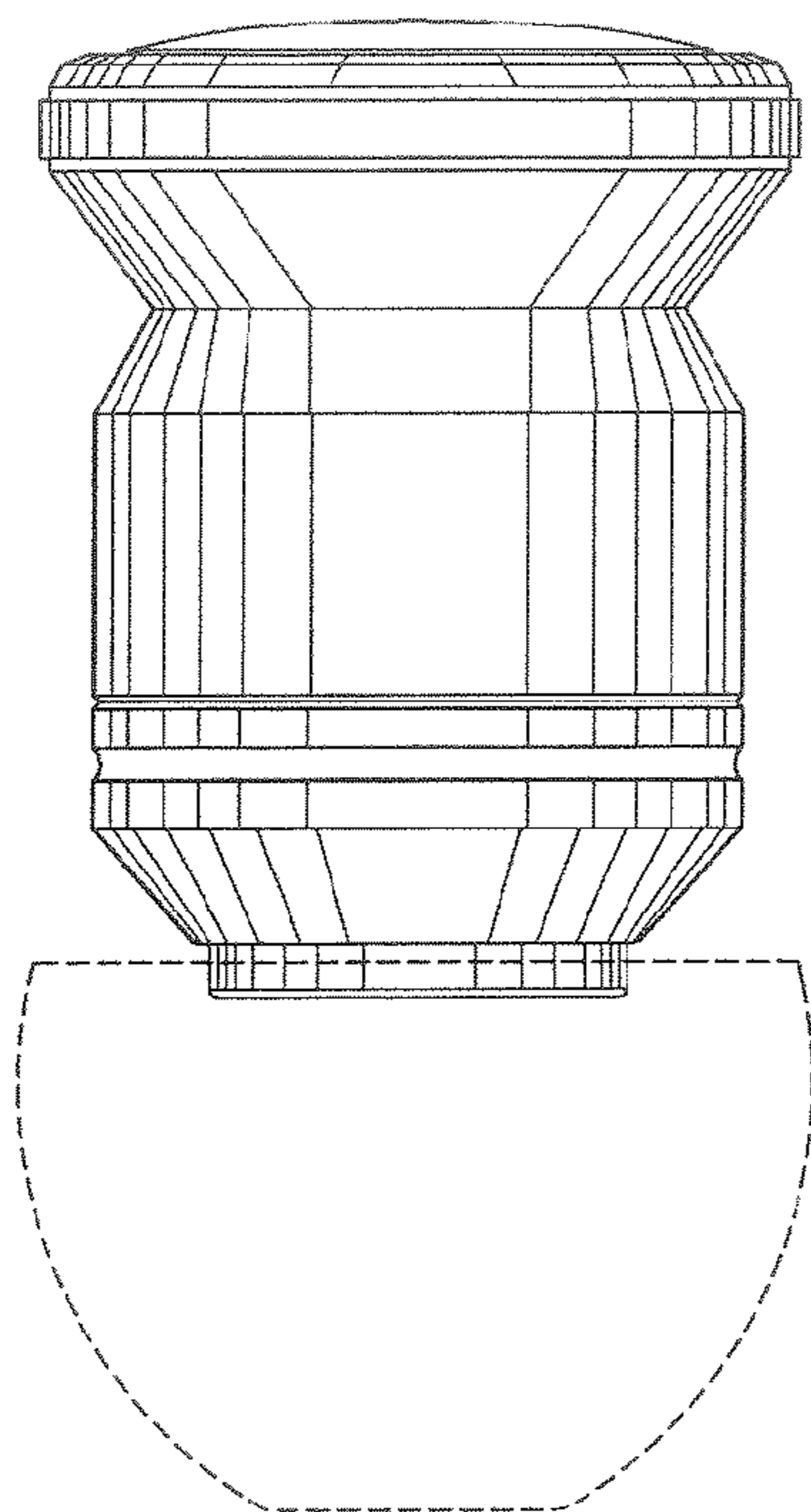


Figure 2

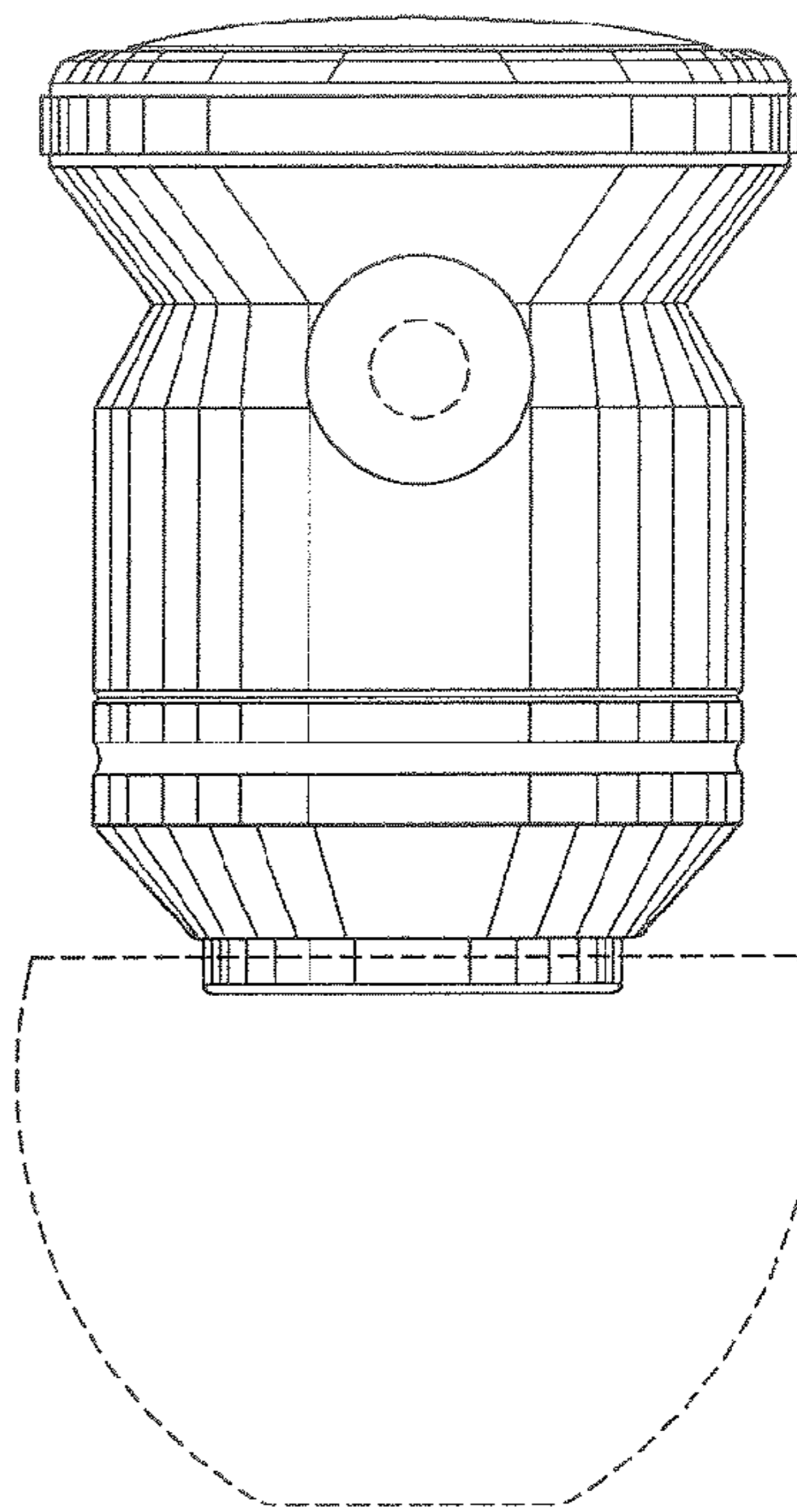


Figure 3



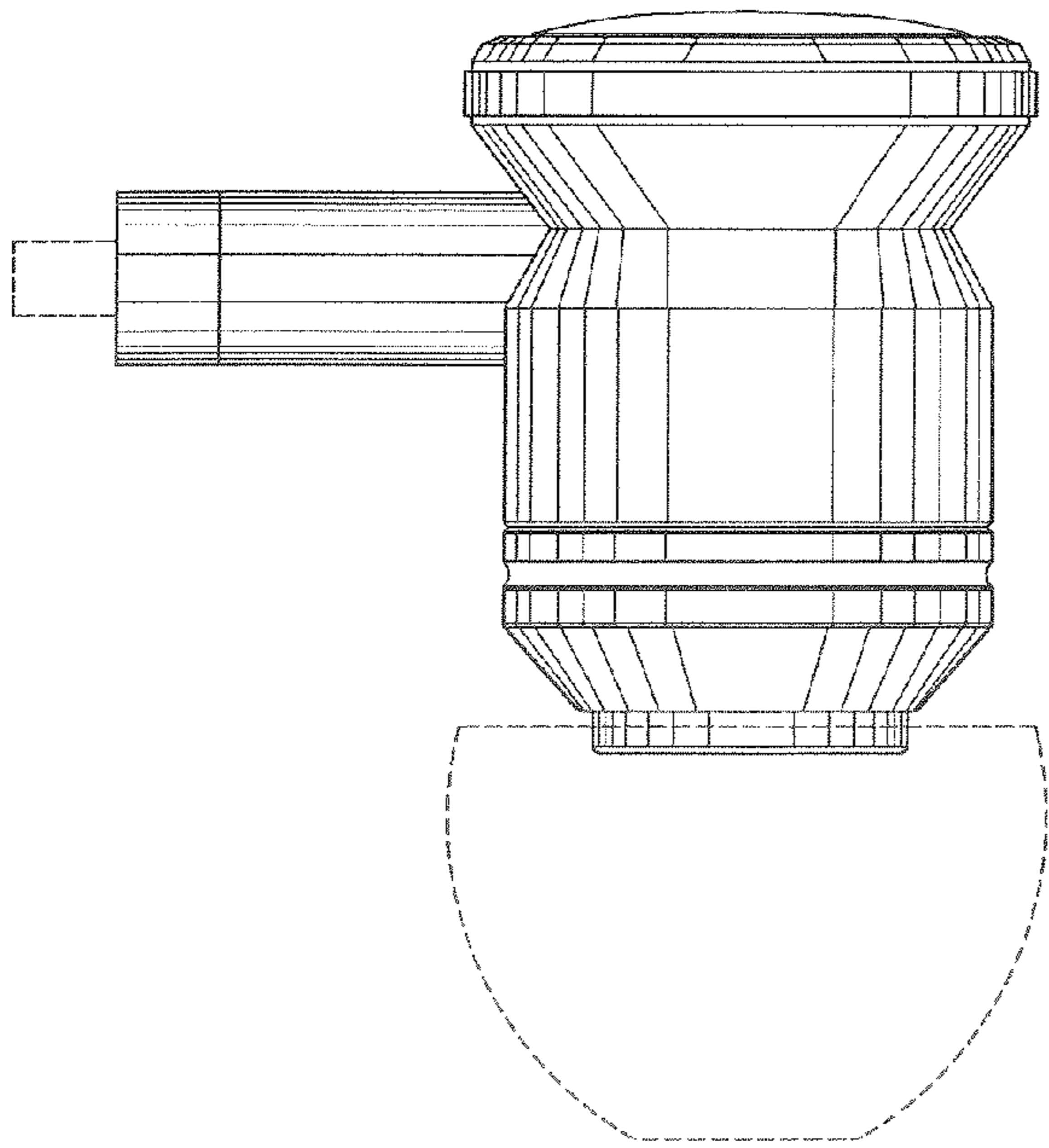


Figure 4

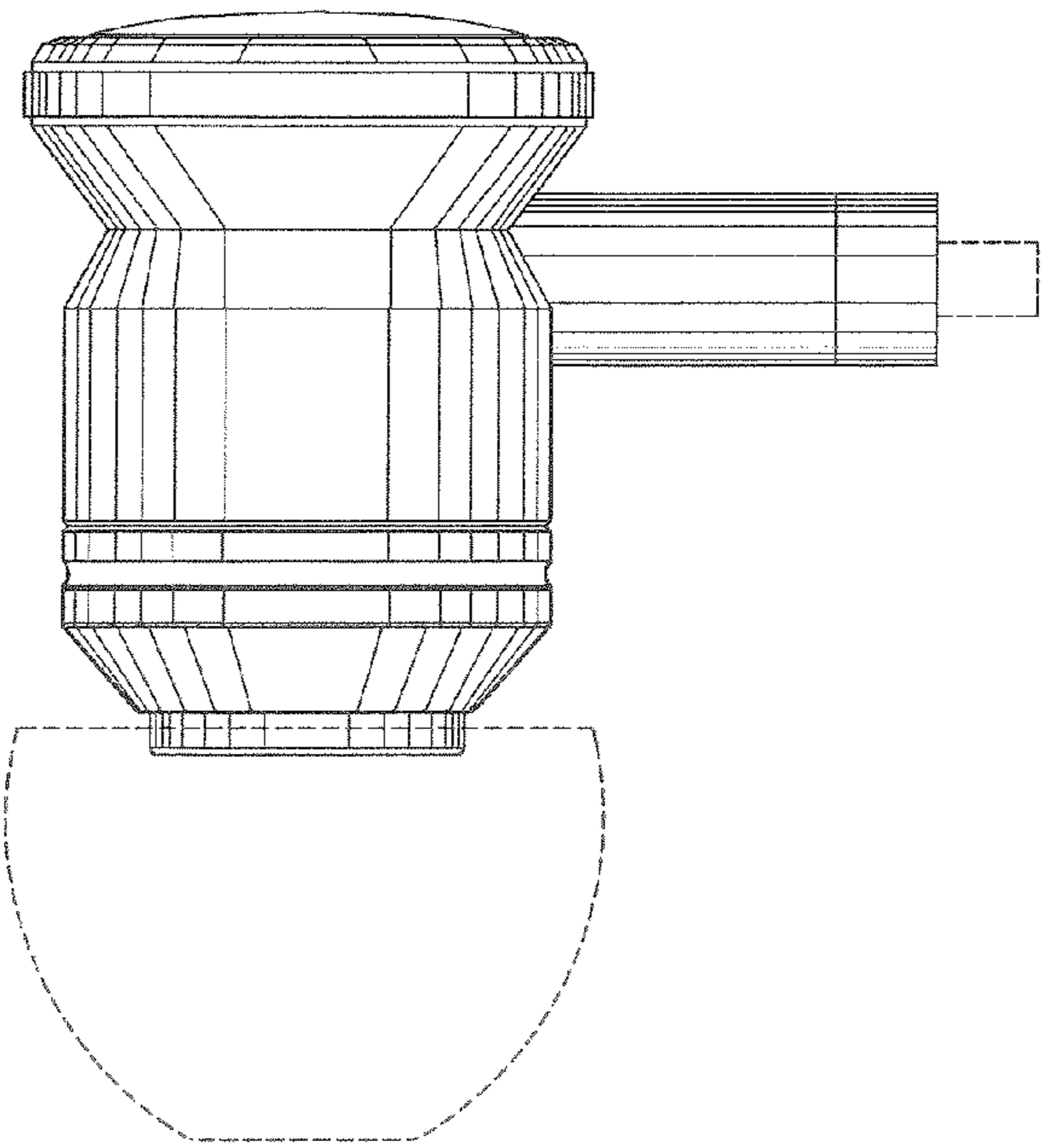


Figure 5

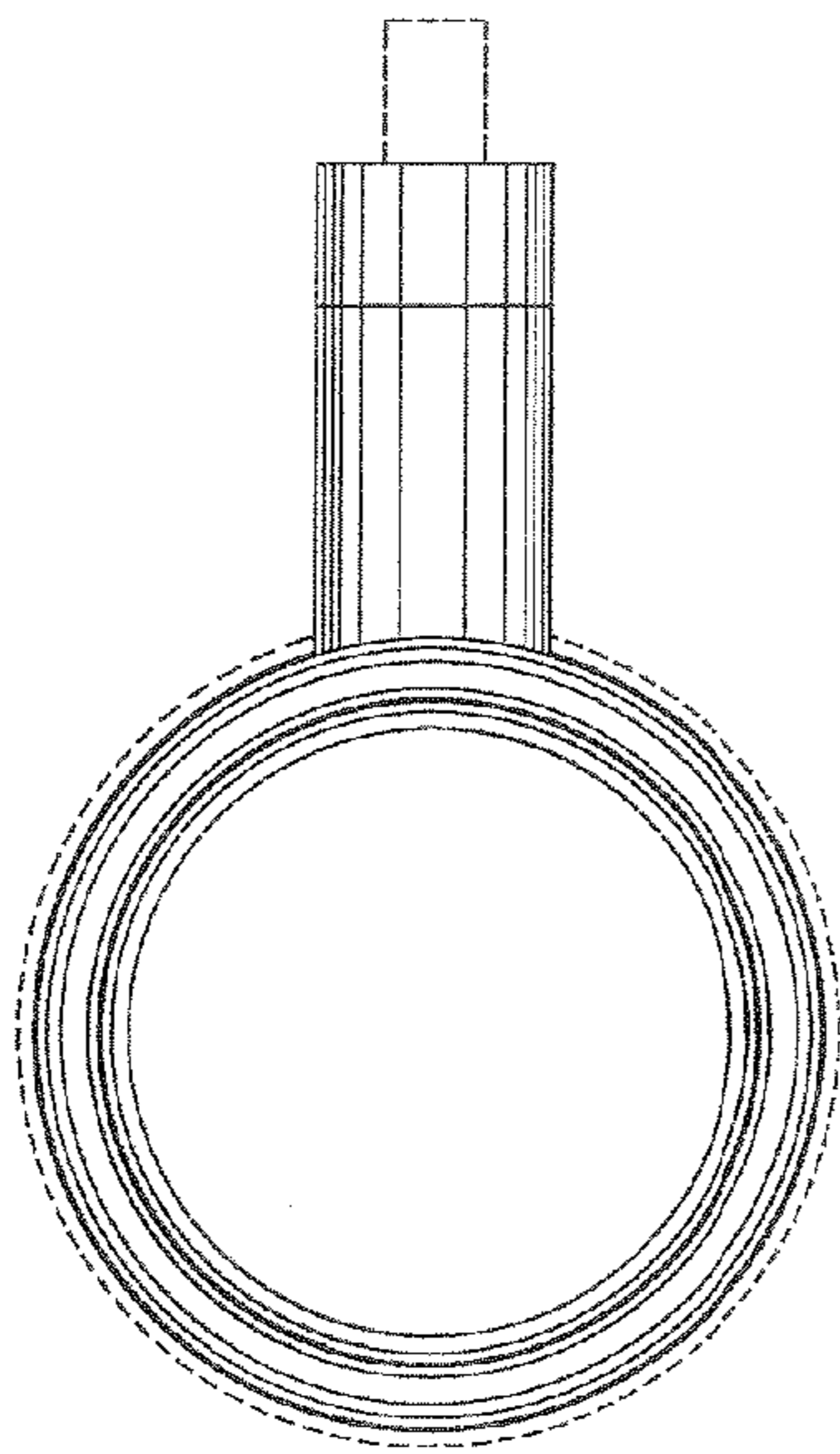


Figure 6

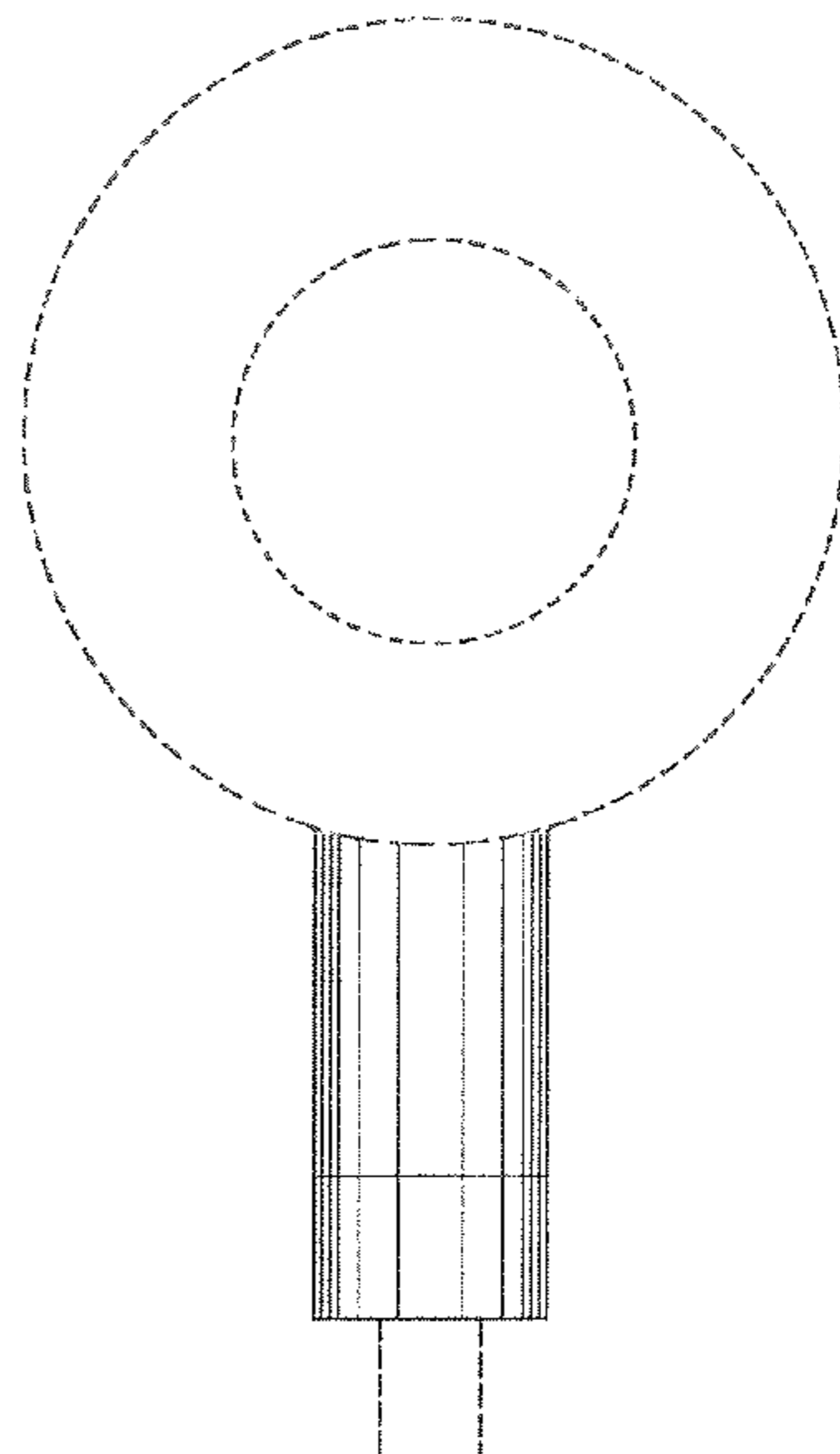


Figure 7

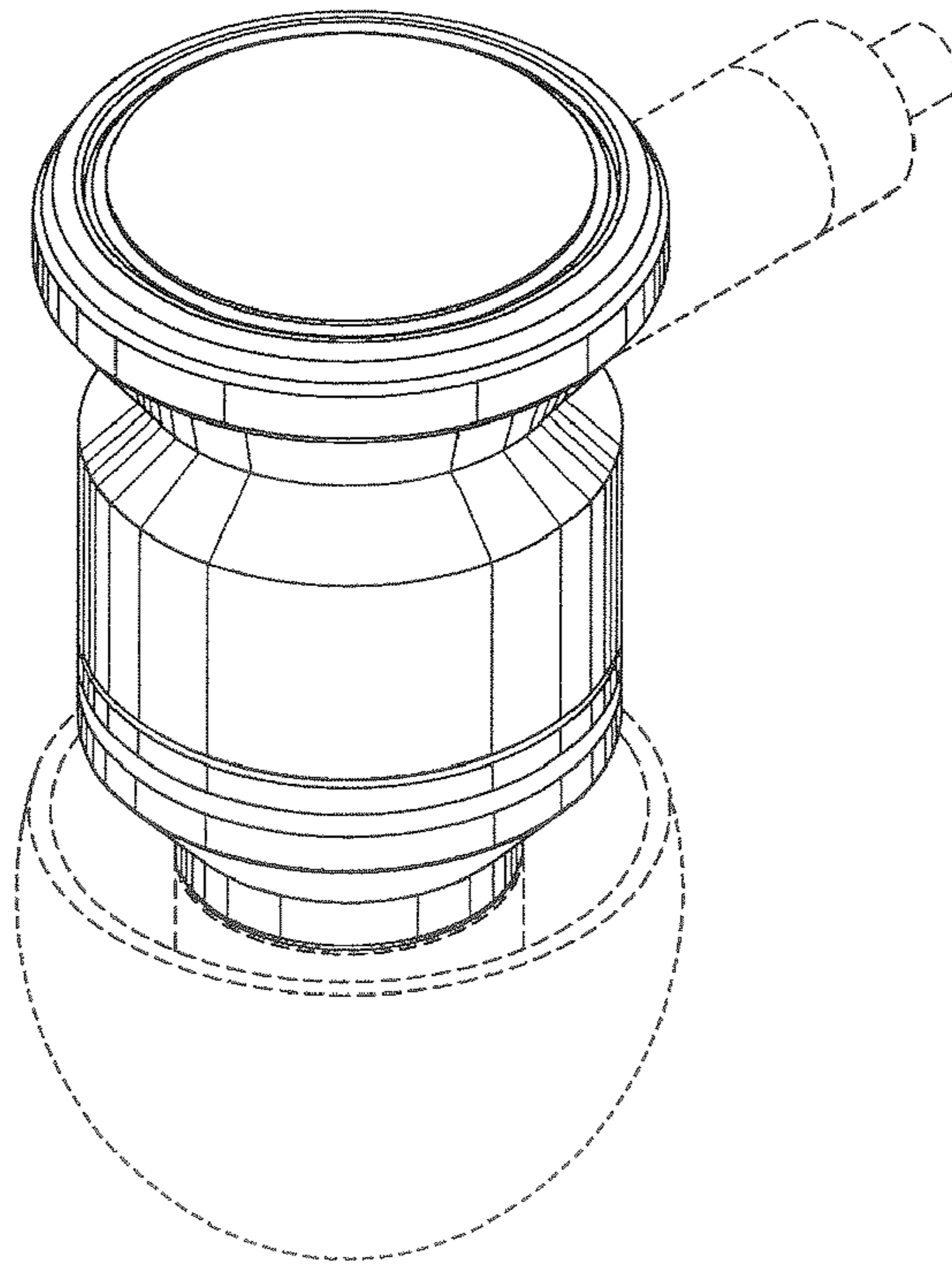


Figure 8

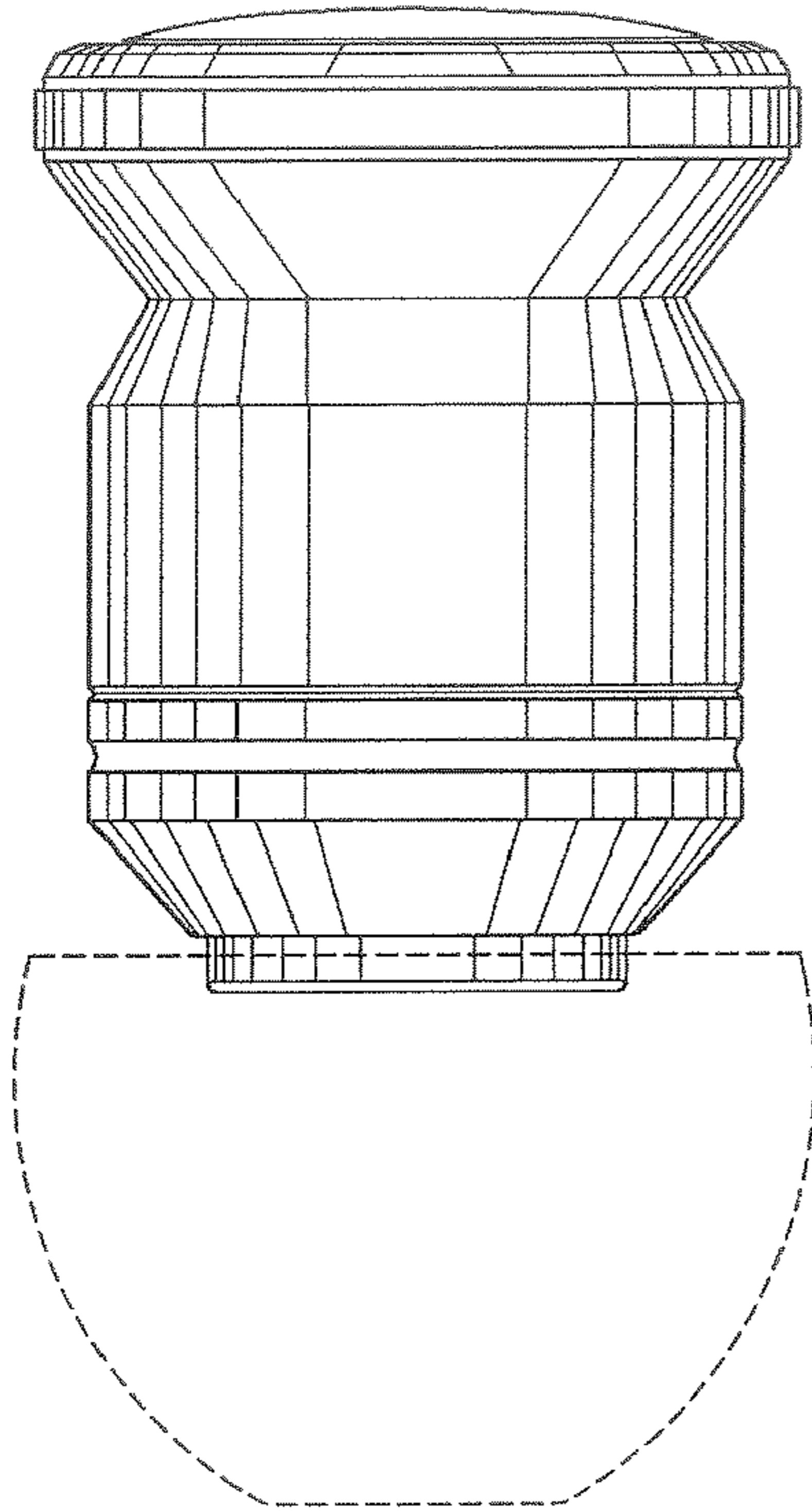


Figure 9

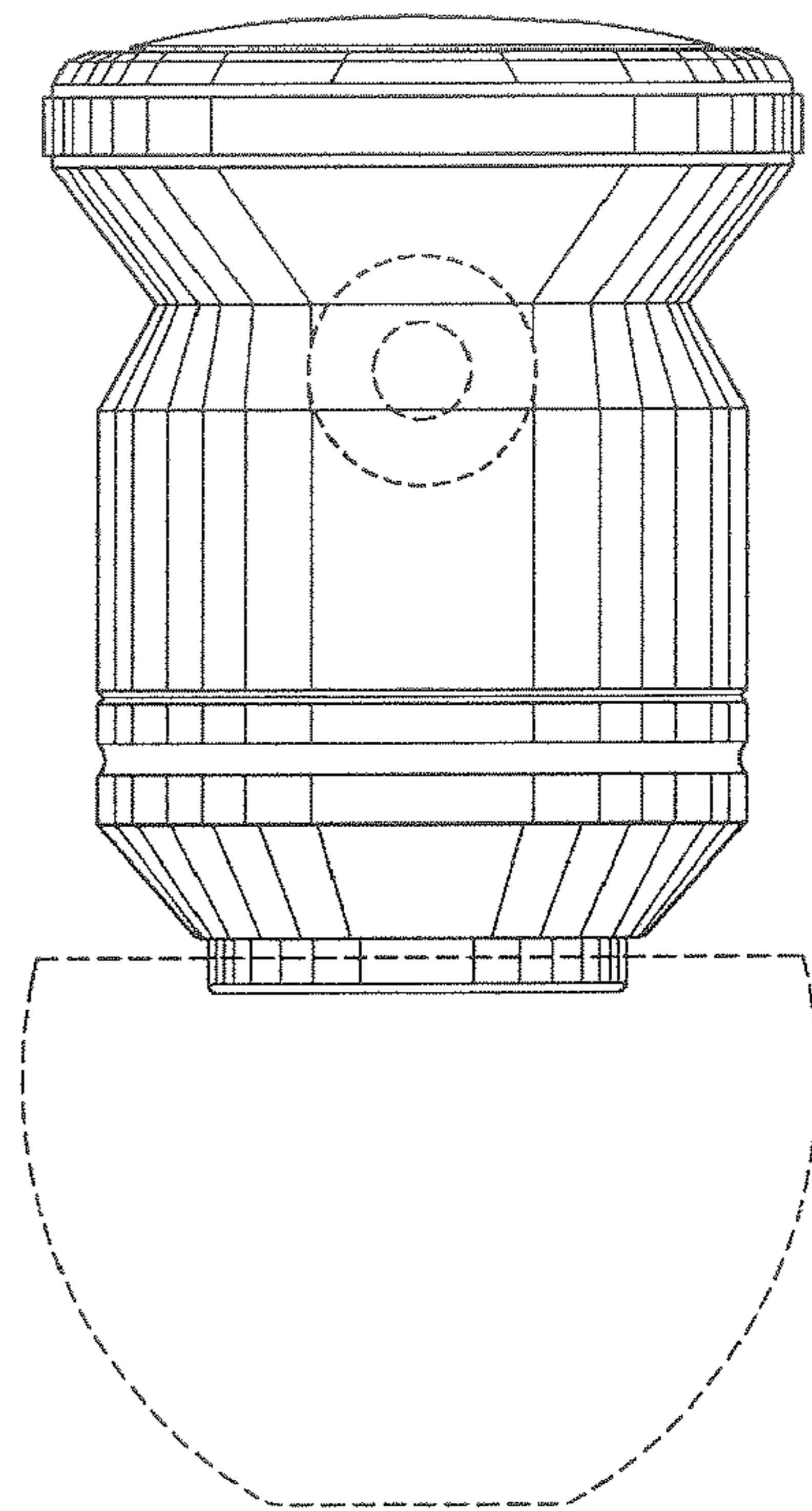


Figure 10

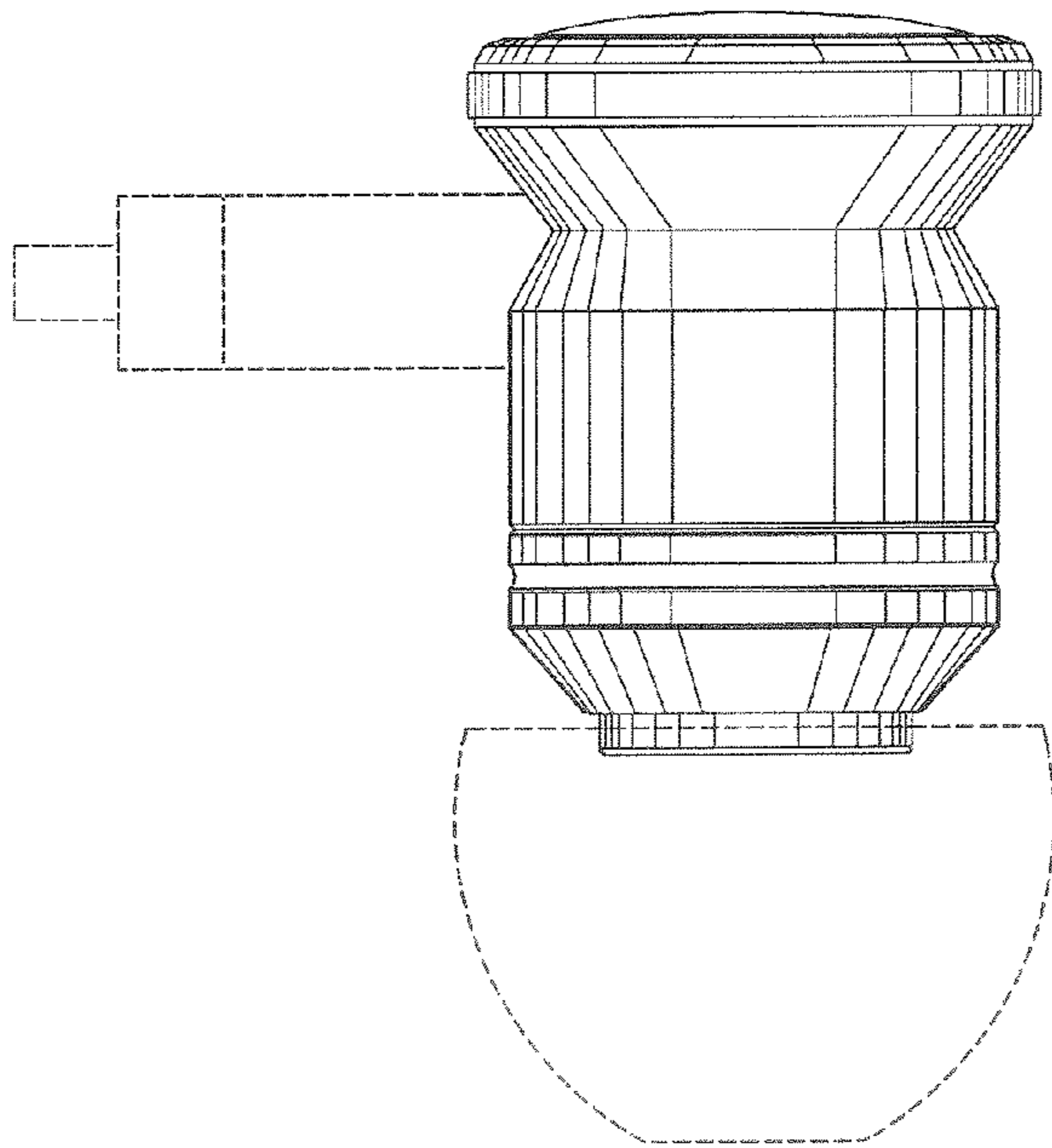


Figure 11

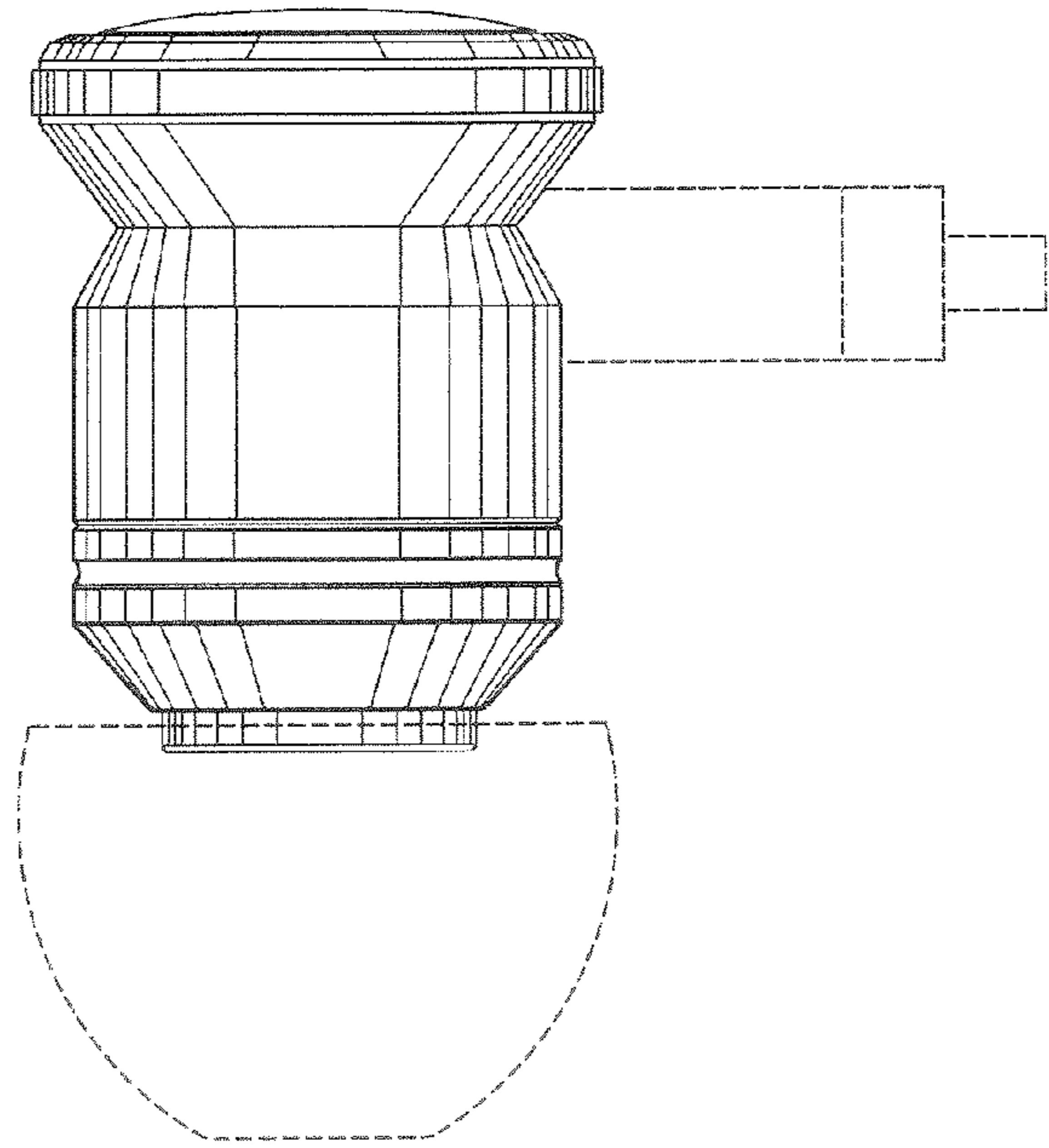


Figure 12

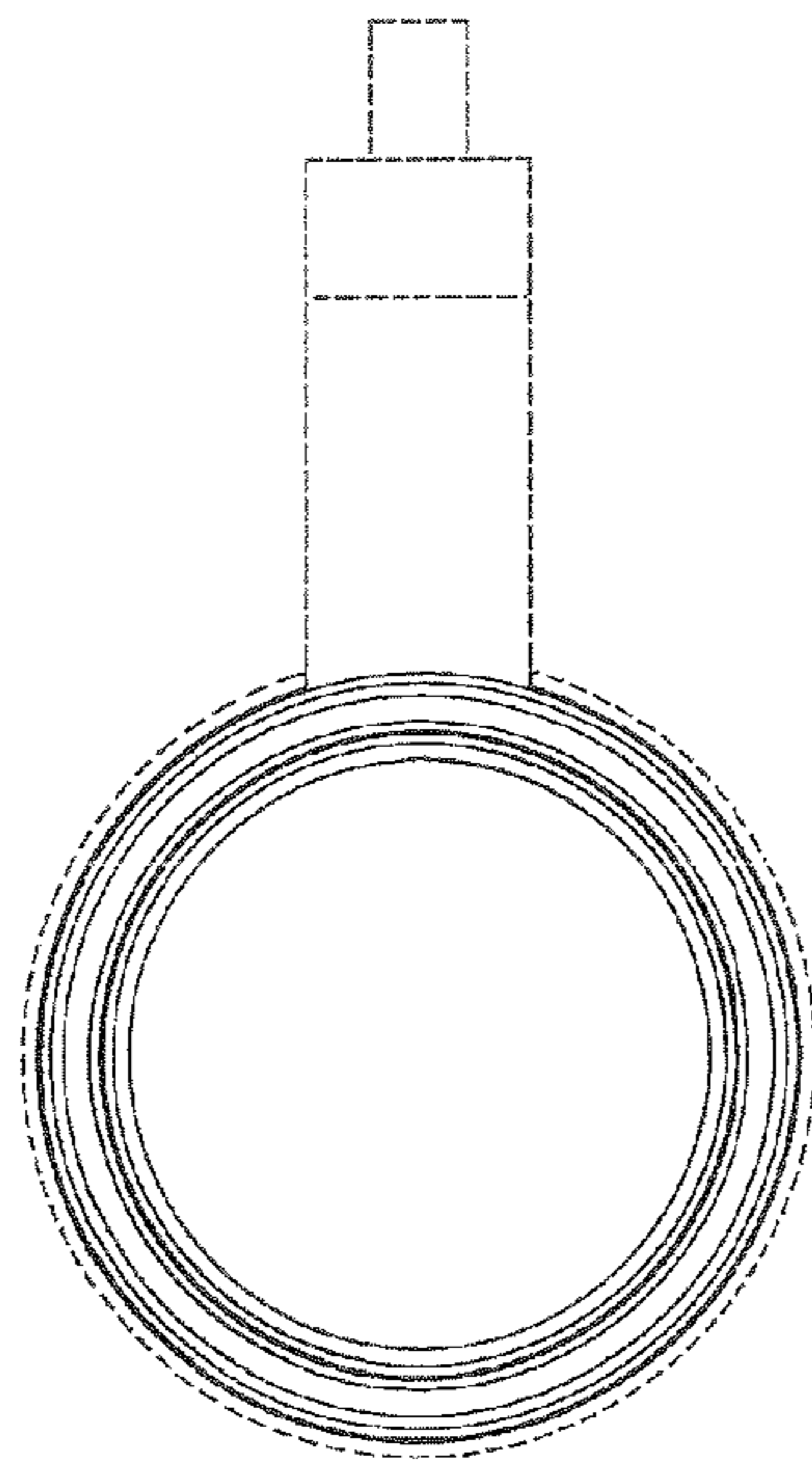


Figure 13

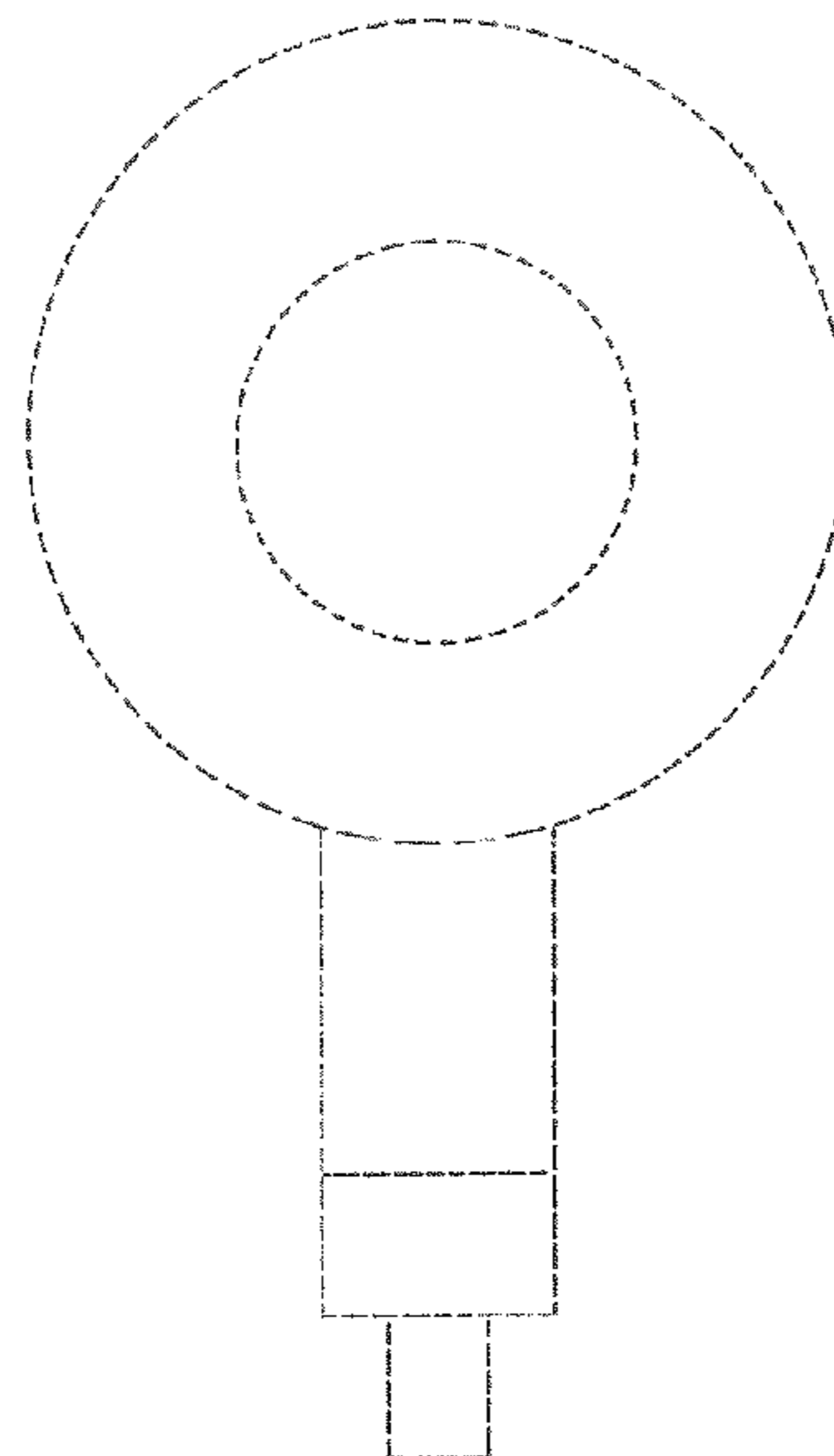


Figure 14