



US00D642162S

(12) **United States Design Patent**  
**Wang et al.**

(10) **Patent No.:** **US D642,162 S**

(45) **Date of Patent:** **\*\* Jul. 26, 2011**

(54) **WIRELESS EARPHONE**

(75) Inventors: **Yao Wang**, Shenzhen (CN); **Tzu-Cheng Yu**, Santa Clara, CA (US); **Yu-Shi Wu**, Shenzhen (CN)

(73) Assignee: **Chi Mei Communication Systems, Inc.**, Tu-Cheng, New Taipei (TW)

(\*\*) Term: **14 Years**

(21) Appl. No.: **29/361,943**

(22) Filed: **May 18, 2010**

(51) **LOC (9) Cl.** ..... **14-01**

(52) **U.S. Cl.** ..... **D14/223**

(58) **Field of Classification Search** ..... D14/205,  
D14/206, 223; 379/428.01, 430, 433.11,  
379/440; 381/370, 371; 181/129, 130, 135;  
455/90.1, 575.1, 575.8

See application file for complete search history.

(56) **References Cited**

U.S. PATENT DOCUMENTS

3,851,123	A *	11/1974	Lipinski et al. ....	455/351
5,081,709	A *	1/1992	Benyo et al. ....	455/348
D566,103	S *	4/2008	Sade et al. ....	D14/223
D593,547	S *	6/2009	Kim et al. ....	D14/223
D601,549	S *	10/2009	Kang et al. ....	D14/223
D603,846	S *	11/2009	Tkachuk ....	D14/223
D605,168	S *	12/2009	Jaakkola et al. ....	D14/205

D610,575	S *	2/2010	Brickstad .....	D14/223
7,684,560	B2 *	3/2010	Sung et al. ....	379/430
D616,873	S *	6/2010	Olivier .....	D14/223
D617,779	S *	6/2010	Nylen .....	D14/223
D620,927	S *	8/2010	Li .....	D14/223

\* cited by examiner

*Primary Examiner* — Paula Greene

(74) *Attorney, Agent, or Firm* — Steven M. Reiss

(57) **CLAIM**

The ornamental design for a wireless earphone, as shown and described.

**DESCRIPTION**

FIG. 1 is a perspective view of a wireless earphone showing our new design;

FIG. 2 is a front elevational view thereof;

FIG. 3 is a rear elevational view thereof;

FIG. 4 is a left side elevational view thereof;

FIG. 5 is a right side elevational view thereof;

FIG. 6 is a top plan view thereof;

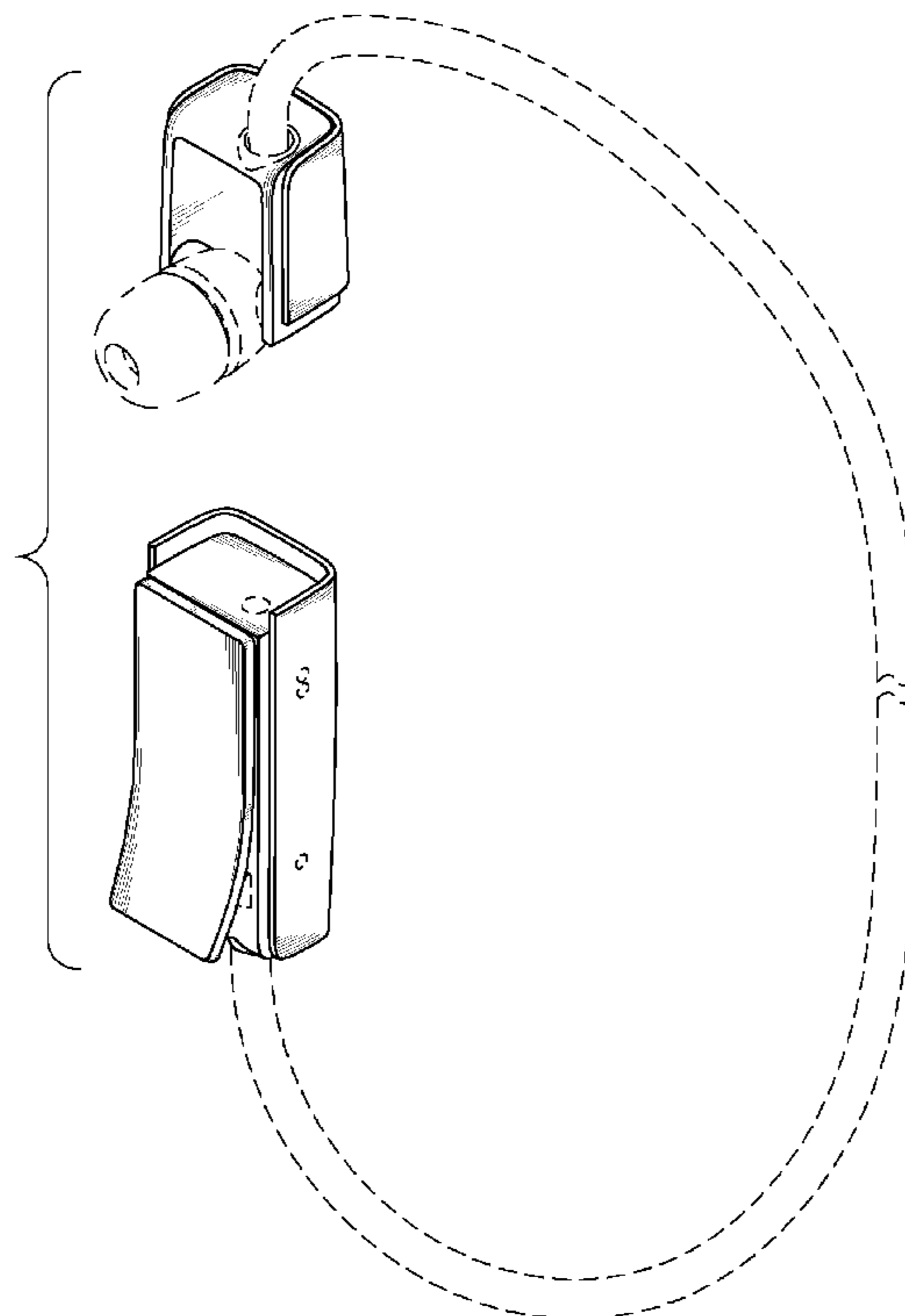
FIG. 7 is a bottom plan view thereof; and,

FIG. 8 is an exploded perspective view thereof.

The broken lines of all the figures are for the purpose of illustrating environment only and form no part of the claimed design.

The bottom of the top portion of FIG. 8 forms no part of the claimed design.

**1 Claim, 8 Drawing Sheets**



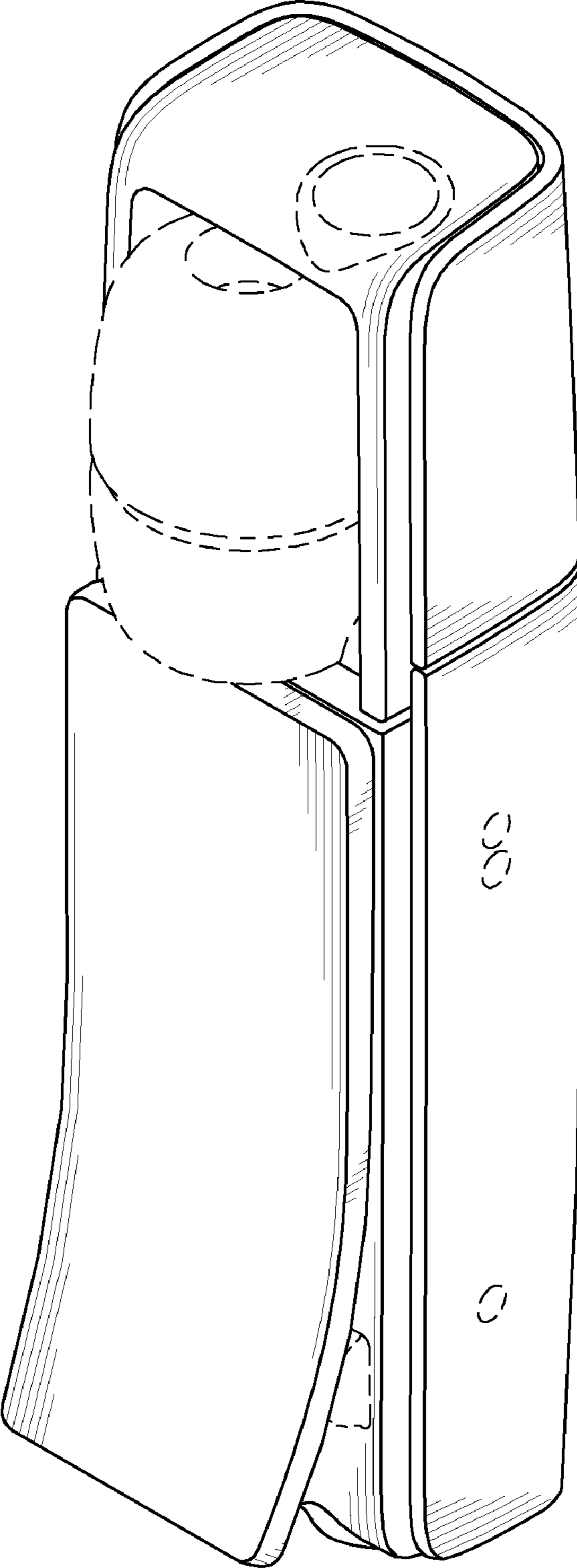


FIG. 1

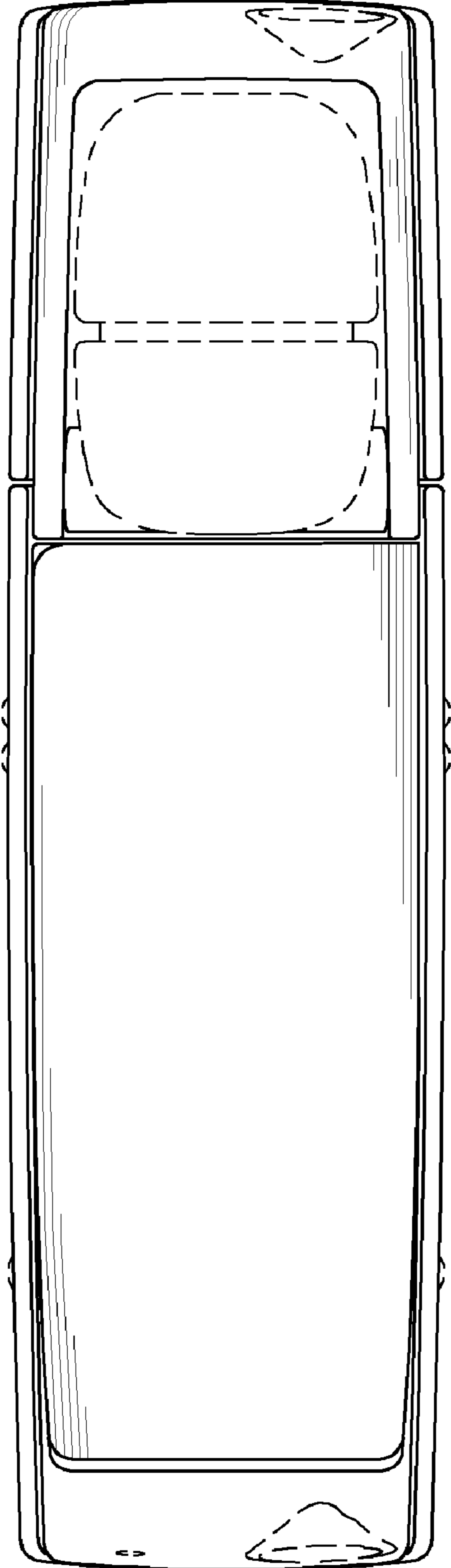


FIG. 2

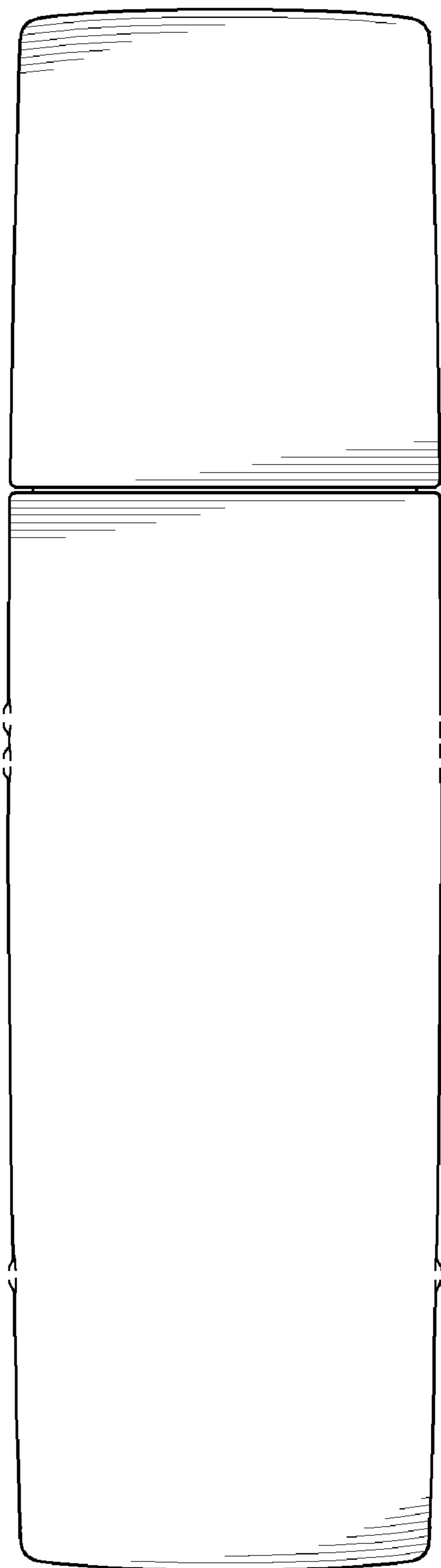


FIG. 3

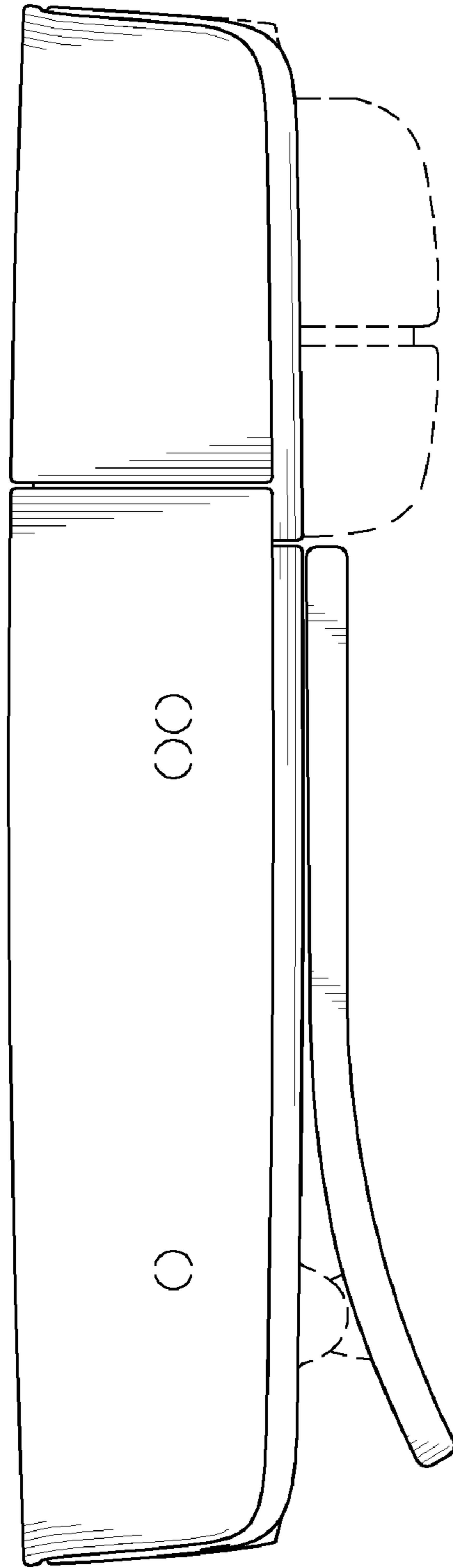


FIG. 4

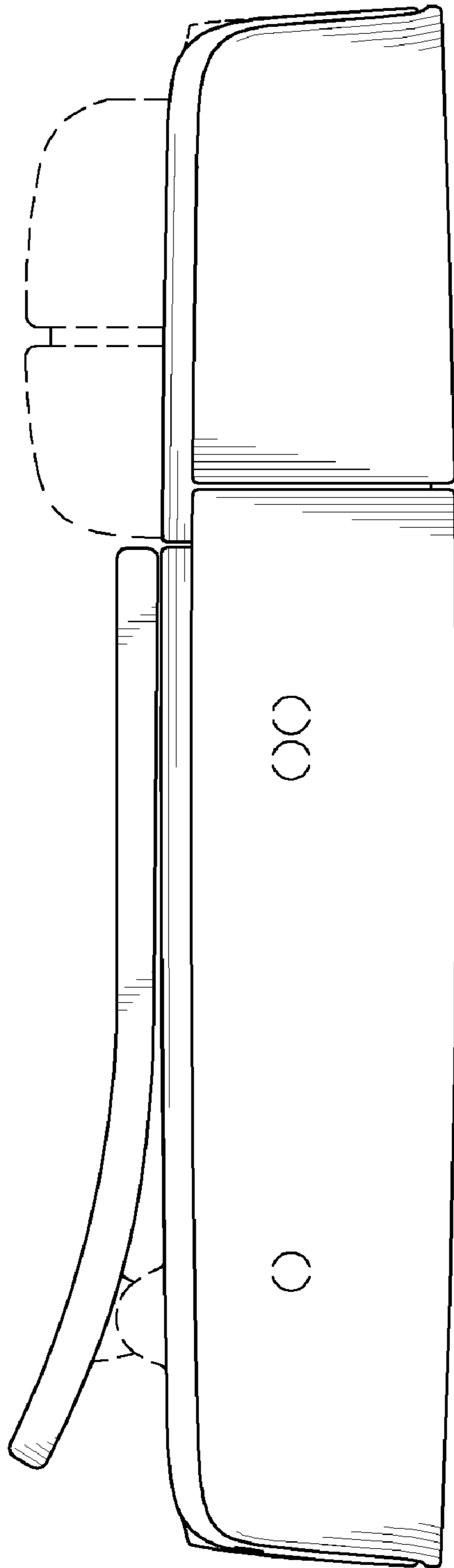


FIG. 5

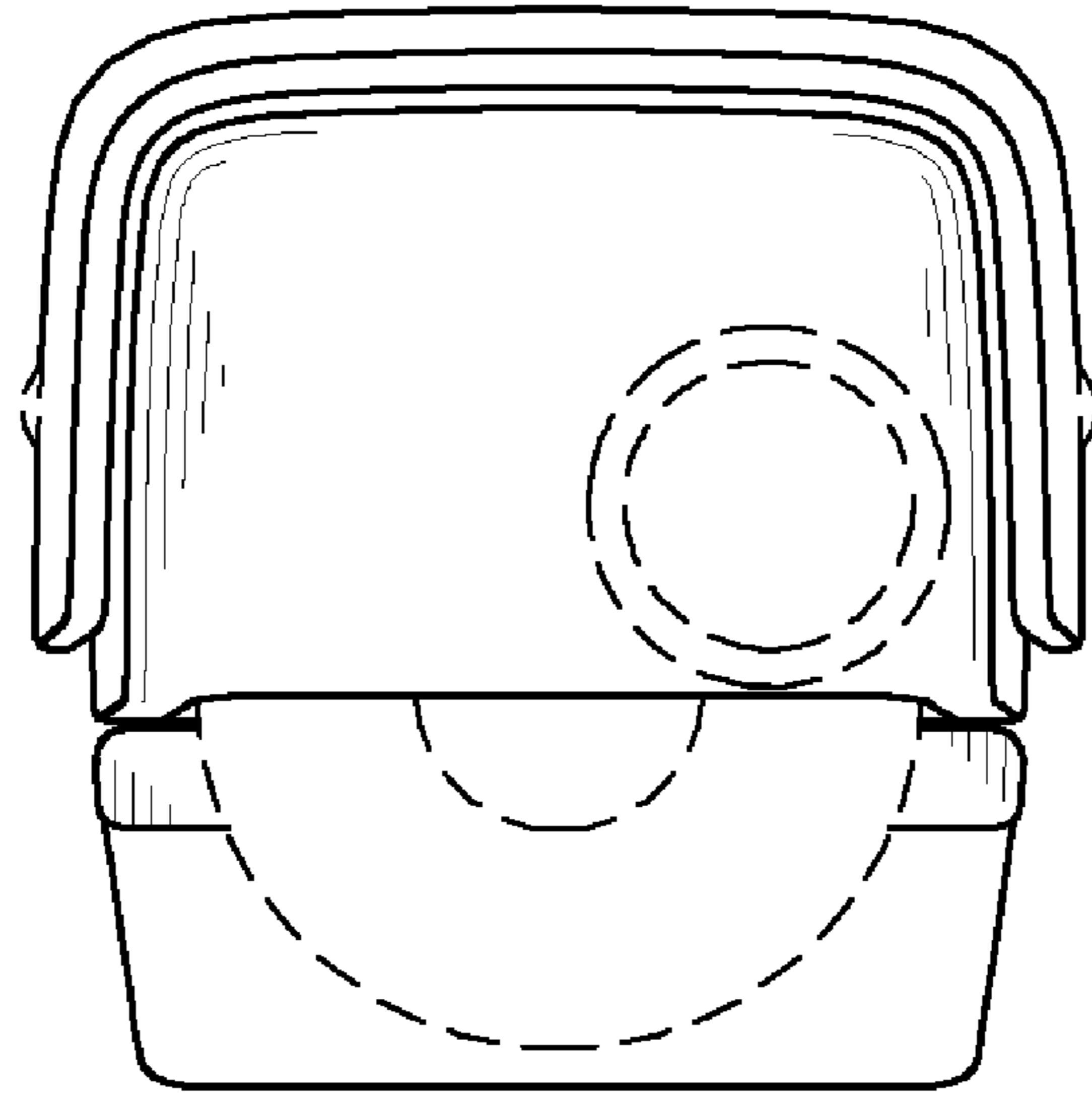


FIG. 6

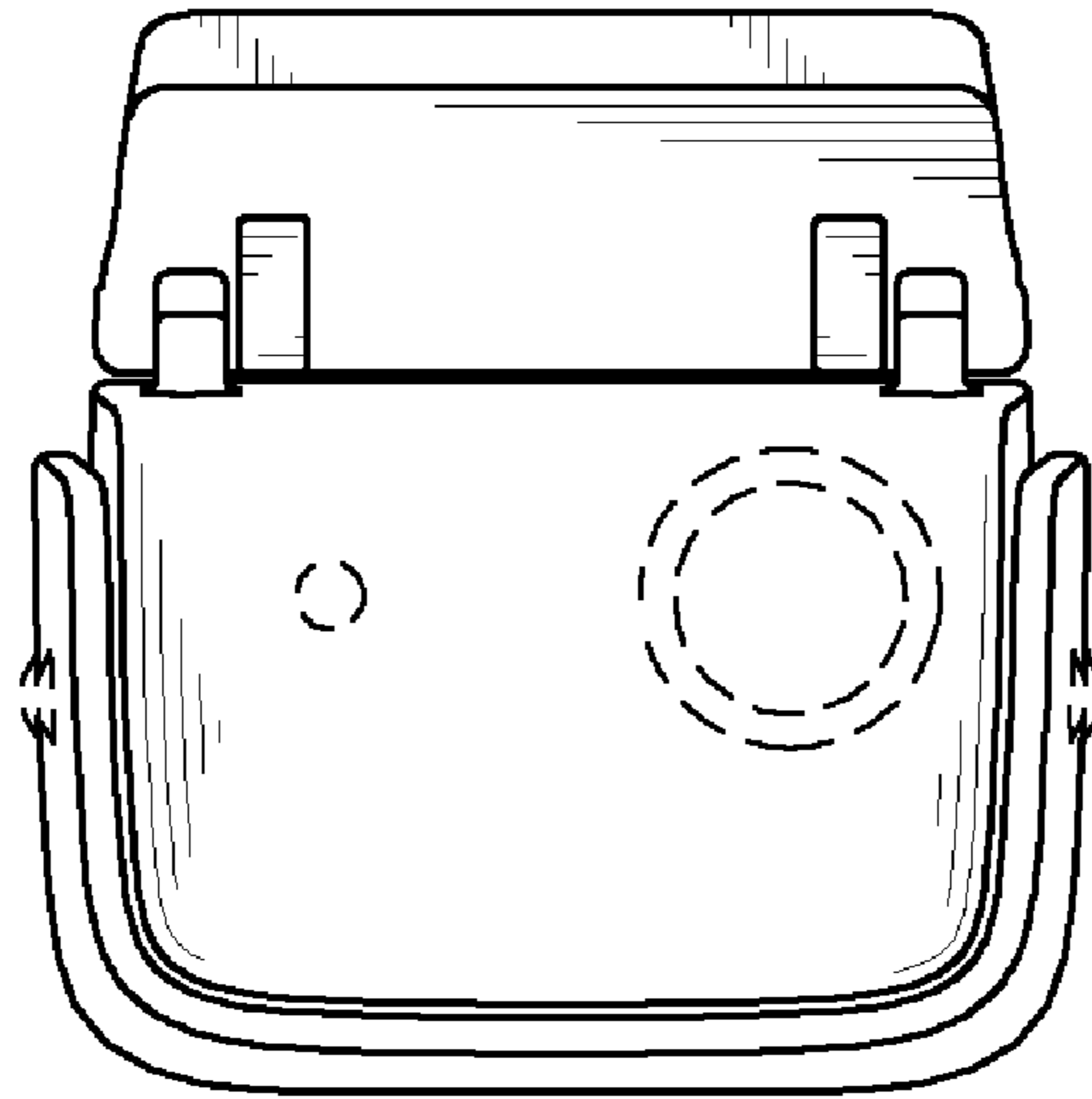


FIG. 7



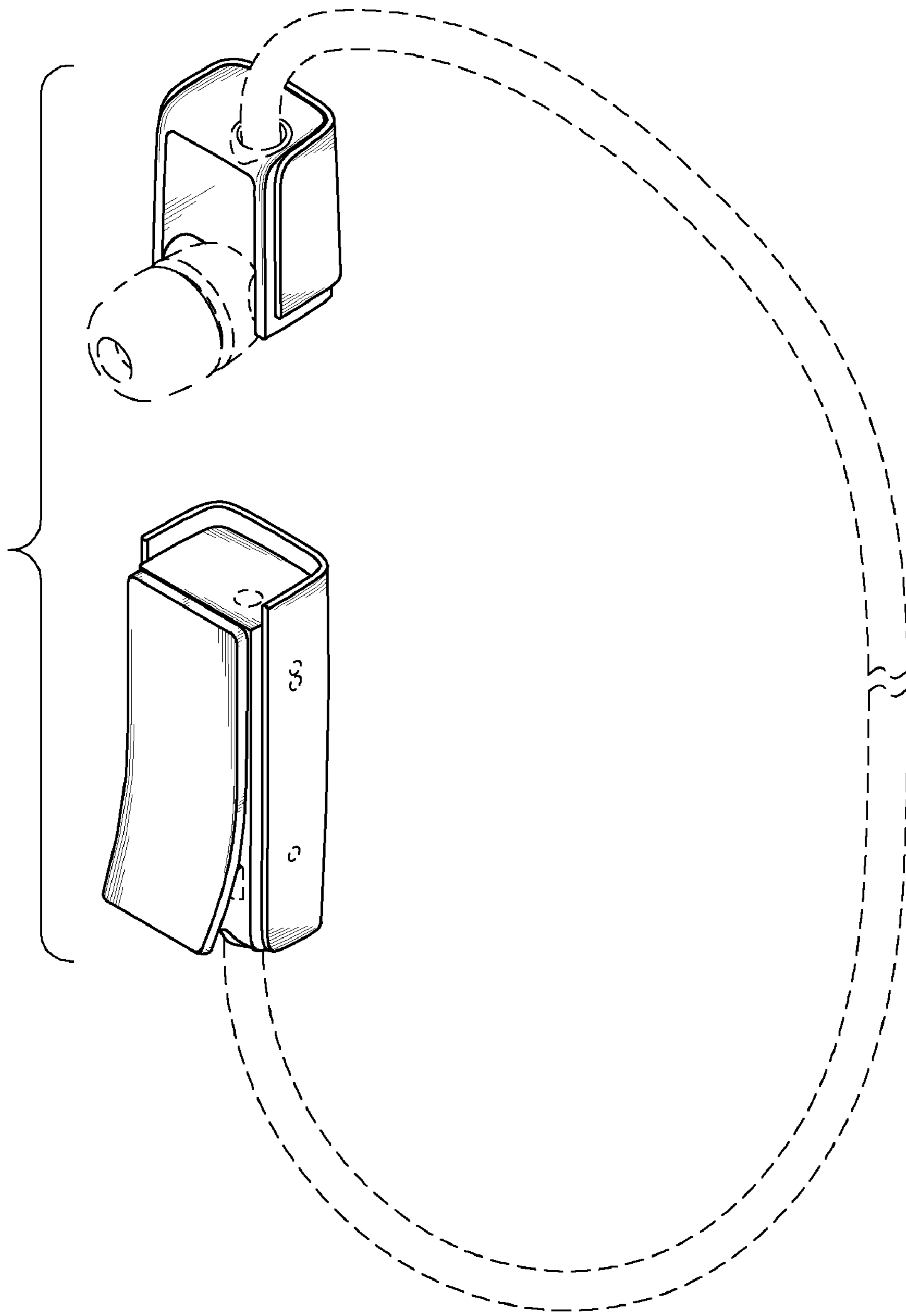


FIG. 8