



US00D642161S

(12) **United States Design Patent**  
**Akana et al.**

(10) **Patent No.:** **US D642,161 S**  
(45) **Date of Patent:** **\*\* Jul. 26, 2011**

(54) **REMOTE CONTROL**

(75) Inventors: **Jody Akana**, San Francisco, CA (US);  
**Bartley K. Andre**, Menlo Park, CA (US);  
**Jeremy Bataillou**, San Francisco, CA (US);  
**Daniel J. Coster**, San Francisco, CA (US);  
**Daniele De Iuliis**, San Francisco, CA (US);  
**Evans Hankey**, San Francisco, CA (US);  
**Richard P. Howarth**, San Francisco, CA (US);  
**Jonathan P. Ive**, San Francisco, CA (US);  
**Duncan Robert Kerr**, San Francisco, CA (US);  
**Shin Nishibori**, Portola Valley, CA (US);  
**Matthew Dean Rohrbach**, San Francisco, CA (US);  
**Peter Russell-Clarke**, San Francisco, CA (US);  
**Christopher J. Stringer**, Woodside, CA (US);  
**Eugene Antony Whang**, San Francisco, CA (US);  
**Rico Zorkendorfer**, San Francisco, CA (US)

(73) Assignee: **Apple Inc.**, Cupertino, CA (US)

(\*\*) Term: **14 Years**

(21) Appl. No.: **29/366,344**

(22) Filed: **Jul. 23, 2010**

**Related U.S. Application Data**

(62) Division of application No. 29/345,286, filed on Oct. 13, 2009, now Pat. No. Des. 620,456.

(51) **LOC (9) Cl.** ..... **08-08**

(52) **U.S. Cl.** ..... **D14/218; D13/168**

(58) **Field of Classification Search** ..... D14/174,  
D14/137-139, 151, 217, 218, 191-193, 167,  
D14/299, 168, 247, 455, 456; D13/168,  
D13/162-164; D21/512-517, 566; D10/104,  
D10/106; 345/169; 348/114, 734; 455/352-355,  
455/151.1-151.4, 128, 347, 90.3  
See application file for complete search history.

(56) **References Cited**

U.S. PATENT DOCUMENTS

D381,663 S \* 7/1997 Friis ..... D14/141.3  
(Continued)

FOREIGN PATENT DOCUMENTS

JP D1204966 5/2004

OTHER PUBLICATIONS

Search Report for New Design Patnt [sic] Application. ROC (Taiwan)  
New Design Patent Application No. 099301163 (Translation). Date  
of Completion: Sep. 20, 2010.

*Primary Examiner* — Celia Murphy

*Assistant Examiner* — John Windmuller

(74) *Attorney, Agent, or Firm* — Sterne, Kessler, Goldstein  
& Fox PLLC

(57) **CLAIM**

The ornamental design for a remote control, as shown and  
described.

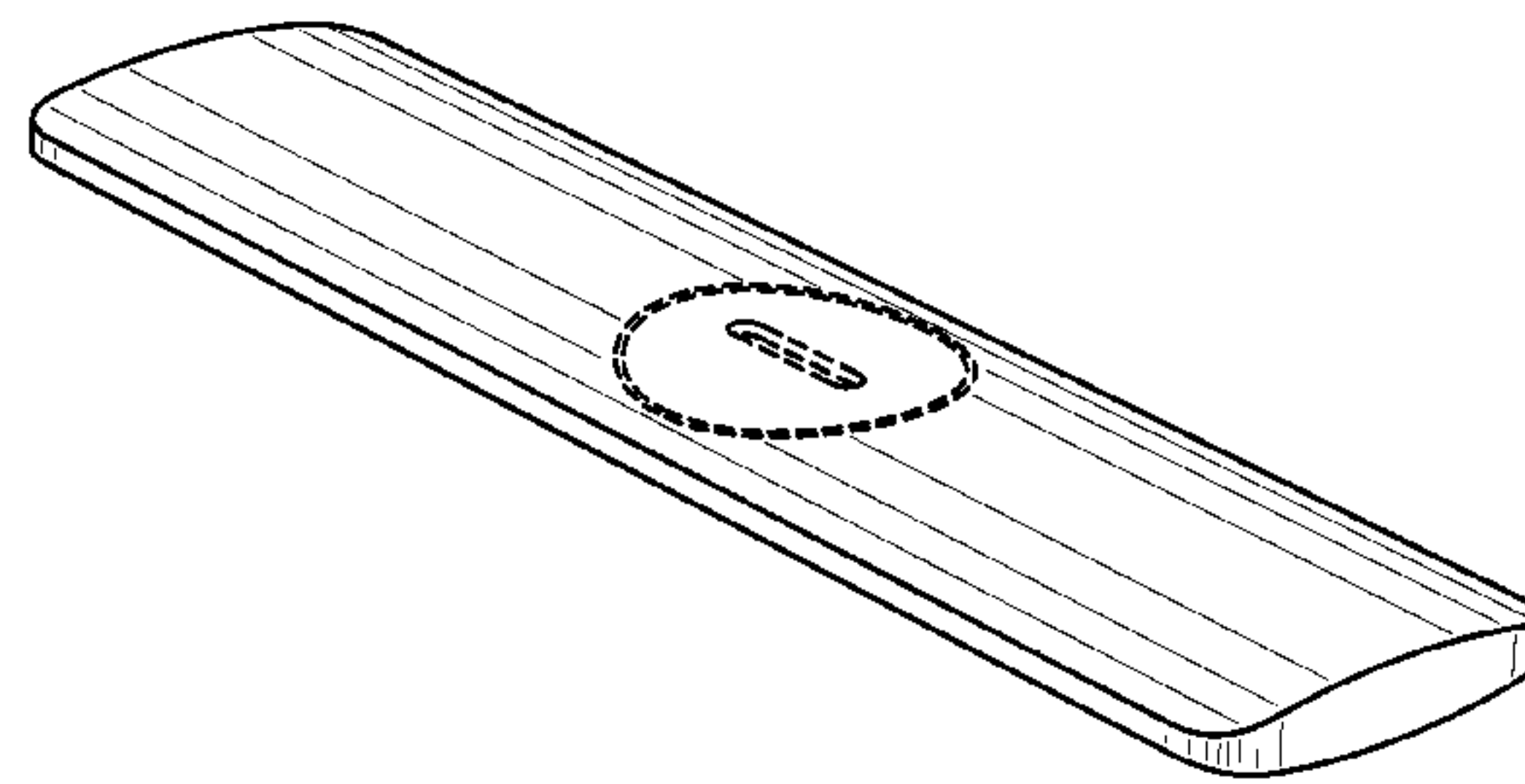
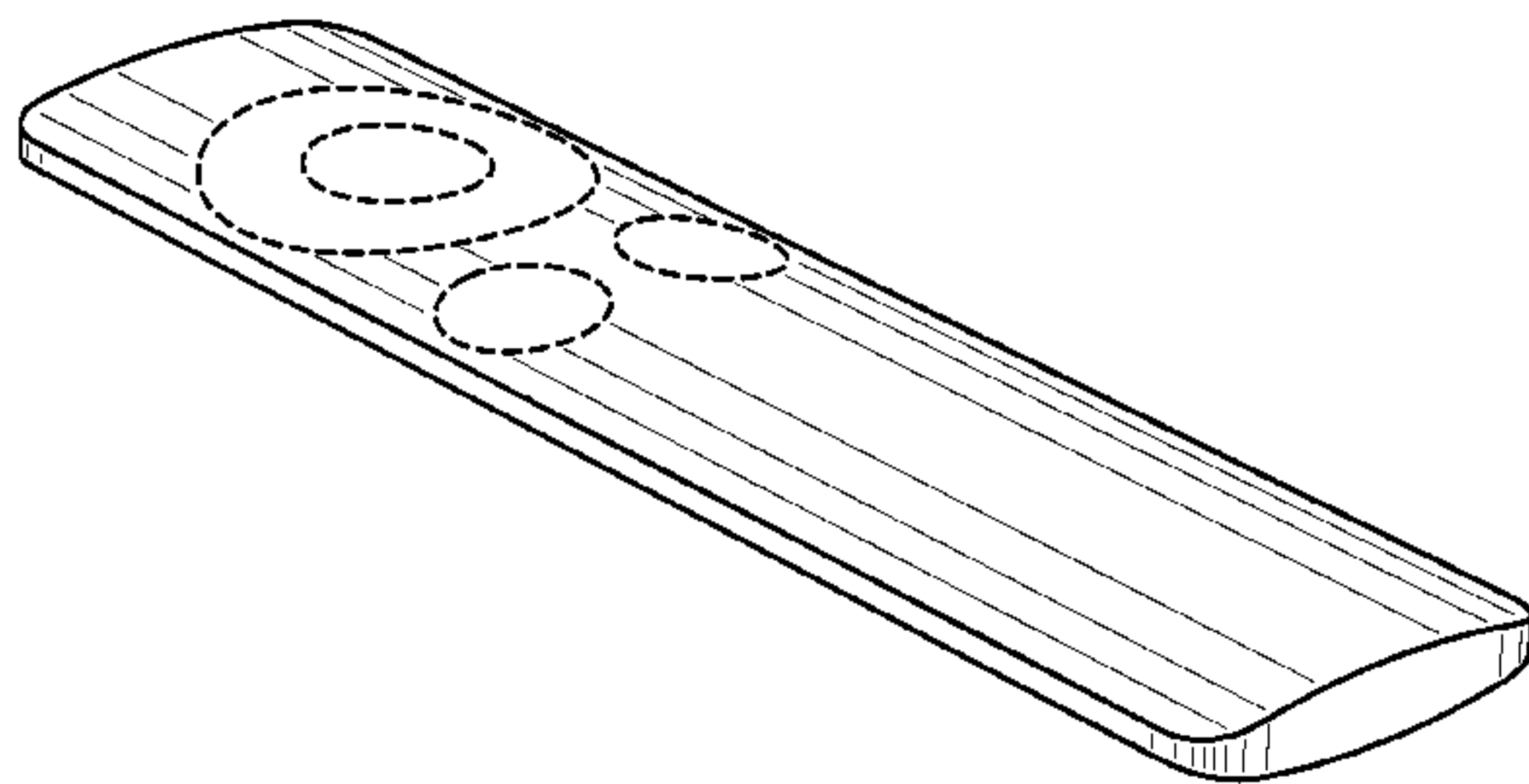
**DESCRIPTION**

FIG. 1 is a bottom front perspective view of a remote control  
showing our new design;  
FIG. 2 is a bottom rear perspective view thereof;  
FIG. 3 is top front perspective view thereof;  
FIG. 4 is top rear perspective view thereof;  
FIG. 5 is a front view thereof;  
FIG. 6 is a rear view thereof;  
FIG. 7 is a left side view thereof;  
FIG. 8 is right side view thereof;  
FIG. 9 is a top plan view thereof; and,  
FIG. 10 is a bottom plan view thereof.

The shade lines in the Figures show contour and not surface  
ornamentation.

The broken lines in the figures represent the boundary of the  
claim; the areas within the broken lines as well as the broken  
lines themselves, form no part of the claimed design.

**1 Claim, 4 Drawing Sheets**



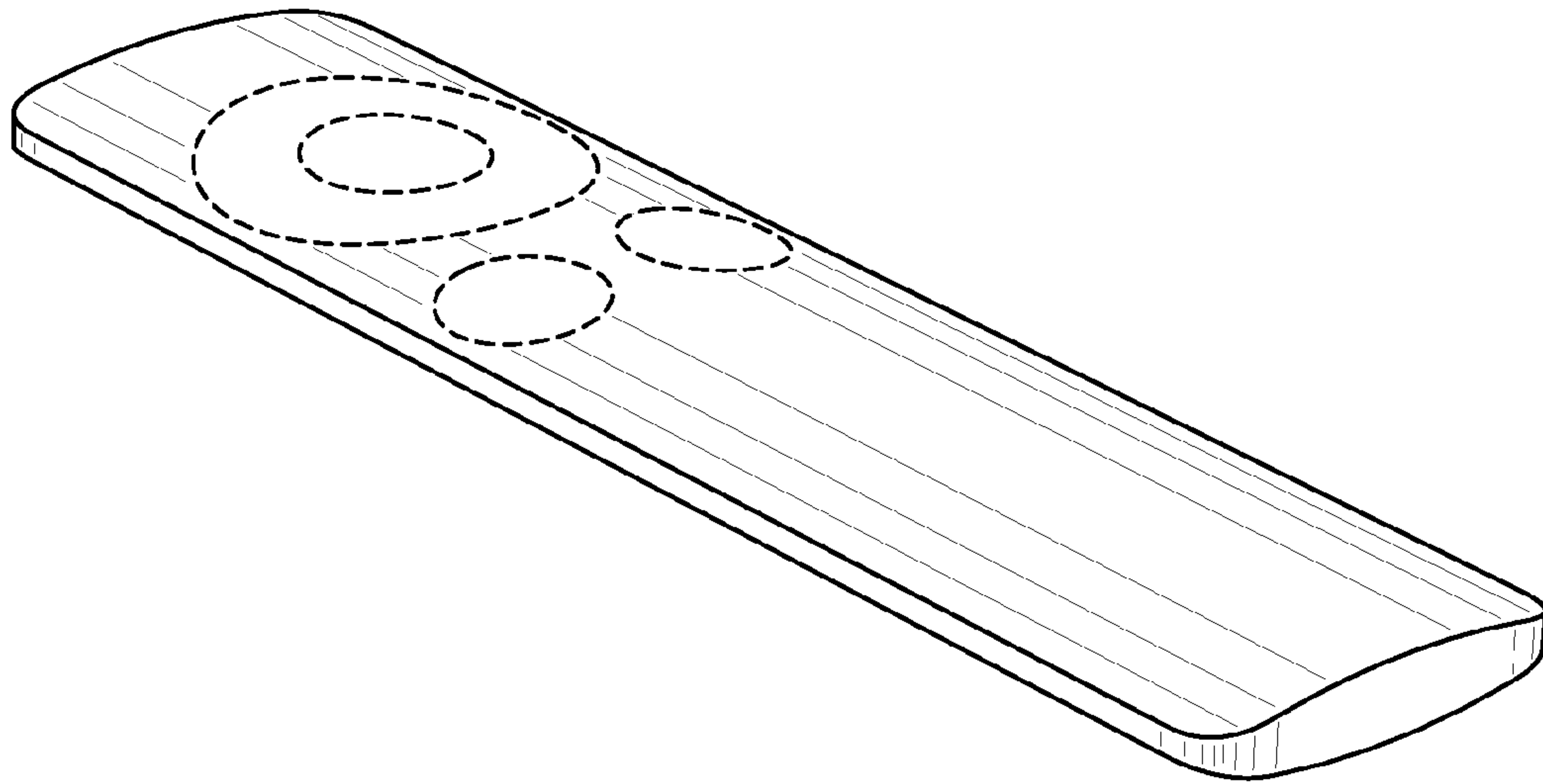
# US D642,161 S

Page 2

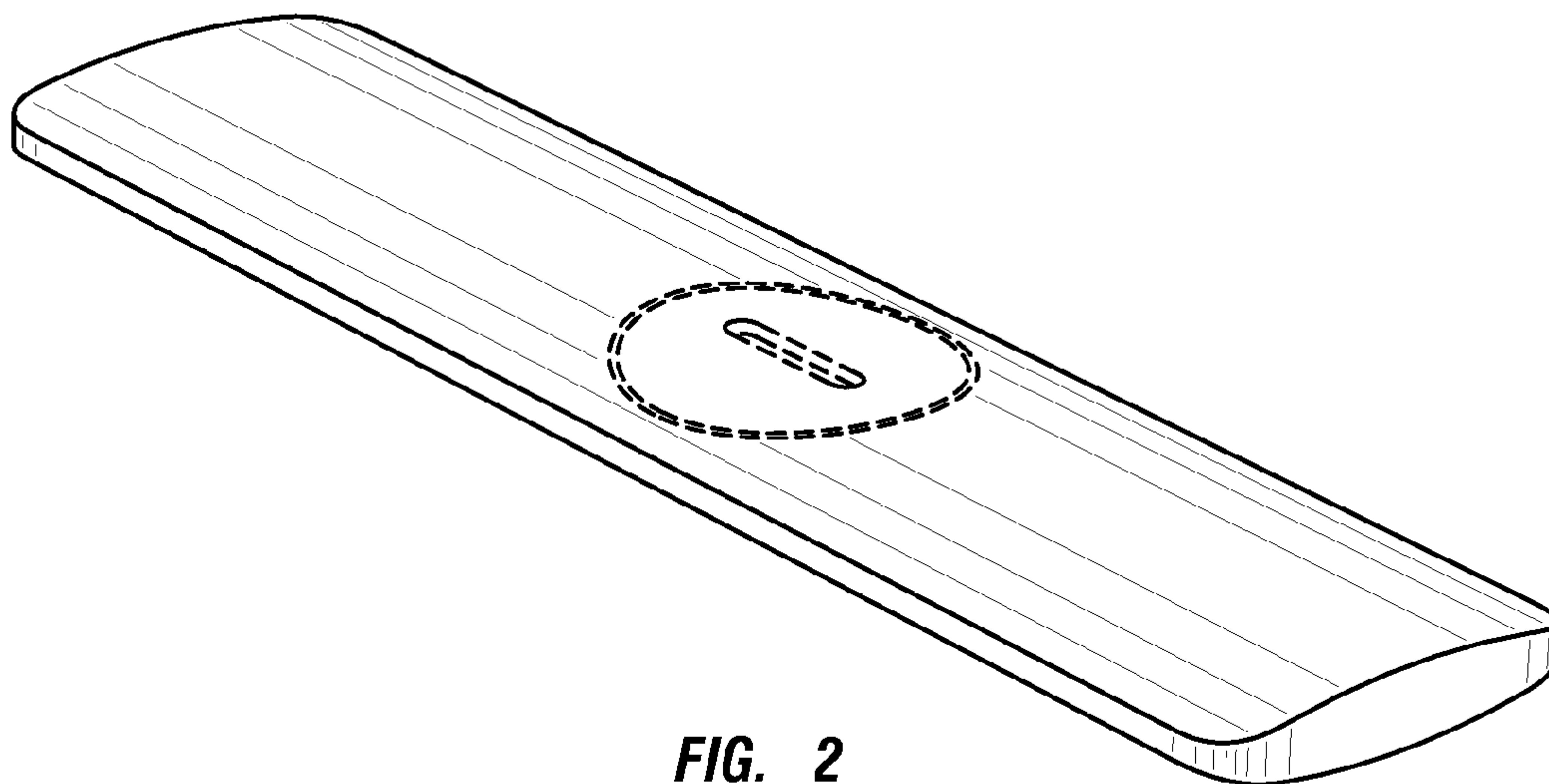
## U.S. PATENT DOCUMENTS

D433,404 S	*	11/2000	Thakur .....	D14/218			
D475,359 S	*	6/2003	Hirose .....	D14/480.1			
D477,590 S		7/2003	Ahn				
D496,031 S		9/2004	Ma et al.				
D500,301 S		12/2004	Deguchi				
D500,485 S		1/2005	Deguchi				
D509,480 S		9/2005	Li				
D531,586 S	*	11/2006	Poulet .....	D13/168			
D534,921 S		1/2007	Andre et al.				
D539,814 S		4/2007	Andre et al.				
D547,327 S		7/2007	Kin				
D548,195 S		8/2007	Poulet				
D550,703 S		9/2007	Koizumi				
D551,215 S		9/2007	Lee et al.				
D556,154 S		11/2007	Poulet et al.				
D557,666 S	*	12/2007	Schroter .....	D13/168			
D560,230 S		1/2008	Yagi et al.				
D567,801 S		4/2008	Trappler				
D568,827 S		5/2008	Ikeda et al.				
D571,305 S		6/2008	Thursfield				
D584,292 S		1/2009	Knight				
D585,077 S		1/2009	Sheba et al.				
D588,611 S		3/2009	Oh et al.				
D589,963 S		4/2009	Sheba et al.				
D592,677 S		5/2009	Sheba et al.				
D595,669 S		7/2009	Endo et al.				
D596,163 S		7/2009	Madonna et al.				
D604,713 S		11/2009	Andre et al.				
D604,723 S		11/2009	Bodley et al.				
D605,635 S	*	12/2009	Edahiro et al. ....	D14/218			
D606,519 S	*	12/2009	Painter .....	D14/218			
D608,303 S		1/2010	Klausing et al.				
D608,765 S	*	1/2010	Tsai et al. ....	D14/218			
D609,695 S		2/2010	Cigliano et al.				
D611,433 S		3/2010	Tang et al.				
D631,851 S	*	2/2011	Smith et al. ....	D13/168			
2004/0125078	A1	7/2004	Nishimori et al.				
2005/0024321	A1	2/2005	Tsai				

\* cited by examiner



**FIG. 1**



**FIG. 2**

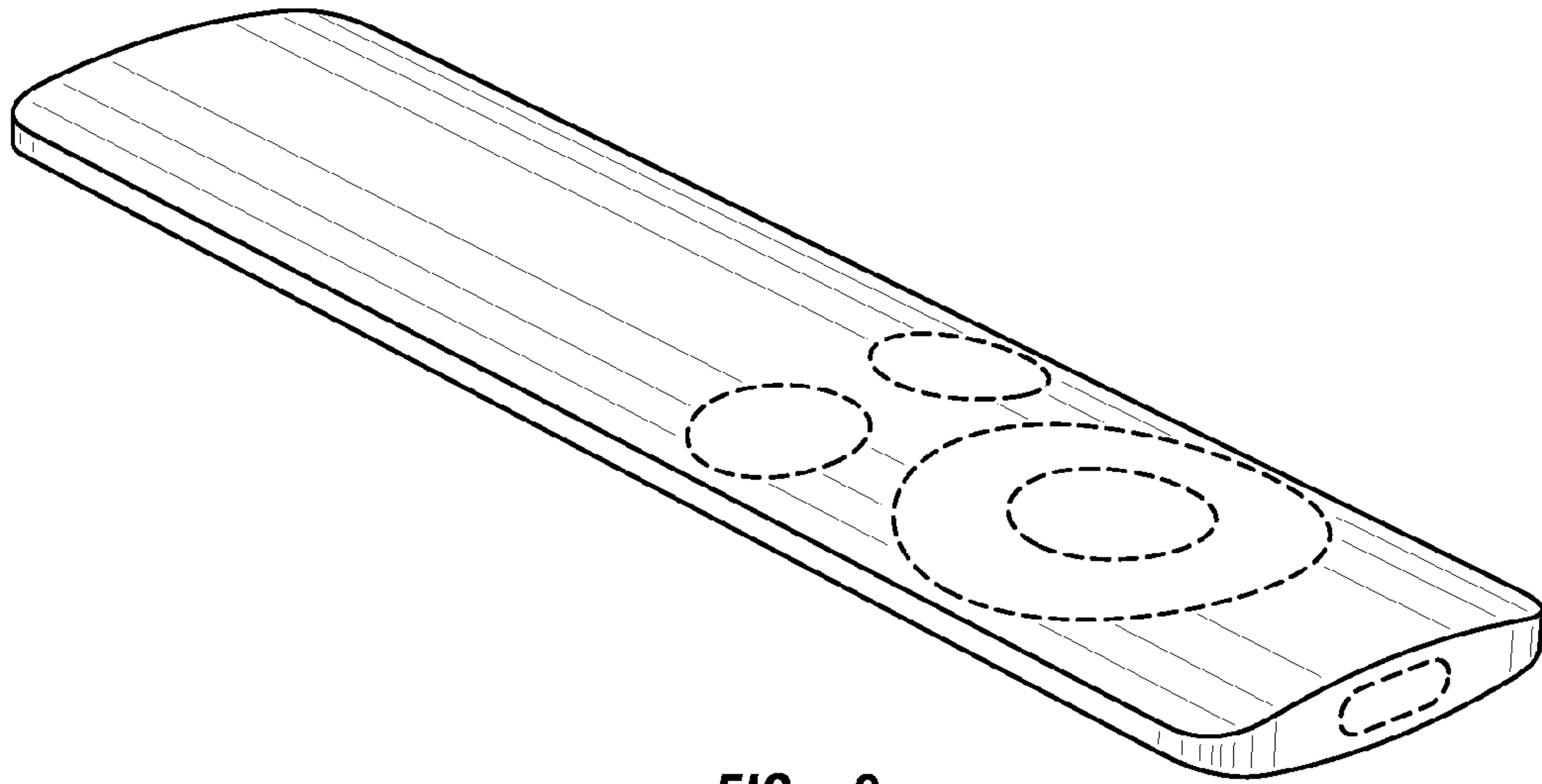


FIG. 3

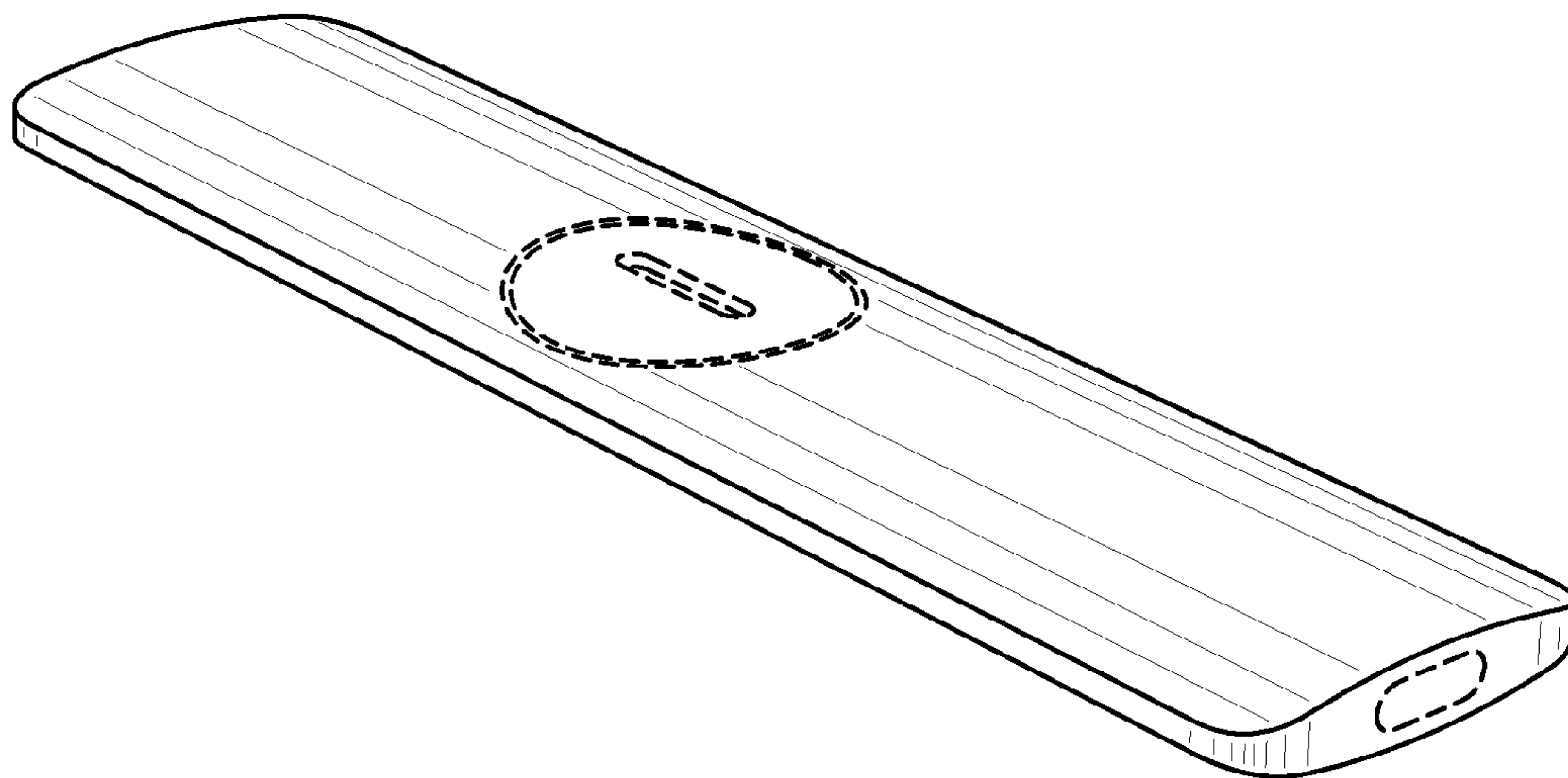


FIG. 4

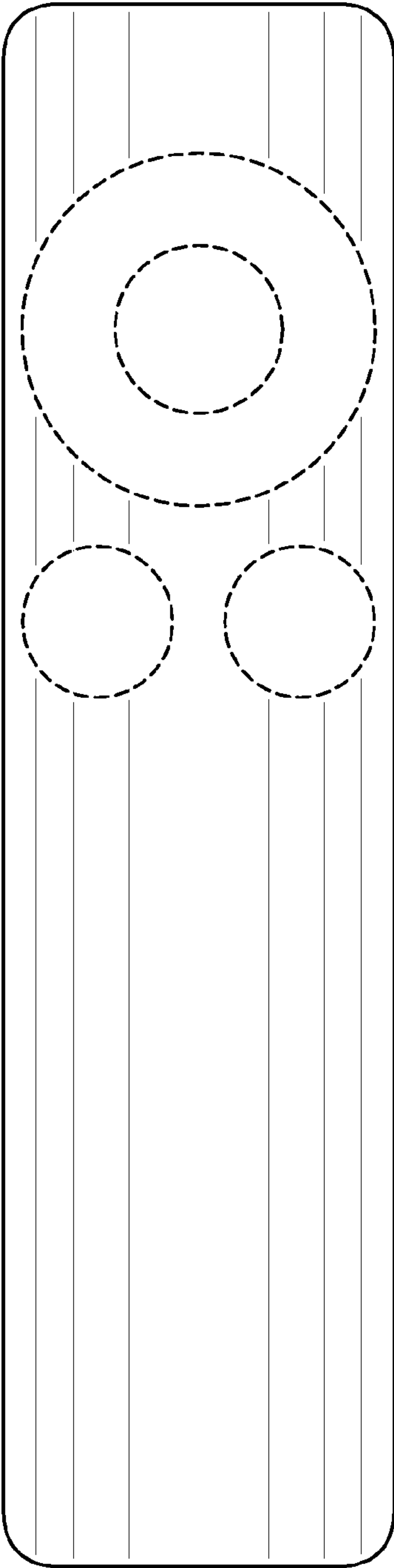


FIG. 5

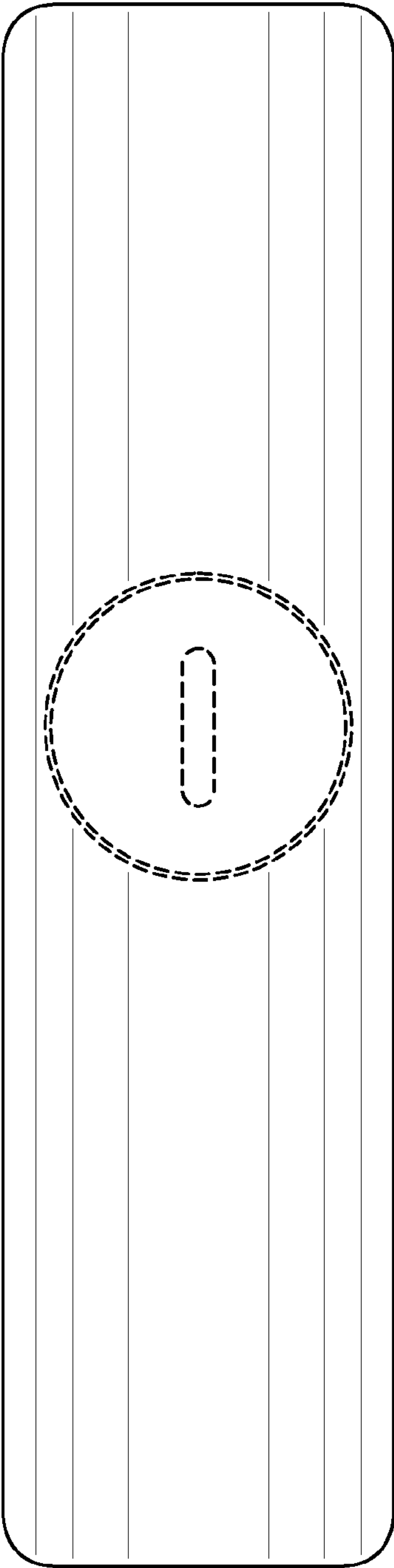


FIG. 6



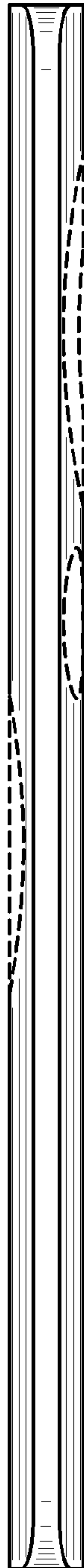


FIG. 7

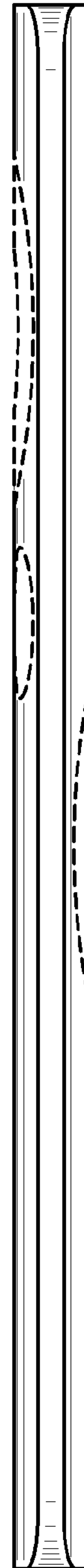


FIG. 8

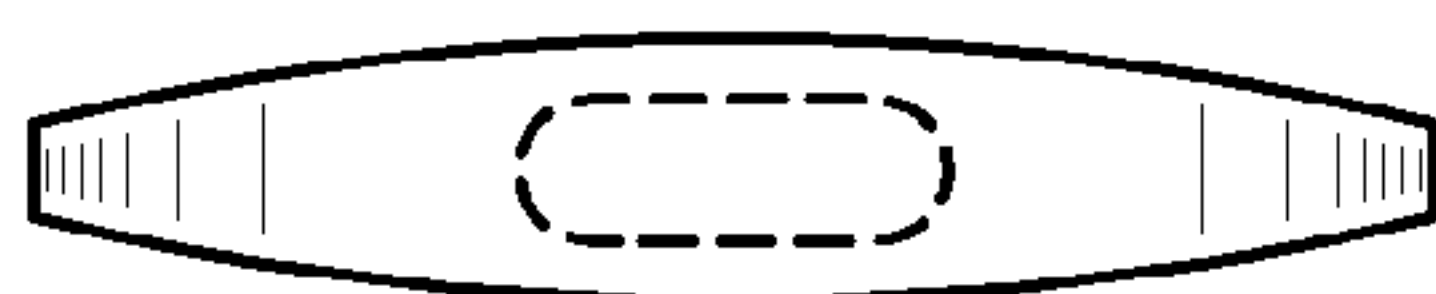


FIG. 9



FIG. 10