



US00D642159S

(12) **United States Design Patent**
Joseph

(10) **Patent No.:** **US D642,159 S**
(45) **Date of Patent:** **** Jul. 26, 2011**

(54) **BLUETOOTH PORTABLE SPEAKER**

(75) Inventor: **Brian Joseph**, Brooklyn, NY (US)

(73) Assignee: **SDI Technologies, Inc.**, Rahway, NJ (US)

(**) Term: **14 Years**

(21) Appl. No.: **29/368,797**

(22) Filed: **Aug. 30, 2010**

(51) **LOC (9) Cl.** **14-01**

(52) **U.S. Cl.** **D14/215**

(58) **Field of Classification Search** D14/204,
D14/210–216, 172; 181/143–144, 147–148,
181/150–153, 157, 198–199; 381/300–303,
381/306, 332–333, 336, 345, 361–364, 386–388
See application file for complete search history.

(56) **References Cited**

U.S. PATENT DOCUMENTS

D496,351 S *	9/2004	Allen	D14/211
D501,845 S *	2/2005	Allen	D14/216
D537,071 S *	2/2007	Chen	D14/215
D574,811 S *	8/2008	Zhang	D14/216

* cited by examiner

Primary Examiner — Nanda Bondade

(74) *Attorney, Agent, or Firm* — Ostrolenk Faber LLP

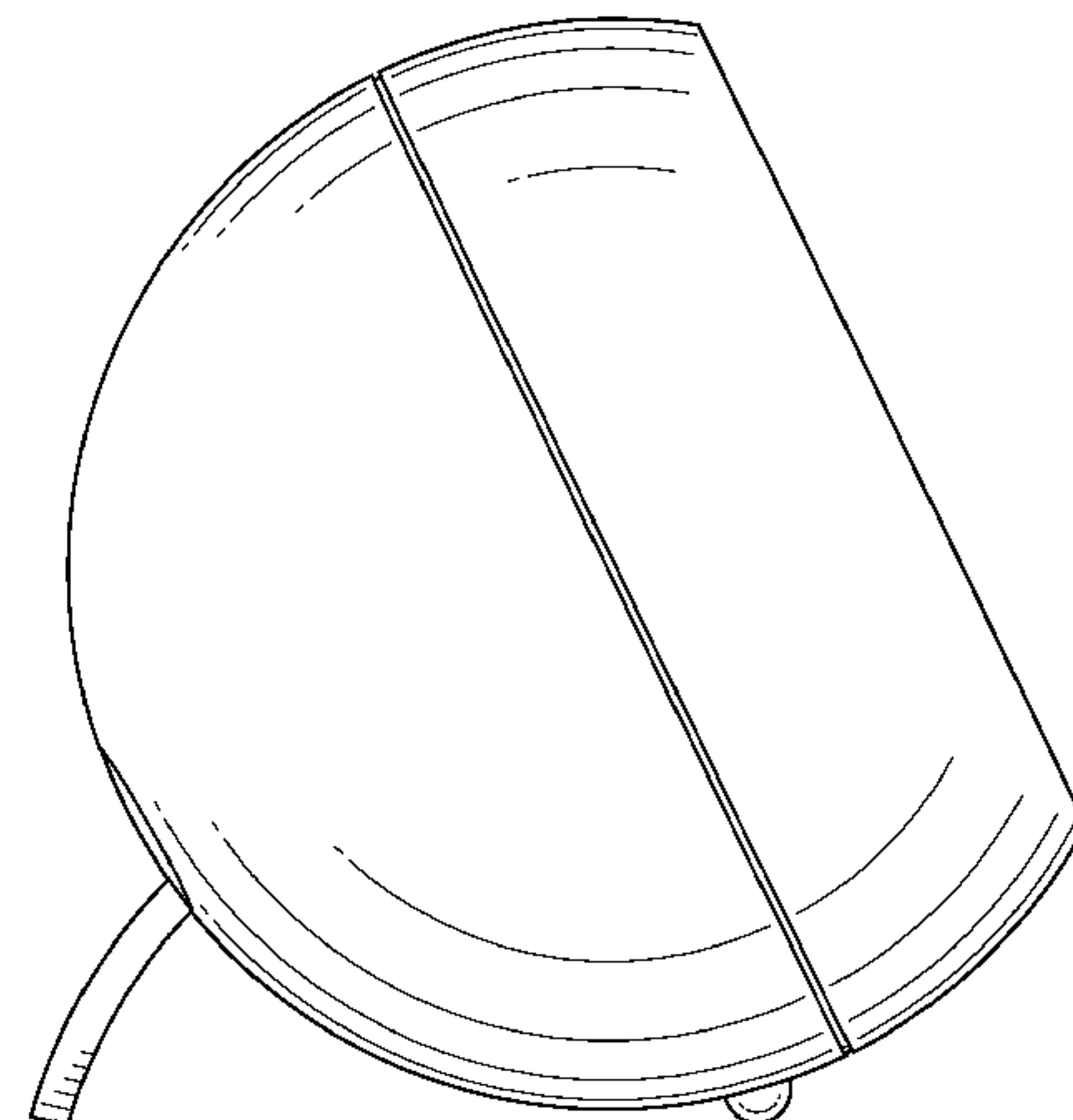
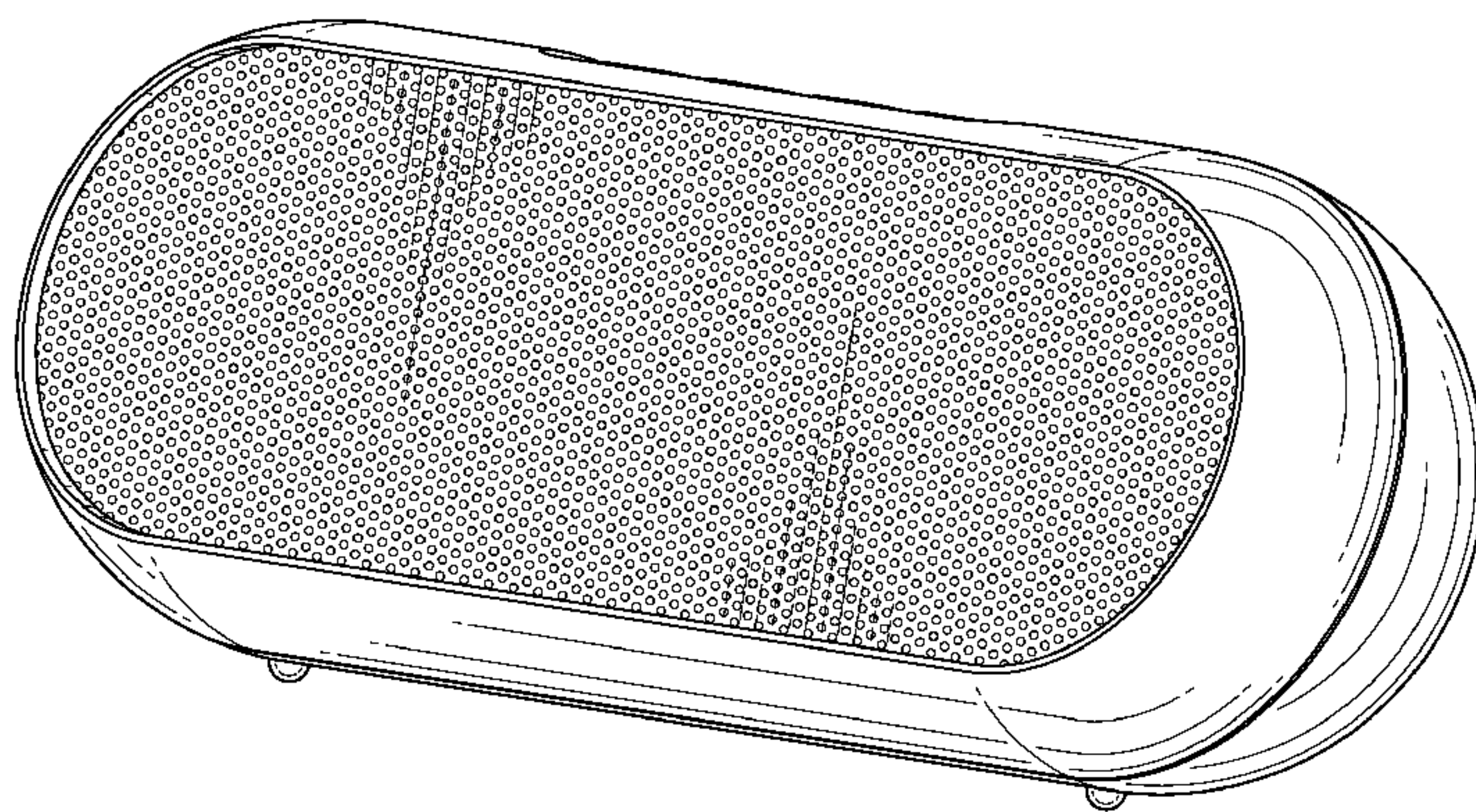
(57) **CLAIM**

The ornamental design for a bluetooth portable speaker, as shown and described.

DESCRIPTION

FIG. 1 is a top, front, right side, perspective view of a bluetooth portable speaker showing my new design;
 FIG. 2 is a front view thereof;
 FIG. 3 is a rear view thereof;
 FIG. 4 is a top view thereof;
 FIG. 5 is a bottom view thereof;
 FIG. 6 is a left side view thereof;
 FIG. 7 is a cross-sectional view along line 7—7 in FIG. 3;
 FIG. 8 is a top, front, perspective view thereof in a second condition;
 FIG. 9 is a rear view thereof;
 FIG. 10 is a top view thereof;
 FIG. 11 is a bottom view thereof;
 FIG. 12 is a left side view thereof; and,
 FIG. 13 is a cross-sectional view along line 13—13 in FIG. 9.
 The broken lines in the drawings illustrate environmental material that forms no part of the claimed design.

1 Claim, 13 Drawing Sheets



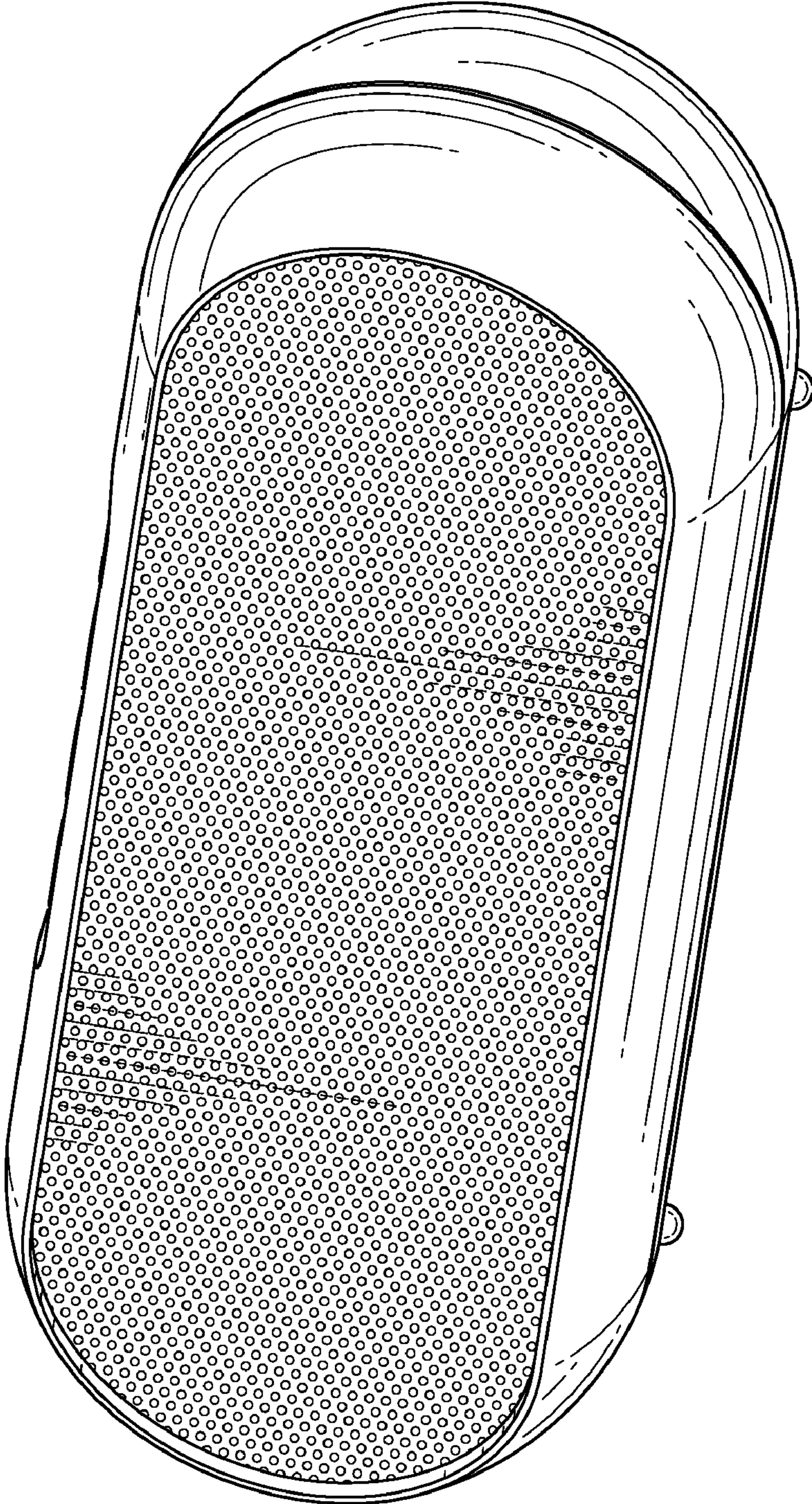


FIG.1

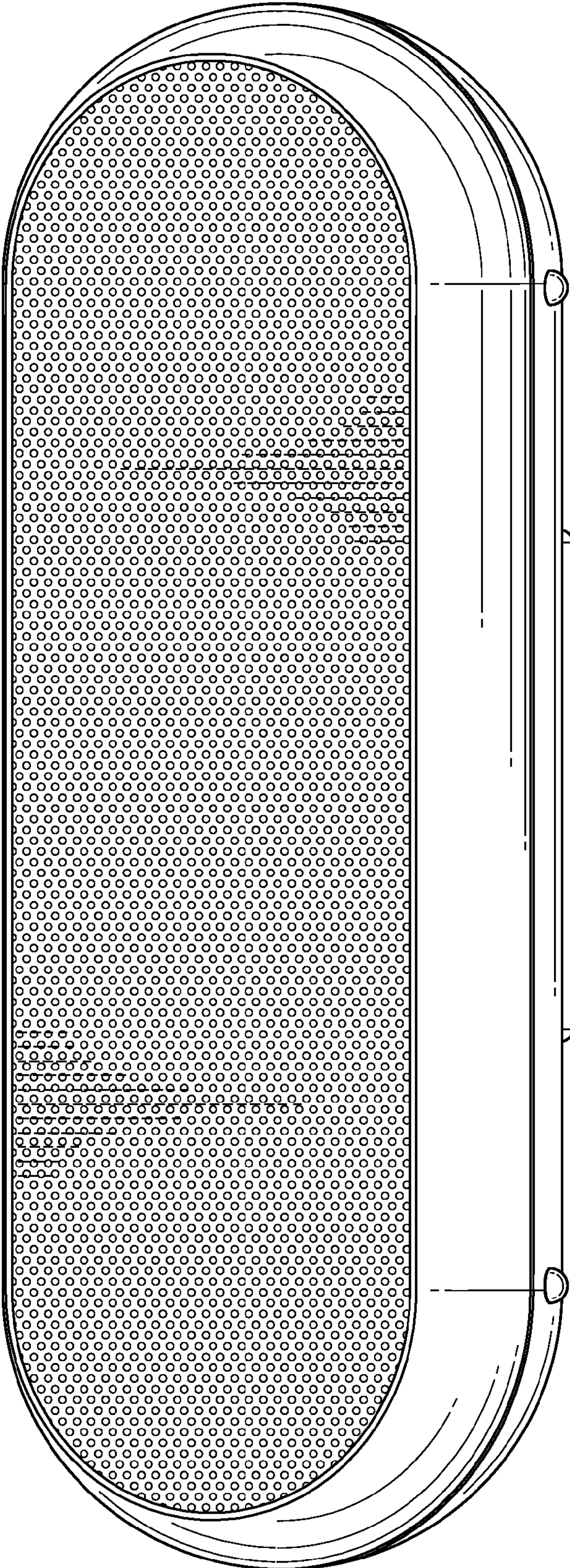


FIG. 2

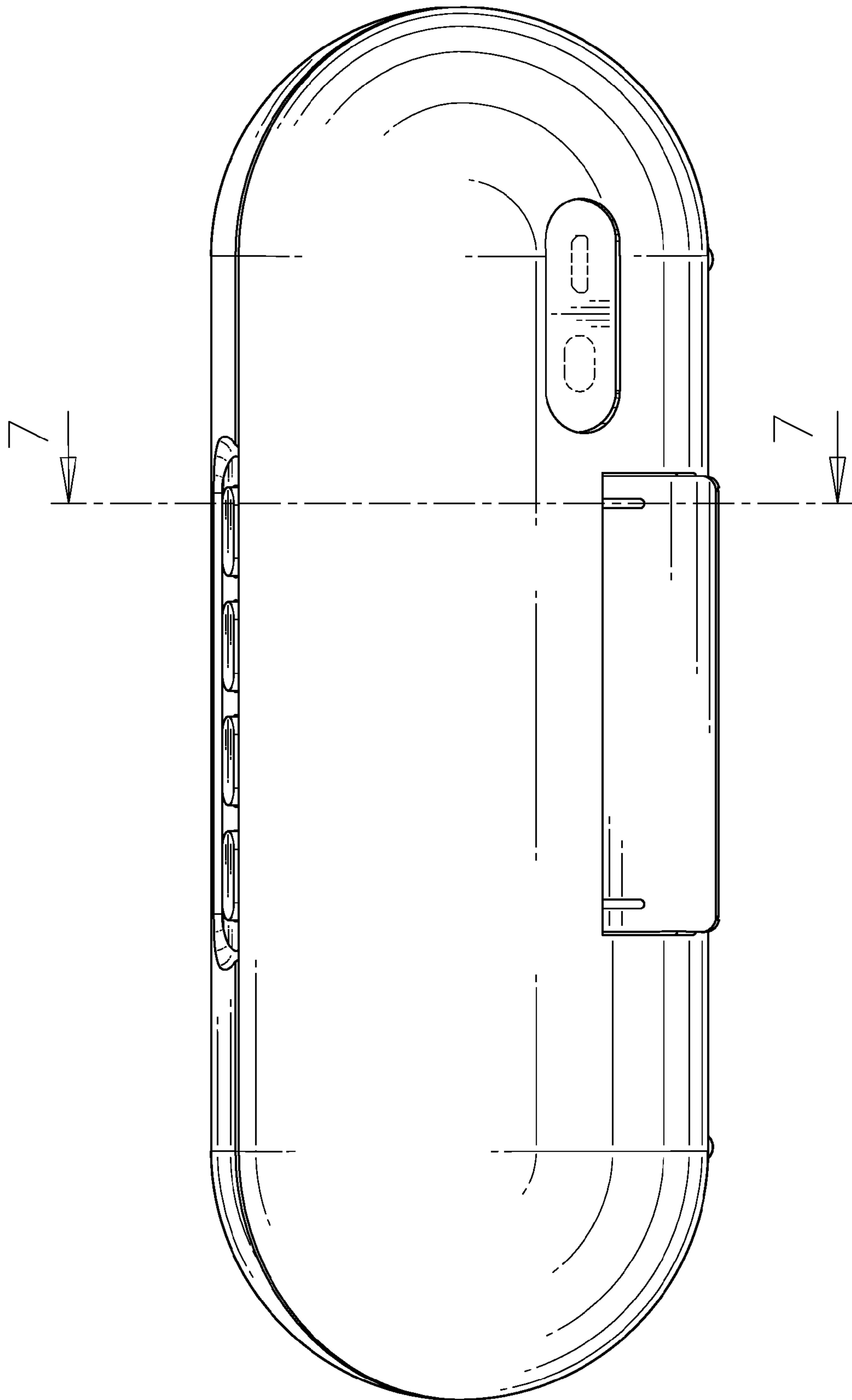


FIG. 3

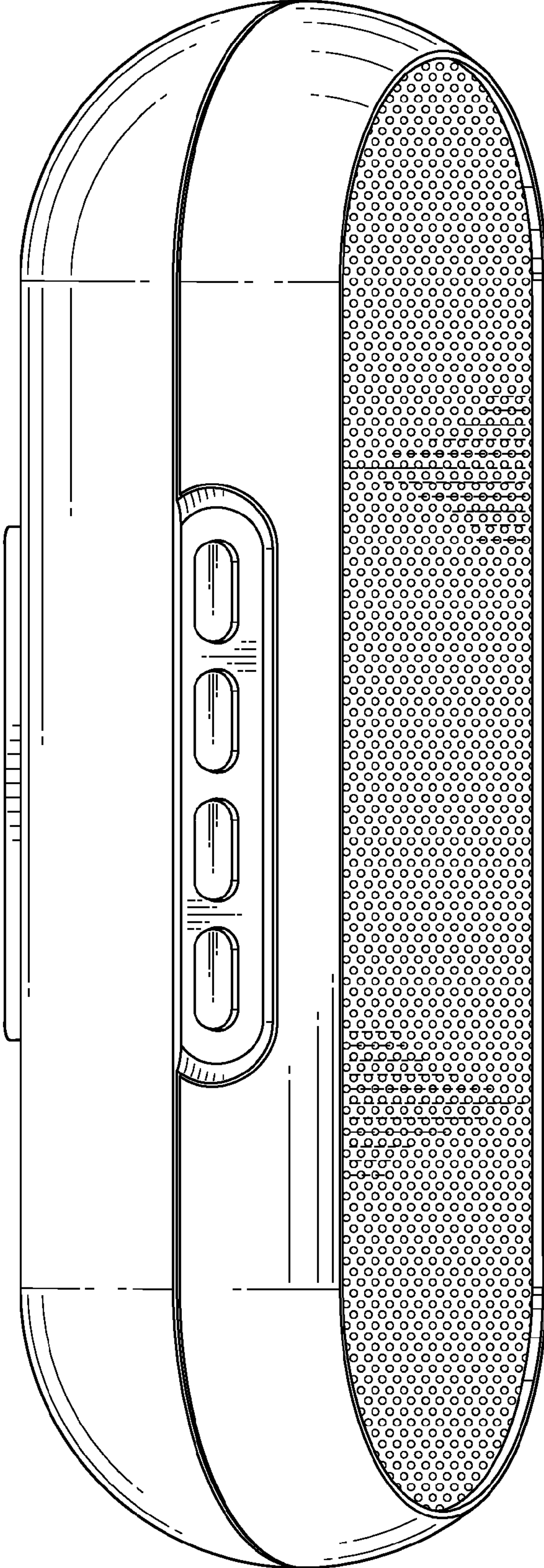


FIG. 4

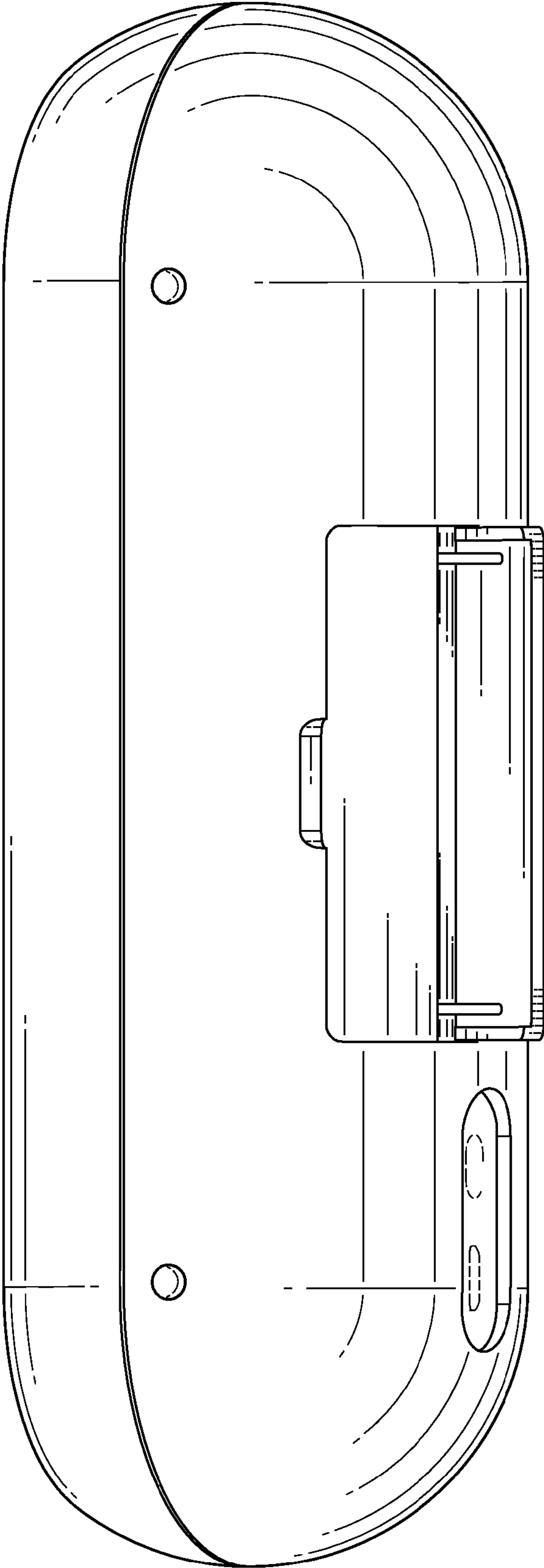


FIG. 5

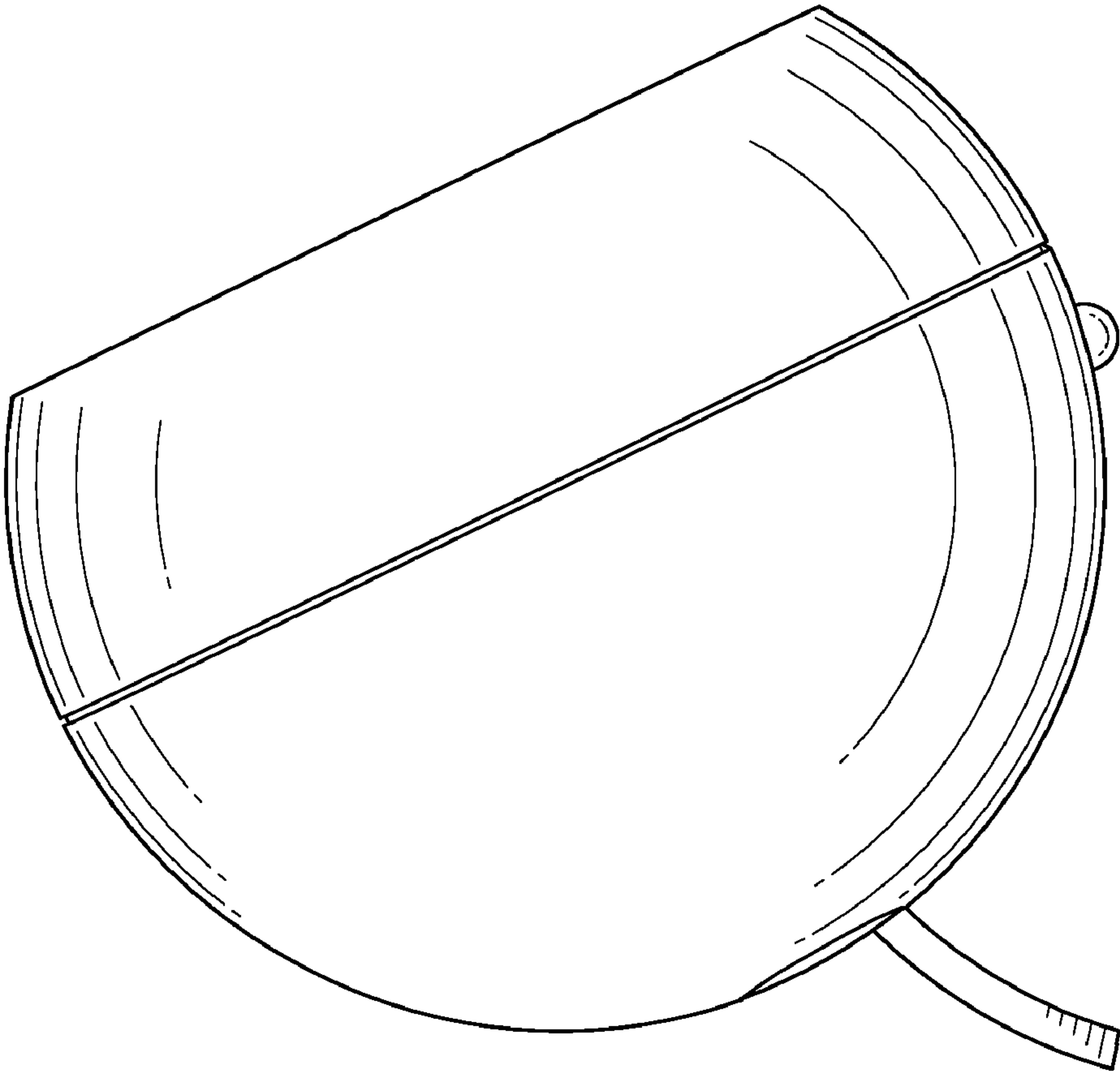


FIG. 6

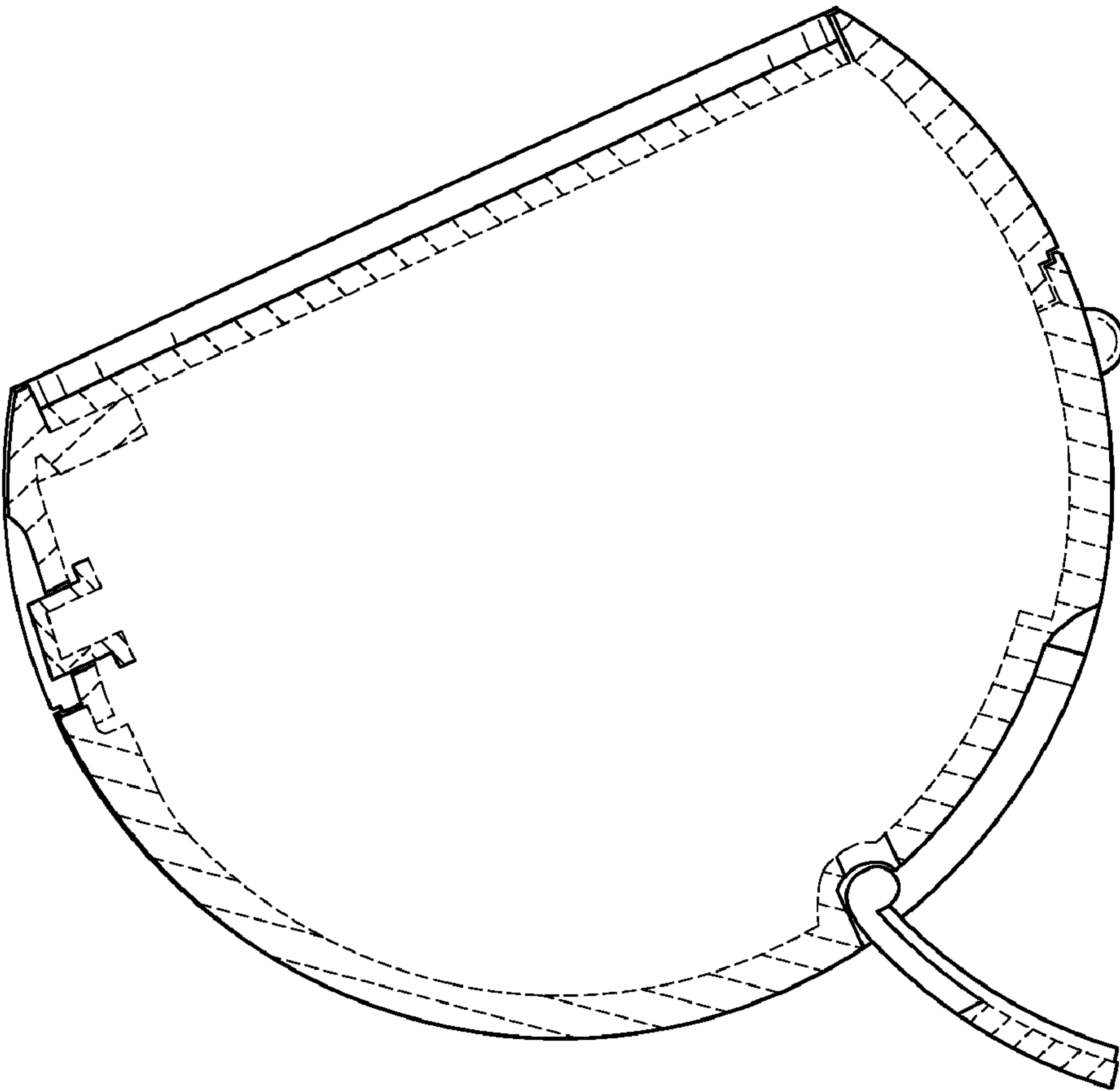


FIG. 7

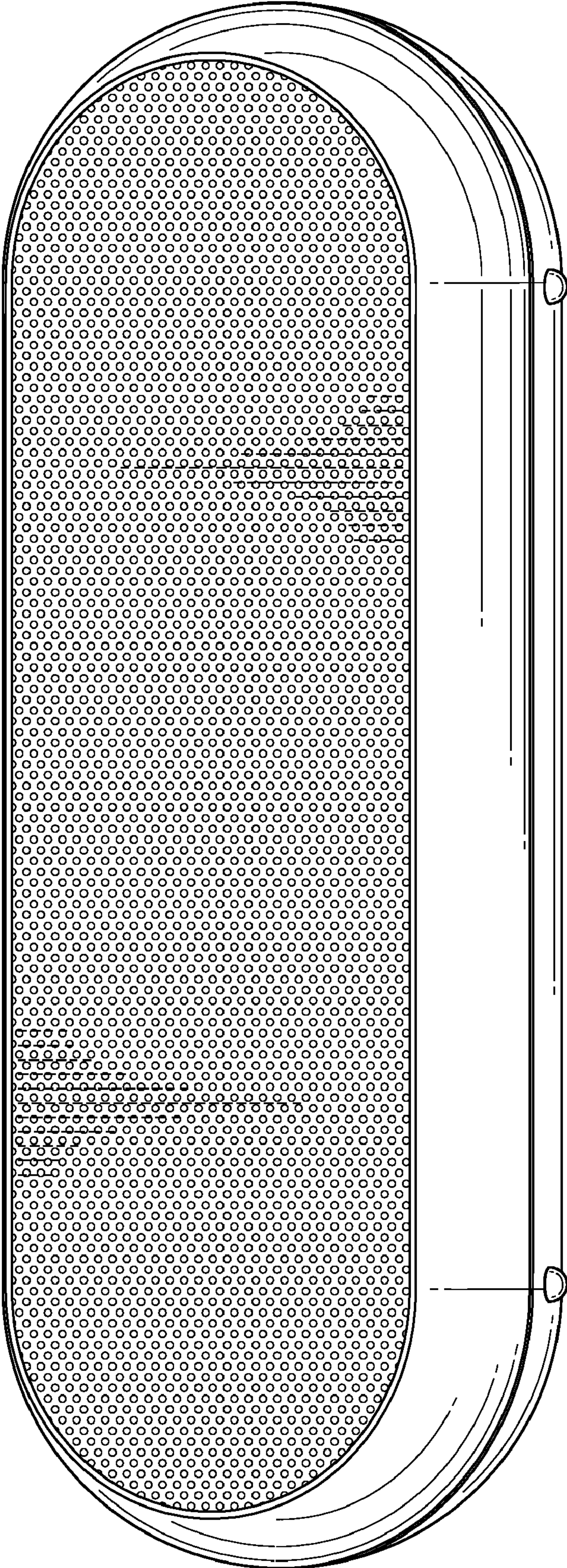


FIG. 8

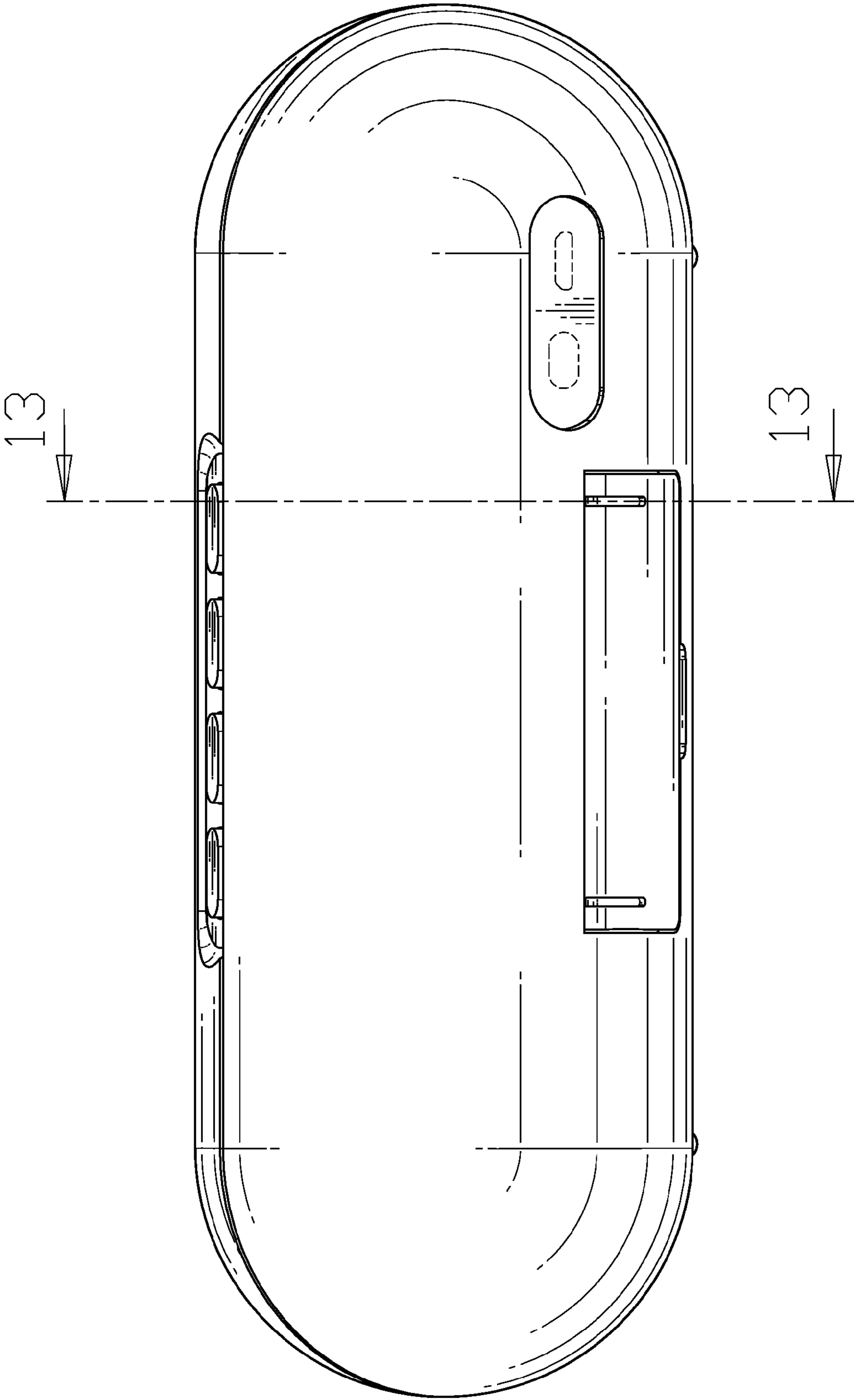


FIG. 9

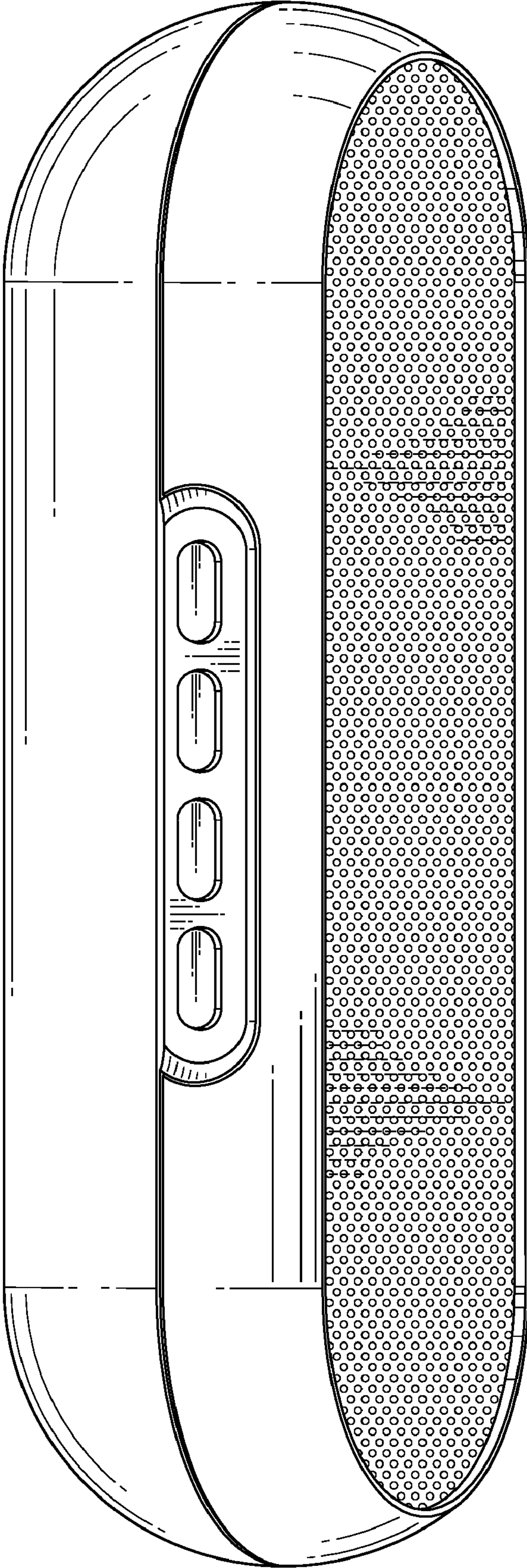


FIG. 10

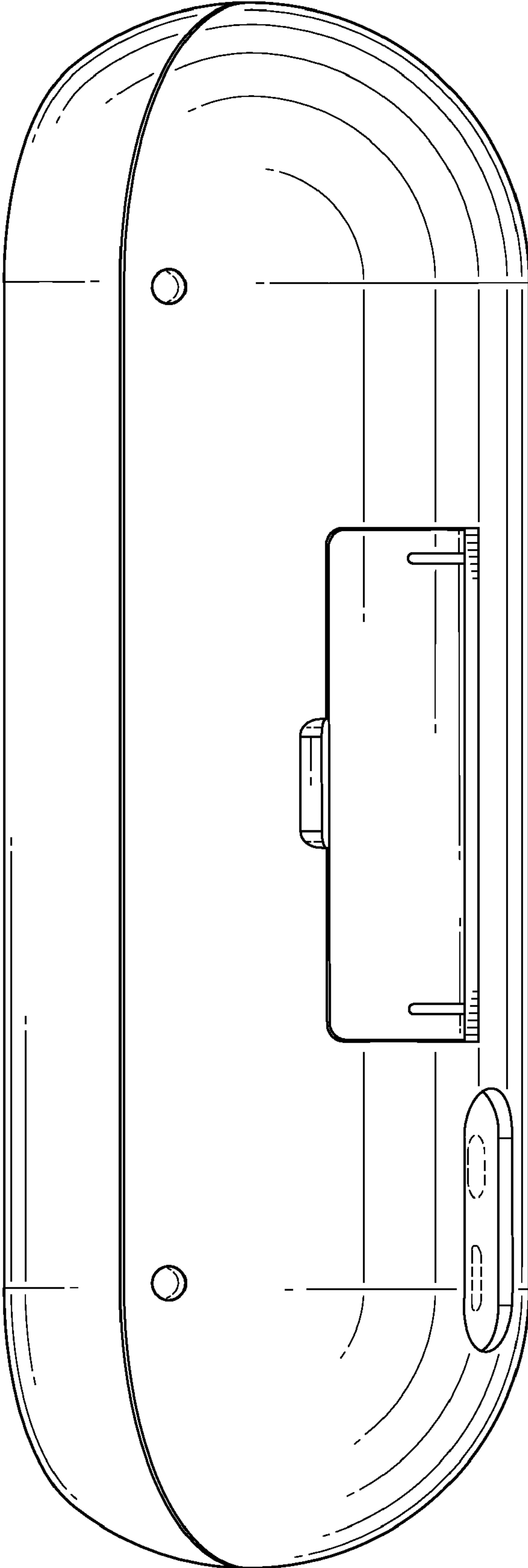


FIG. 11

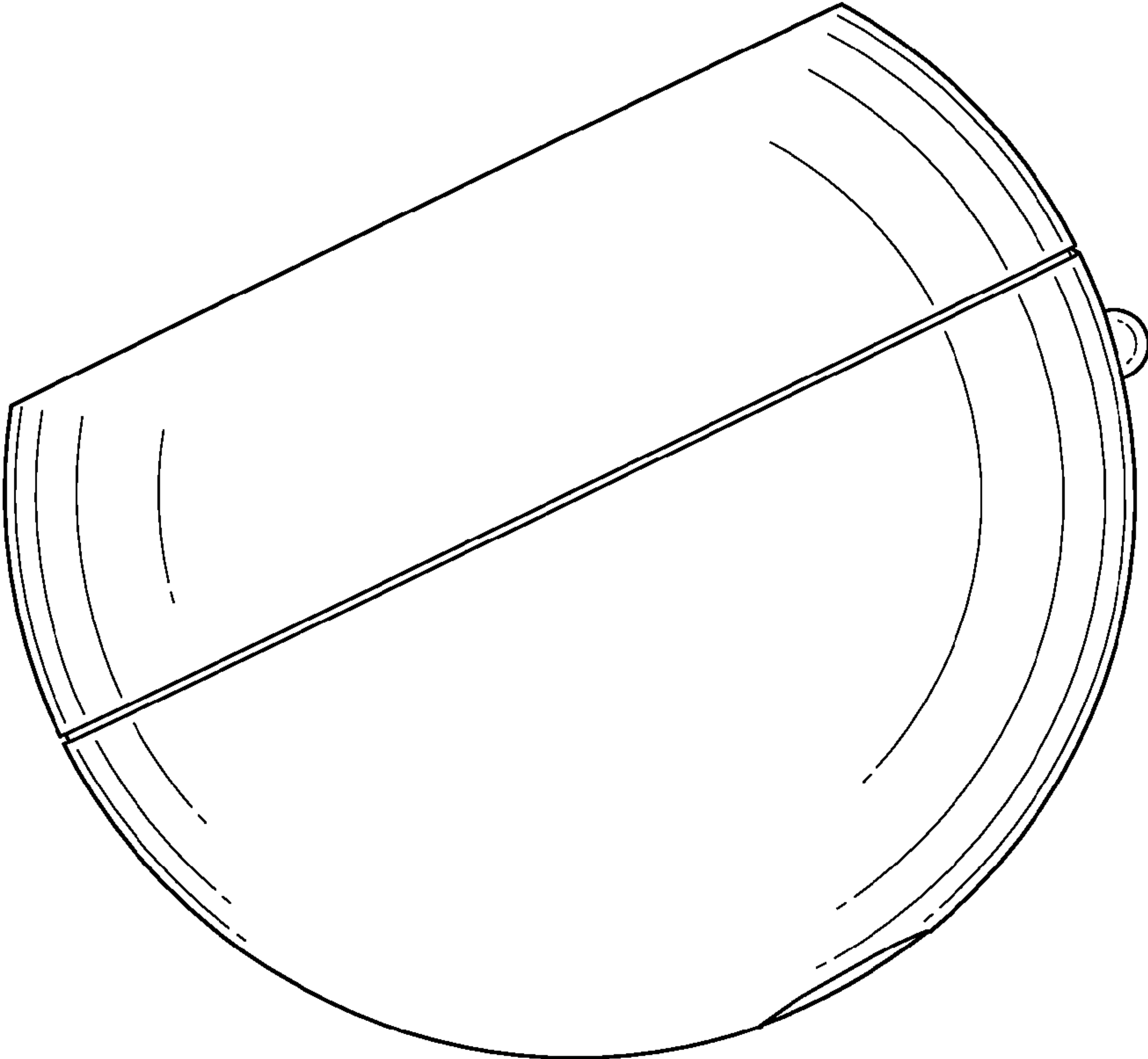


FIG. 12

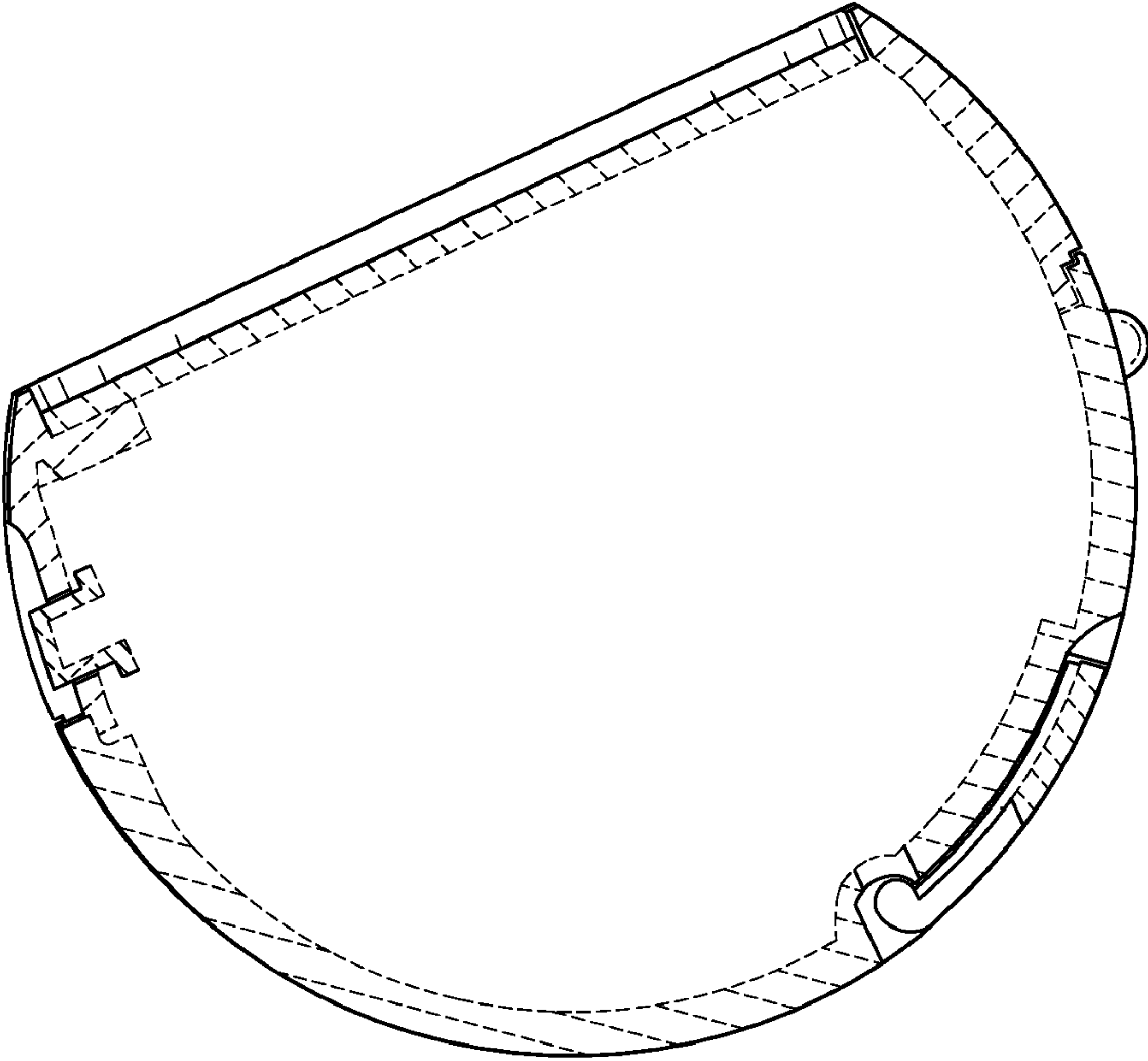


FIG.13