



US00D642156S

(12) **United States Design Patent**  
**Joseph**

(10) **Patent No.:** **US D642,156 S**  
(45) **Date of Patent:** **\*\* Jul. 26, 2011**

- (54) **LARGE SCREEN MEDIA PLAYER CHARGING SPEAKER SYSTEM**
  - (75) Inventor: **Brian Joseph**, Brooklyn, NY (US)
  - (73) Assignee: **SDI Technologies, Inc.**, Rahway, NJ (US)
  - (\*\*) Term: **14 Years**
  - (21) Appl. No.: **29/368,469**
  - (22) Filed: **Aug. 24, 2010**
  - (51) **LOC (9) Cl.** ..... **14-01**
  - (52) **U.S. Cl.** ..... **D14/209.1**
  - (58) **Field of Classification Search** ..... D14/204, D14/207, 209.1, 210–216, 171, 172, 168; 181/143–144, 147–148, 150–153, 157, 198–199; 381/300–303, 306, 332–333, 336, 345, 361–364, 381/386–388
- See application file for complete search history.

(56) **References Cited**

**U.S. PATENT DOCUMENTS**

- D587,675 S \* 3/2009 Xie ..... D14/214
- D589,930 S \* 4/2009 McGeeney ..... D14/172

D596,156 S \* 7/2009 Morisawa ..... D14/209.1  
\* cited by examiner

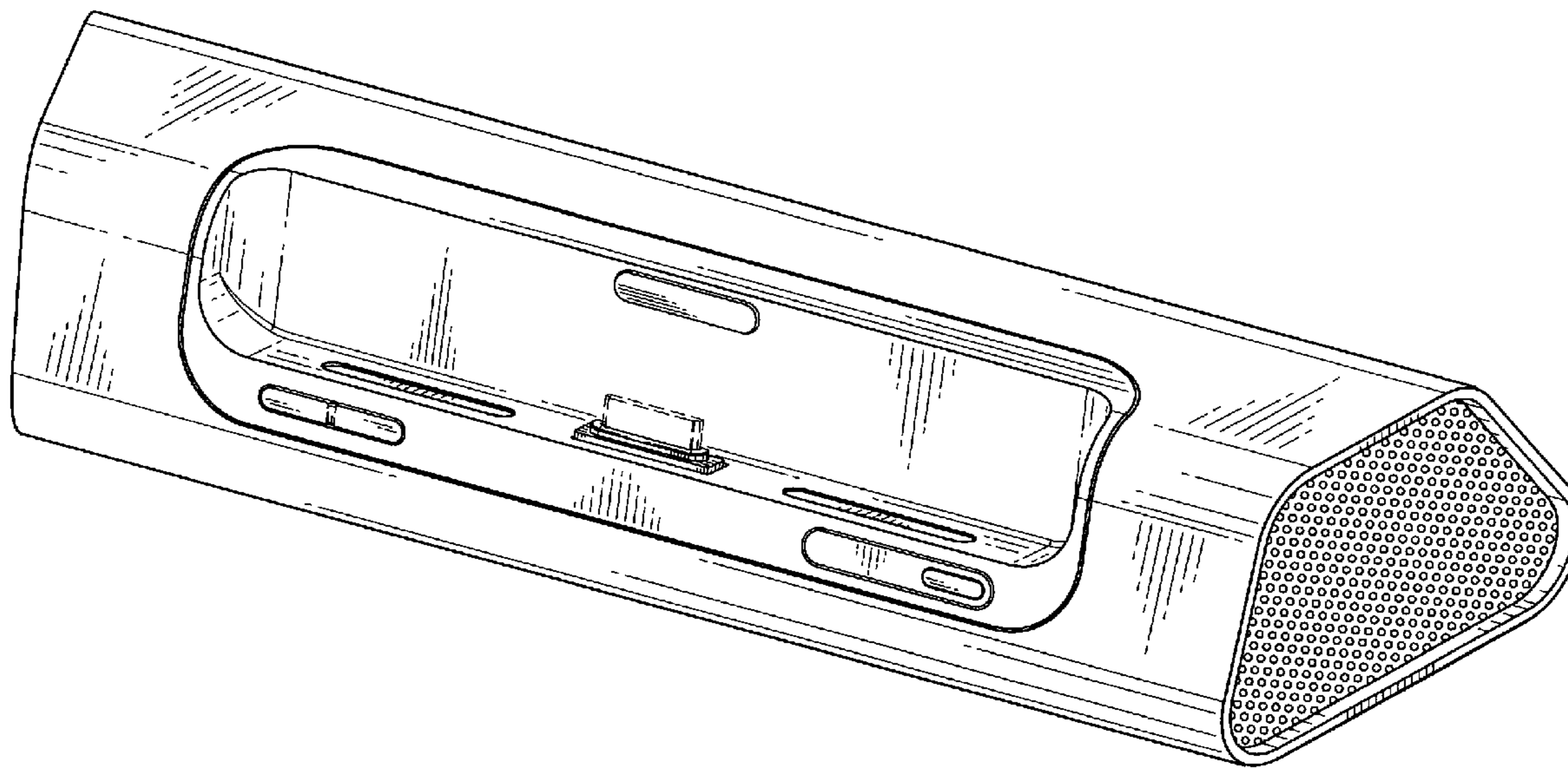
*Primary Examiner* — Nanda Bondade  
(74) *Attorney, Agent, or Firm* — Ostrolenk Faber LLP

(57) **CLAIM**  
The ornamental design for a large screen media player charging speaker system, as shown and described.

**DESCRIPTION**

FIG. 1 is a top, front, perspective view of a large screen media player charging speaker system showing my new design; FIG. 2 is a front view thereof; FIG. 3 is a rear view thereof; FIG. 4 is a top view thereof; FIG. 5 is a bottom view thereof; FIG. 6 is a side view thereof, the opposite side view being a mirror image; FIG. 7 is a cross-sectional view along line 7—7 in FIG. 2; and, FIG. 8 is a cross-sectional view along line 8—8 in FIG. 2. The broken lines in the drawings illustrate environmental material that forms no part of the claimed design.

**1 Claim, 8 Drawing Sheets**



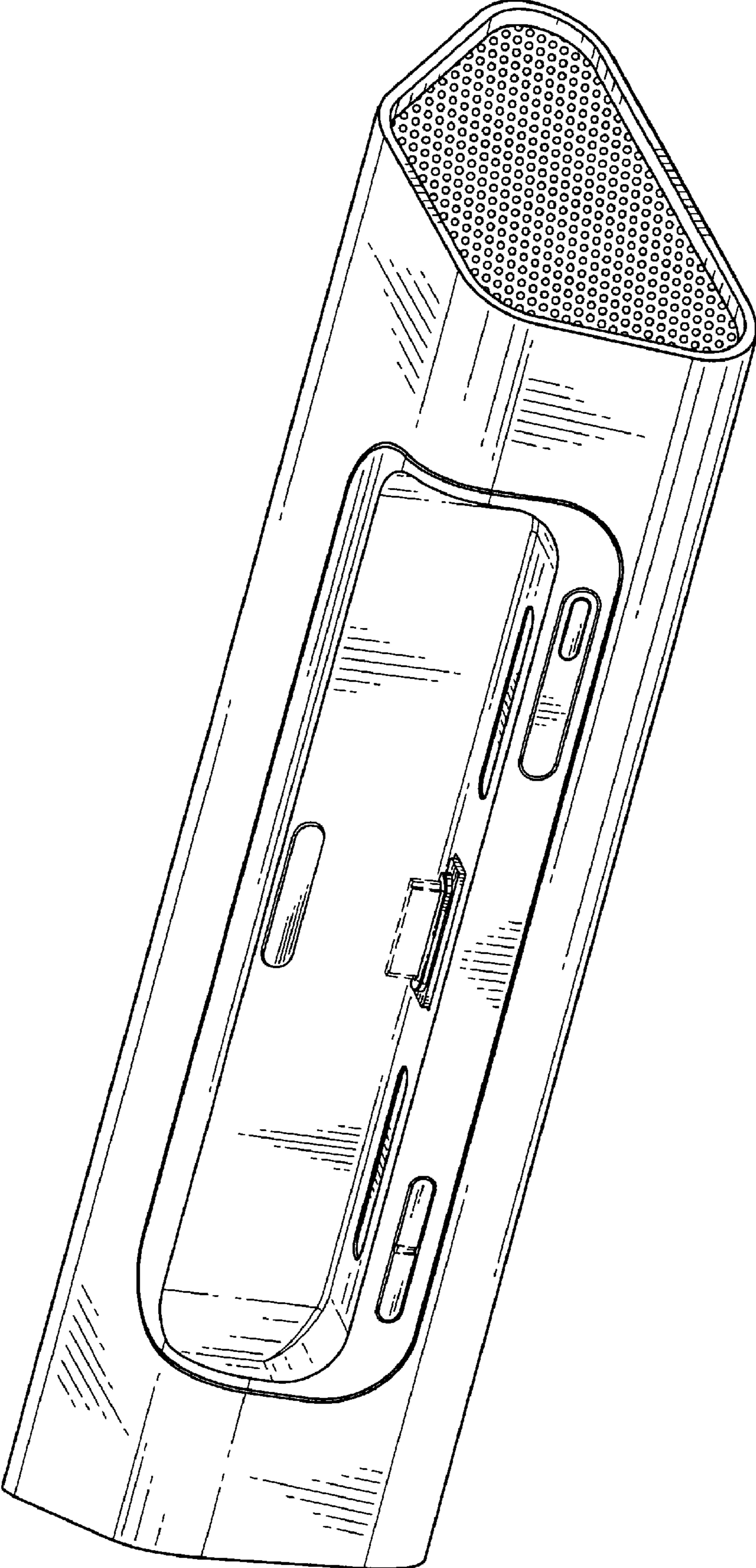


FIG. 1

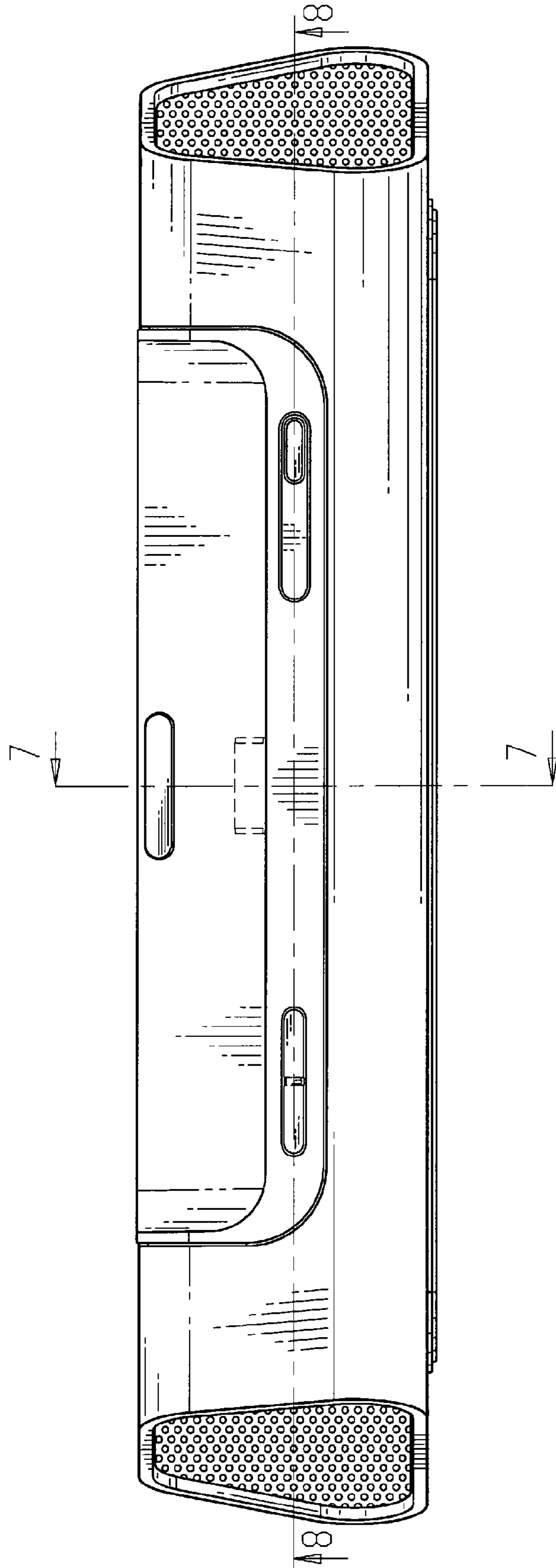


FIG. 2

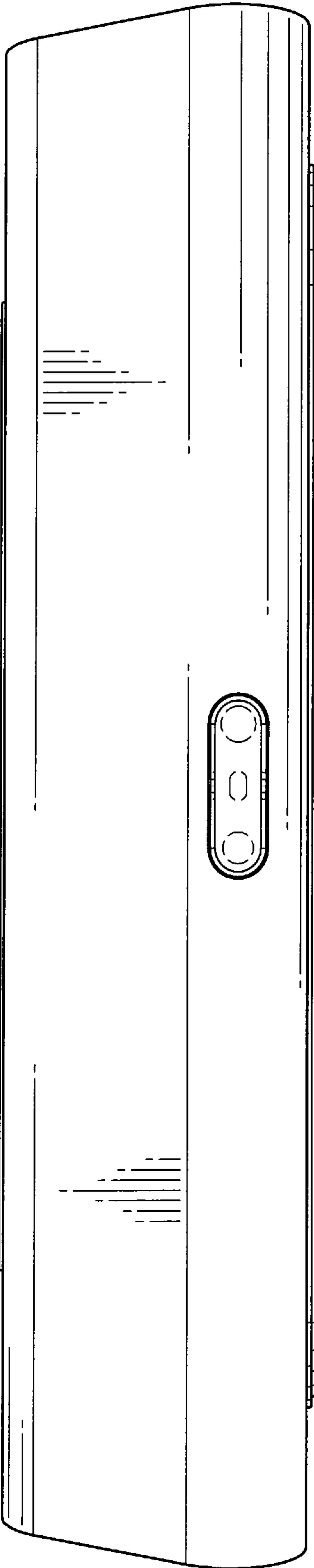


FIG. 3

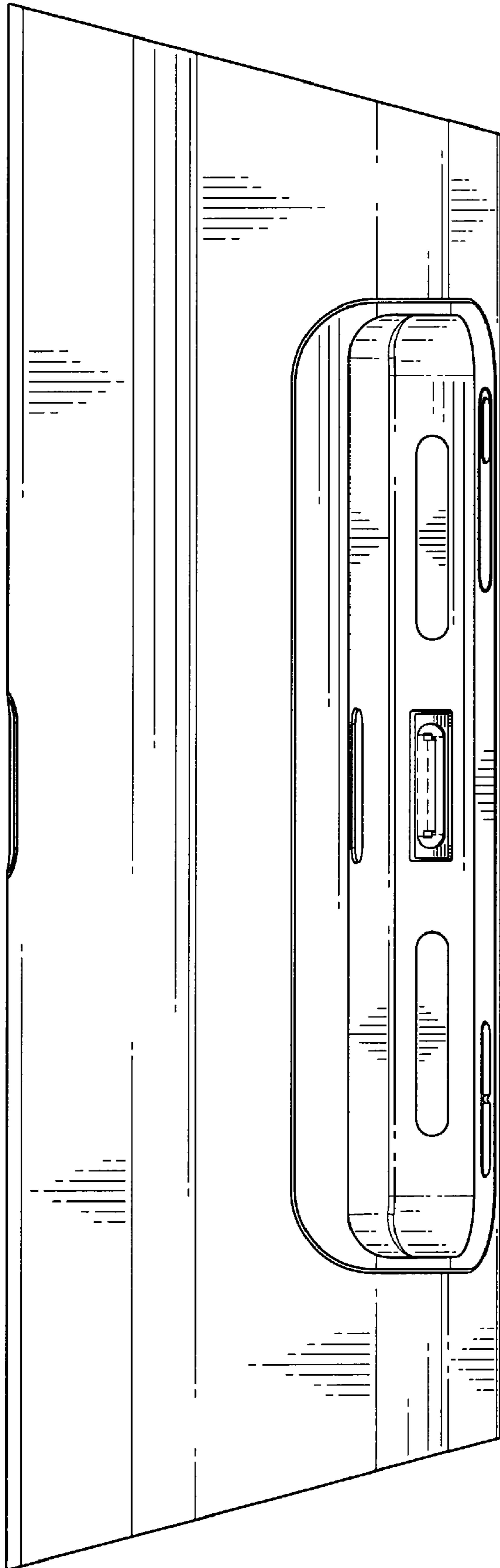


FIG. 4

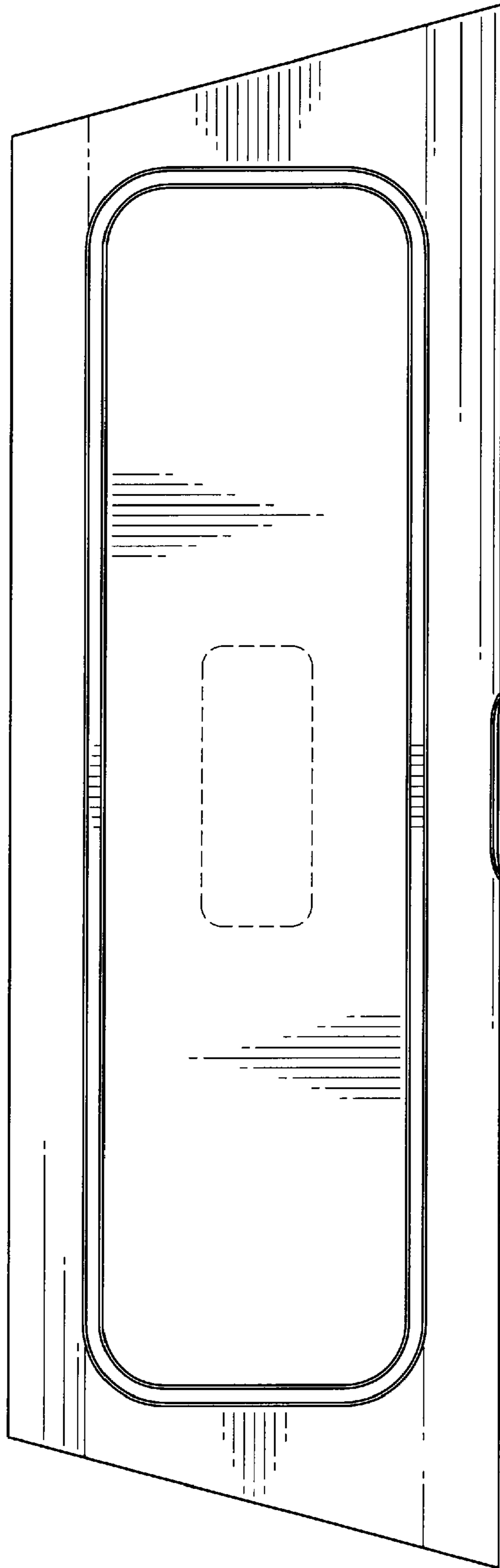


FIG. 5



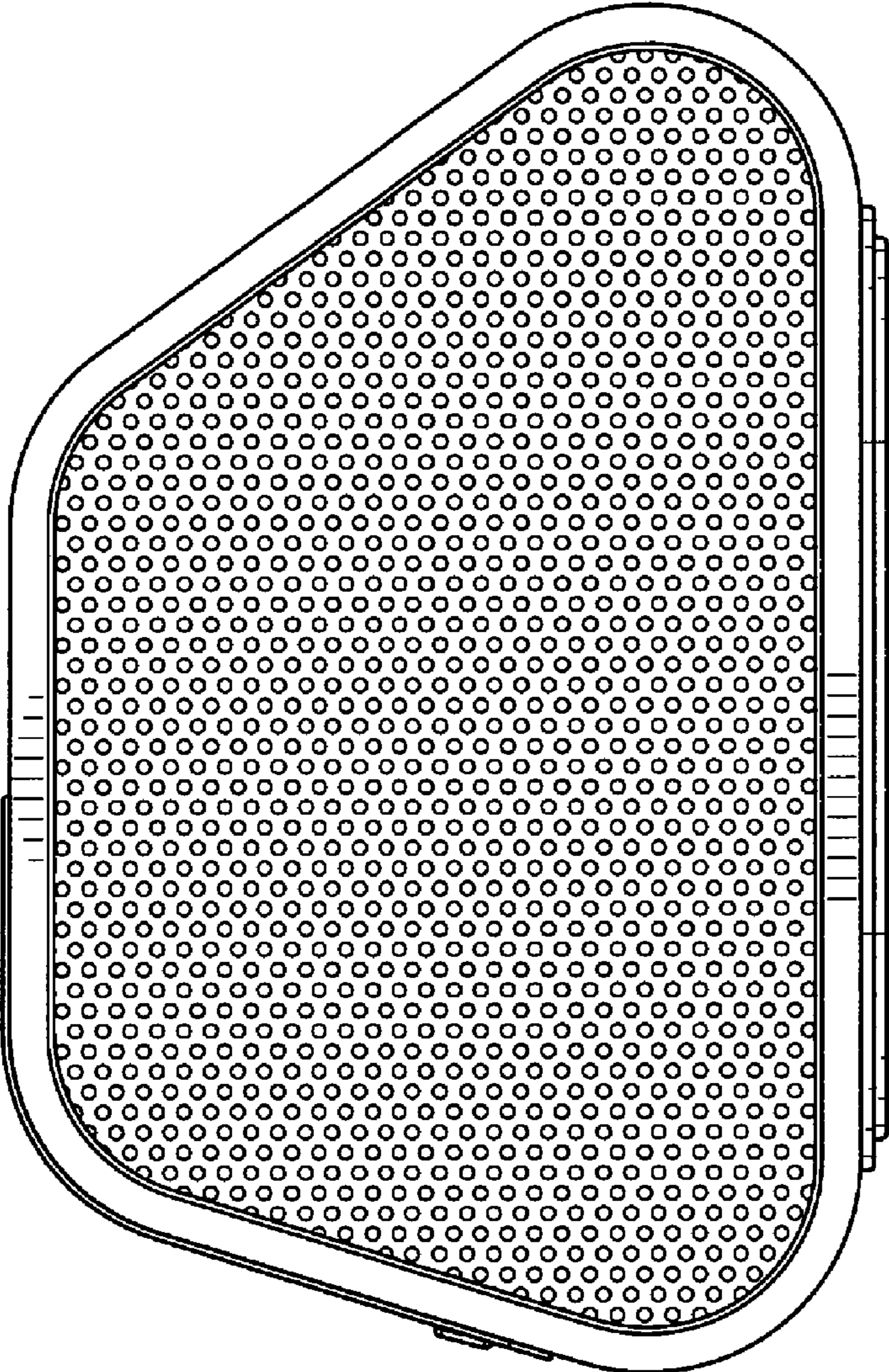


FIG. 6

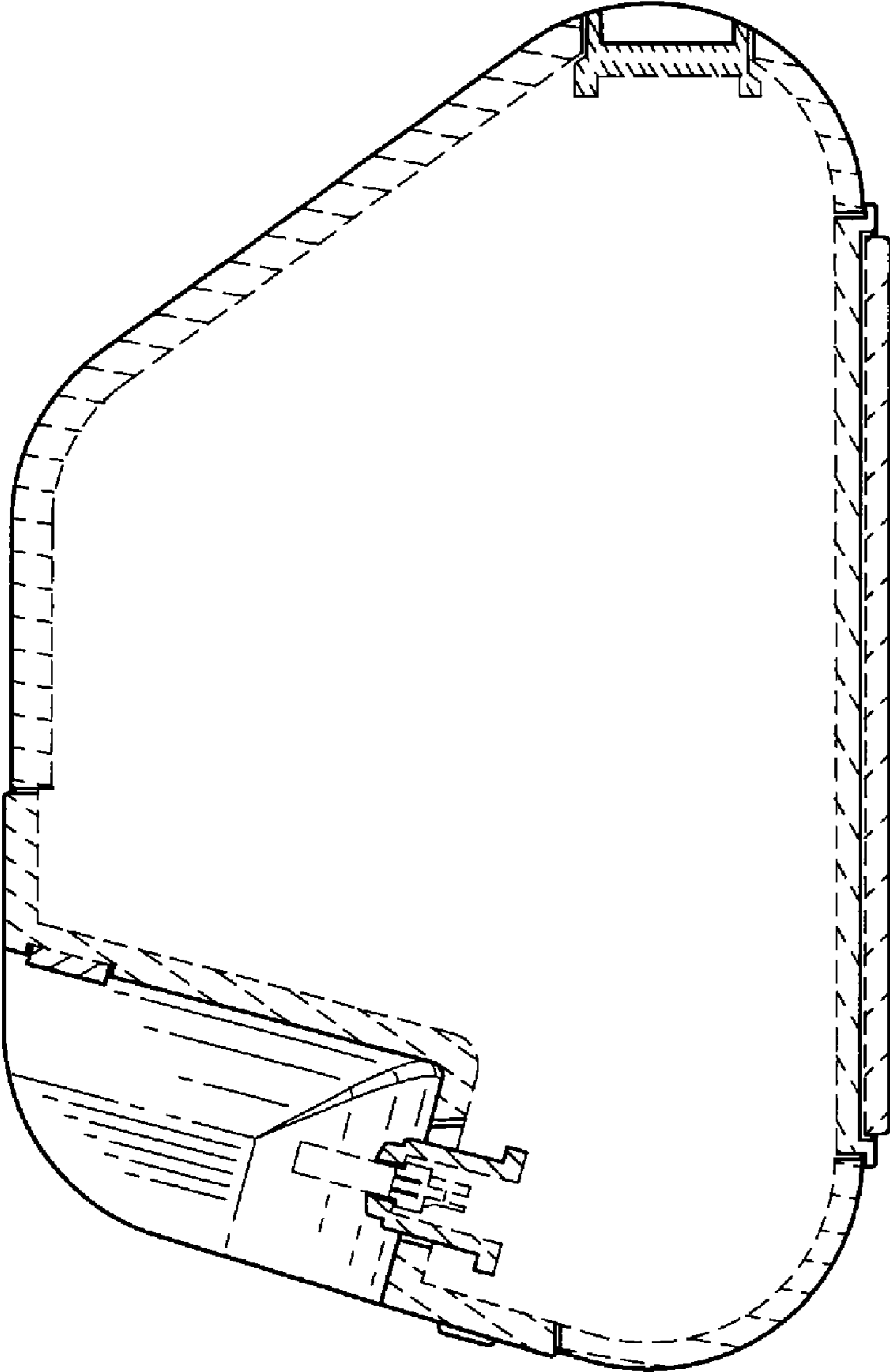


FIG. 7



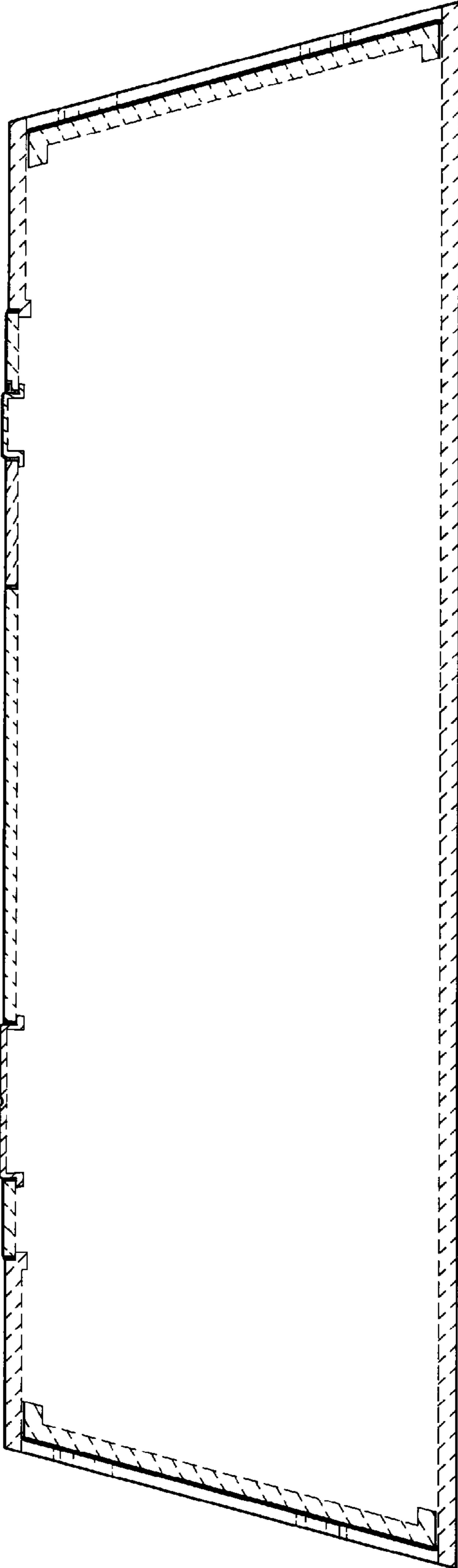


FIG. 8